



US00D850037S

(12) **United States Design Patent**
Szymanski

(10) **Patent No.:** **US D850,037 S**

(45) **Date of Patent:** **** May 28, 2019**

- (54) **HAND HELD SWEEPER**
- (71) Applicant: **Evo Design LLC**, Watertown, CT (US)
- (72) Inventor: **Aaron Szymanski**, Watertown, CT (US)
- (73) Assignee: **EVO DESIGN LLC**, Watertown, CT (US)

- 2005/0011028 A1* 1/2005 Chow A47L 11/24 15/41.1
- 2005/0066467 A1* 3/2005 Moshenrose A47L 9/0422 15/246.2
- 2005/0155169 A1* 7/2005 Cheah A47L 9/0411 15/42
- 2009/0077761 A1* 3/2009 Kaleta A47L 11/33 15/88.4
- 2011/0138570 A1* 6/2011 Hsu A47L 7/02 15/383

(**) Term: **15 Years**

* cited by examiner

(21) Appl. No.: **29/577,149**

Primary Examiner — Michelle E. Wilson

(22) Filed: **Sep. 9, 2016**

(74) *Attorney, Agent, or Firm* — Knechtel, Demeur & Samlan

(51) **LOC (11) Cl.** **15-05**

(57) **CLAIM**

(52) **U.S. Cl.**
USPC **D32/20**

I claim the ornamental design for a hand held sweeper, as shown and described.

(58) **Field of Classification Search**
USPC D32/15-24; D4/119, 127, 128
CPC A47L 7/02; A47L 11/33; A47L 9/0411;
A47L 9/0422; A47L 11/24
See application file for complete search history.

DESCRIPTION

(56) **References Cited**

U.S. PATENT DOCUMENTS

- D170,176 S * 8/1953 Verhagen D32/20
- D180,430 S * 6/1957 Verhagen D32/20
- D191,097 S * 8/1961 Reed D32/20
- D212,859 S * 12/1968 Descarries D32/20
- D289,933 S * 5/1987 Berfield D32/20
- D497,694 S * 10/2004 Wareham D32/19
- D570,061 S * 5/2008 Busse D32/19
- 7,373,685 B2 * 5/2008 Nam A47L 5/34 15/41.1
- D704,398 S * 5/2014 Tinius D32/16
- D750,856 S * 3/2016 De Smedt D32/20

FIG. 1 is a perspective view taken from the right top front corner of the hand held sweeper showing the new design; FIG. 2 is a perspective view taken from the left top rear corner of the hand held sweeper; FIG. 3 is a front view thereof; FIG. 4 is a rear view thereof; FIG. 5 is a left side view thereof; FIG. 6 is a right side view thereof; FIG. 7 is a top plan view thereof; FIG. 8 is a bottom view thereof; and, FIG. 9 is a perspective view taken from the left bottom rear corner of the hand held sweeper. The broken lines in the drawings depict environmental subject matter only and form no part of the claimed design.

1 Claim, 5 Drawing Sheets

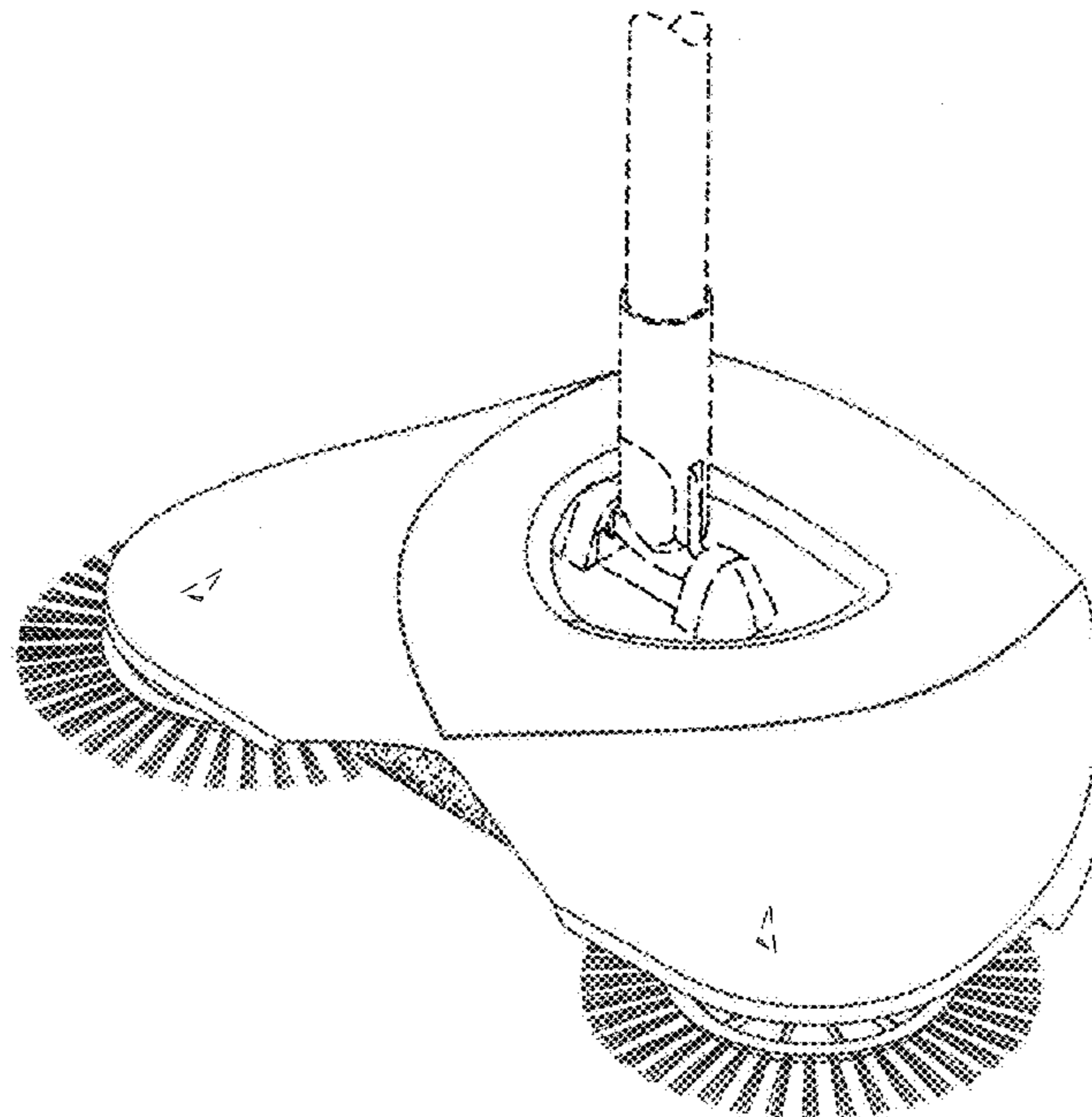


Fig. 1

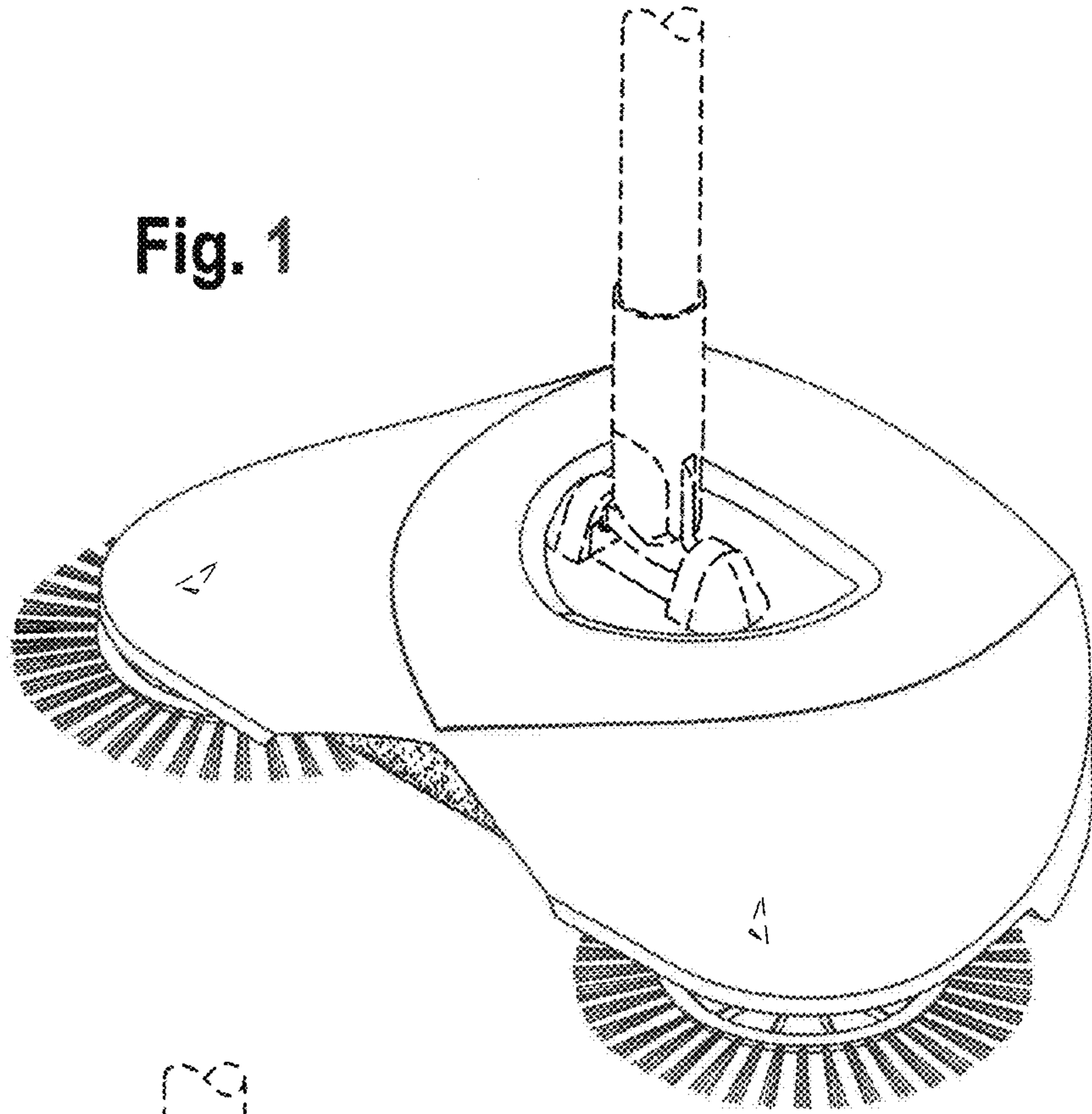


Fig. 2

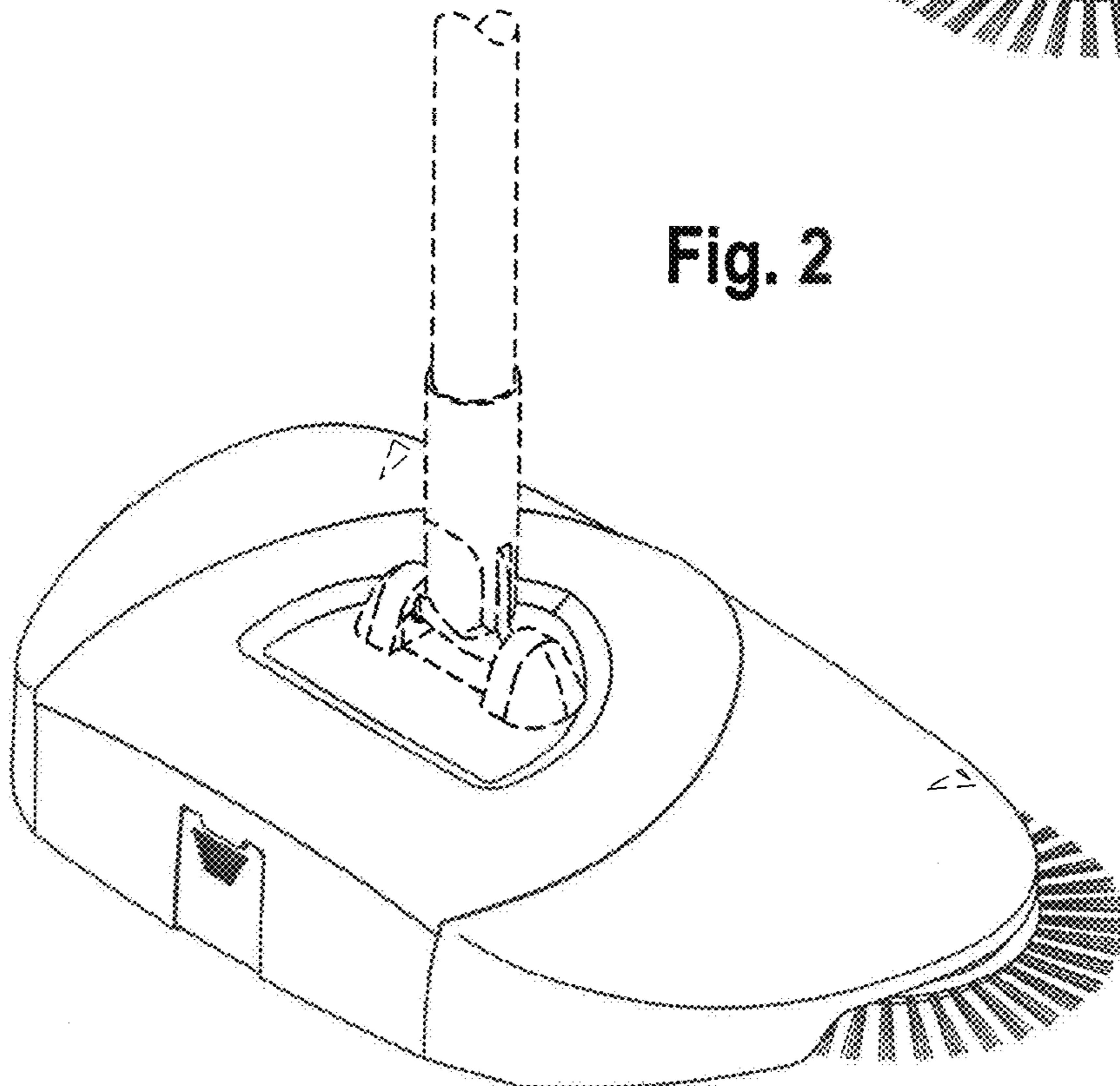


Fig. 3

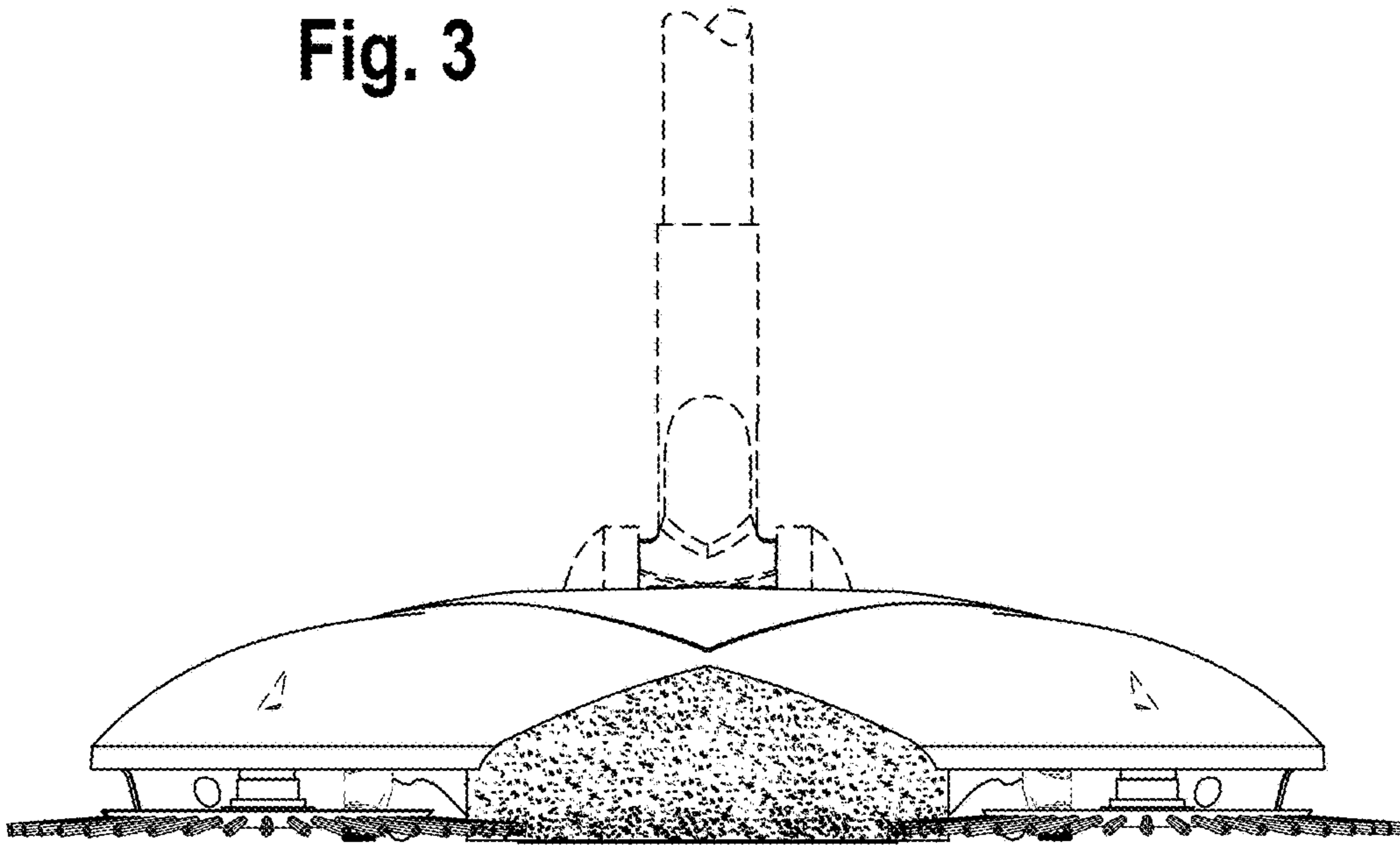


Fig. 4

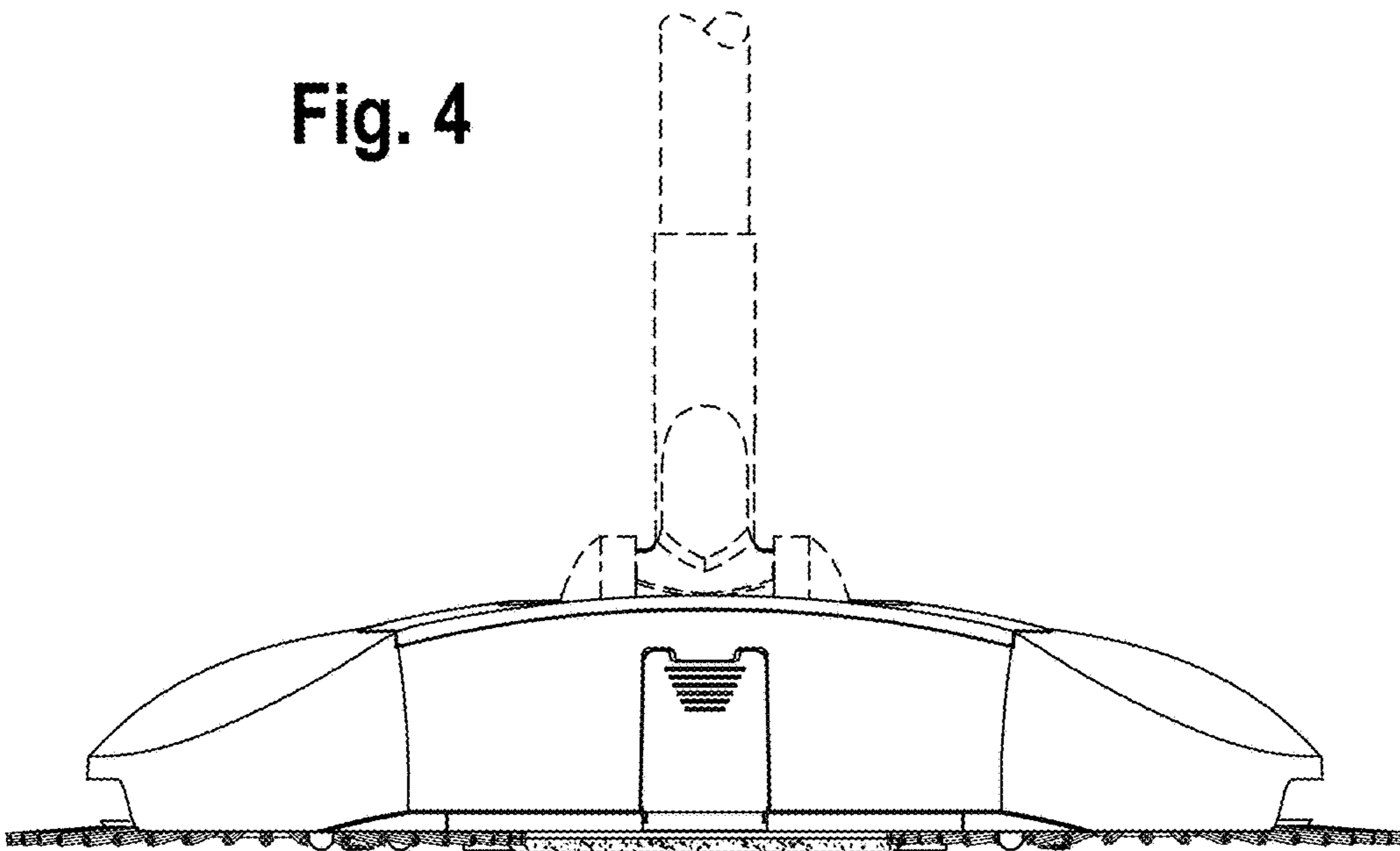


Fig. 5

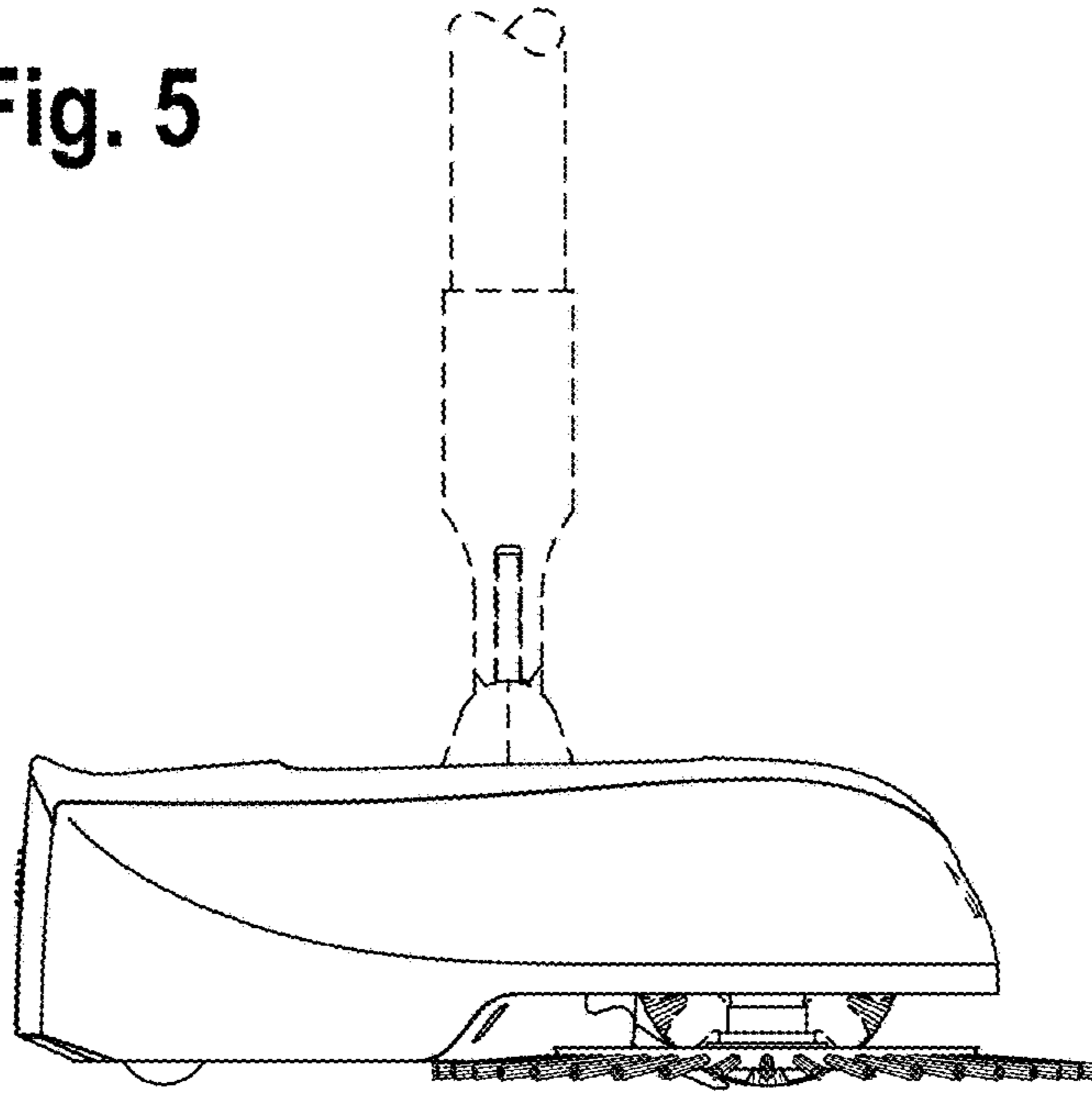


Fig. 6

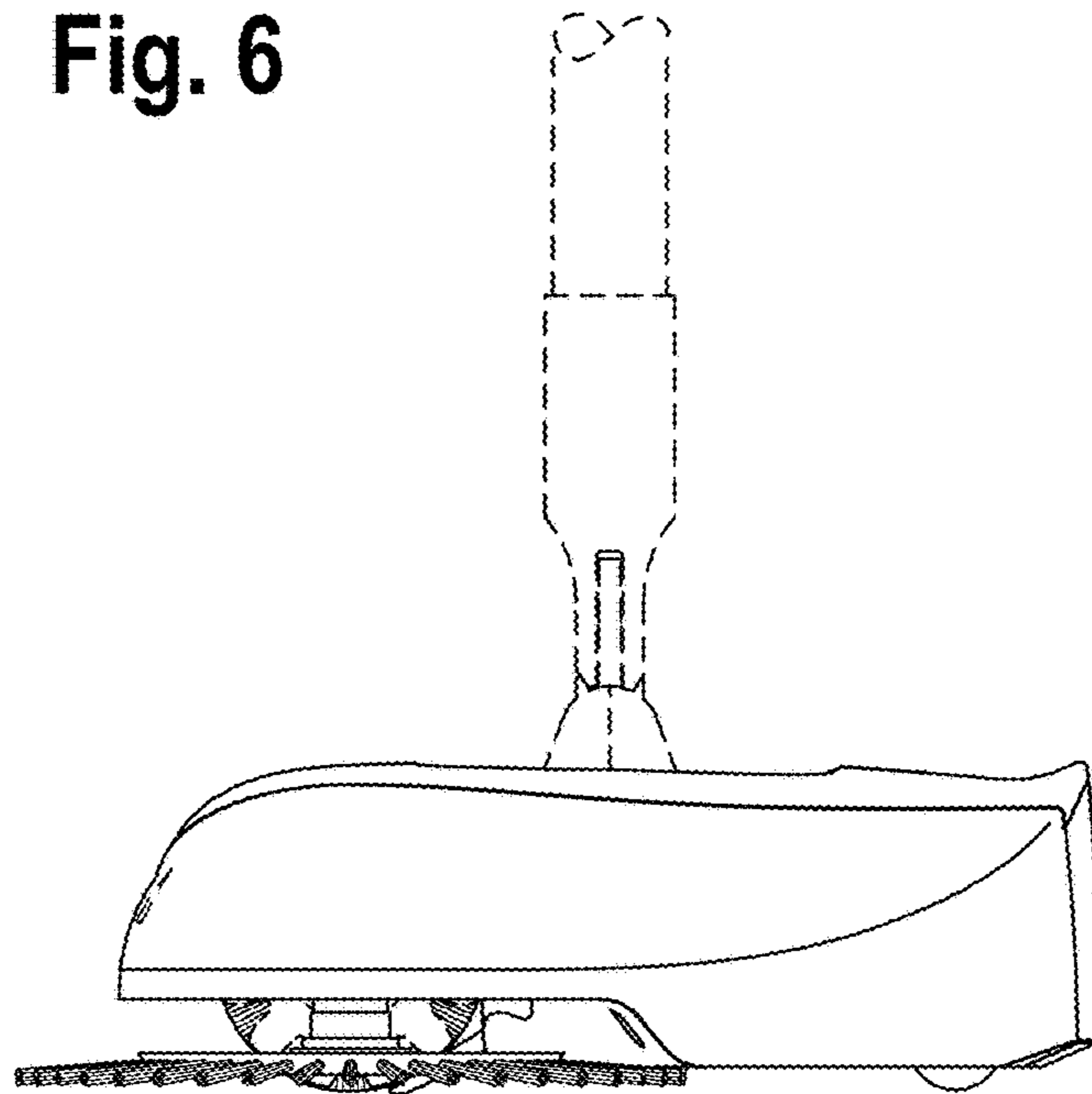


Fig. 7

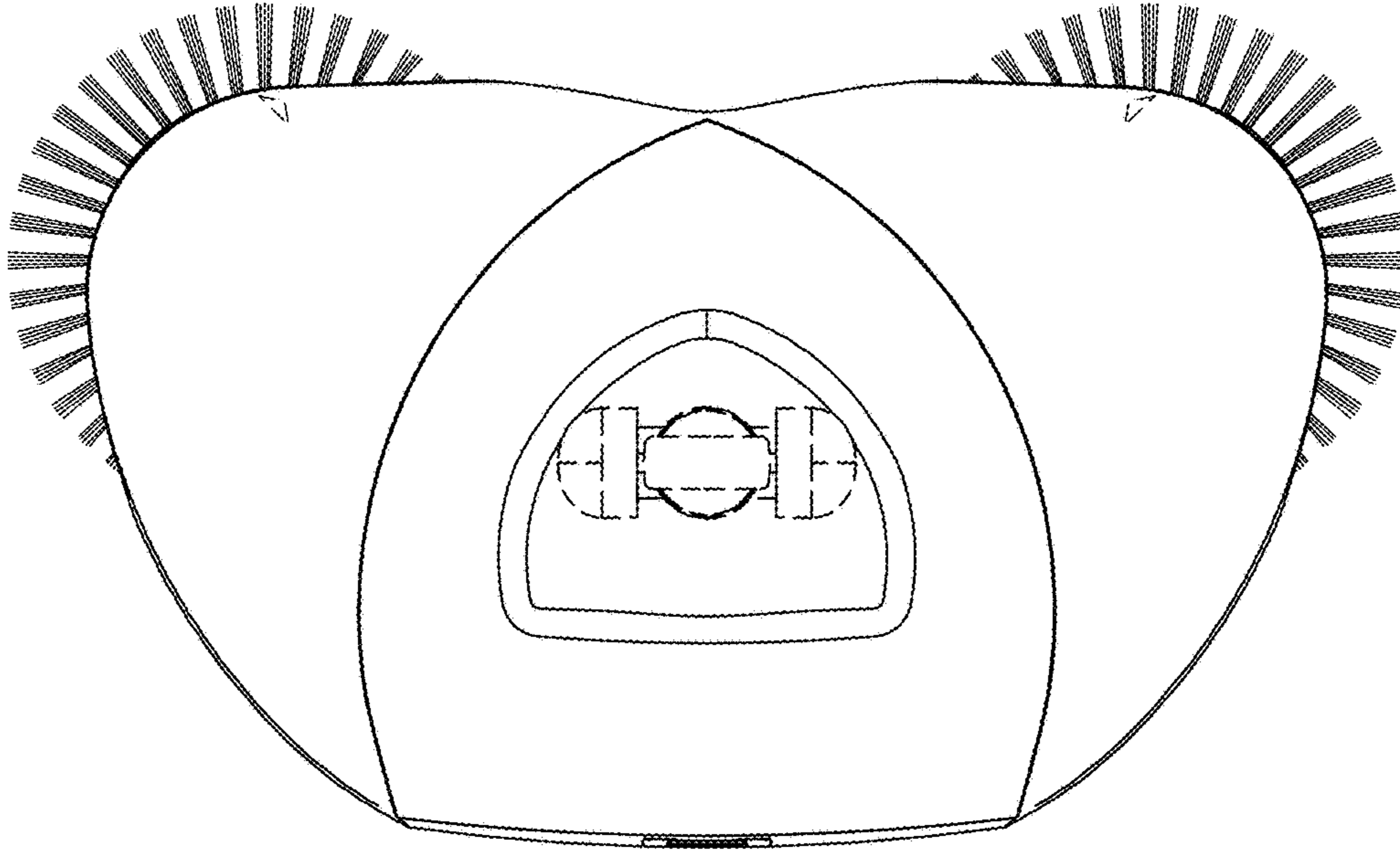


Fig. 8

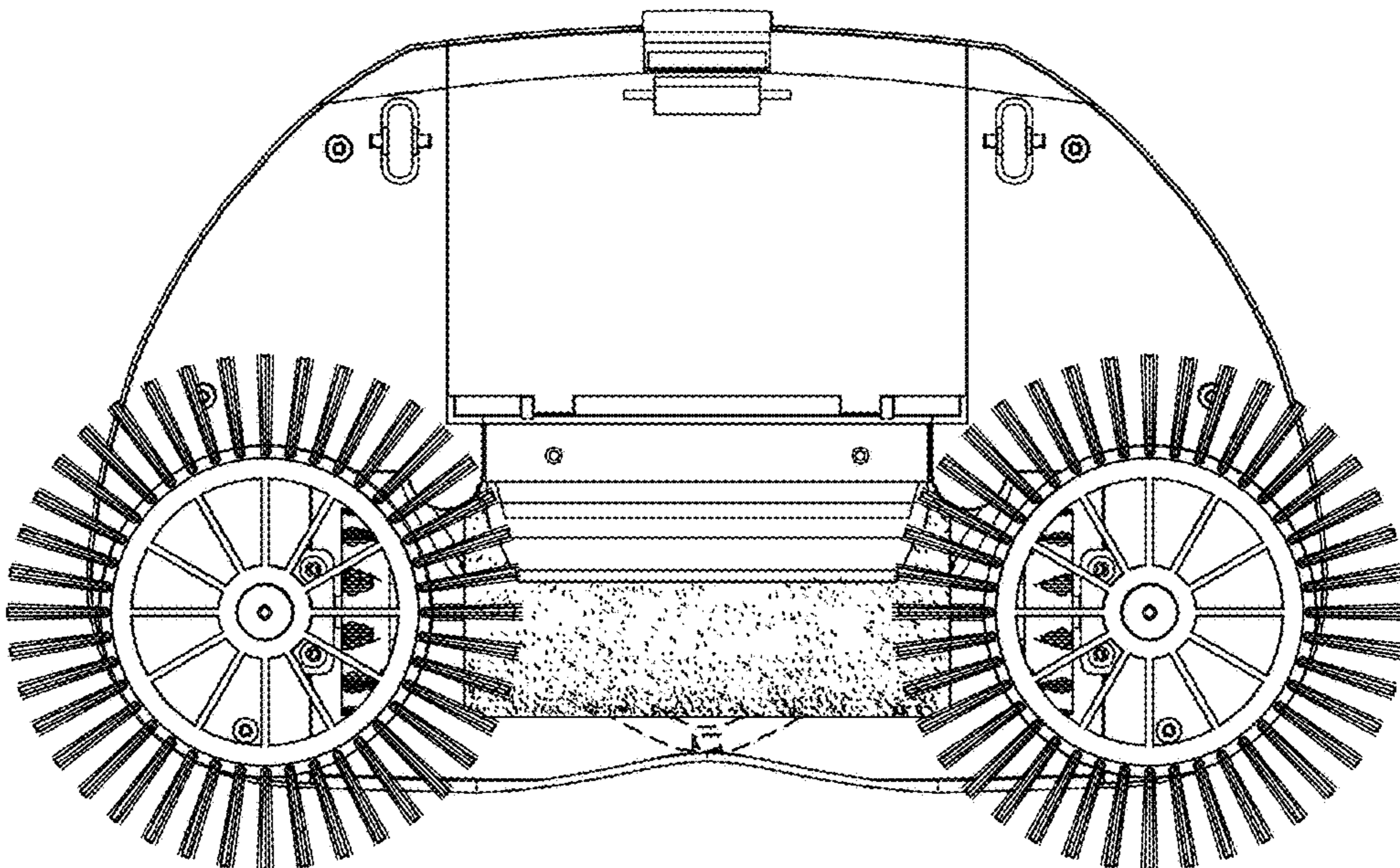


Fig. 9

