



US00D850036S

(12) **United States Design Patent**
Fan

(10) **Patent No.:** **US D850,036 S**
(45) **Date of Patent:** **** May 28, 2019**

(54) **PIPE DREDGE**

(71) Applicant: **SHANGHAI KUNJEK HANDTOOLS AND HARDWARE CO., LTD.**,
Shanghai (CN)

(72) Inventor: **Yeyi Fan**, Shanghai (CN)

(73) Assignee: **SHANGHAI KUNJEK HANDTOOLS AND HARDWARE CO., LTD.**,
Shanghai (CN)

(**) Term: **15 Years**

(21) Appl. No.: **29/615,620**

(22) Filed: **Aug. 30, 2017**

(30) **Foreign Application Priority Data**

Mar. 3, 2017 (CN) 2017 3 0059732

(51) **LOC (11) Cl.** **15-05**

(52) **U.S. Cl.**
USPC **D32/14**

(58) **Field of Classification Search**
USPC D32/1, 14, 25, 34, 35; D23/223, 224;
D6/524; D28/7; 4/255.05, 255.01,
4/255.12, 255.09, 255.11; 15/406,
15/104.05, 104.31, 104.32, 104.33;
D8/51, 70, 309, 359, 349, 356, 358
CPC .. E03D 9/00; E03C 1/30; E03C 1/308; A47K
11/10; E03F 9/005; B08B 9/045
See application file for complete search history.

(56) **References Cited**

U.S. PATENT DOCUMENTS

D100,925 S * 8/1936 Reom D15/78
D274,884 S * 7/1984 Freitag D8/359
D282,356 S * 1/1986 Schwartz 379/420.01
D422,227 S * 4/2000 Lin D10/72
D474,397 S * 5/2003 Plummer D8/359
D475,609 S * 6/2003 Lin D8/359

D595,121 S * 6/2009 Murphy D8/358
D666,080 S * 8/2012 Boehler D8/359
D755,726 S * 5/2016 Michas D13/153
D787,921 S * 5/2017 Vanttilä et al. D8/359

FOREIGN PATENT DOCUMENTS

CN 304216162 * 7/2017
CN 304291047 * 9/2017

OTHER PUBLICATIONS

Encased Sink Cleaner posted by Brasscraft posted date unknown, © Amazon, [online], [site visited Nov. 7, 2018]. Available from Internet, <https://www.amazon.com/Brasscraft-20-Encased-Sink-Cleaner> (Year: 2018).*

Encased Sink Cleaner posted by Husky posted date unknown, © Amazon, [online], [site visited Nov. 7, 2018]. Available from Internet, <https://www.amazon.com/Husky-ft-Encased-Sink-Cleaner/dp/B079J58RQ1> (Year: 2018).*

* cited by examiner

Primary Examiner — Cynthia Ramirez

Assistant Examiner — Laura H Yu

(74) *Attorney, Agent, or Firm* — Muncy, Geissler, Olds & Lowe, P.C.

(57) **CLAIM**

The ornamental design for a pipe dredge, as shown and described.

DESCRIPTION

FIG. 1 is a perspective view of a pipe dredge showing my new design;

FIG. 2 is a front elevational view thereof;

FIG. 3 is a rear elevational view thereof;

FIG. 4 is a left side view thereof;

FIG. 5 is a right side view thereof;

FIG. 6 is a top plan view thereof; and,

FIG. 7 is a bottom plan view thereof.

1 Claim, 7 Drawing Sheets

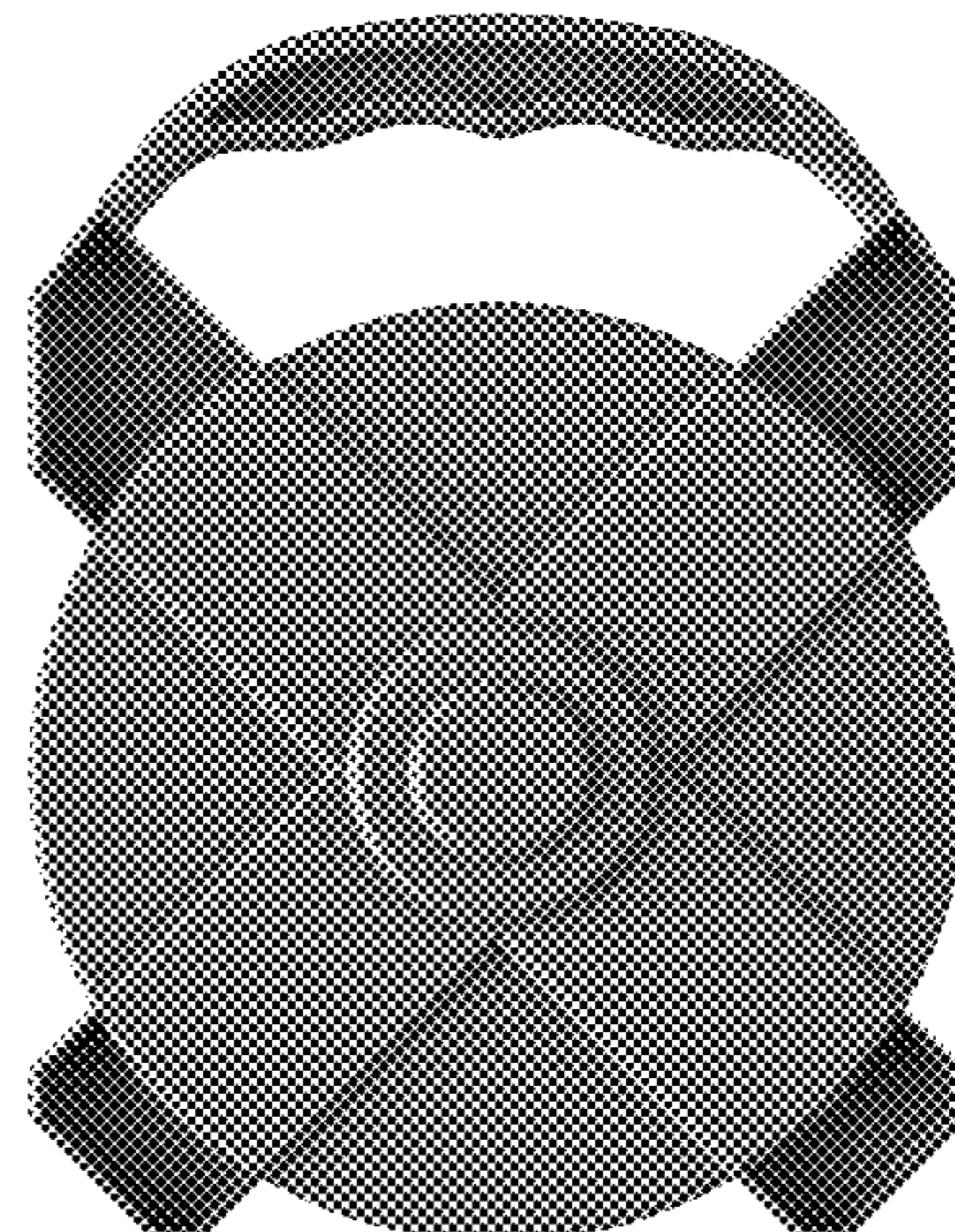
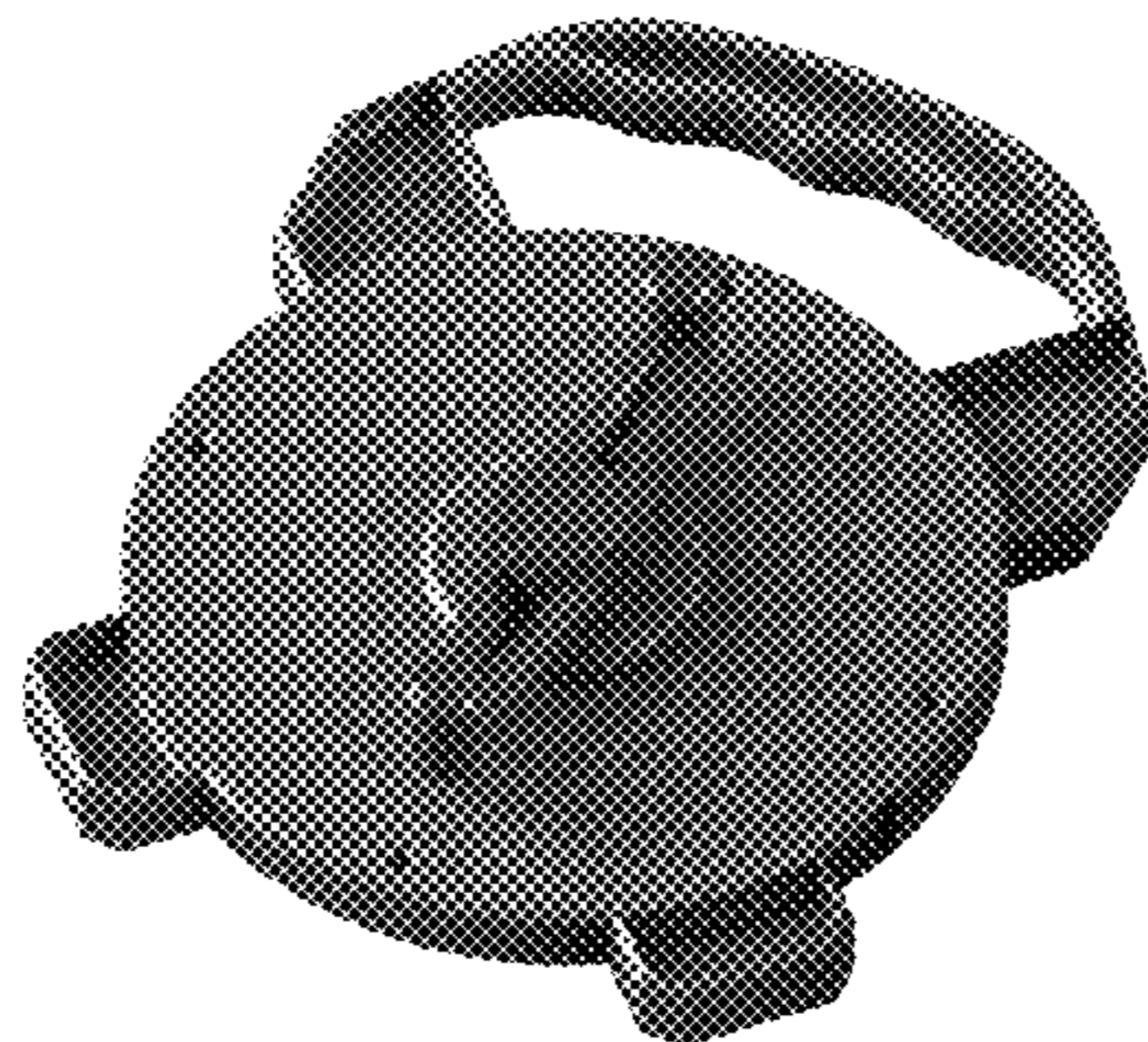




Fig. 1

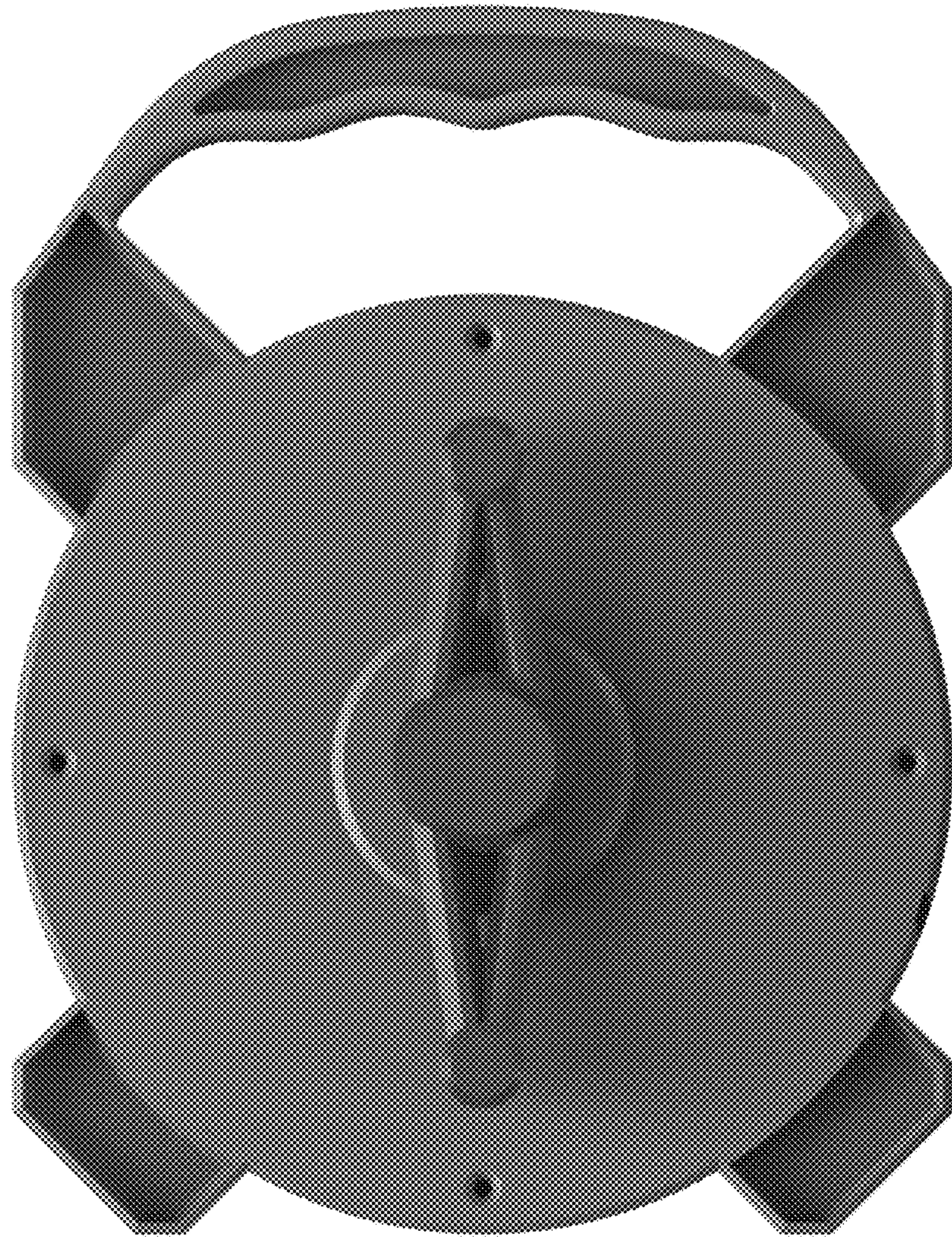


Fig. 2

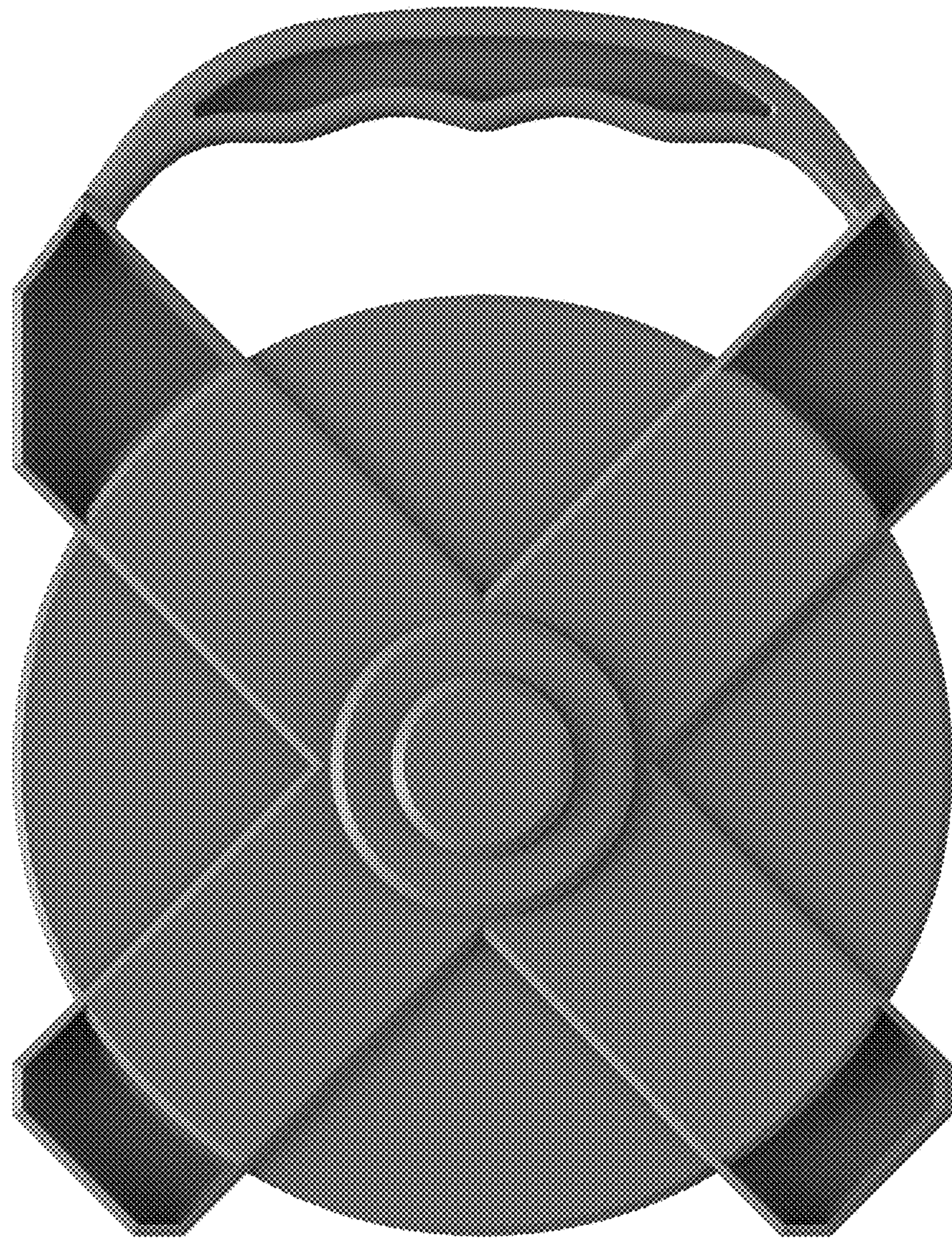


Fig. 3

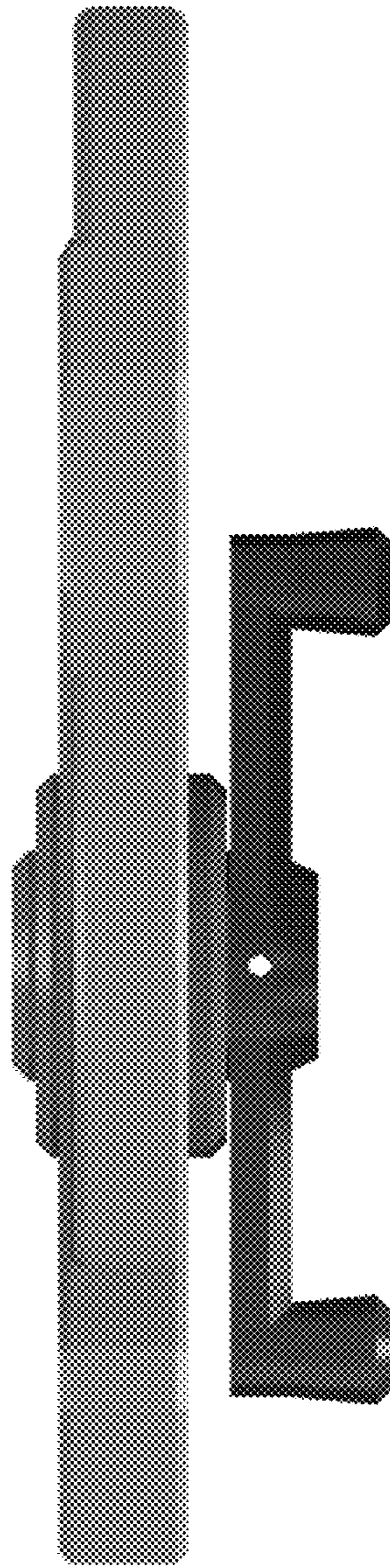


Fig. 4

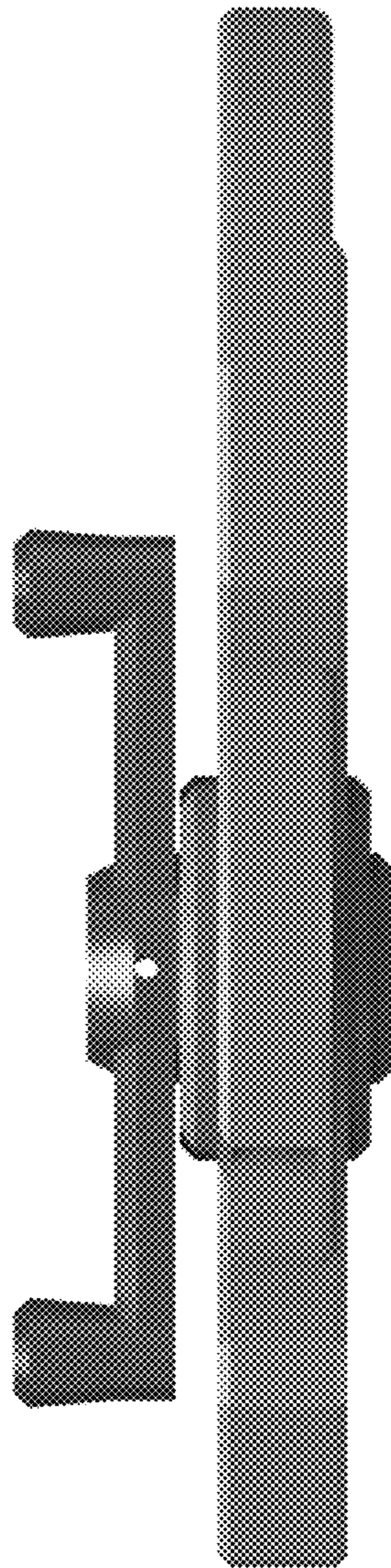


Fig. 5

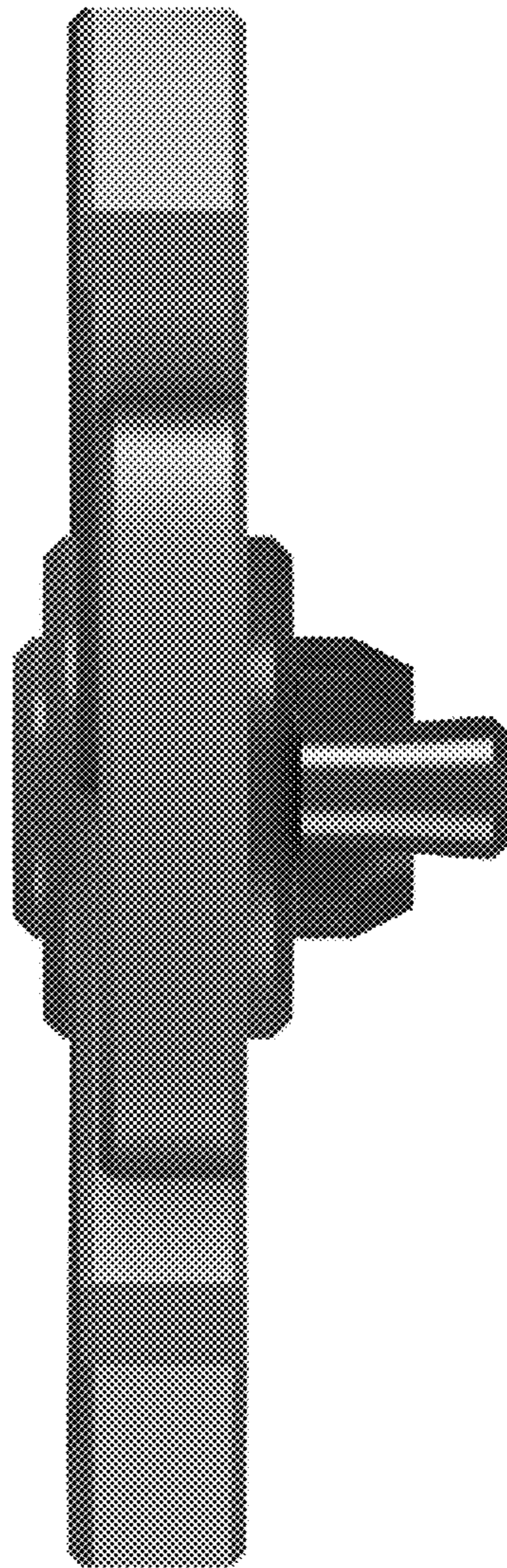


Fig. 6

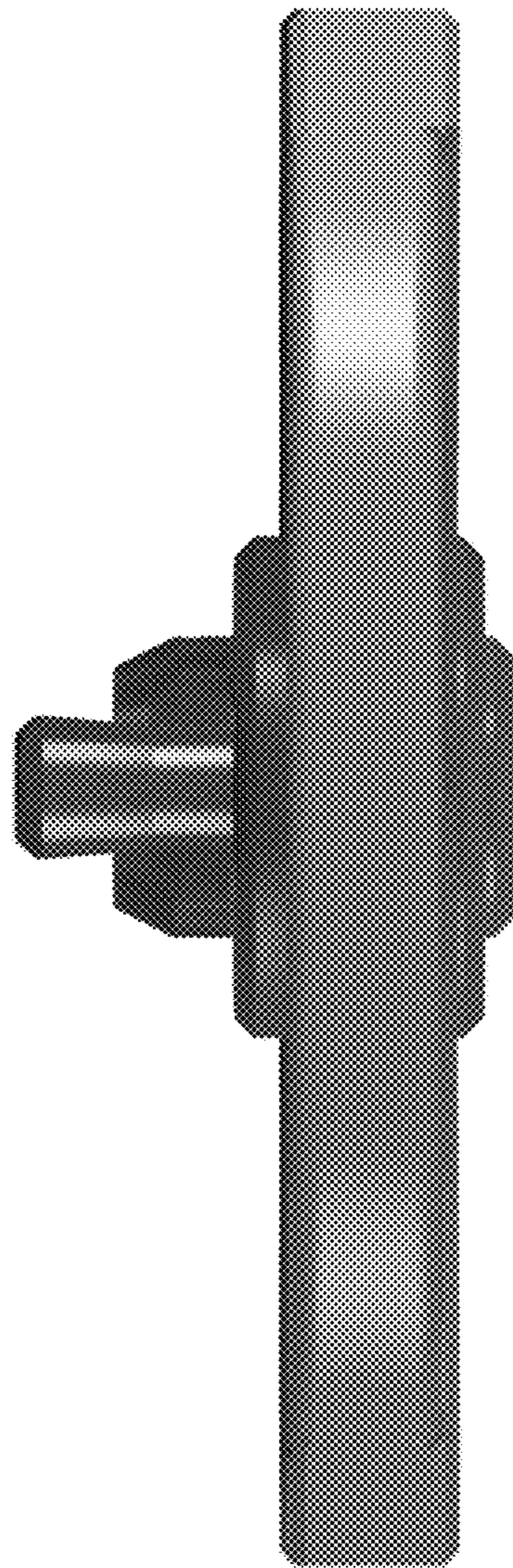


Fig. 7