



US00D850034S

(12) **United States Design Patent** (10) **Patent No.:** **US D850,034 S**  
**Yoon et al.** (45) **Date of Patent:** **\*\* May 28, 2019**

(54) **WASHING MACHINE**  
(71) Applicant: **SAMSUNG ELECTRONICS CO., LTD.**, Suwon-si, Gyeonggi-do (KR)  
(72) Inventors: **Sanghun Yoon**, Seoul (KR); **Yuna Park**, Seoul (KR); **Myunggyu Kim**, Seoul (KR); **Ahjung Joo**, Seoul (KR)  
(73) Assignee: **SAMSUNG ELECTRONICS CO., LTD.**, Gyeonggi-Do (KR)  
(\*\*) Term: **15 Years**

D465,308 S \* 11/2002 Resuello ..... D32/6  
D470,632 S 2/2003 Oda  
D489,496 S 5/2004 Sneddon  
D491,324 S 6/2004 Kim et al.  
D492,073 S 6/2004 Sneddon  
D516,258 S 2/2006 Matsusaki et al.  
D517,257 S 3/2006 Kim et al.  
D519,692 S 4/2006 Jun  
D524,000 S 6/2006 Kim et al.  
D526,453 S 8/2006 Jun  
D527,150 S 8/2006 Jun  
D527,853 S 9/2006 Carey et al.  
D528,712 S 9/2006 Ha et al.  
D528,713 S 9/2006 Ha et al.  
D532,941 S 11/2006 Carey et al.  
D536,144 S \* 1/2007 Seo ..... D32/6

(21) Appl. No.: **29/590,835**

(22) Filed: **Jan. 13, 2017**

(30) **Foreign Application Priority Data**

Nov. 29, 2016 (KR) ..... 30-2016-0057634

(51) **LOC (11) Cl.** ..... **15-05**

(52) **U.S. Cl.**  
USPC ..... **D32/6**

(58) **Field of Classification Search**  
USPC ..... D32/1, 5, 6, 8, 12, 25, 28, 29  
CPC .... D06F 33/02; D06F 39/02; D06F 2204/065;  
D06F 25/00; D06F 35/006; D06F 58/00;  
D06F 58/02; D06F 58/04; D06F 58/20;  
D06F 23/04; G05B 19/042  
See application file for complete search history.

(56) **References Cited**

**U.S. PATENT DOCUMENTS**

4,307,588 A 12/1981 Smith et al.  
4,429,817 A 2/1984 Ikeda  
D359,602 S 6/1995 Swartz et al.  
D360,500 S 7/1995 Millet et al.  
D374,954 S 10/1996 Katz et al.  
D380,883 S \* 7/1997 Katz ..... D32/25  
D457,991 S 5/2002 Baldwin et al.

**FOREIGN PATENT DOCUMENTS**

CN 303423821 S 10/2015  
KR 300387514 S 7/2005  
KR 300768037 S 11/2014

*Primary Examiner* — Michelle E. Wilson

(74) *Attorney, Agent, or Firm* — Cantor Colburn LLP

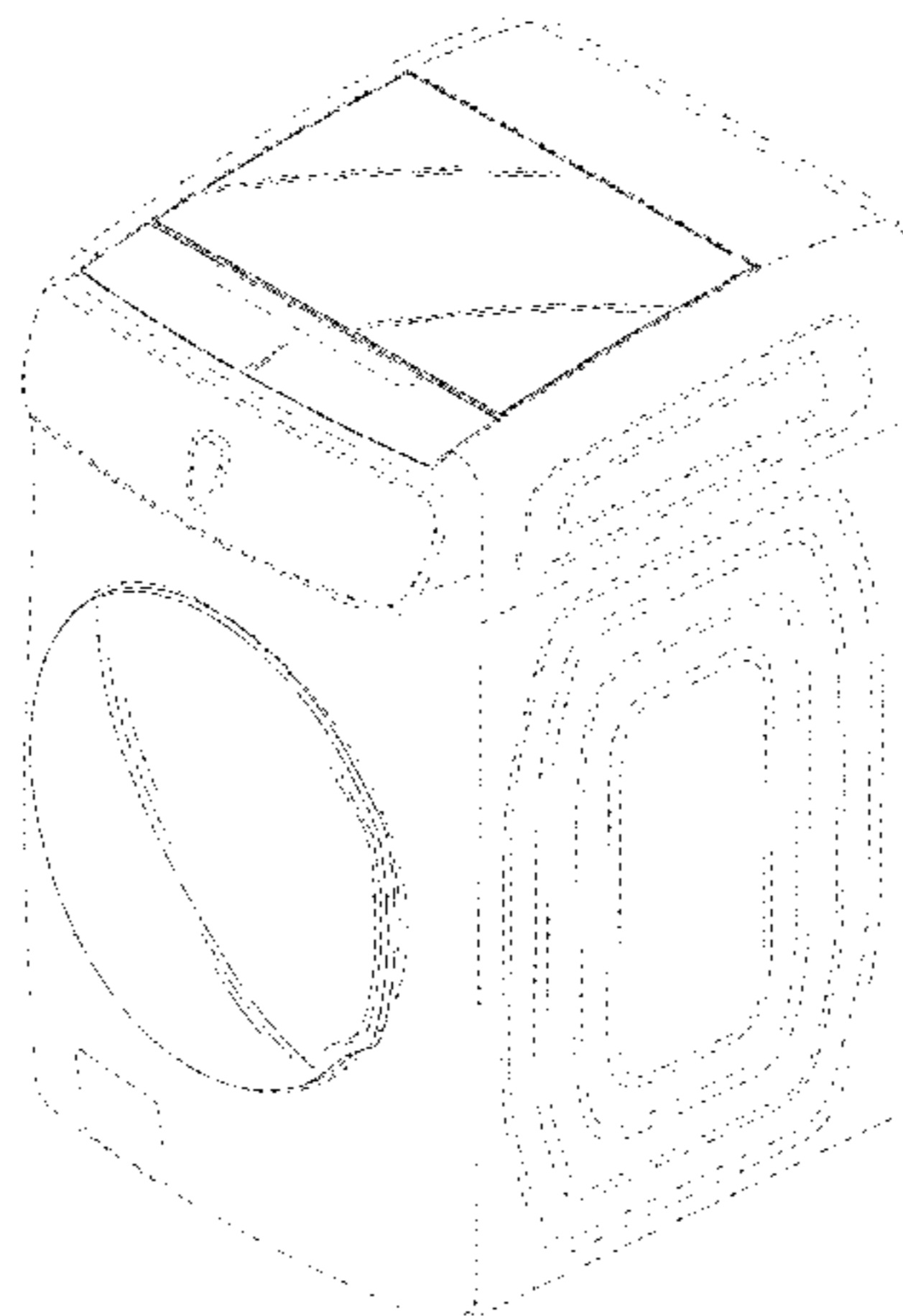
(57) **CLAIM**

We claim the ornamental design for a washing machine, as shown and described.

**DESCRIPTION**

FIG. 1 is the front perspective view of a washing machine showing our new design;  
FIG. 2 is the front view thereof;  
FIG. 3 is the rear view thereof;  
FIG. 4 is the left-side view thereof;  
FIG. 5 is the right-side view thereof;  
FIG. 6 is the top view thereof; and,  
FIG. 7 is the bottom view thereof.  
The broken lines in the figures depict environmental subject matter and form no part of the claimed design.

**1 Claim, 7 Drawing Sheets**



(56)

References Cited

U.S. PATENT DOCUMENTS

D538,488 S	3/2007	Carey et al.	
D542,487 S *	5/2007	Jun .....	D32/6
D542,986 S	5/2007	Crookshanks	
D542,987 S	5/2007	Crookshanks	
D554,307 S *	10/2007	Kim .....	D32/6
D556,394 S *	11/2007	Kim .....	D32/6
D571,964 S *	6/2008	Kim .....	D32/6
D575,012 S	8/2008	Rossetto et al.	
D575,464 S	8/2008	Rossetto et al.	
D575,913 S	8/2008	Jeon et al.	
D577,162 S	9/2008	Shail et al.	
D588,757 S	3/2009	Park et al.	
D597,712 S	8/2009	Jeon et al.	
D617,960 S	6/2010	Bohm et al.	
D620,650 S	7/2010	Lee	
D625,476 S	10/2010	Lee et al.	
D626,299 S	10/2010	Lee et al.	
D630,807 S	1/2011	Song et al.	
D631,215 S	1/2011	Song et al.	
D631,624 S	1/2011	Chung et al.	
D632,033 S *	2/2011	Song .....	D32/6
D633,261 S	2/2011	Song et al.	
D642,752 S	8/2011	Kim	
D642,753 S	8/2011	Ha	
D648,084 S	11/2011	Browne et al.	
D648,085 S	11/2011	Miller et al.	
D648,497 S	11/2011	Bhattacharya	
D648,907 S	11/2011	Jeon et al.	
D649,722 S	11/2011	Chung et al.	
D653,006 S	1/2012	Takahashi	
D654,640 S	2/2012	Song et al.	
D658,340 S	4/2012	Jeon et al.	
D659,307 S	5/2012	Geyer et al.	
D661,852 S	6/2012	Song et al.	
D663,907 S *	7/2012	Jeon .....	D32/6
D665,544 S	8/2012	Jeon et al.	
D667,179 S	9/2012	Jeon et al.	
D679,462 S	4/2013	Zhang et al.	
D693,973 S	11/2013	Geyer et al.	
D694,965 S *	12/2013	Lee .....	D32/6
D695,474 S	12/2013	Calmeise	
D697,680 S	1/2014	Hwang et al.	
D699,907 S	2/2014	Choi et al.	
D701,656 S *	3/2014	Choi .....	D32/6
D701,657 S	3/2014	Chung et al.	
D701,658 S	3/2014	Chung et al.	
D703,885 S	4/2014	Ha et al.	
D703,886 S	4/2014	Ha et al.	
D705,508 S	5/2014	Calmeise	
D712,603 S	9/2014	Geyer et al.	
D729,996 S	5/2015	Hwang et al.	
D729,998 S	5/2015	Jeon et al.	
D730,596 S	5/2015	Kim et al.	
D732,763 S	6/2015	Hwang et al.	
D732,767 S	6/2015	Ha et al.	
D733,372 S *	6/2015	Song .....	D32/6
D739,096 S *	9/2015	Qin .....	D32/6
D739,097 S	9/2015	Qin et al.	
D742,602 S	11/2015	Kim	
D746,521 S	12/2015	Ha et al.	
D747,836 S	1/2016	Cho et al.	
D752,830 S	3/2016	Choi et al.	
D759,325 S *	6/2016	Jeon .....	D32/6
D759,909 S	6/2016	Kim et al.	
D760,454 S *	6/2016	Joo .....	D32/6
D762,021 S *	7/2016	Qin .....	D32/6
D762,025 S *	7/2016	Joo .....	D32/6
D764,120 S *	8/2016	Choi .....	D32/6
D764,121 S *	8/2016	Choi .....	D32/6
D764,122 S *	8/2016	Jo .....	D32/6
D764,123 S *	8/2016	Kim .....	D32/6
D764,722 S	8/2016	Jo	
D769,553 S	10/2016	Lee	
D770,103 S	10/2016	Ha et al.	
D770,698 S	11/2016	Lee et al.	
D770,705 S	11/2016	Kang et al.	
D770,706 S	11/2016	Ha et al.	
D770,707 S	11/2016	Ha et al.	
D771,330 S	11/2016	Ha et al.	
D772,499 S	11/2016	Yoon et al.	
D772,500 S	11/2016	Park et al.	
D772,502 S	11/2016	Choi et al.	
D773,128 S	11/2016	Kim et al.	
D773,753 S	12/2016	Kim et al.	
D773,754 S	12/2016	Choi et al.	
D773,755 S	12/2016	Hwang et al.	
D773,757 S	12/2016	Hwang et al.	
D774,714 S	12/2016	Kang et al.	
D774,715 S	12/2016	Kim et al.	
D774,716 S	12/2016	Kim	
D787,759 S	5/2017	Geyer et al.	
D796,752 S	9/2017	Bixby et al.	
D798,004 S	9/2017	Bixby et al.	
D800,976 S	10/2017	Im et al.	
D801,602 S	10/2017	Im et al.	

\* cited by examiner

FIG. 1

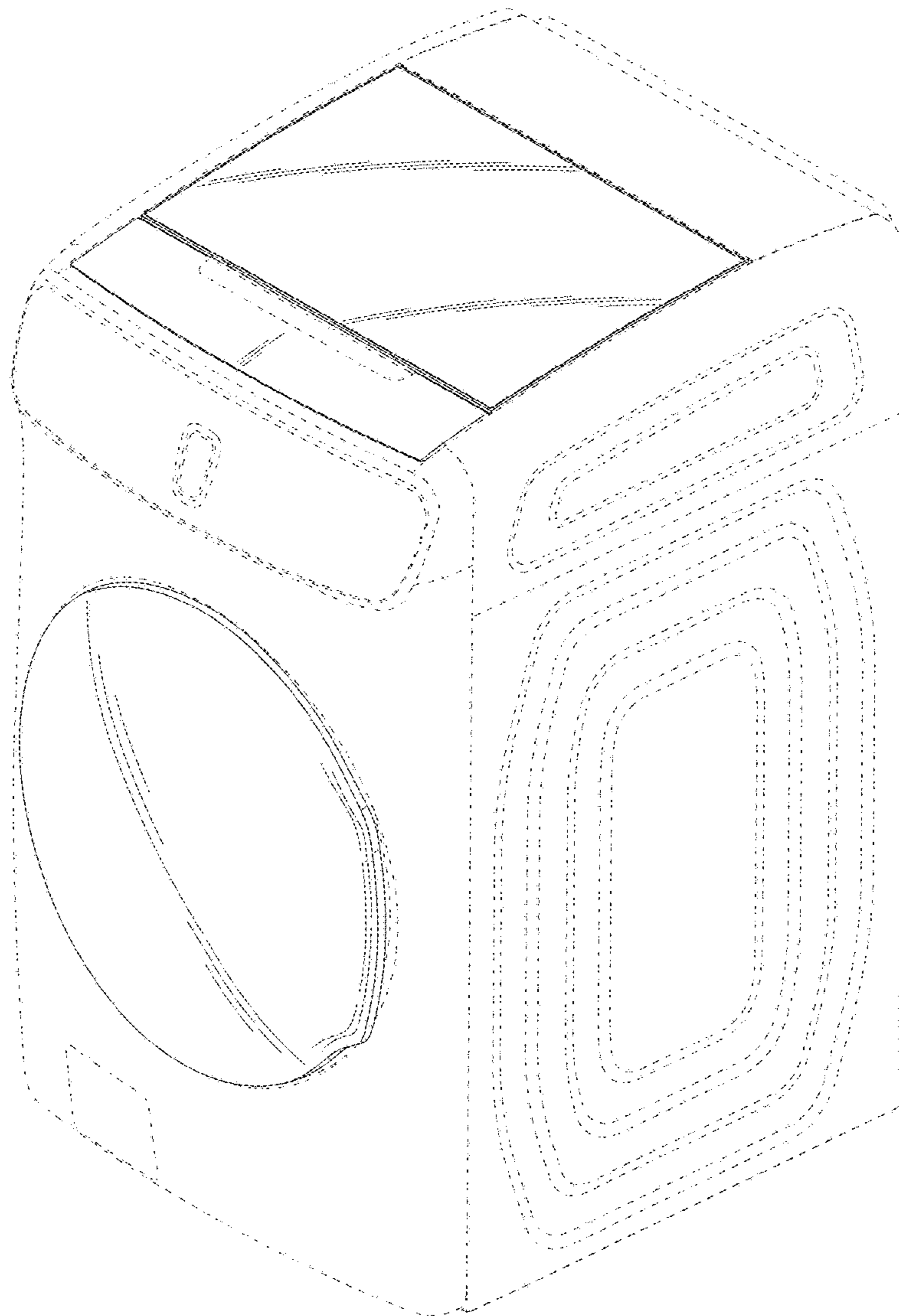


FIG. 2

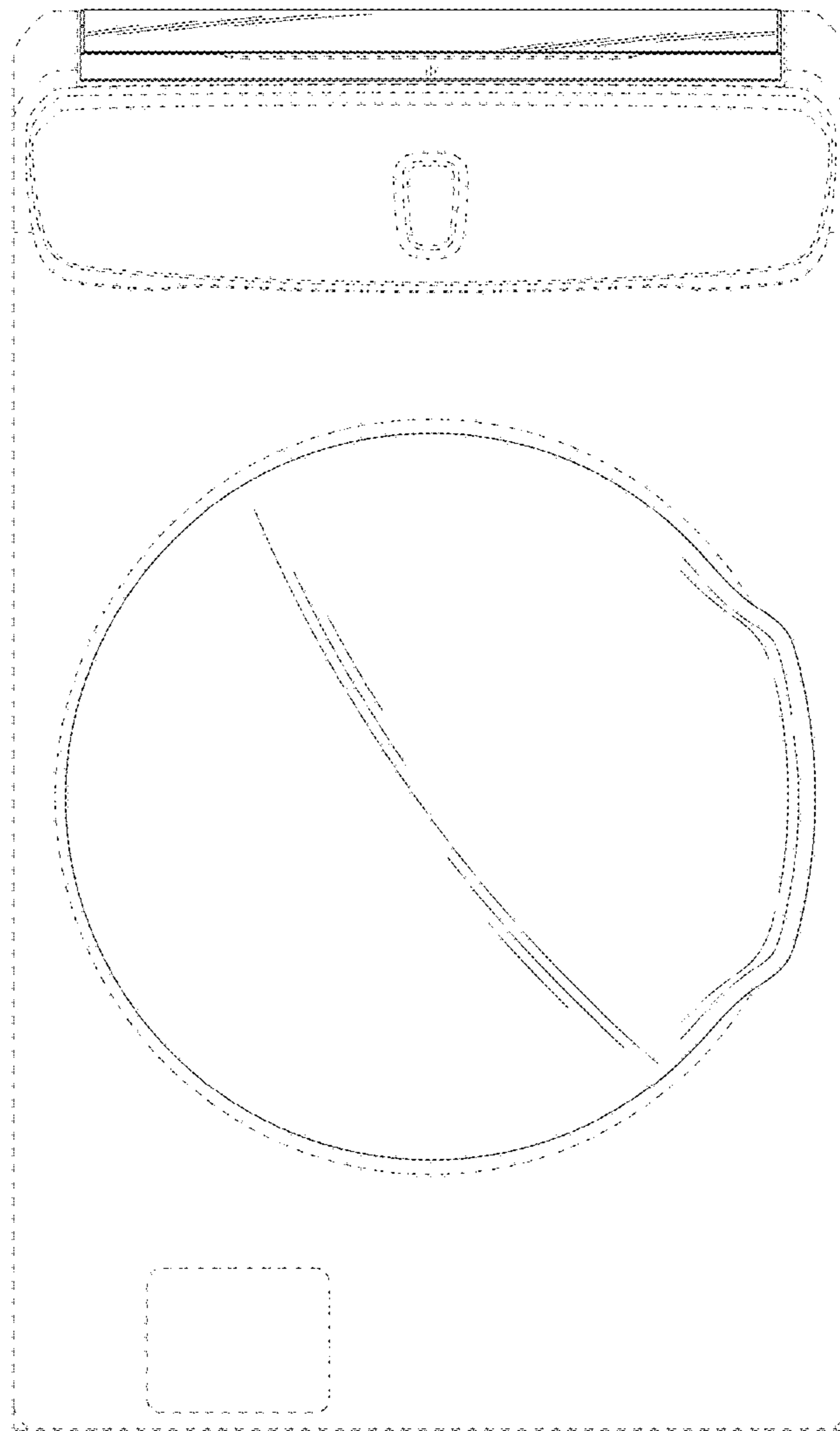


FIG. 3

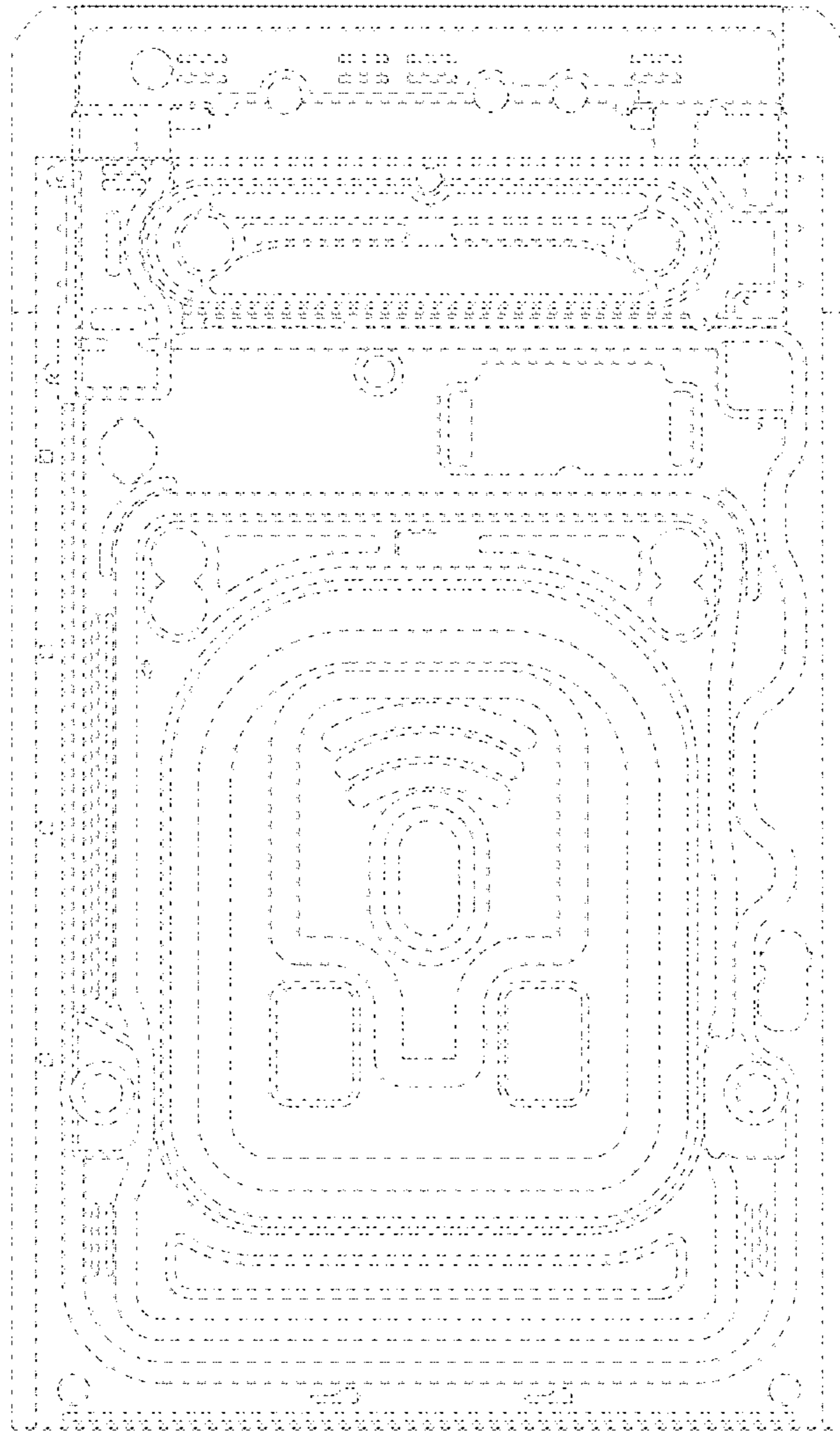


FIG. 4

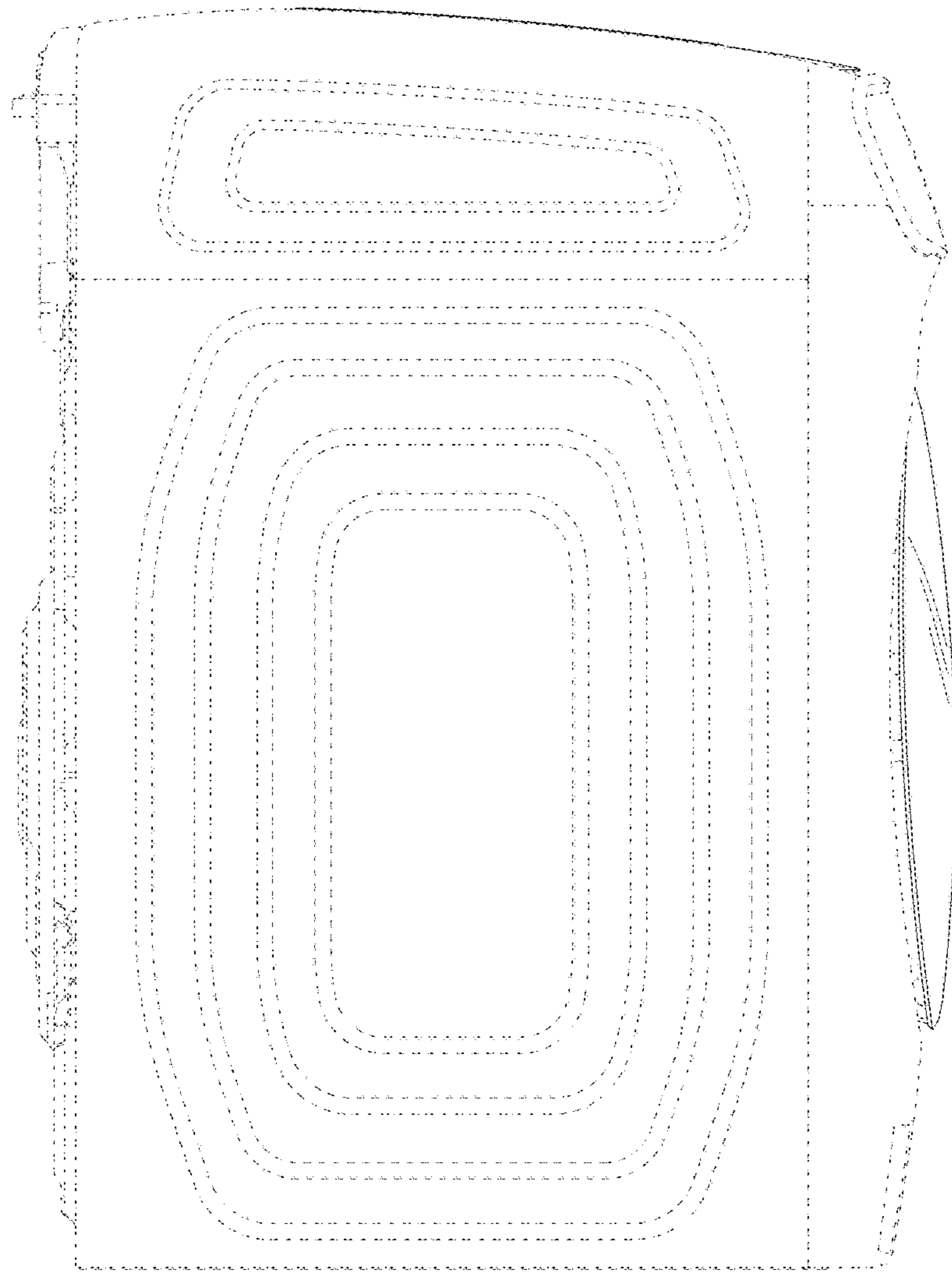


FIG. 5

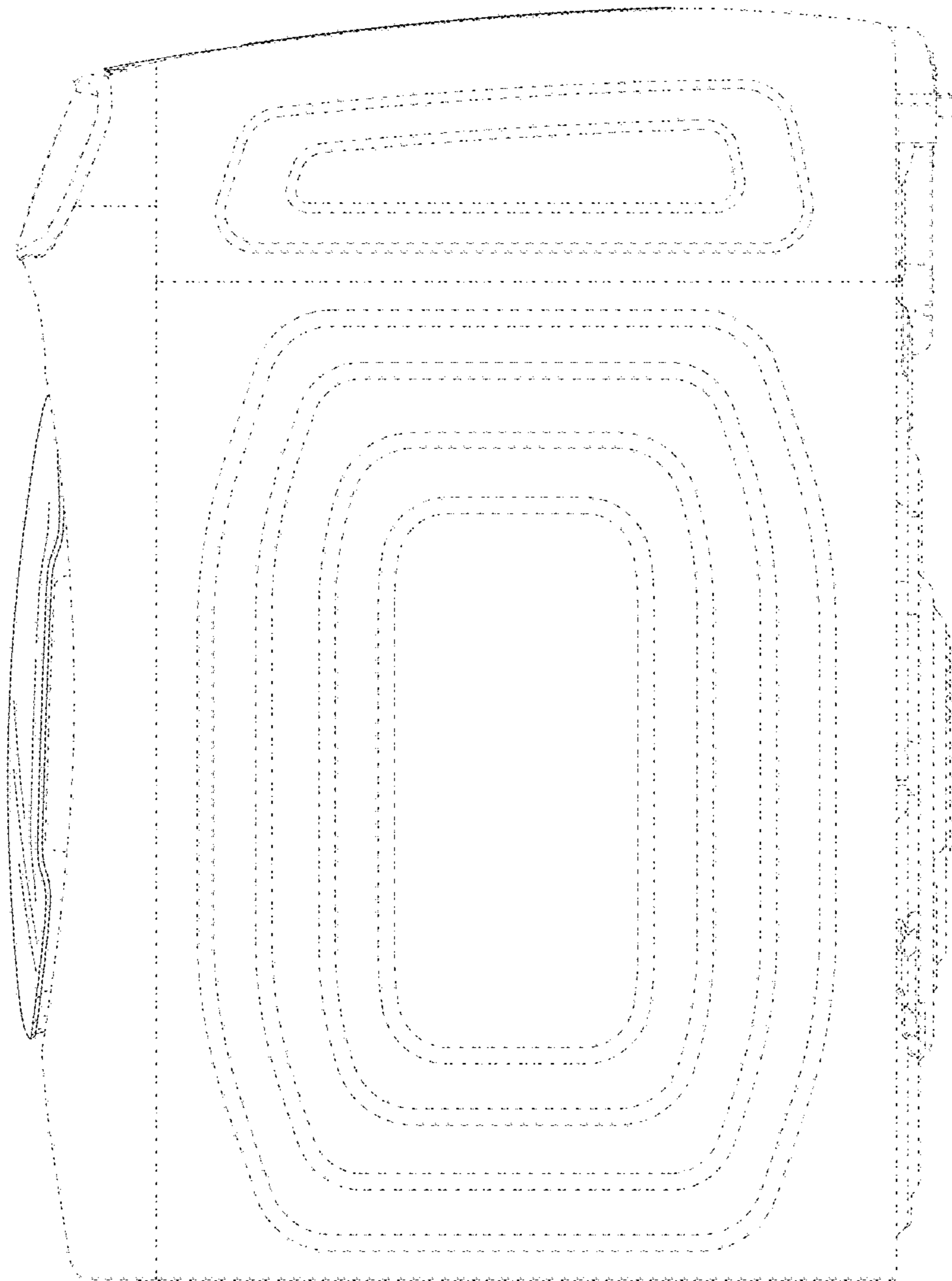


FIG. 6

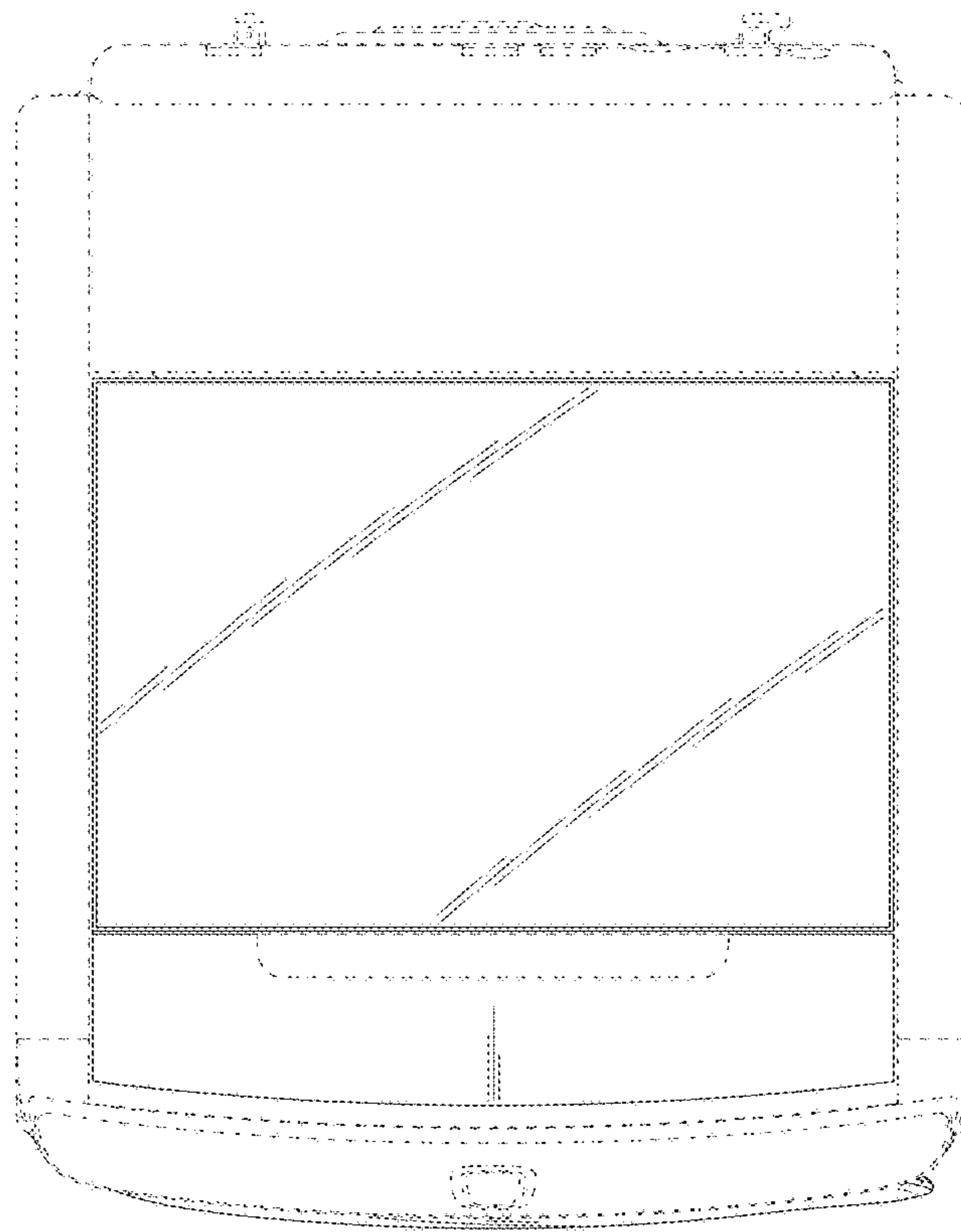




FIG. 7

