



US00D850032S

(12) **United States Design Patent** (10) **Patent No.:** **US D850,032 S**
Chen (45) **Date of Patent:** **** May 28, 2019**

(54) **WHEEL HUB CLEANING DEVICE**

D761,162 S * 7/2016 Mochinaga D12/160
D791,667 S * 7/2017 Prasad D12/207
D823,212 S * 7/2018 Prasad D12/207

(71) Applicant: **Prime Supply Inc.**, Taichung (TW)

* cited by examiner

(72) Inventor: **Wen Pin Chen**, Taichung (TW)

Primary Examiner — Michelle E. Wilson

(73) Assignee: **PRIME SUPPLY INC.**, Taichung (TW)

(74) *Attorney, Agent, or Firm* — Mark M. Friedman

(**) Term: **15 Years**

(21) Appl. No.: **29/577,375**

(57) **CLAIM**

(22) Filed: **Sep. 13, 2016**

The ornamental design for a wheel hub cleaning device, as shown and described.

(51) **LOC (11) Cl.** **15-05**

(52) **U.S. Cl.**
USPC **D32/4**

DESCRIPTION

(58) **Field of Classification Search**
USPC D12/400, 204–213; D23/411, 249, 250,
D23/252, 253; D21/495, 561, 563, 763,
D21/771, 779; D32/4, 25
See application file for complete search history.

FIG. 1 is an isometric view of a wheel hub cleaning device showing my design;
FIG. 2 is a top view thereof;
FIG. 3 is a side view thereof;
FIG. 4 is a front view thereof; and,
FIG. 5 is a bottom view thereof.
The broken lines in the figures show portions of the wheel hub cleaning device which form no part of the claimed design.

(56) **References Cited**

U.S. PATENT DOCUMENTS

D500,719 S * 1/2005 Baker D12/207
D719,493 S * 12/2014 Mochinaga D12/160

1 Claim, 5 Drawing Sheets

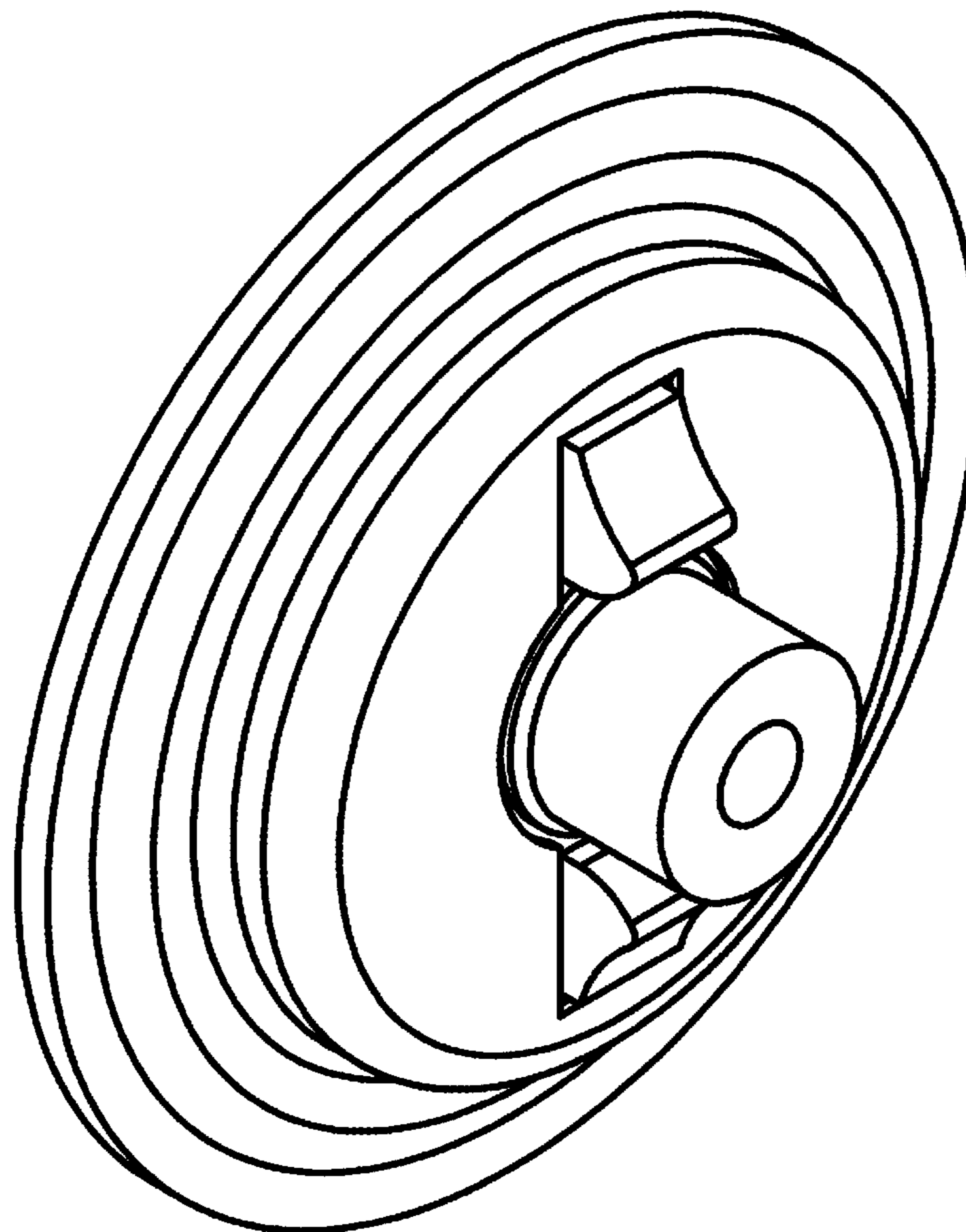


FIG. 1

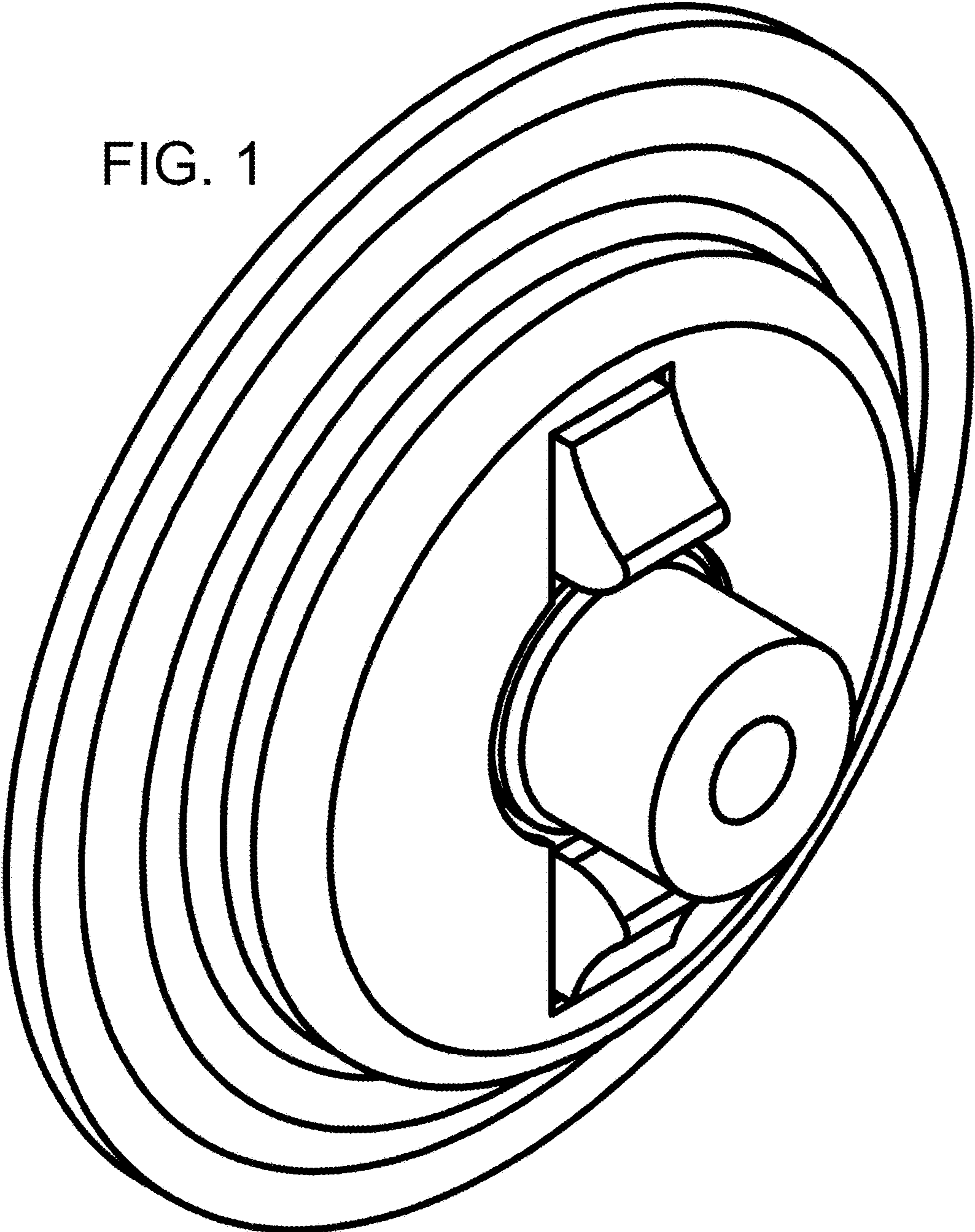


FIG. 2

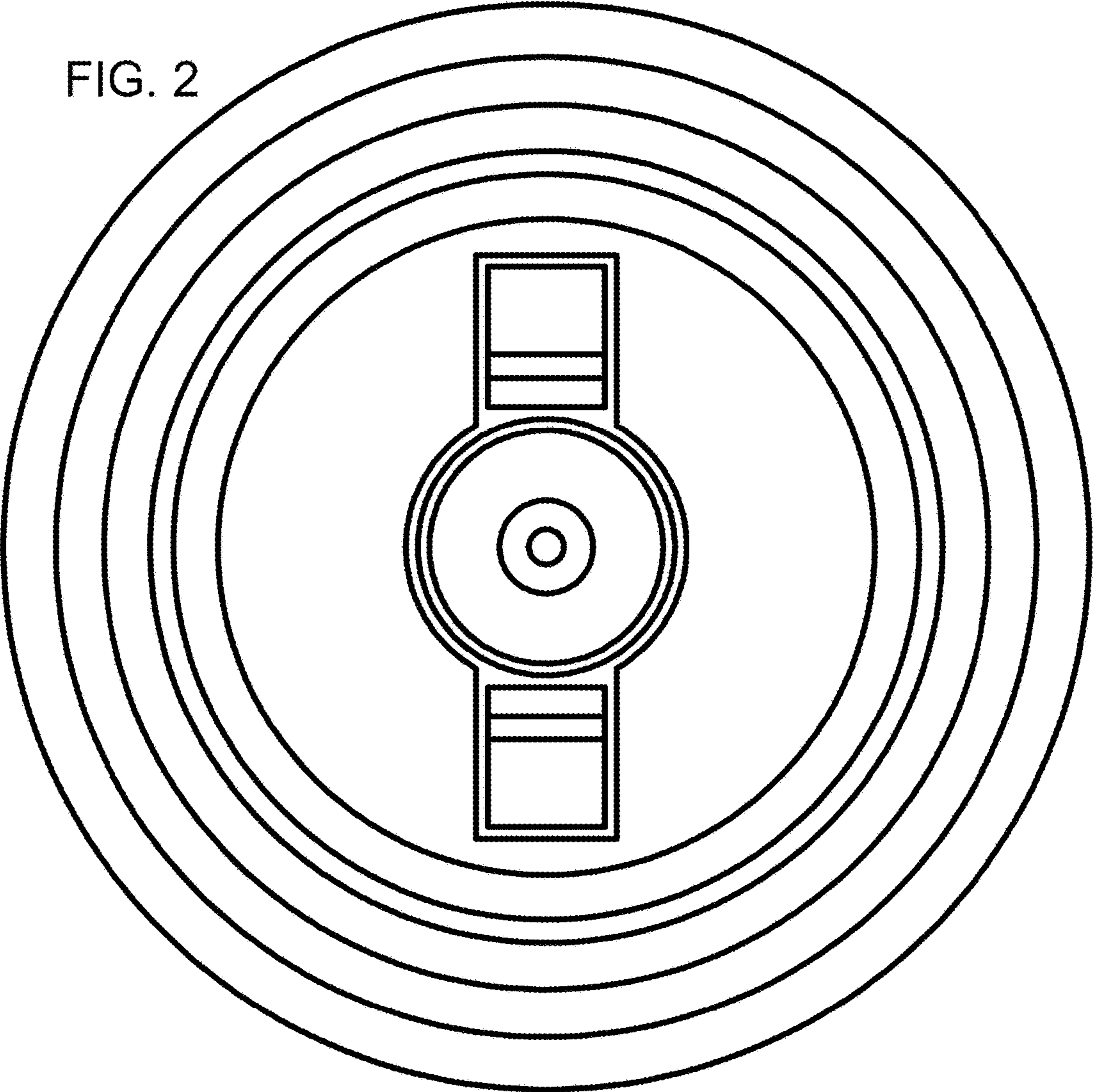


FIG. 3

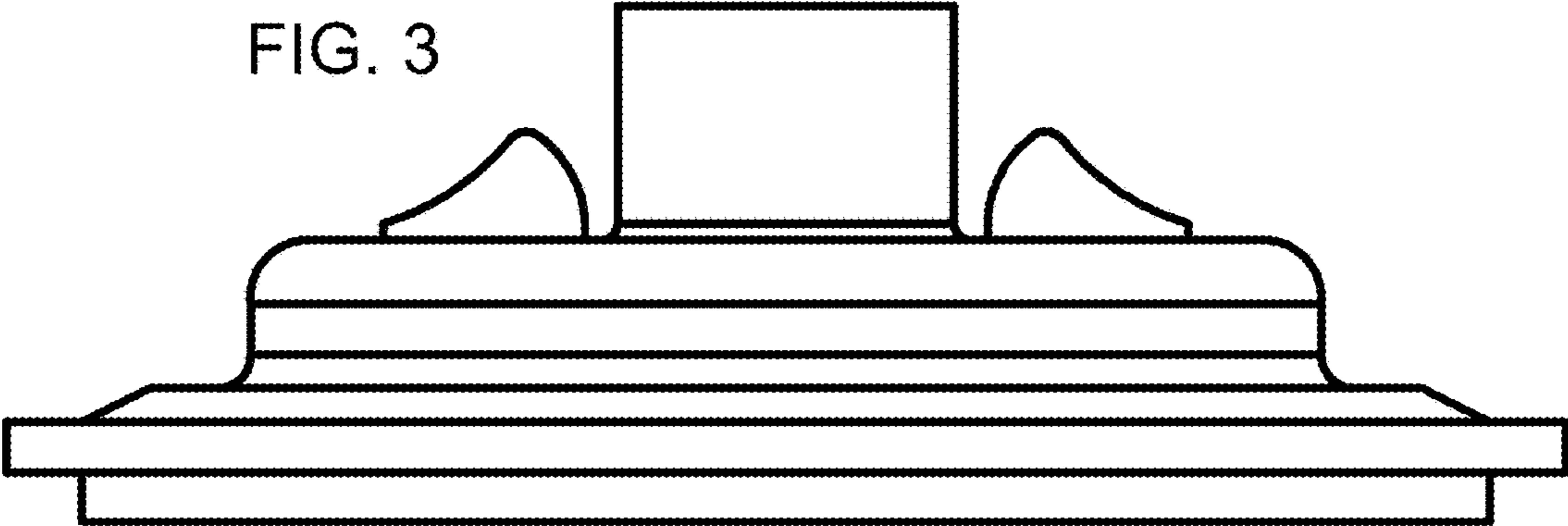


FIG. 4

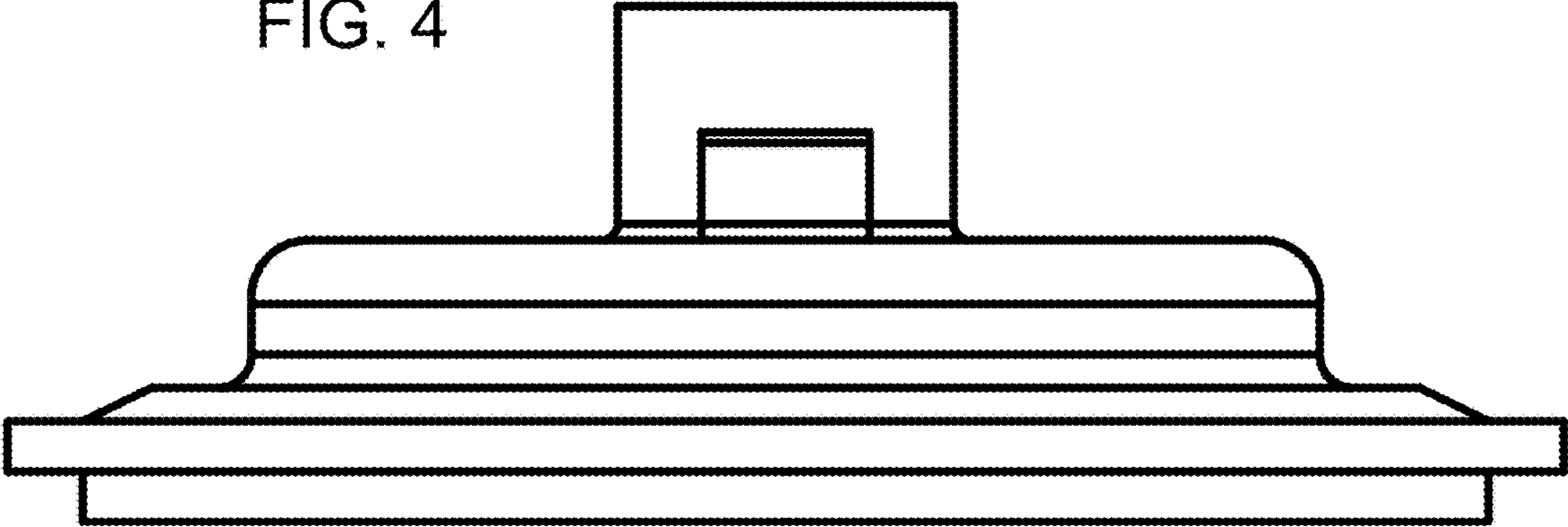


FIG. 5

