



US00D850031S

(12) **United States Design Patent**  
**Han et al.**

(10) **Patent No.:** **US D850,031 S**

(45) **Date of Patent:** **\*\* May 28, 2019**

(54) **DISHWASHER BASKET**

(71) Applicant: **SAMSUNG ELECTRONICS CO., LTD.**, Suwon-si, Gyeonggi-do (KR)

(72) Inventors: **Gisung Han**, Seoul (KR); **Daejong Kim**, Suwon-si (KR); **Jaejun Kim**, Seoul (KR)

(73) Assignee: **SAMSUNG ELECTRONICS CO., LTD.**, Gyeonggi-Do (KR)

(\*\*) Term: **15 Years**

(21) Appl. No.: **29/632,960**

(22) Filed: **Jan. 11, 2018**

(30) **Foreign Application Priority Data**

Aug. 24, 2017 (KR) ..... 30-2017-0039468

(51) **LOC (11) Cl.** ..... **15-05**

(52) **U.S. Cl.**  
USPC ..... **D32/3**

(58) **Field of Classification Search**  
USPC ..... D32/1, 3, 25, 29, 5-6, 8  
CPC .... D06F 33/02; D06F 39/02; D06F 2204/065;  
D06F 25/00; D06F 35/006  
See application file for complete search history.

(56) **References Cited**

**U.S. PATENT DOCUMENTS**

- 3,182,854 A \* 5/1965 Geller ..... A47L 15/502  
206/553
- D213,130 S \* 1/1969 Keen ..... D32/3
- D232,972 S \* 9/1974 Vilen ..... D32/3
- 4,830,200 A \* 5/1989 Zambano ..... A47L 15/505  
211/133.5
- D306,786 S \* 3/1990 Ling ..... D32/3

- D314,256 S \* 1/1991 Patera ..... D32/3
- D393,505 S \* 4/1998 Good ..... D32/3
- D398,092 S \* 9/1998 Good ..... D32/3
- D403,472 S \* 12/1998 Goodin ..... D32/3
- D404,176 S \* 1/1999 Goodin ..... D32/3
- D412,607 S \* 8/1999 Goodin ..... D32/3
- D481,179 S \* 10/2003 Wendt ..... D3/309
- D488,594 S \* 4/2004 Miilu ..... D32/3
- D506,855 S \* 6/2005 Compagnucci ..... D32/3
- D516,757 S \* 3/2006 Hedstrom ..... A47L 15/503  
D32/2
- D640,842 S \* 6/2011 Eng ..... D32/3
- D683,504 S \* 5/2013 Clores ..... D32/3
- D688,426 S \* 8/2013 Clores ..... D32/3
- D725,325 S \* 3/2015 Lee ..... D32/3
- D725,851 S \* 3/2015 Lee ..... D32/3
- D752,299 S \* 3/2016 Clores ..... D32/3
- D762,019 S \* 7/2016 Ferencevich ..... D32/3
- D762,020 S \* 7/2016 Kahwaji ..... D32/3

\* cited by examiner

*Primary Examiner* — Michelle E. Wilson

(74) *Attorney, Agent, or Firm* — Cantor Colburn LLP

(57) **CLAIM**

The ornamental design for a dishwasher basket, as shown and described.

**DESCRIPTION**

FIG. 1 is a top perspective view of a dishwasher basket, showing our new design;  
FIG. 2 is a front view thereof;  
FIG. 3 is a rear view thereof;  
FIG. 4 is a left side view thereof;  
FIG. 5 is a right side view thereof;  
FIG. 6 is a top view thereof; and,  
FIG. 7 is a bottom view thereof.  
The broken lines illustrating portions of the dishwasher basket form no part of the claimed design.

**1 Claim, 7 Drawing Sheets**

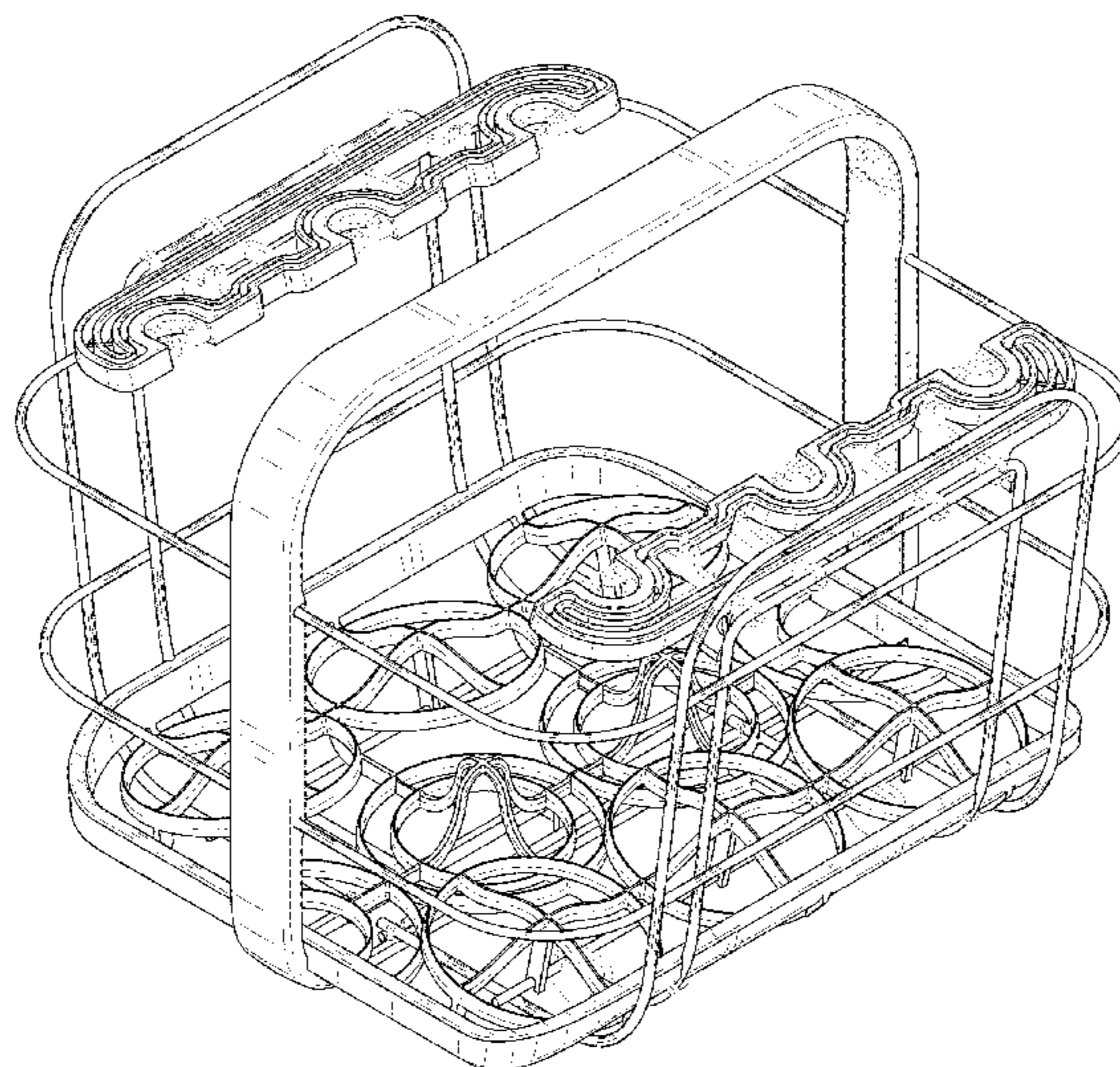


FIG. 1

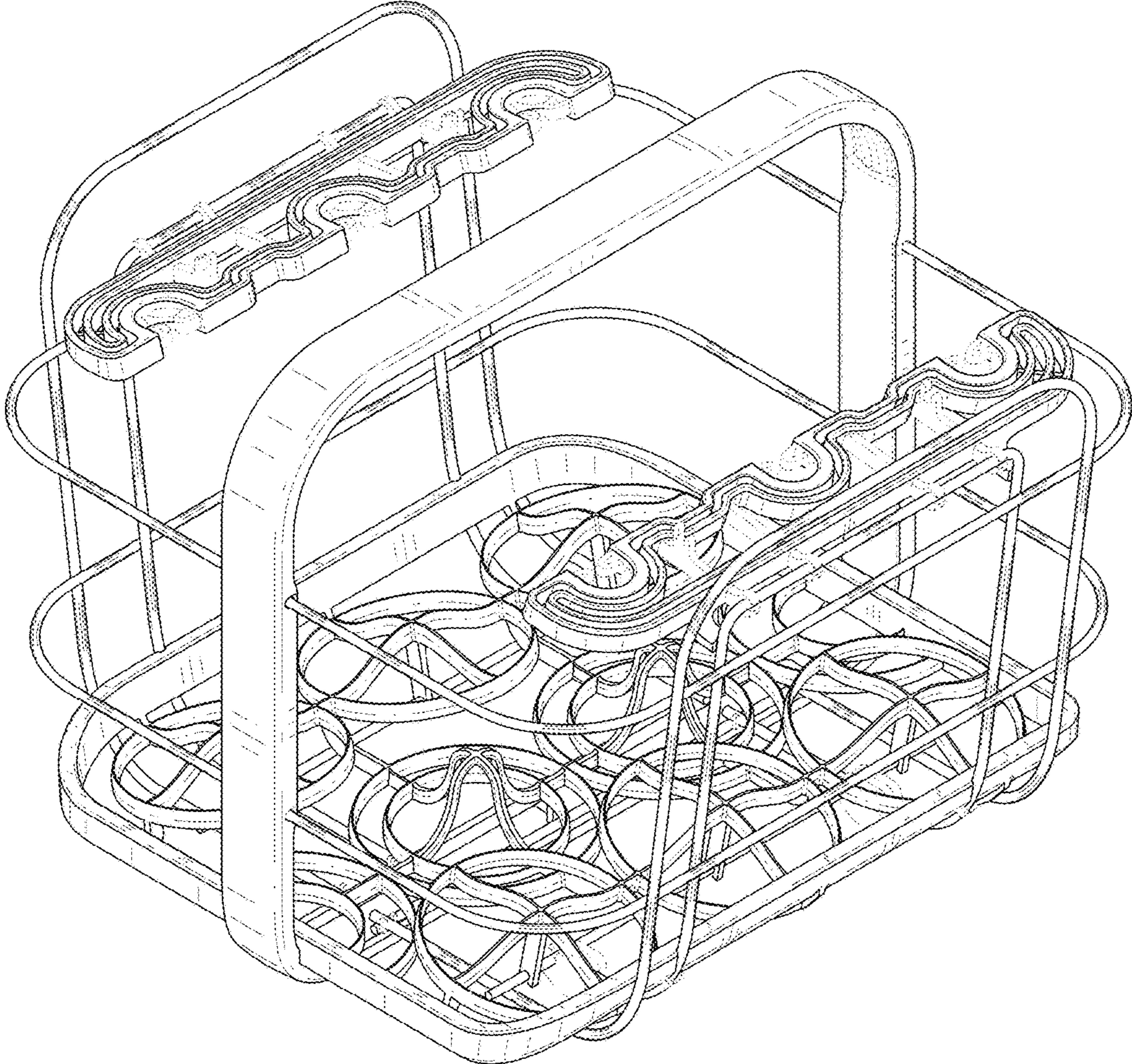


FIG. 2

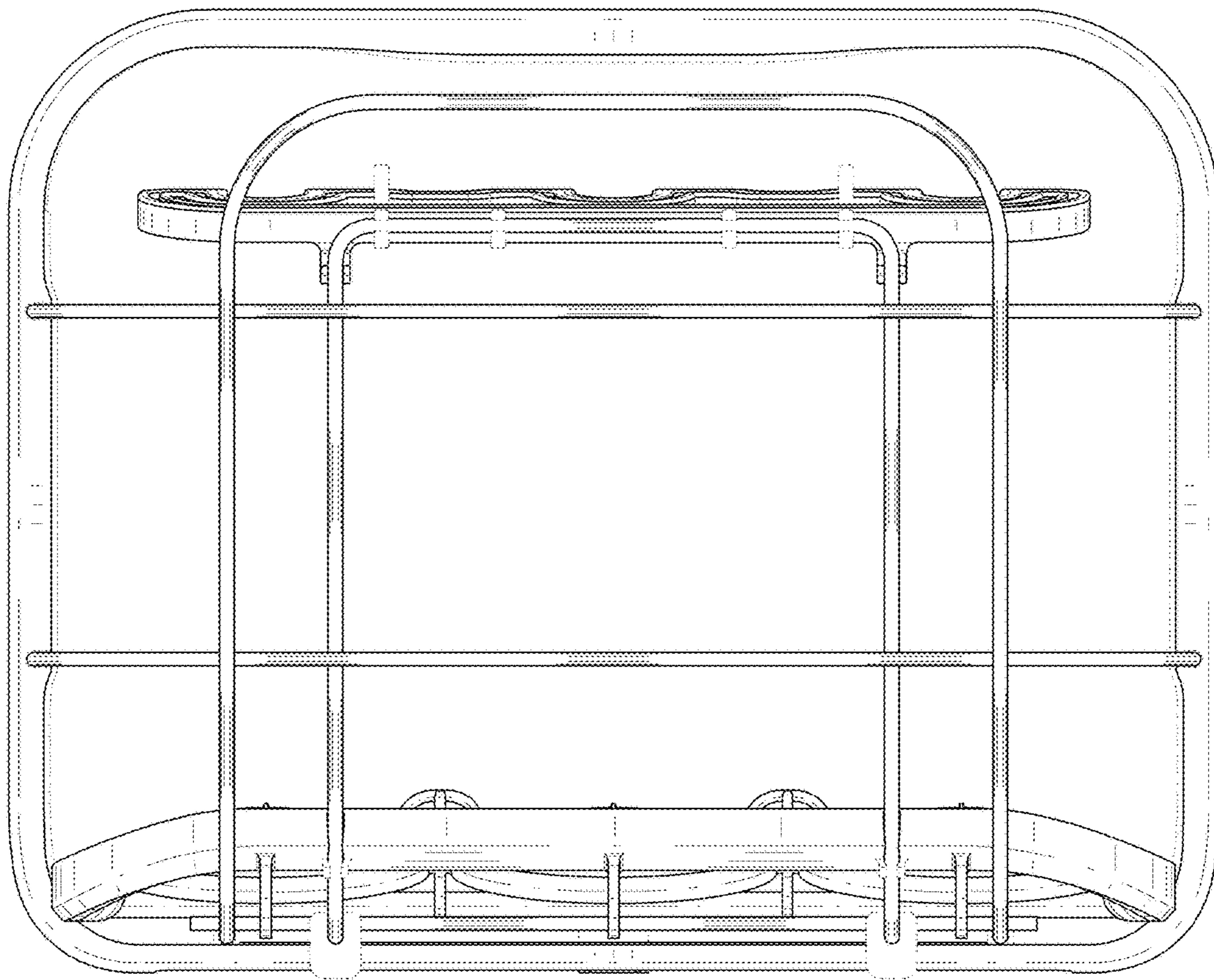


FIG. 3

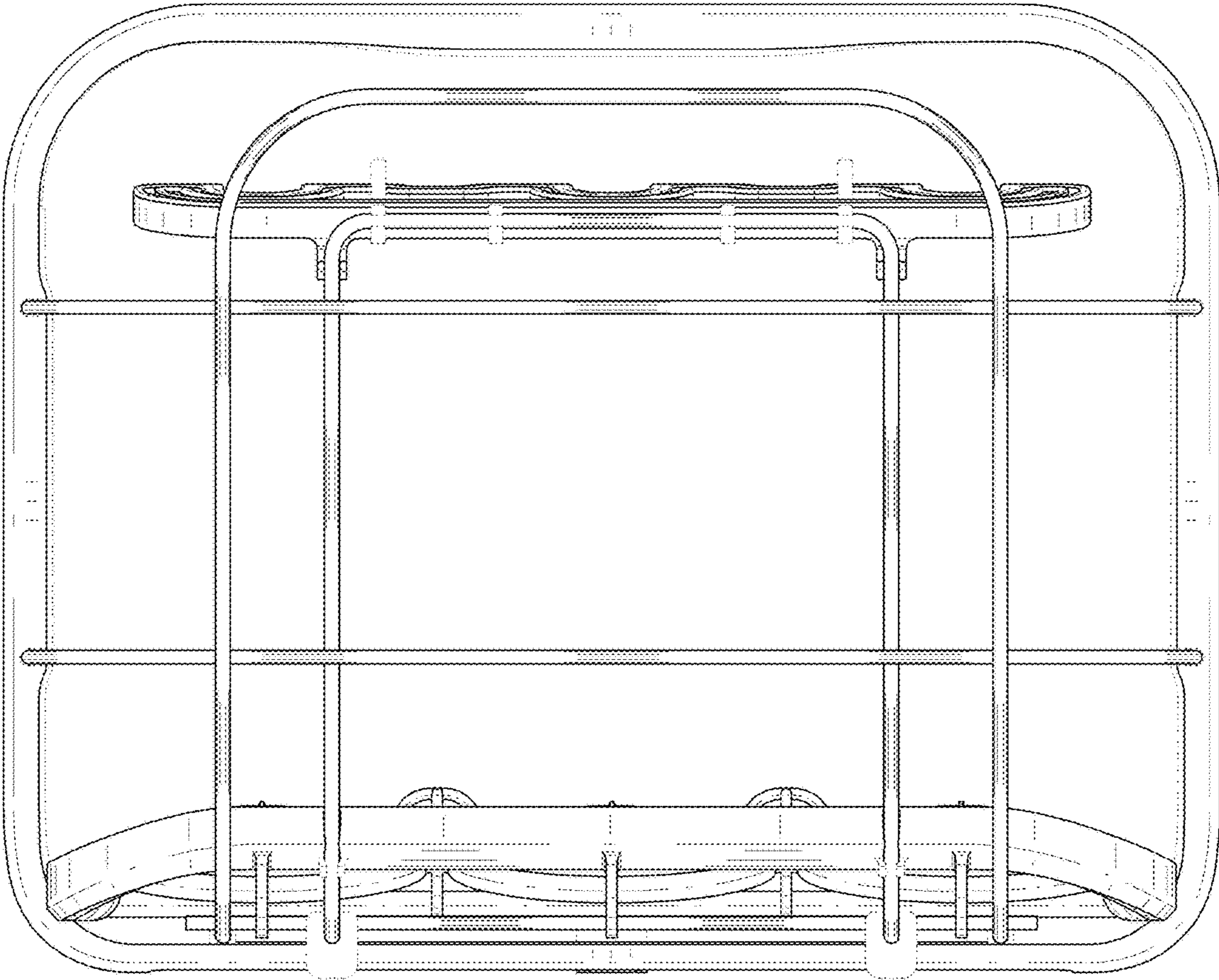


FIG. 4

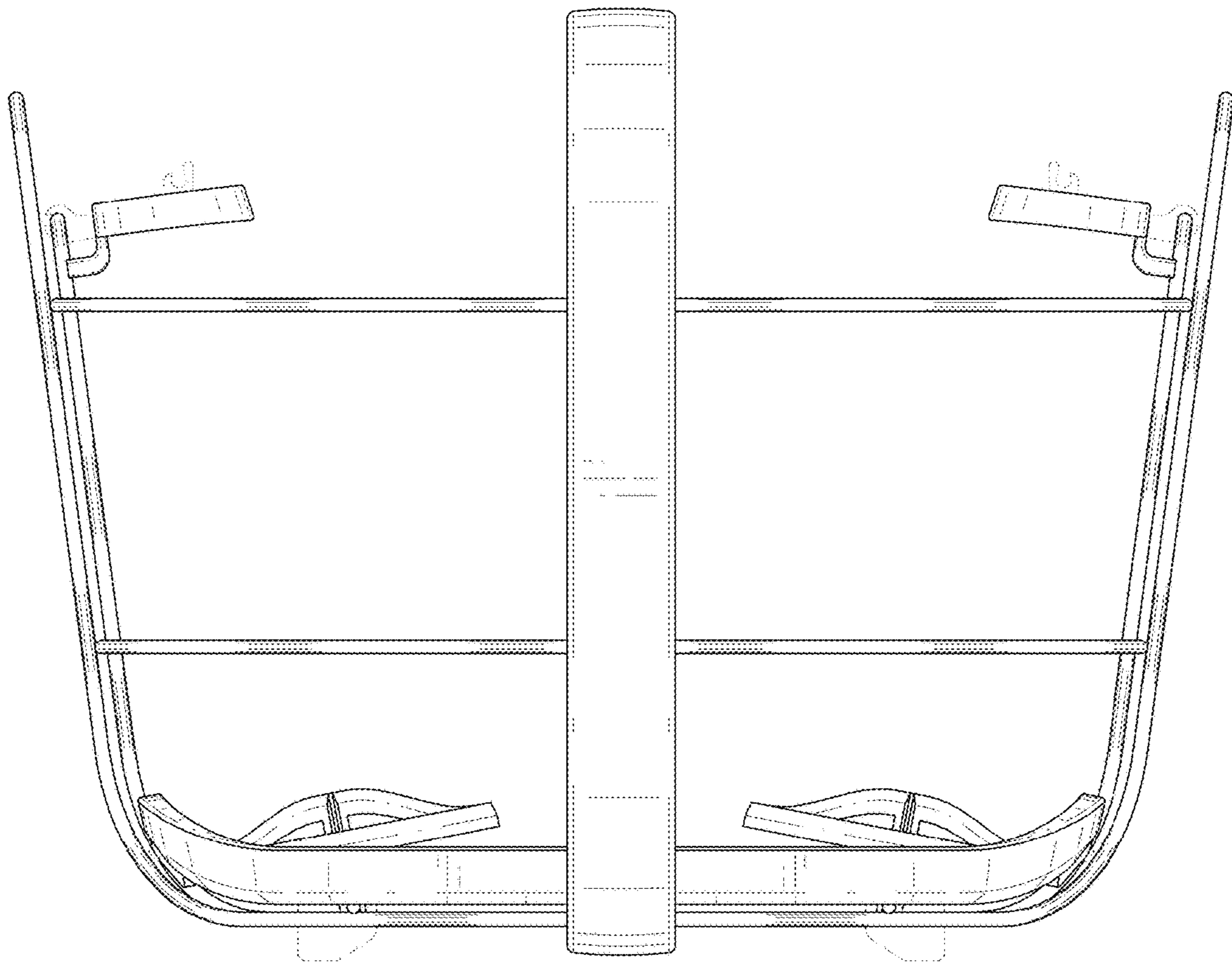


FIG. 5

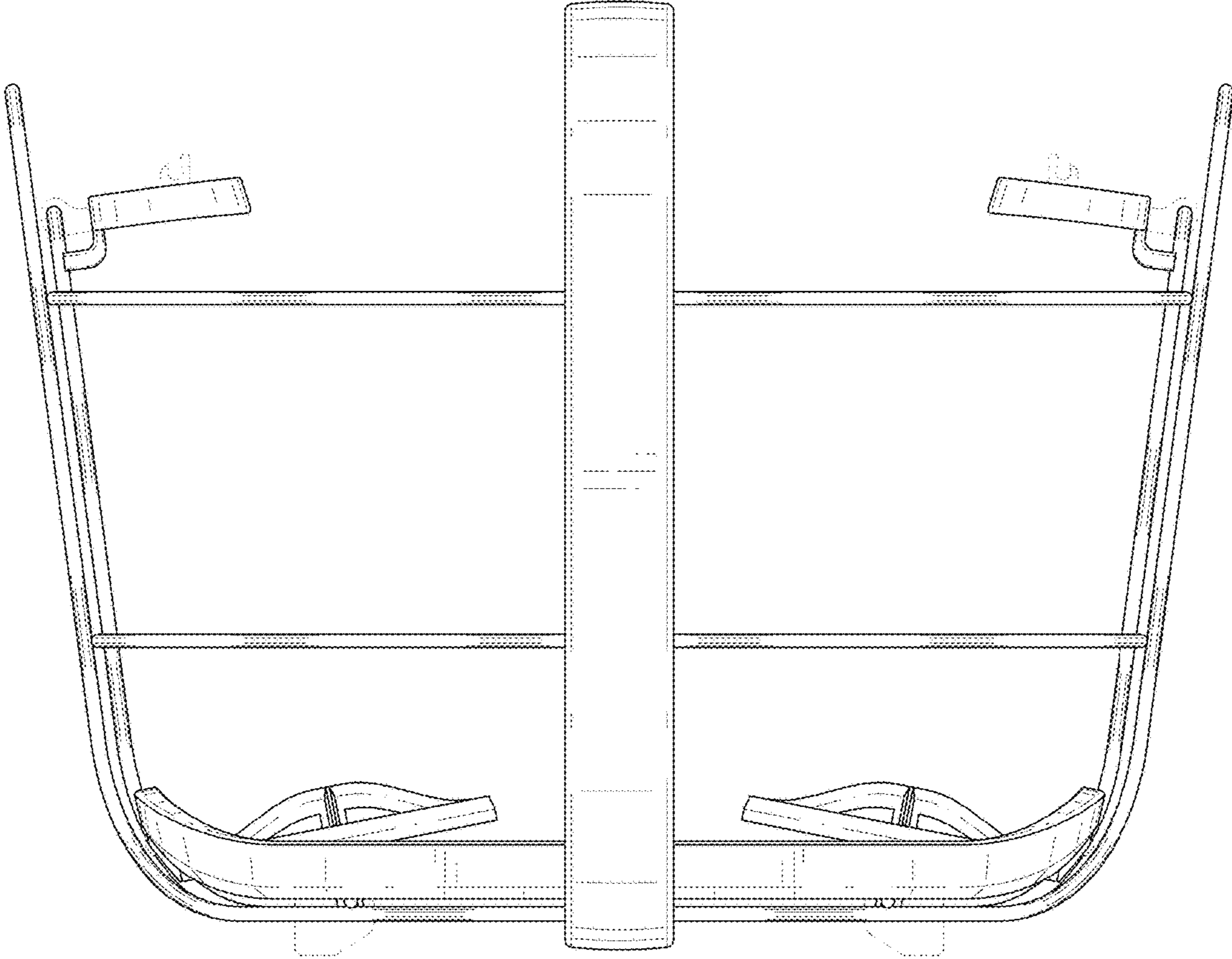


FIG. 6

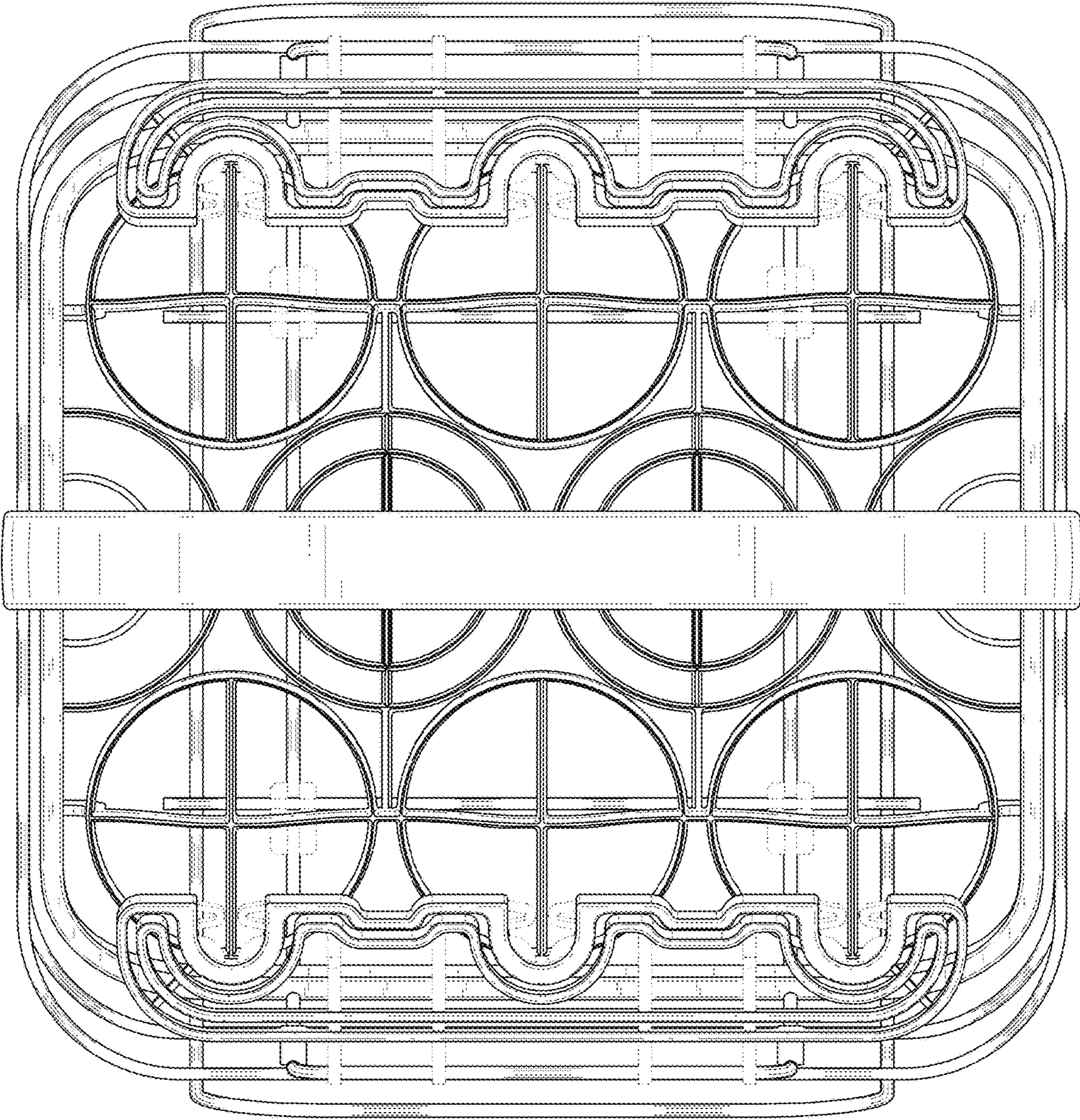


FIG. 7

