



US00D850029S

(12) **United States Design Patent** (10) **Patent No.:** **US D850,029 S**
Williams et al. (45) **Date of Patent:** **** May 28, 2019**

- (54) **LITTER BOX**
- (71) Applicant: **ModProducts, LLC**, Brooklyn, NY (US)
- (72) Inventors: **Richard Williams**, Brooklyn, NY (US); **Brett Teper**, Brooklyn, NY (US); **Qi Feng Liang**, Bayside Hills, NY (US)
- (73) Assignee: **MODPRODUCTS, LLC**, Brooklyn, NY (US)
- (**) Term: **15 Years**
- (21) Appl. No.: **29/614,802**
- (22) Filed: **Aug. 23, 2017**
- (51) **LOC (11) Cl.** **30-99**
- (52) **U.S. Cl.**
USPC **D30/161**
- (58) **Field of Classification Search**
USPC D30/108-120, 161, 162, 199; D3/304, D3/314; D6/457, 475; 119/28.5, 161, 119/163, 165, 166, 167, 168, 169, 170, 119/452, 453, 482, 496, 498, 499, 702, 119/707; 206/203
CPC A01K 1/0353; A01K 1/011; A01K 1/0114; A01K 1/0107
See application file for complete search history.

(56) **References Cited**

U.S. PATENT DOCUMENTS

D131,147 S *	1/1942	Richardson	D30/118
D274,012 S *	5/1984	Williams	D3/304
D295,904 S *	5/1988	McMahon	D30/118
D425,703 S *	5/2000	Ohayon	D3/201
D464,224 S *	10/2002	Moore	D30/162
D533,687 S *	12/2006	Bull	D30/118
D538,539 S *	3/2007	Richardson	D3/314
D555,293 S *	11/2007	Gourkow	D30/108

D583,562 S *	12/2008	Ghiorghie	D3/304
D613,914 S *	4/2010	Askinasi	D30/161
D616,617 S *	5/2010	Cirincione	D30/161
D635,770 S *	4/2011	Kobilarcik	D3/304
D653,818 S *	2/2012	Schetlin	D30/158
D690,514 S *	10/2013	Shamp	D3/304
D711,601 S *	8/2014	Robbins	D30/161
D731,185 S *	6/2015	Hsu	D3/304
D760,445 S *	6/2016	Katers	D30/108
D784,018 S *	4/2017	Shamp	D3/304
D790,856 S *	7/2017	Levy	D3/304
2004/0261727 A1 *	12/2004	Matsuo	A01K 1/0107 119/170
2008/0060585 A1 *	3/2008	Garfield	A01K 1/0107 119/165
2010/0224133 A1 *	9/2010	Hiroshima	A01K 1/0107 119/169

* cited by examiner

Primary Examiner — Barbara Fox
Assistant Examiner — Mehri F Bajoul
(74) *Attorney, Agent, or Firm* — Lucas & Mercanti, LLP

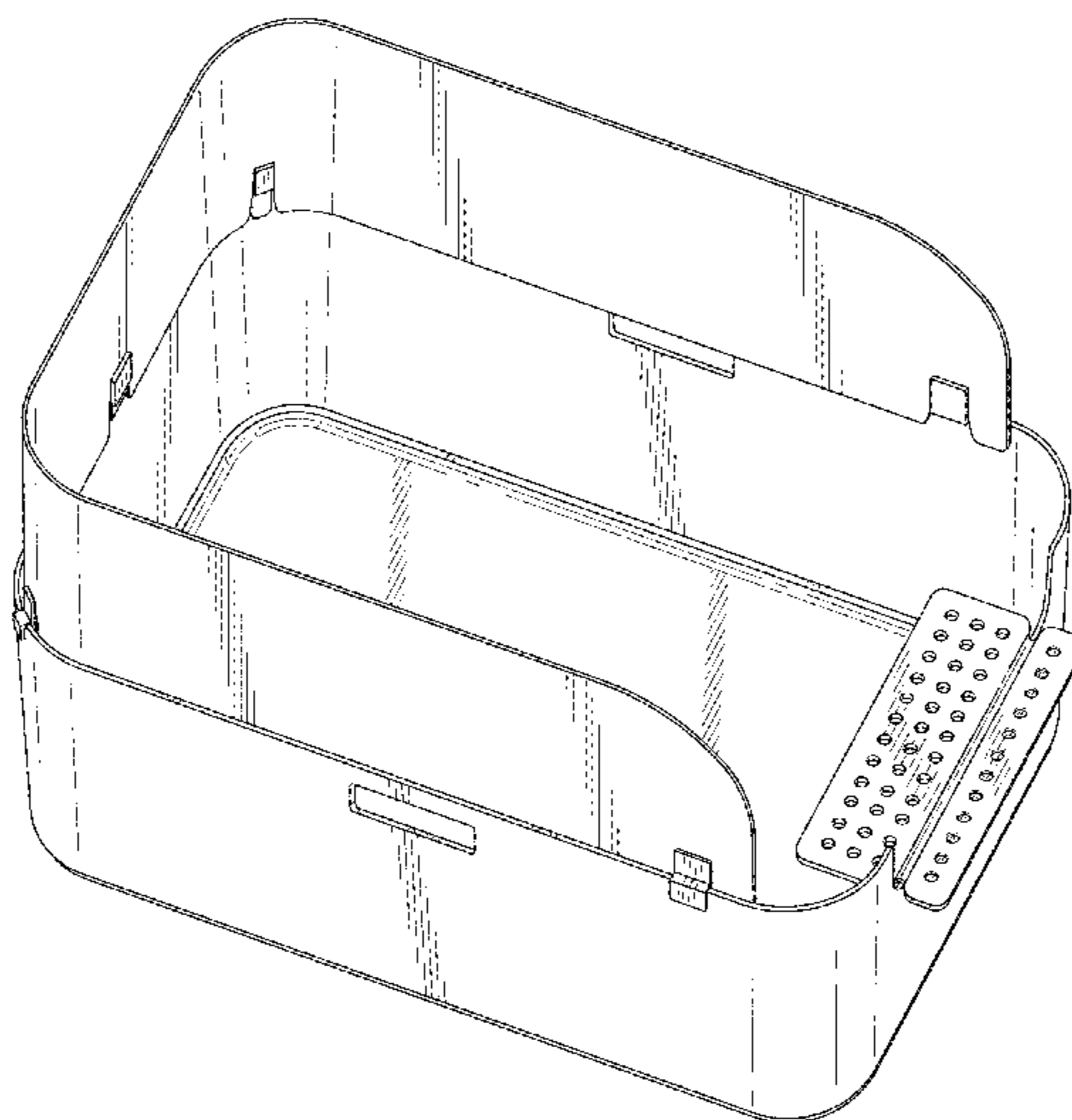
(57) **CLAIM**

The ornamental design for a litter box, as shown and described.

DESCRIPTION

FIG. 1 is a top left front perspective view of a litter box showing the new design;
FIG. 2 is a bottom perspective view thereof;
FIG. 3 is a top view thereof;
FIG. 4 is a bottom view thereof;
FIG. 5 is a front view thereof;
FIG. 6 is a rear view thereof;
FIG. 7 is a left side view thereof; and,
FIG. 8 is a right side view thereof.
The broken lines shown in the drawings depict portions of the litter box that form no part of the claimed design.

1 Claim, 8 Drawing Sheets



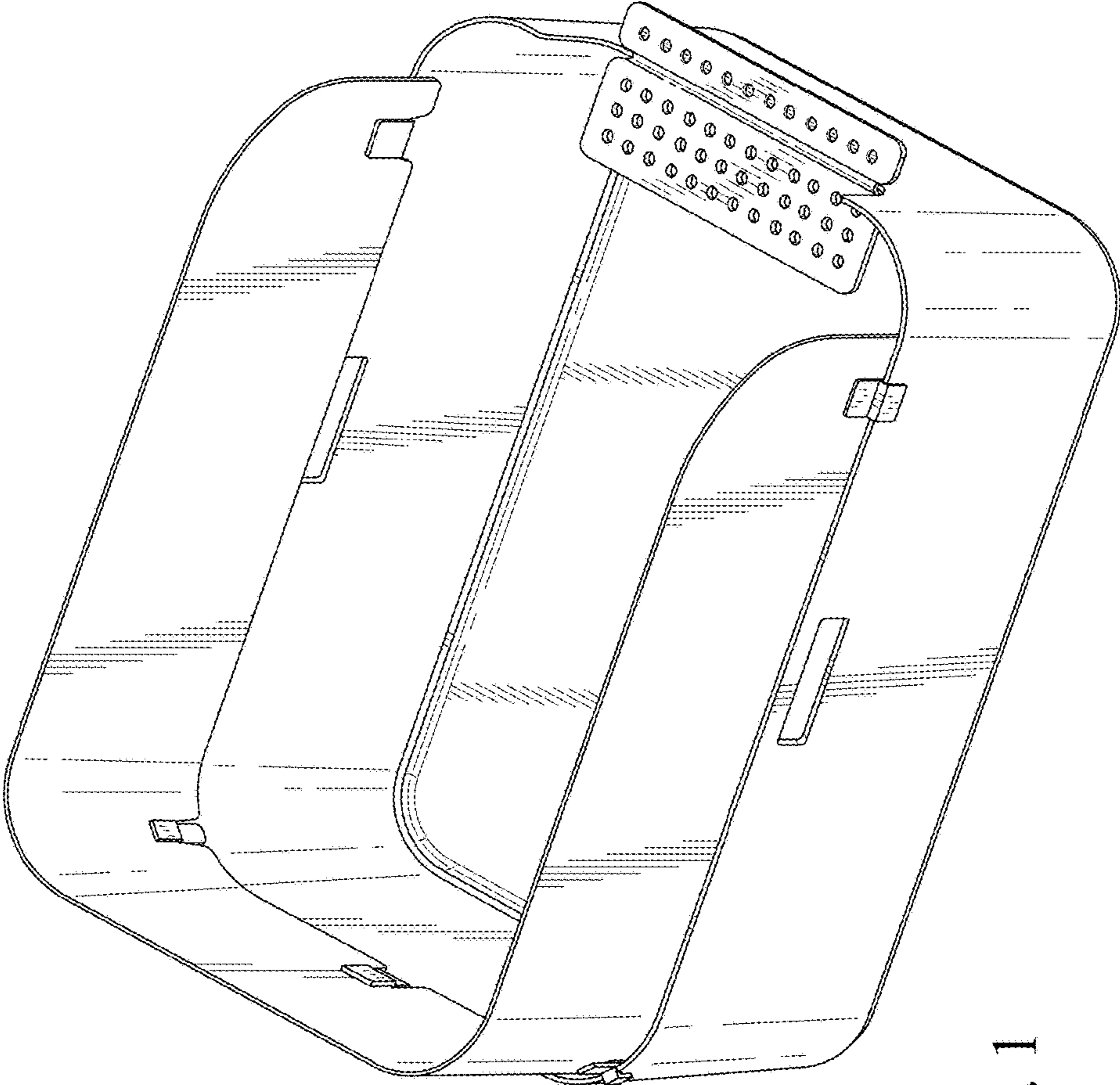


FIG. 1

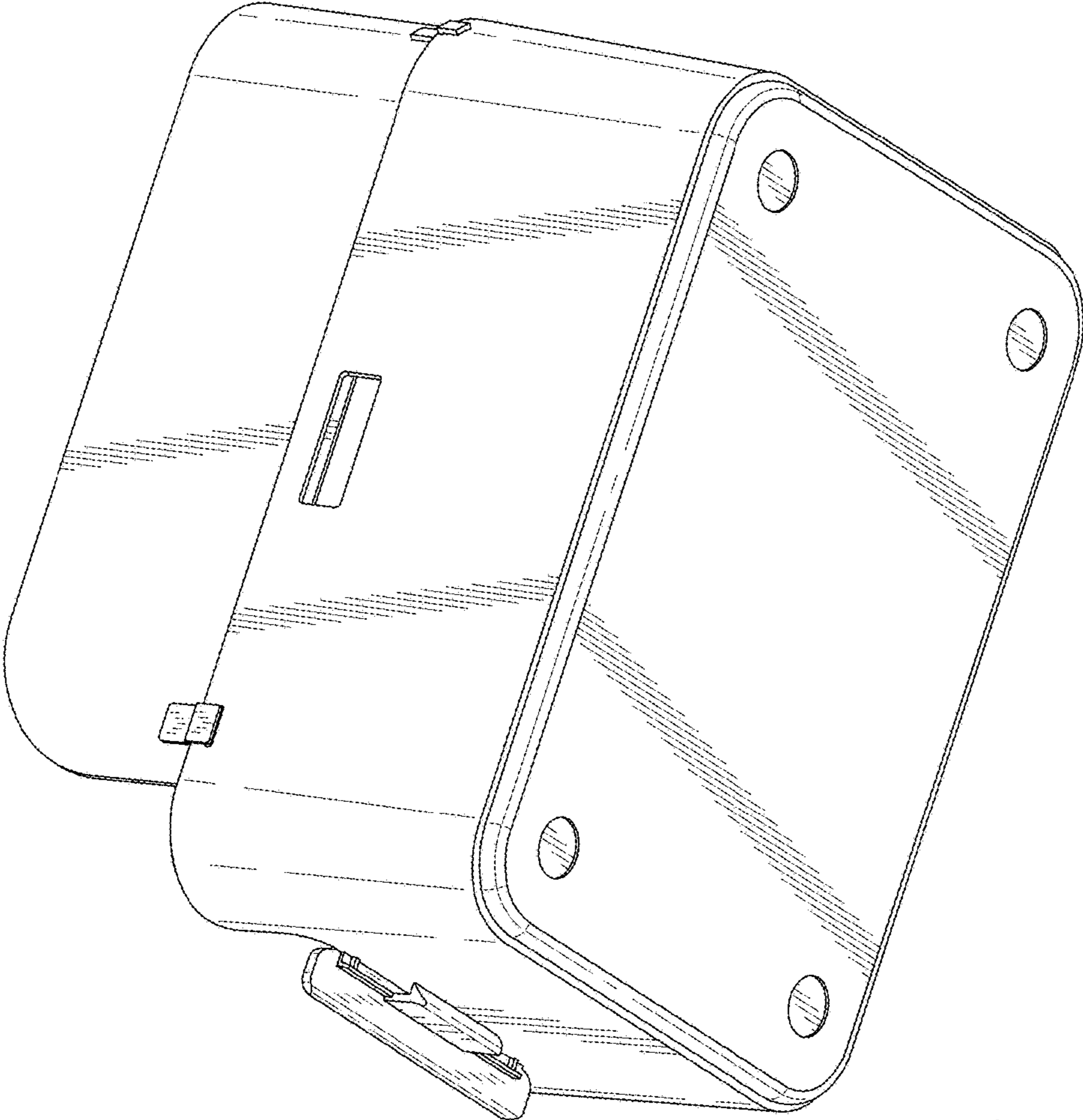


FIG. 2

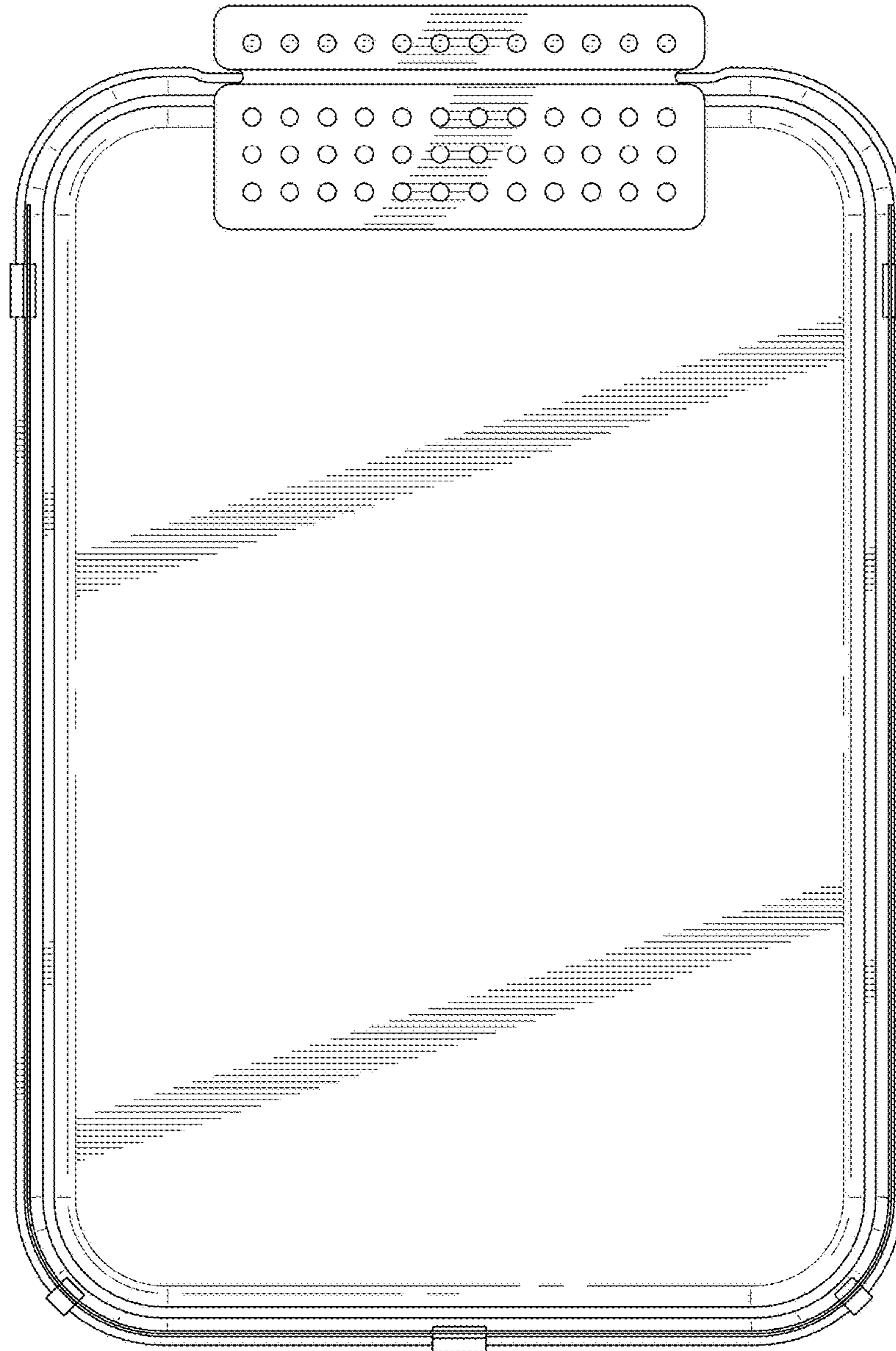


FIG. 3

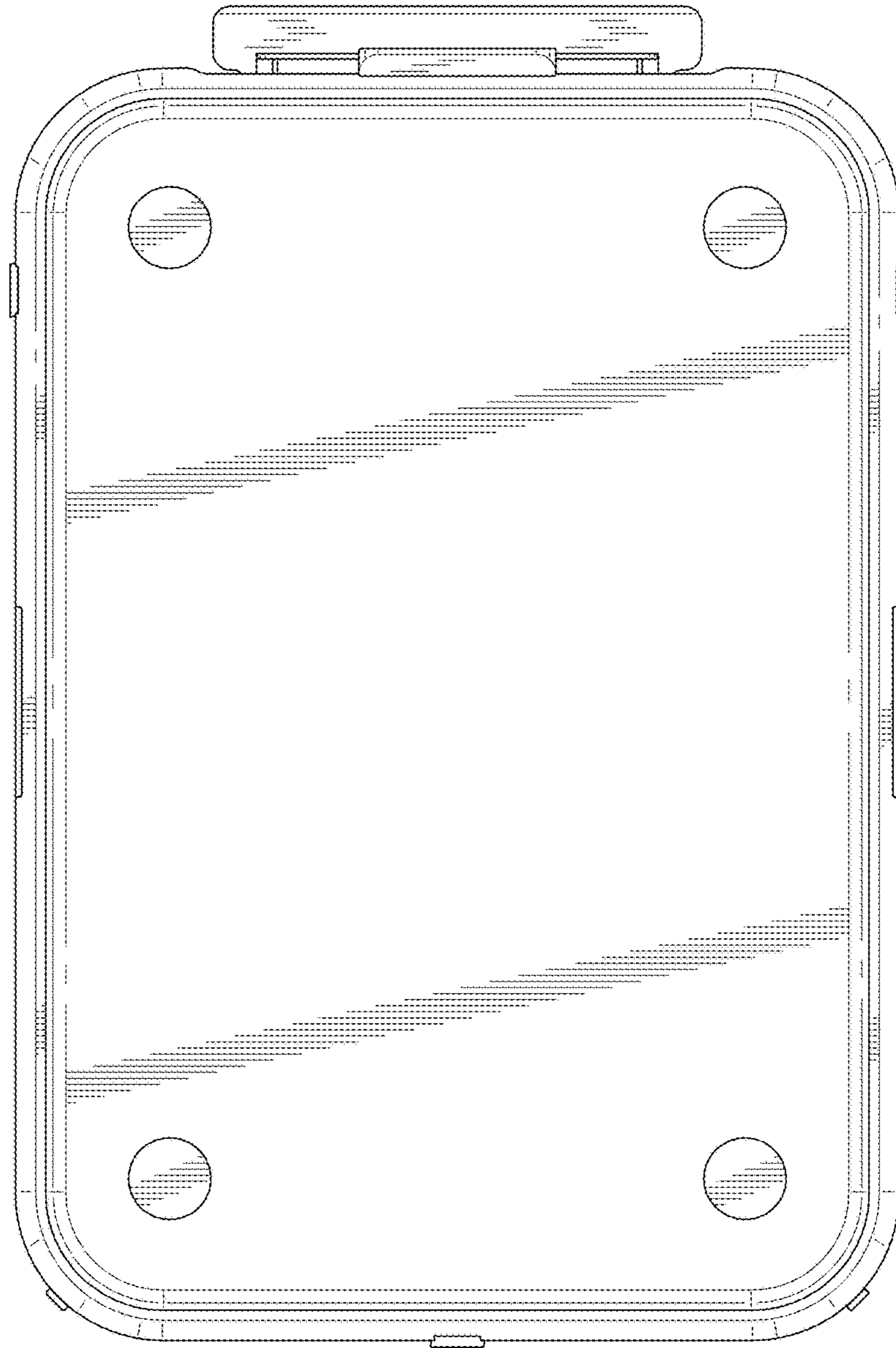


FIG. 4

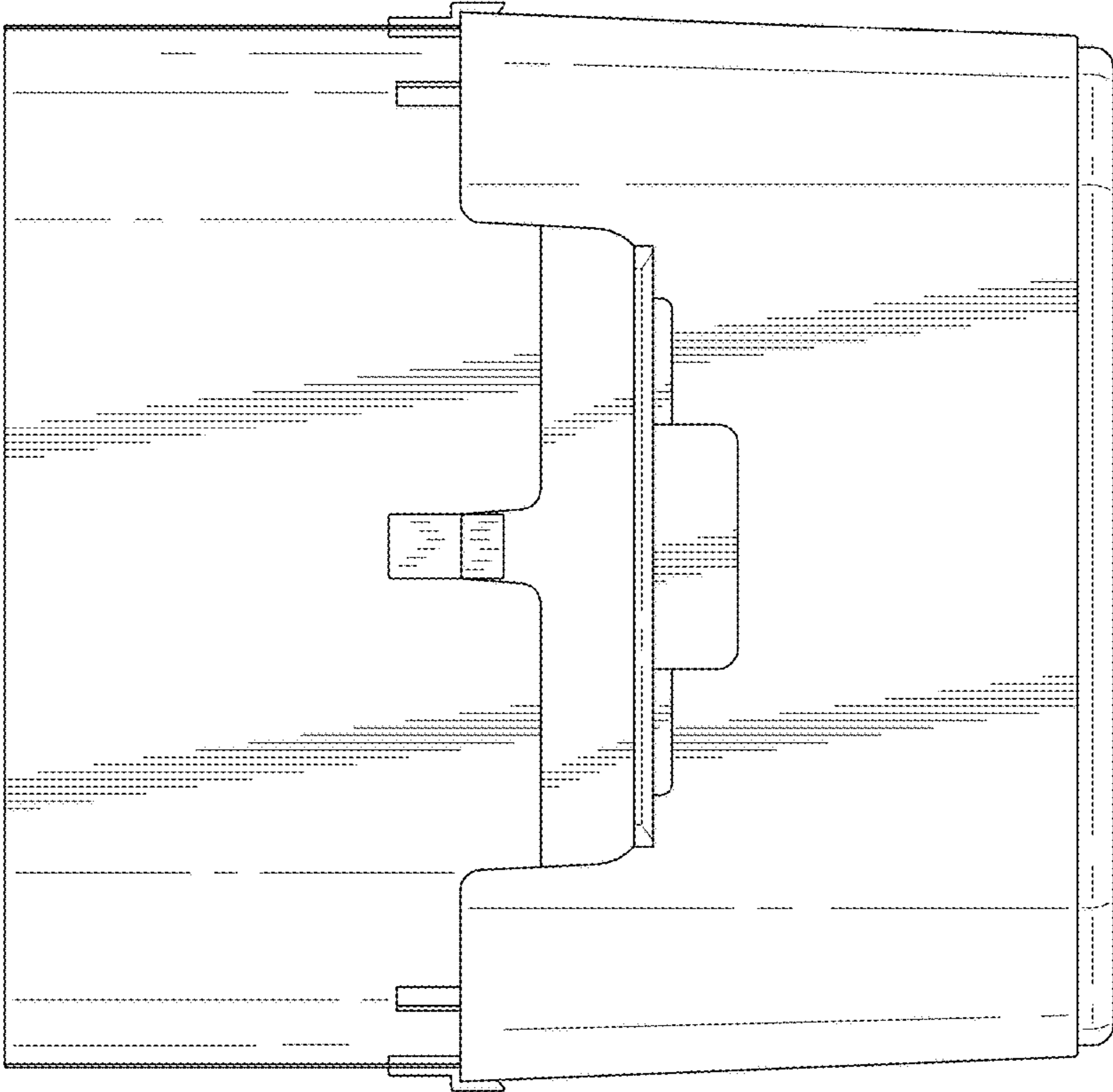


FIG. 5

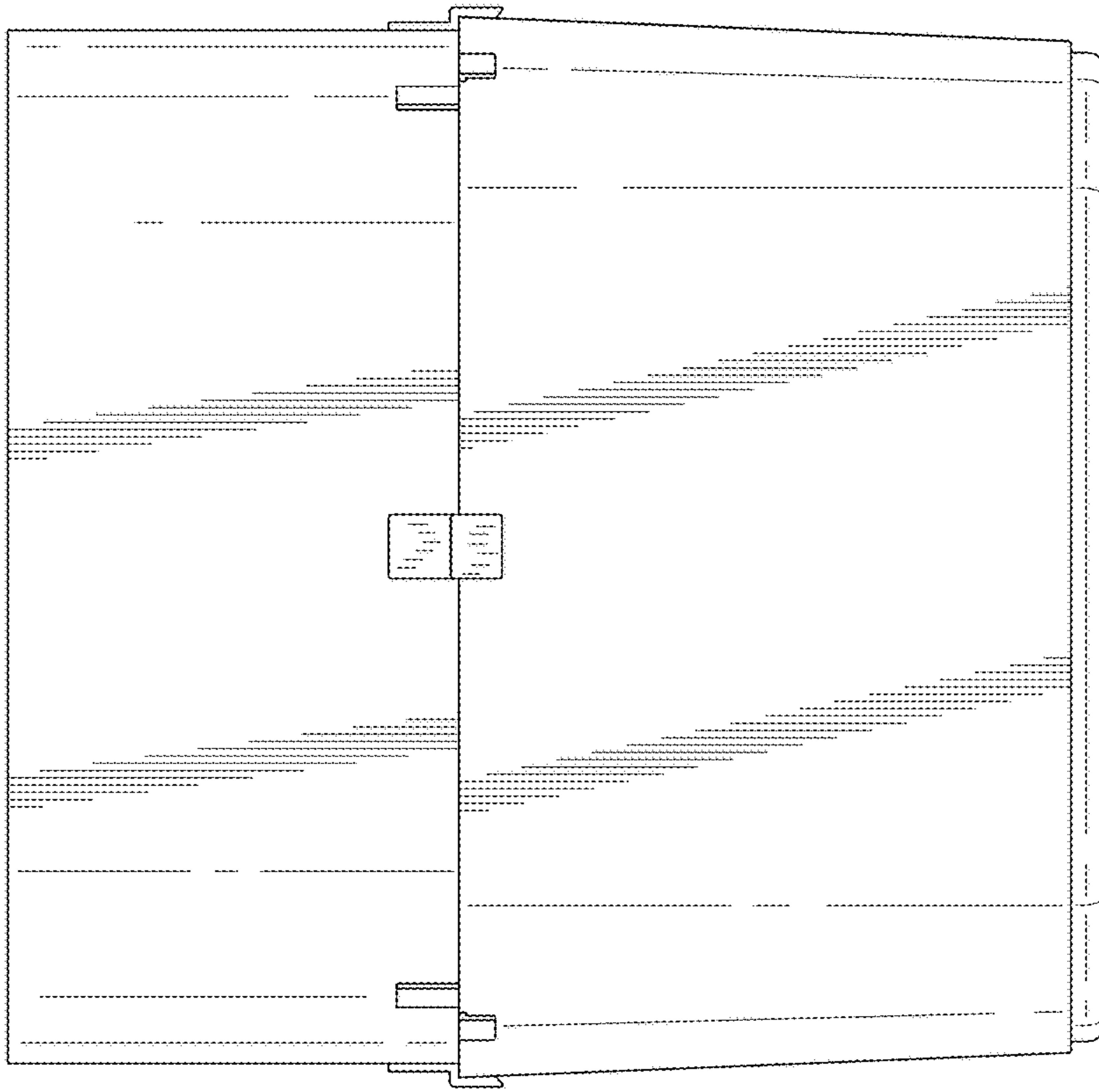


FIG. 6

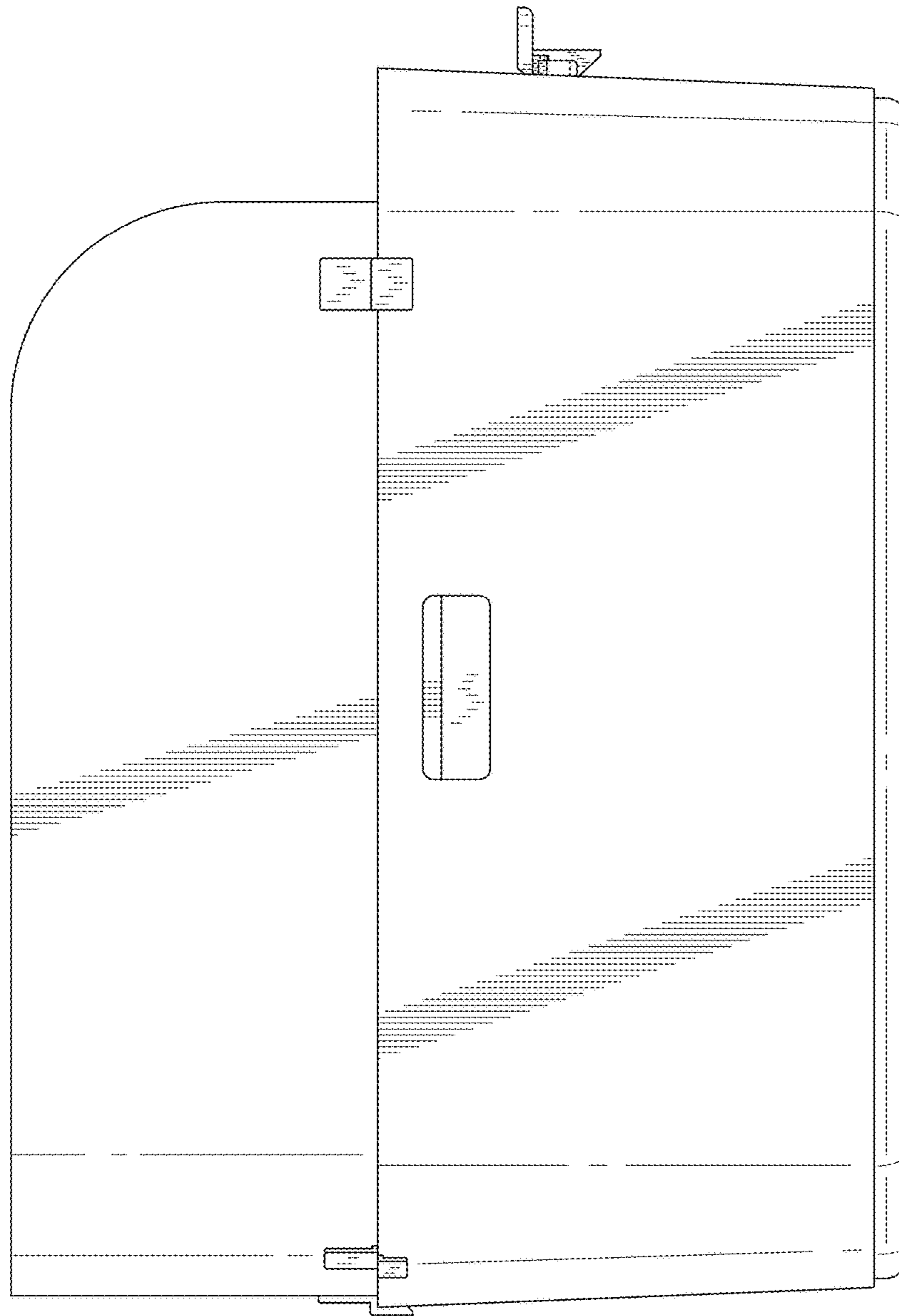


FIG. 7

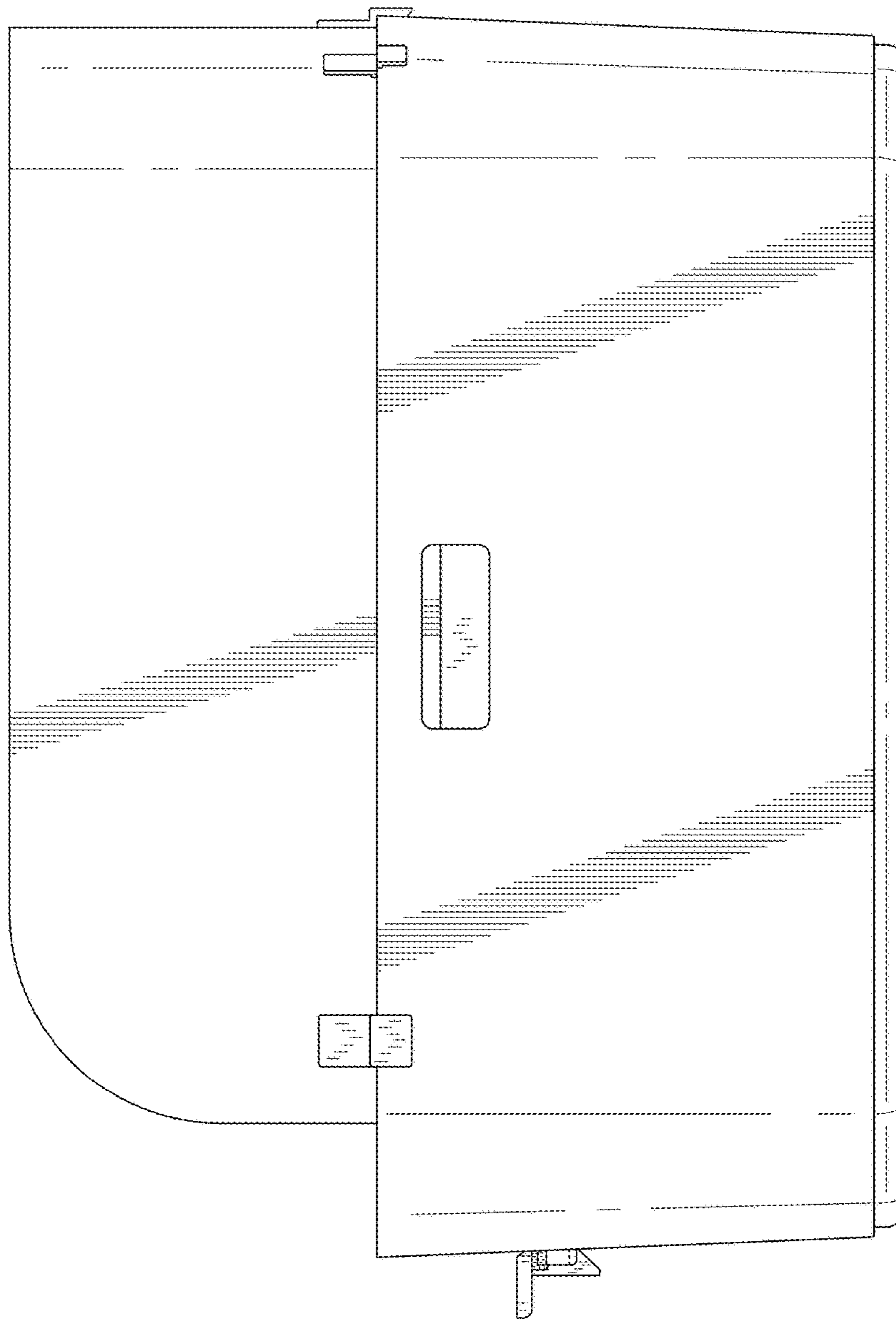


FIG. 8