



US00D850023S

(12) **United States Design Patent** (10) **Patent No.:** **US D850,023 S**
Lown (45) **Date of Patent:** **** May 28, 2019**

(54) **HANDLE DESIGN**

(71) Applicant: **VUFF LLC**, Newburgh, NY (US)

(72) Inventor: **Aaron Lown**, Newburgh, NY (US)

(73) Assignee: **VUFF LLC**, Newburgh, NY (US)

(**) Term: **15 Years**

(21) Appl. No.: **29/581,958**

(22) Filed: **Oct. 24, 2016**

(51) **LOC (11) Cl.** **30-04**

(52) **U.S. Cl.**

USPC **D30/153**

(58) **Field of Classification Search**

USPC D30/151-154; D3/215; D8/300, 301, D8/310

CPC .. A01K 27/003; A01K 27/004; A01K 27/002; A01K 27/00

See application file for complete search history.

(56) **References Cited**

U.S. PATENT DOCUMENTS

D194,041 S * 11/1962 Lanne D21/662
D198,757 S * 7/1964 Rogers D30/153

(Continued)

Primary Examiner — Michael A. Pratt

(74) *Attorney, Agent, or Firm* — Andrew F. Young, Esq.;
Lackenbach Siegel, LLP

(57) **CLAIM**

The ornamental design for a handle design, as shown and described.

DESCRIPTION

FIG. 1 is a top front perspective view of the handle design.
FIG. 2 is a bottom rear perspective view thereof.

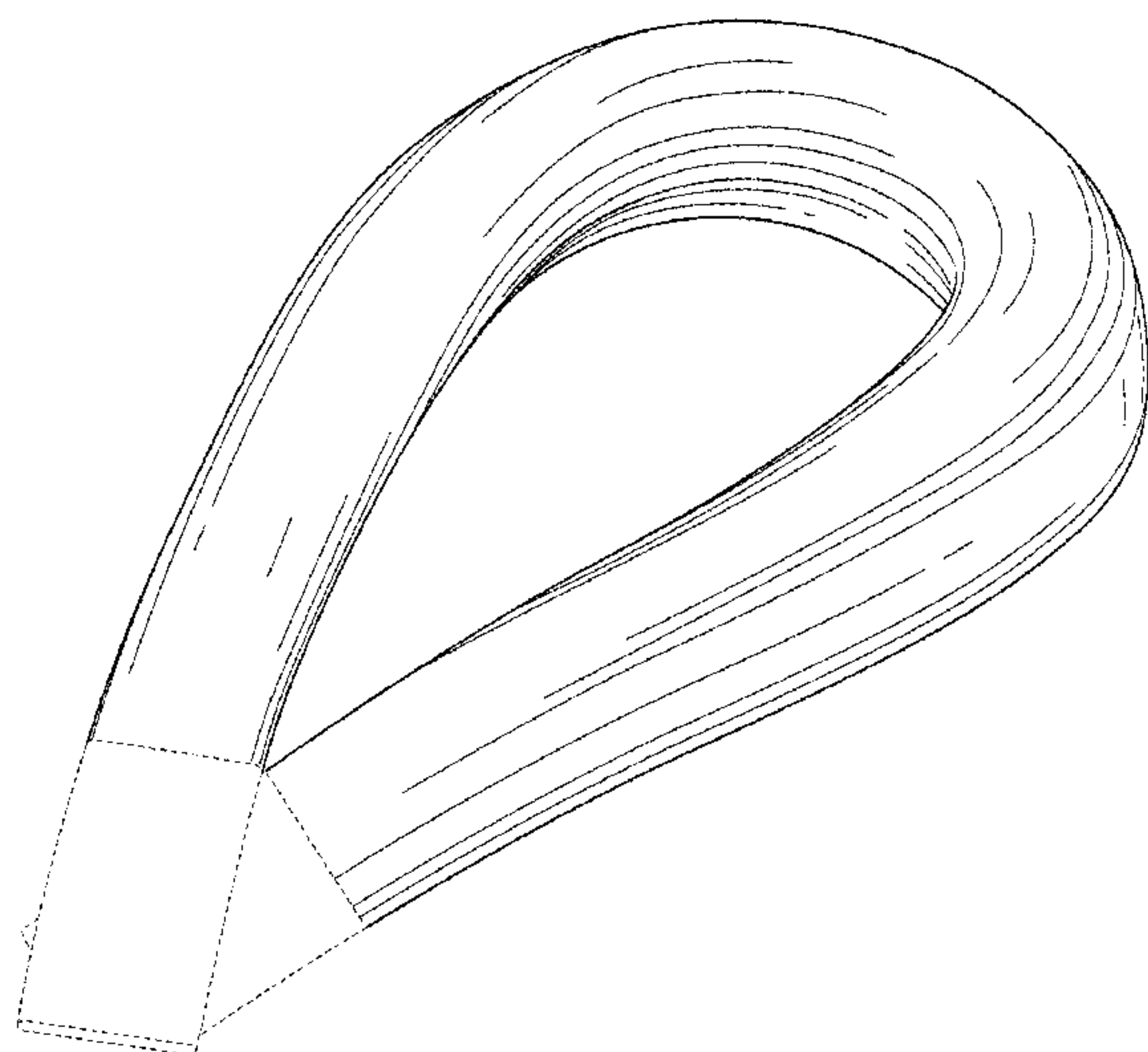


FIG. 3 is a top plan view thereof, with sectional designations referenced.

FIG. 4 is a bottom plan view thereof.

FIG. 5 is a front elevation view thereof.

FIG. 6 is a rear elevation view thereof.

FIG. 7 is a right side elevation view thereof.

FIG. 8 is a left side elevation view thereof.

FIG. 9 is an illustration aid of the handle design thereof.

FIG. 10 is a first sectional view along section 10-10 in FIG. 3.

FIG. 11 is a second sectional view along section 11-11 in FIG. 3.

FIG. 12 is a third sectional view along section 12-12 in FIG. 3.

FIG. 13 is top front perspective view of handle design of the present invention having a surface texture.

FIG. 14 is a bottom rear perspective view of FIG. 13.

FIG. 15 is a top plan view thereof.

FIG. 16 is a bottom plan view thereof.

FIG. 17 is a front elevation view thereof.

FIG. 18 is a rear elevation view thereof

FIG. 19 is a right side elevation view thereof.

FIG. 20 is a left side elevation view thereof; and,

FIG. 21 is an enlarged perspective detailed view.

The surface of FIGS. 1-20 are lightly lined for contour only.

The dash-dash lines indicate environmental subject matter and form no part of the claimed design. The dash-dot-dash lines designate the boundary of claimed subject matter in the cross-sectional views FIGS. 10-12, and indicate sectional lines-designates in FIG. 3, and form no part of the claimed design. FIG. 9 is provided as an illustrative aid for the handle design. Sectional views FIGS. 10-12, are illustrative aids for the handle design to note the outer claimed surface contour. FIGS. 13-21 are a similar shape as FIGS. 1-12 and claim an ornamental surface texture noted in FIG. 21. There is no claim to surfaces not shown. There is no claim to the inner portion or inner surfaces of the handle design. The dot-dash-dot broken line encircling the detailed view on FIGS. 18 and 21 does not form any portion of the claimed design.

FIGS. 13-21 are a similar shape as FIGS. 1-12 and claim an ornamental surface texture noted in FIG. 21. There is no claim to surfaces not shown. There is no claim to the inner portion or inner surfaces of the handle design. The dot-dash-dot broken line encircling the detailed view on FIGS. 18 and 21 does not form any portion of the claimed design.

FIG. 9 is provided as an illustrative aid for the handle design. Sectional views FIGS. 10-12, are illustrative aids for the handle design to note the outer claimed surface contour.

FIGS. 13-21 are a similar shape as FIGS. 1-12 and claim an ornamental surface texture noted in FIG. 21. There is no claim to surfaces not shown. There is no claim to the inner portion or inner surfaces of the handle design. The dot-dash-dot broken line encircling the detailed view on FIGS. 18 and 21 does not form any portion of the claimed design.

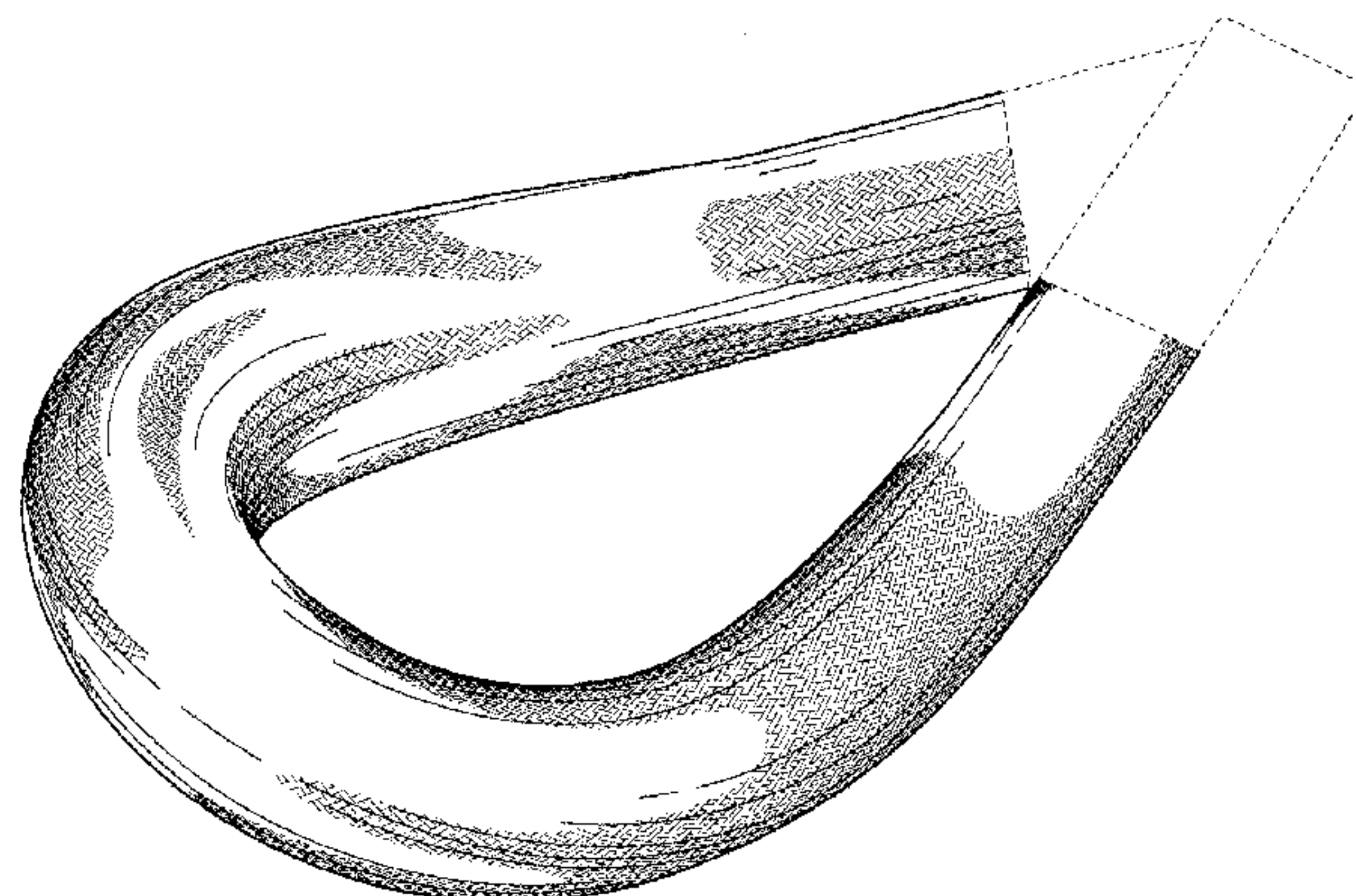
FIGS. 13-21 are a similar shape as FIGS. 1-12 and claim an ornamental surface texture noted in FIG. 21. There is no claim to surfaces not shown. There is no claim to the inner portion or inner surfaces of the handle design. The dot-dash-dot broken line encircling the detailed view on FIGS. 18 and 21 does not form any portion of the claimed design.

FIGS. 13-21 are a similar shape as FIGS. 1-12 and claim an ornamental surface texture noted in FIG. 21. There is no claim to surfaces not shown. There is no claim to the inner portion or inner surfaces of the handle design. The dot-dash-dot broken line encircling the detailed view on FIGS. 18 and 21 does not form any portion of the claimed design.

FIGS. 13-21 are a similar shape as FIGS. 1-12 and claim an ornamental surface texture noted in FIG. 21. There is no claim to surfaces not shown. There is no claim to the inner portion or inner surfaces of the handle design. The dot-dash-dot broken line encircling the detailed view on FIGS. 18 and 21 does not form any portion of the claimed design.

FIGS. 13-21 are a similar shape as FIGS. 1-12 and claim an ornamental surface texture noted in FIG. 21. There is no claim to surfaces not shown. There is no claim to the inner portion or inner surfaces of the handle design. The dot-dash-dot broken line encircling the detailed view on FIGS. 18 and 21 does not form any portion of the claimed design.

1 Claim, 16 Drawing Sheets



(56)

References Cited

U.S. PATENT DOCUMENTS

3,722,942	A *	3/1973	Baur	D07B 1/18 294/74
4,815,174	A *	3/1989	Sou	A01K 27/004 24/136 R
D360,711	S *	7/1995	O'Neill	119/771
D362,519	S *	9/1995	Jacobsen	D30/153
D454,415	S *	3/2002	Leverenz	D30/152
D612,499	S *	3/2010	Ondracek	A61F 2/90 D24/155
D663,699	S *	7/2012	Nakamura	D13/156
D695,976	S *	12/2013	Allen, Jr.	D30/153
D743,115	S *	11/2015	Byrne	D30/160
D743,639	S *	11/2015	Byrne	D30/160
D760,667	S *	7/2016	Grote	D13/153
D796,124	S *	8/2017	Ying	D30/153
D827,217	S *	8/2018	Chefetz	D30/153
2009/0145372	A1 *	6/2009	Fithian	A01K 27/003 119/795
2011/0192355	A1 *	8/2011	Van Duyl-Spaargaren	A01K 27/002 119/793
2016/0278344	A1 *	9/2016	Fang	A01K 27/003
2016/0338322	A1 *	11/2016	Letke	A01K 27/003

* cited by examiner

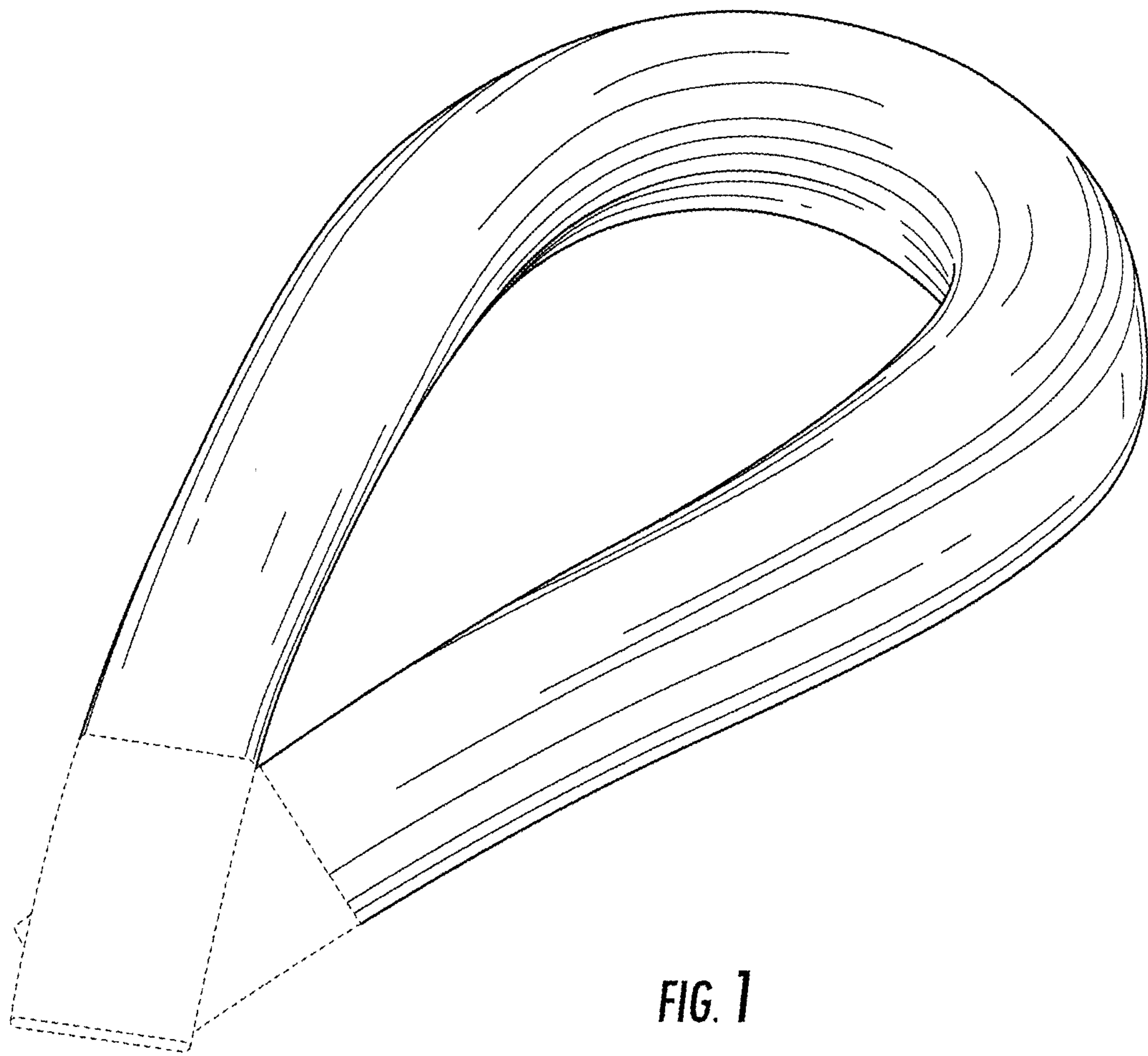


FIG. 1

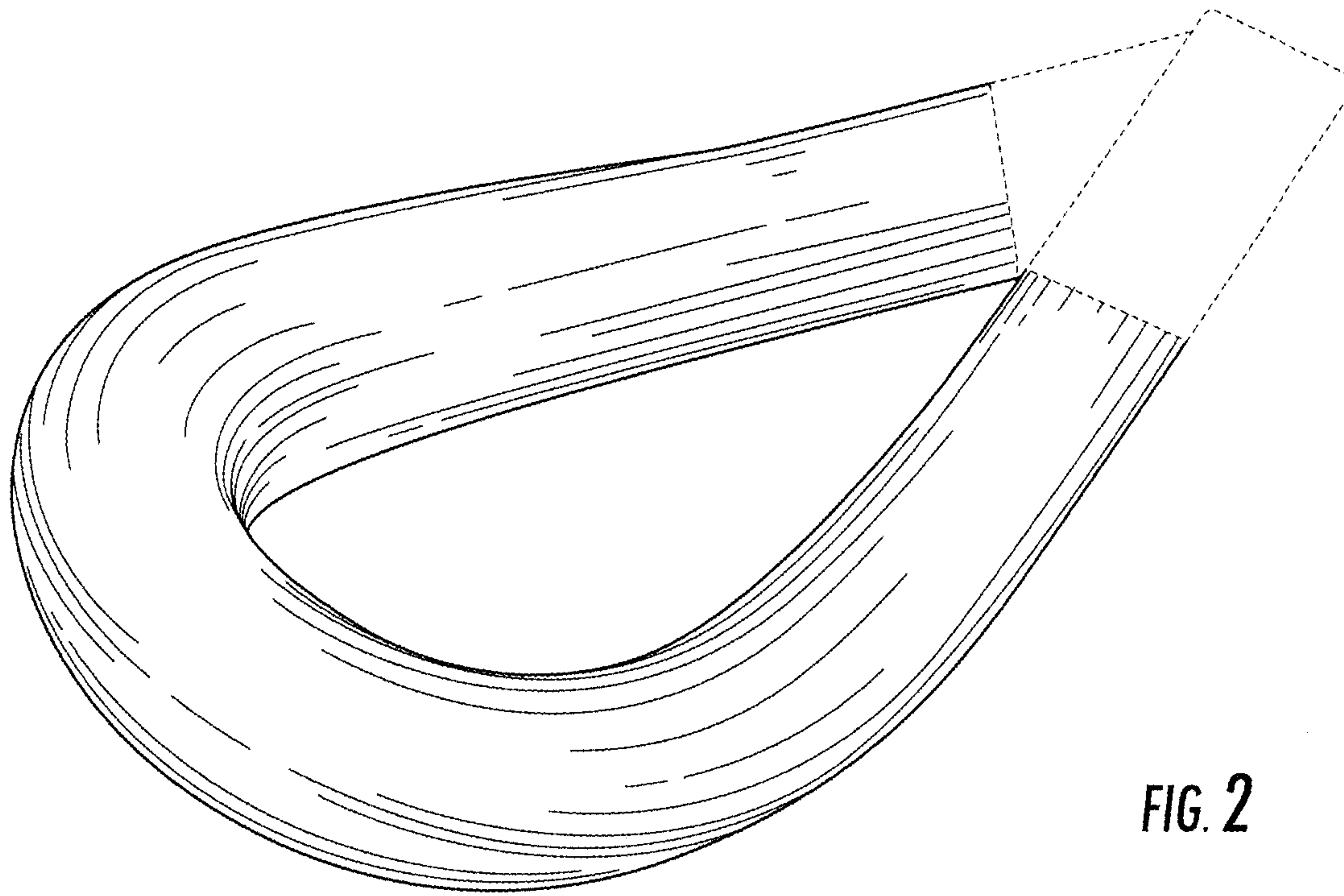


FIG. 2

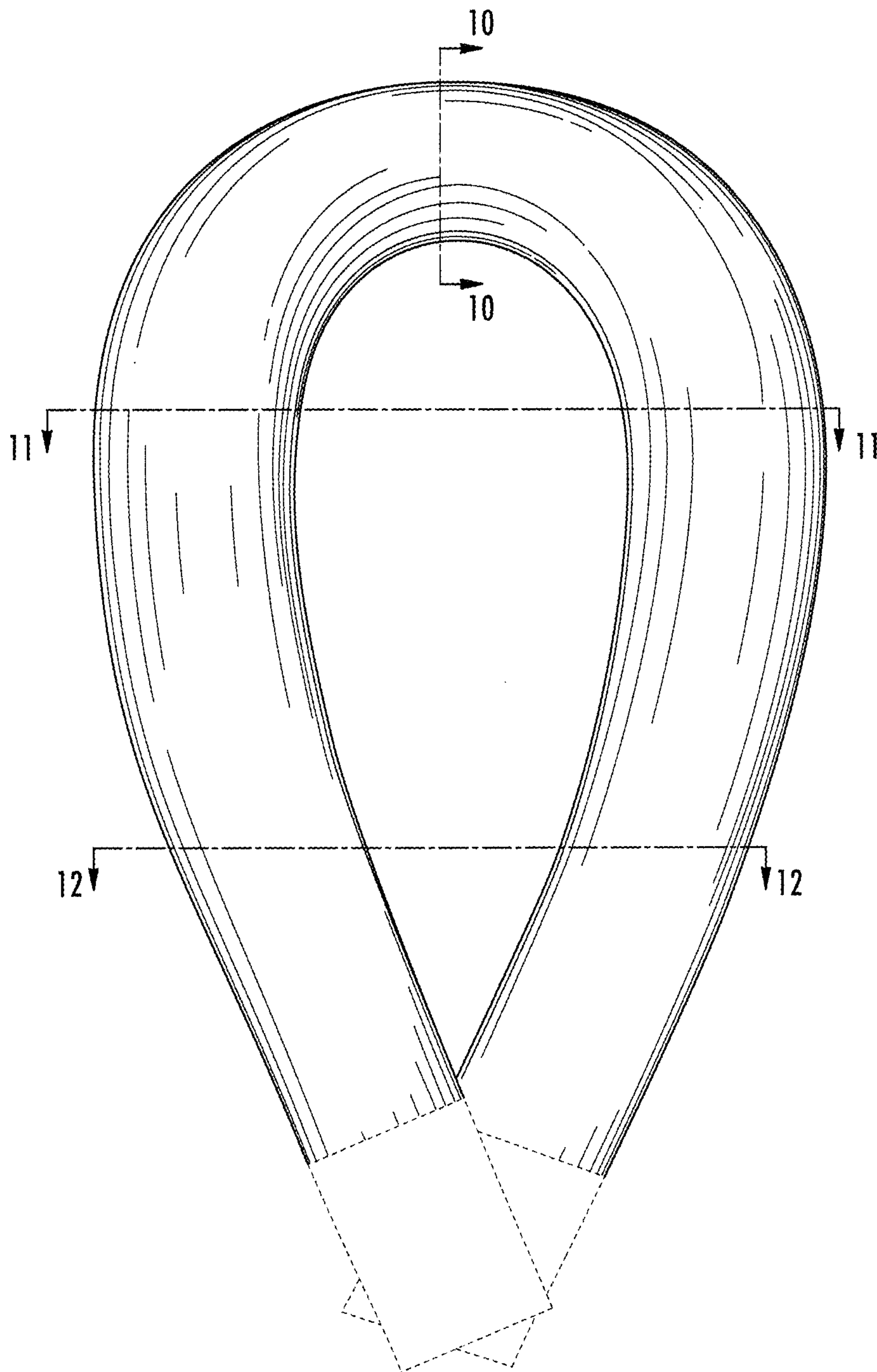


FIG. 3

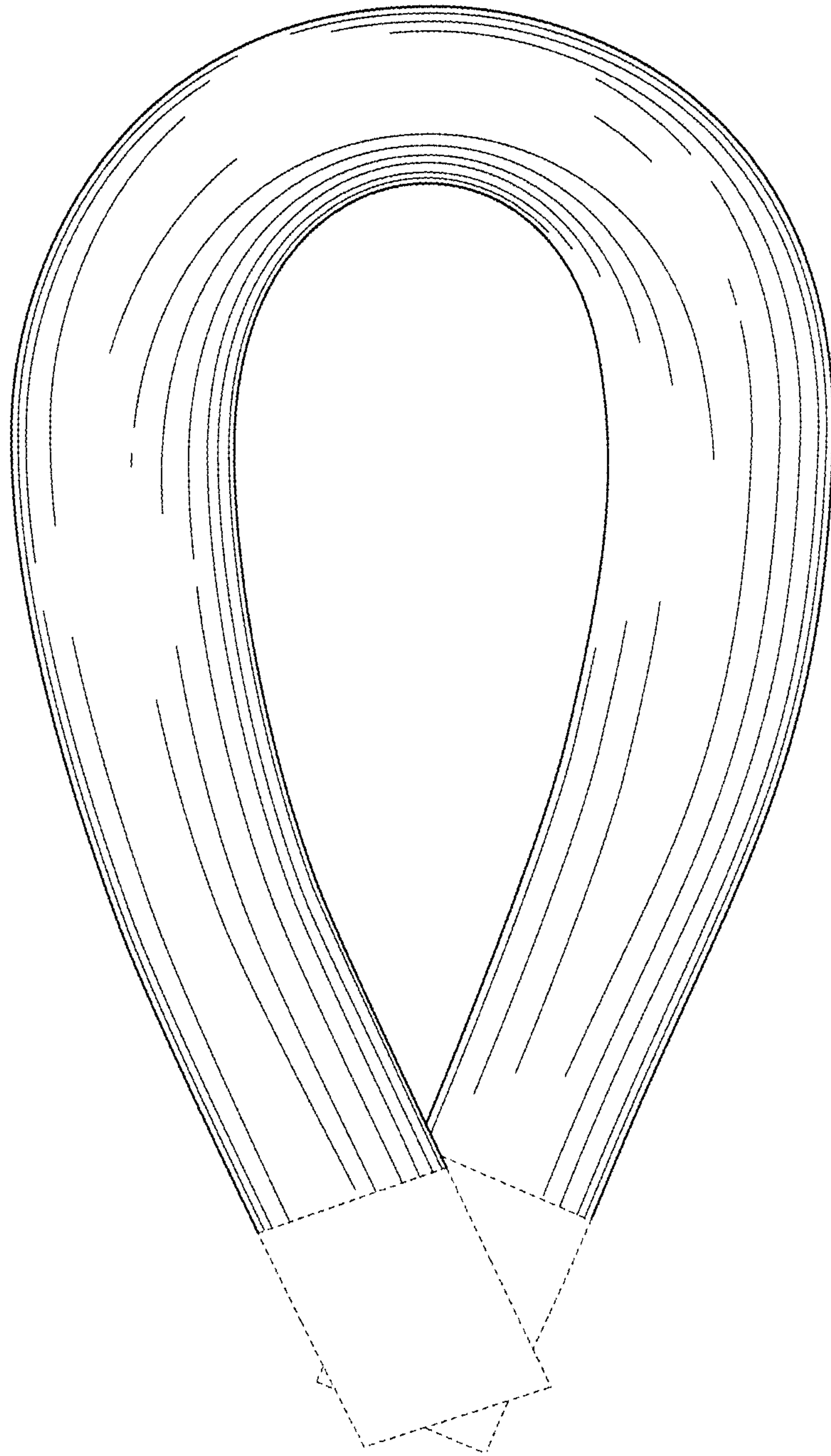


FIG. 4

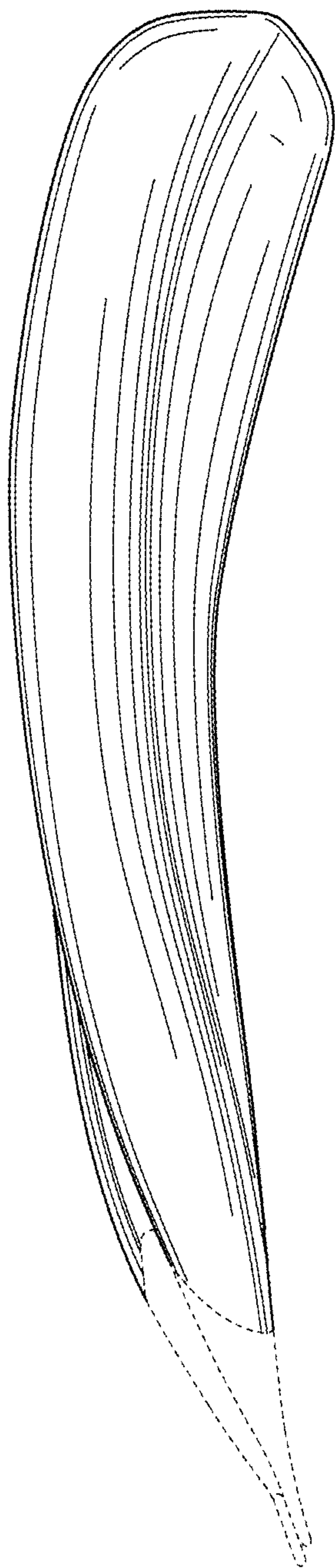


FIG. 5

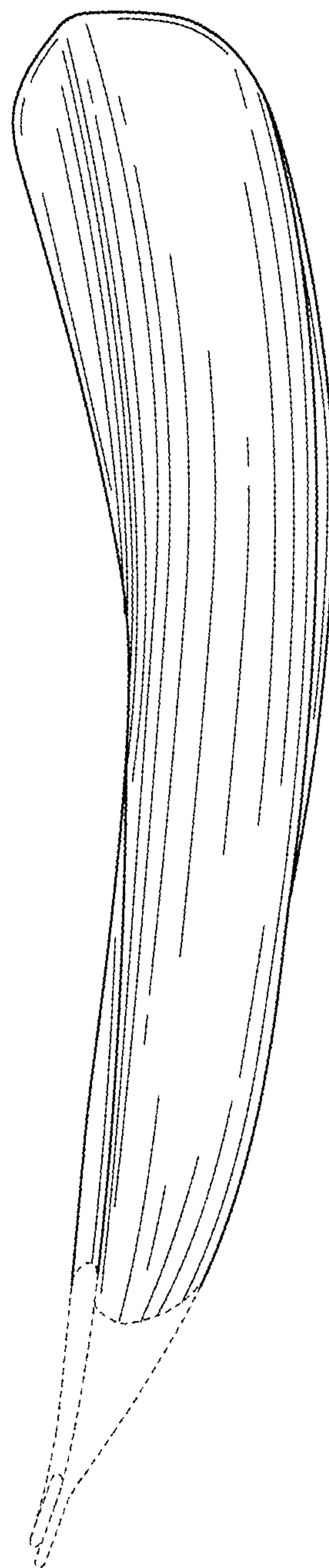


FIG. 6

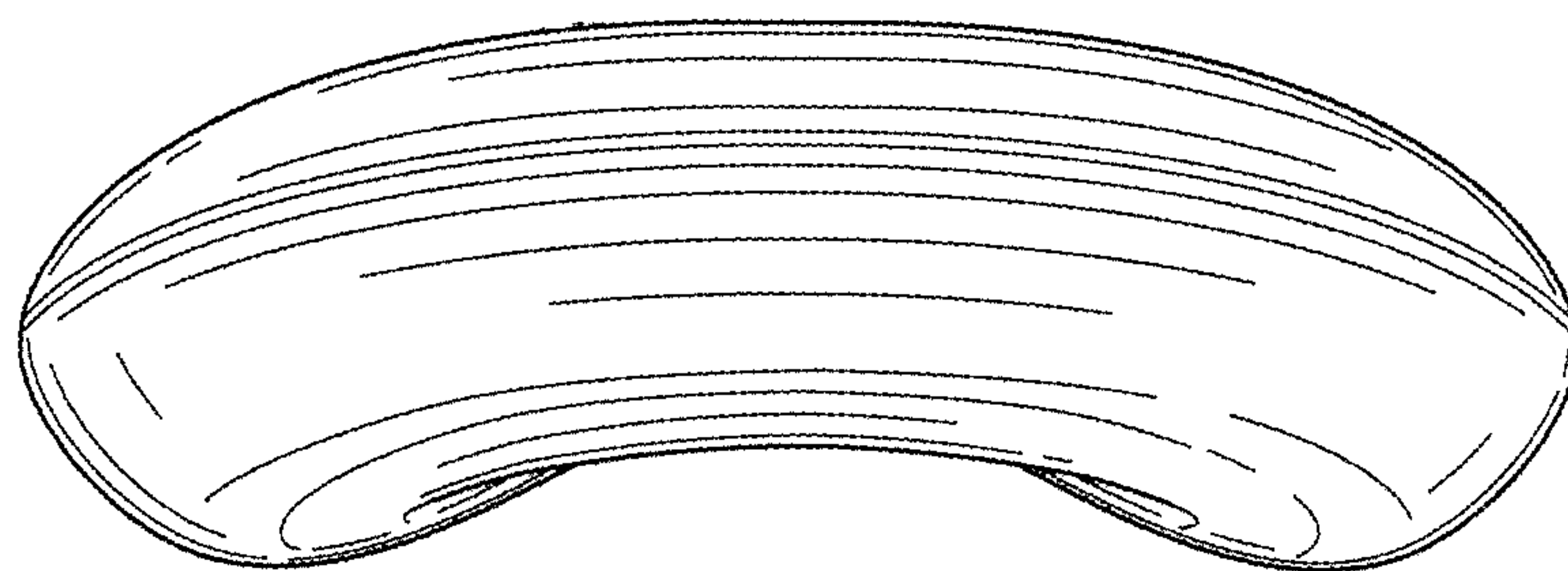


FIG. 7

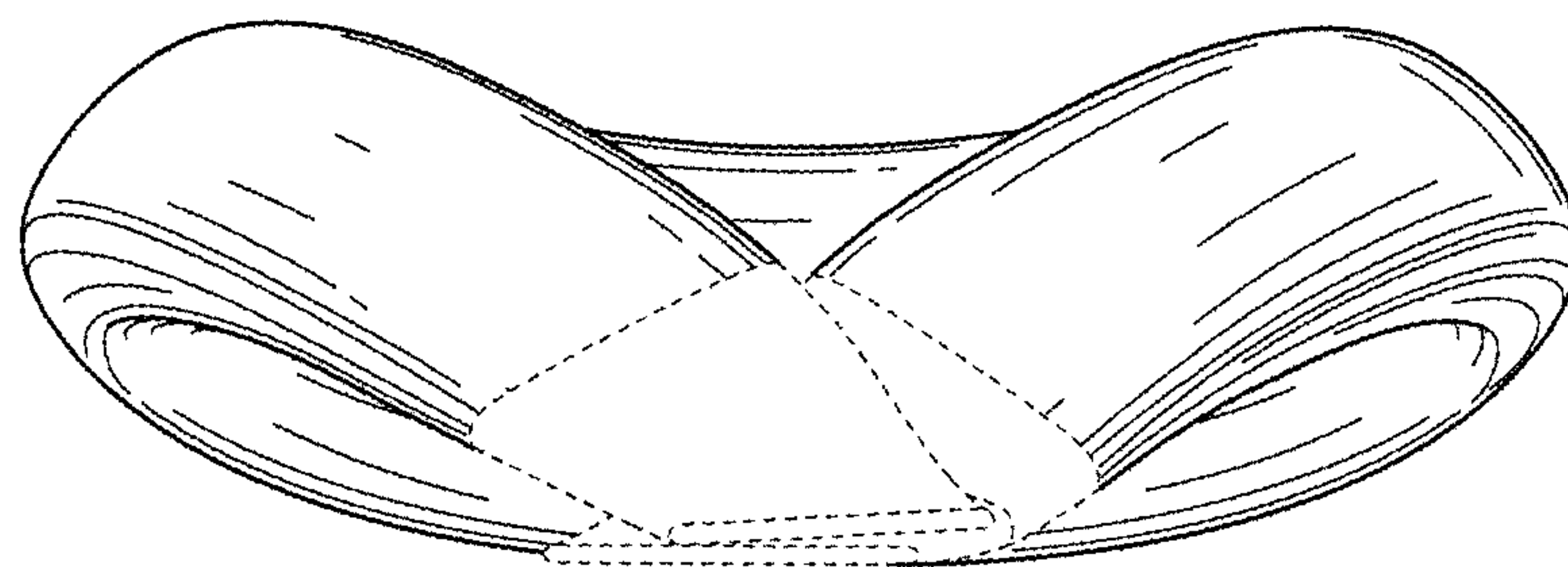


FIG. 8

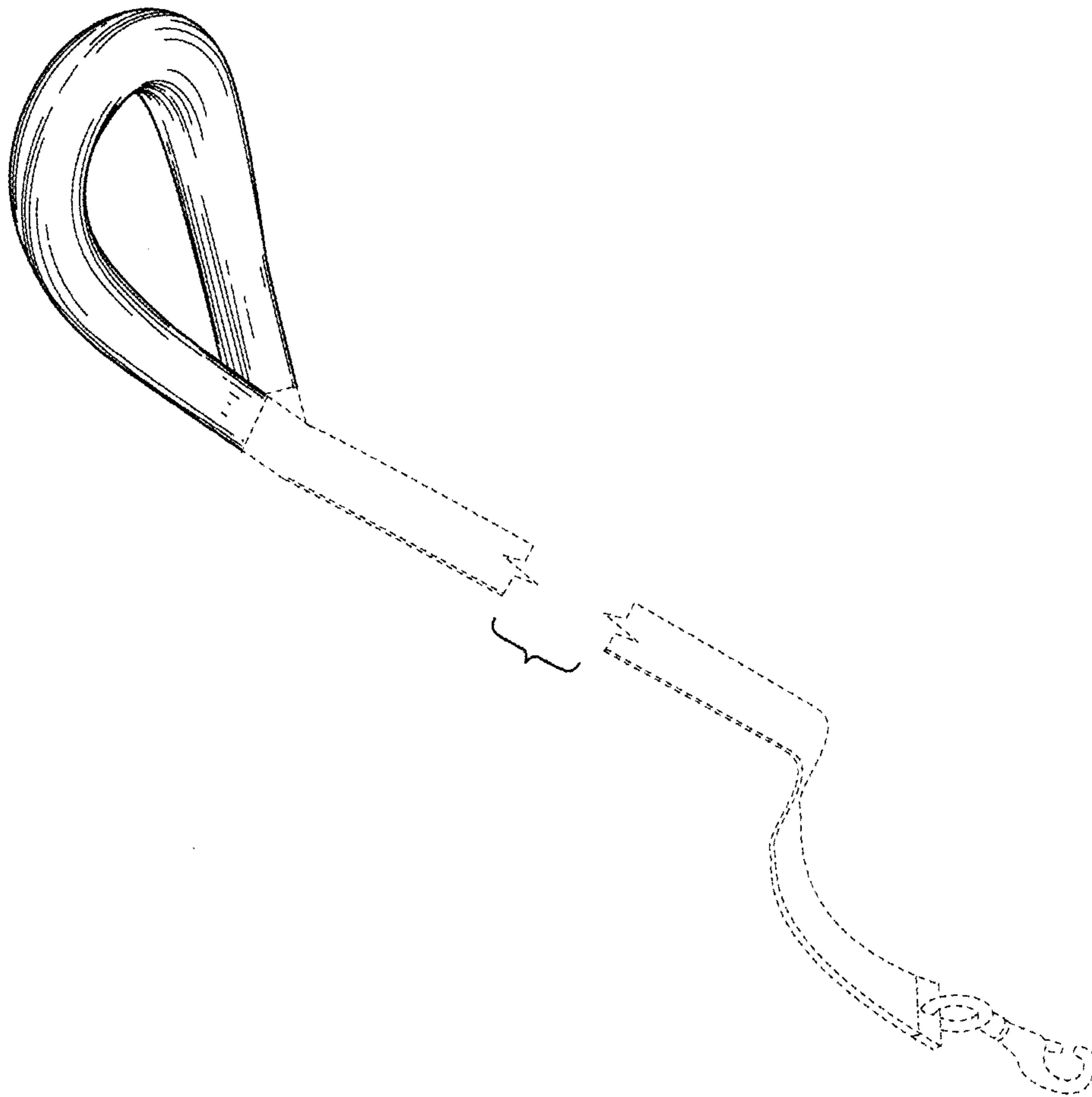


FIG. 9

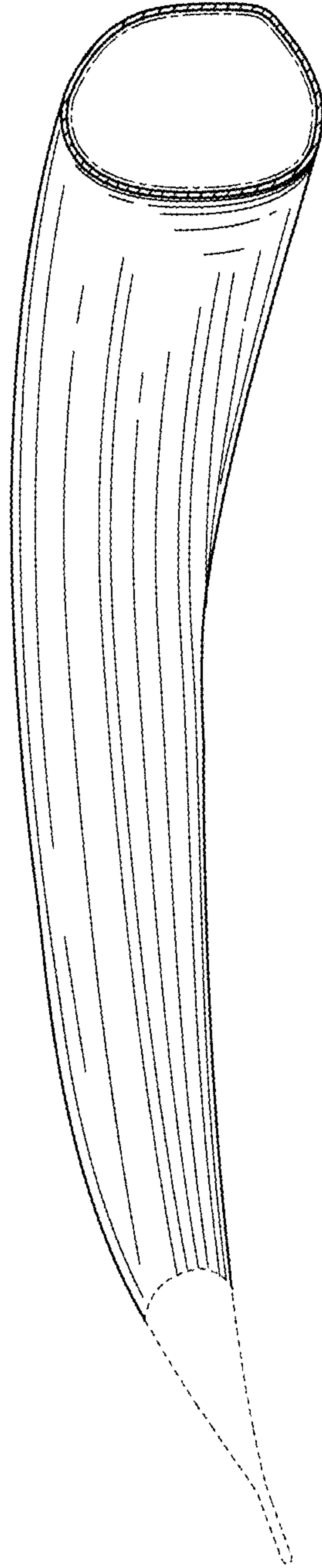


FIG. 10

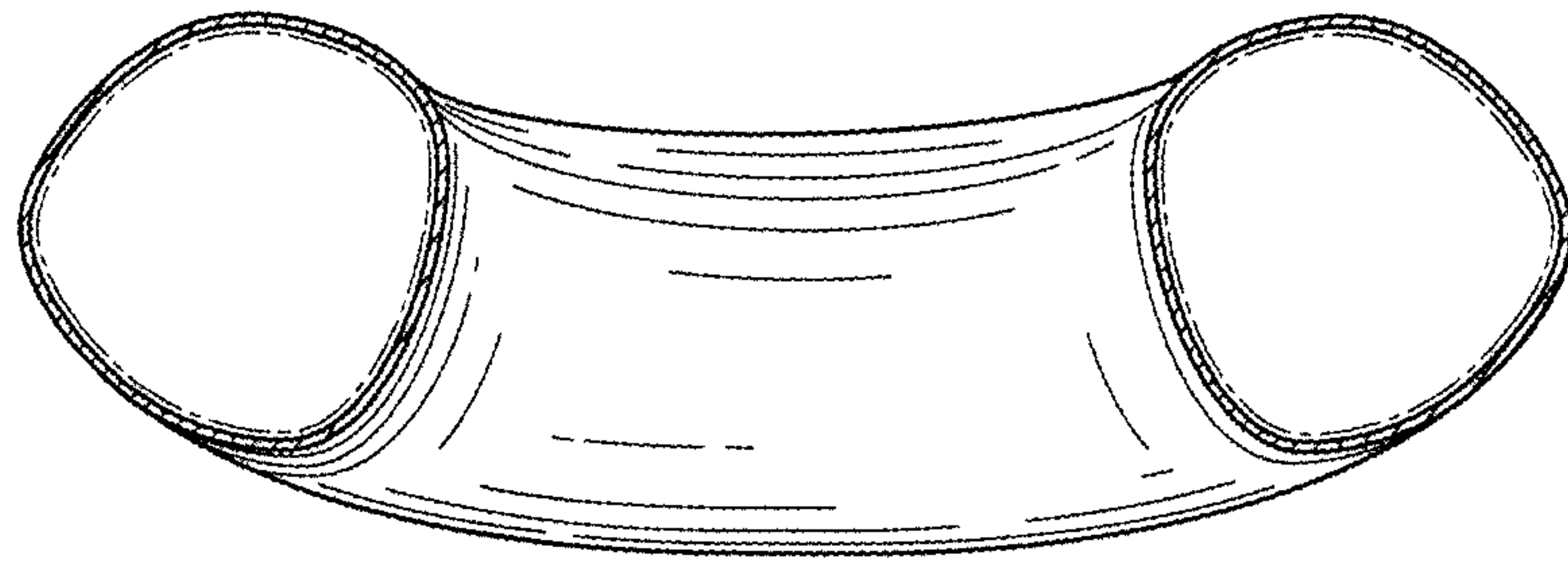


FIG. 11

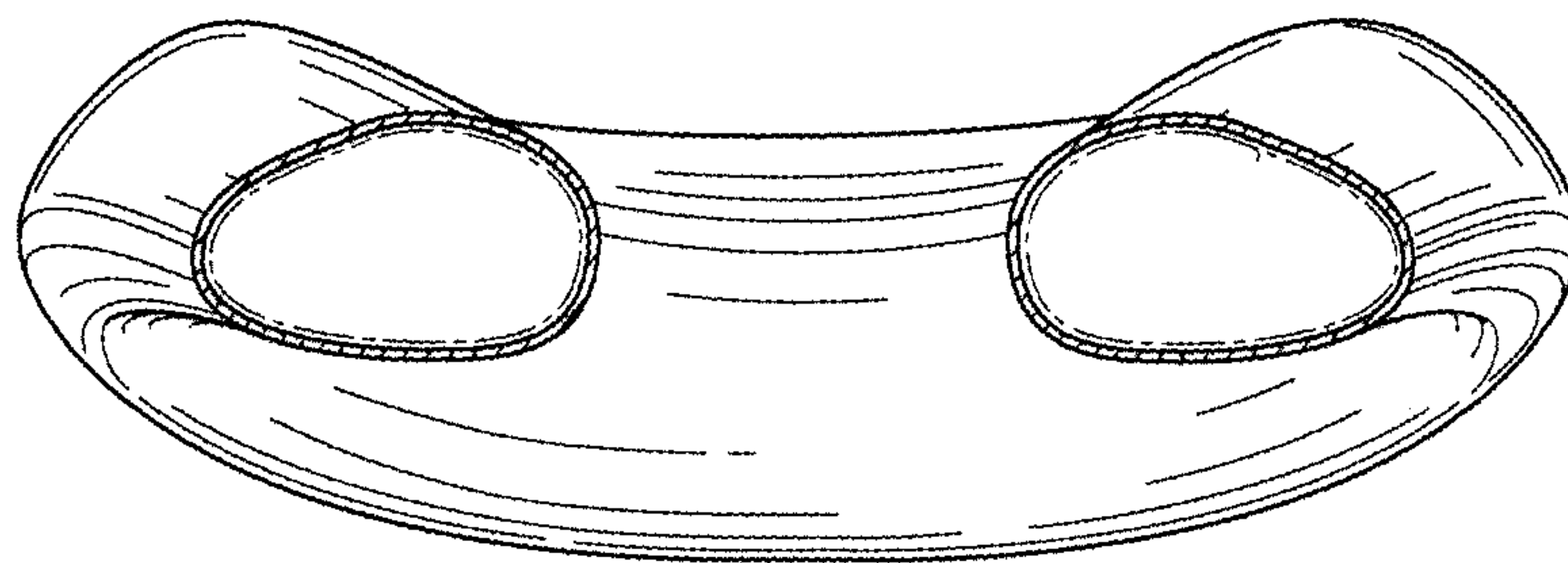


FIG. 12

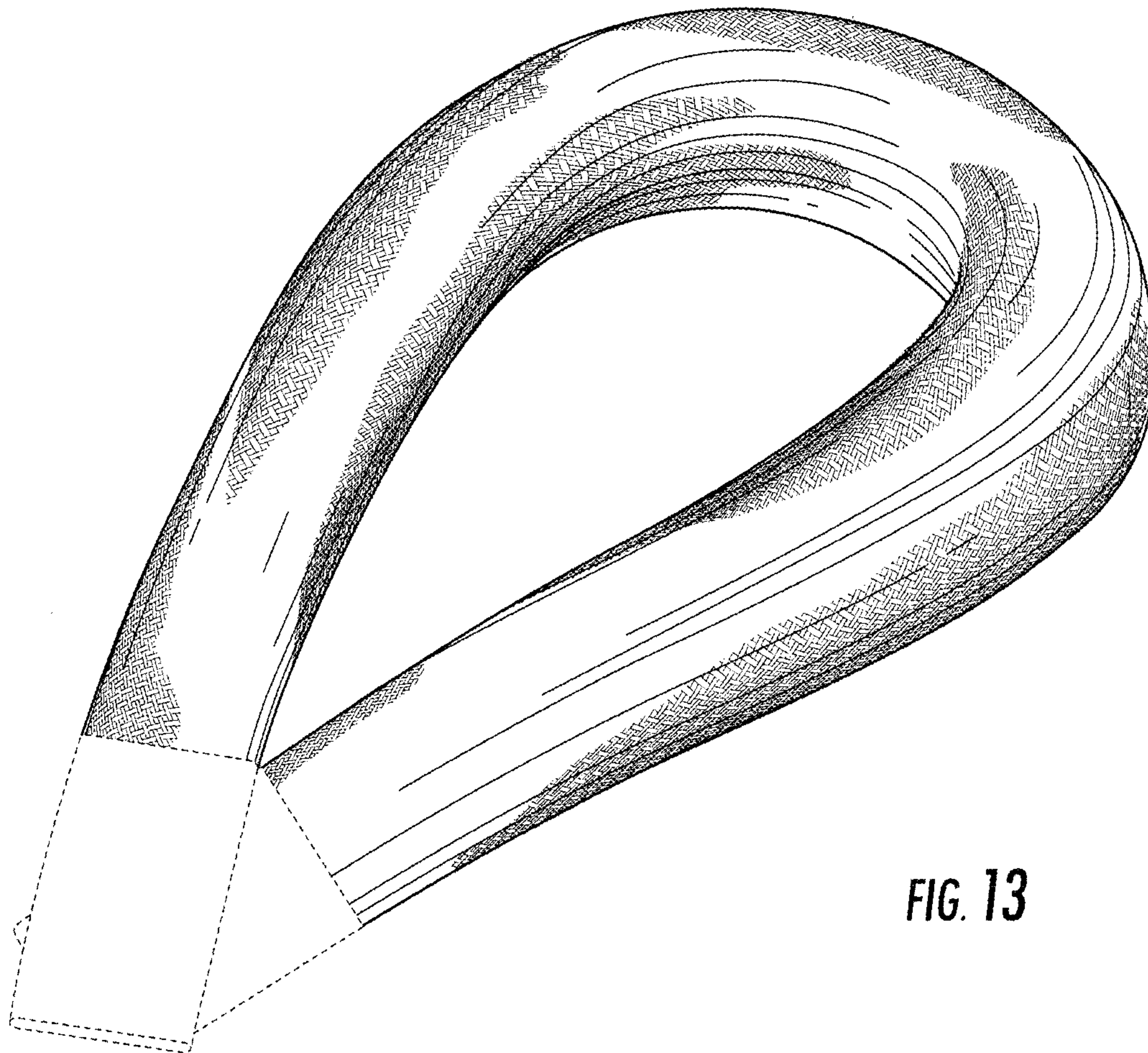


FIG. 13

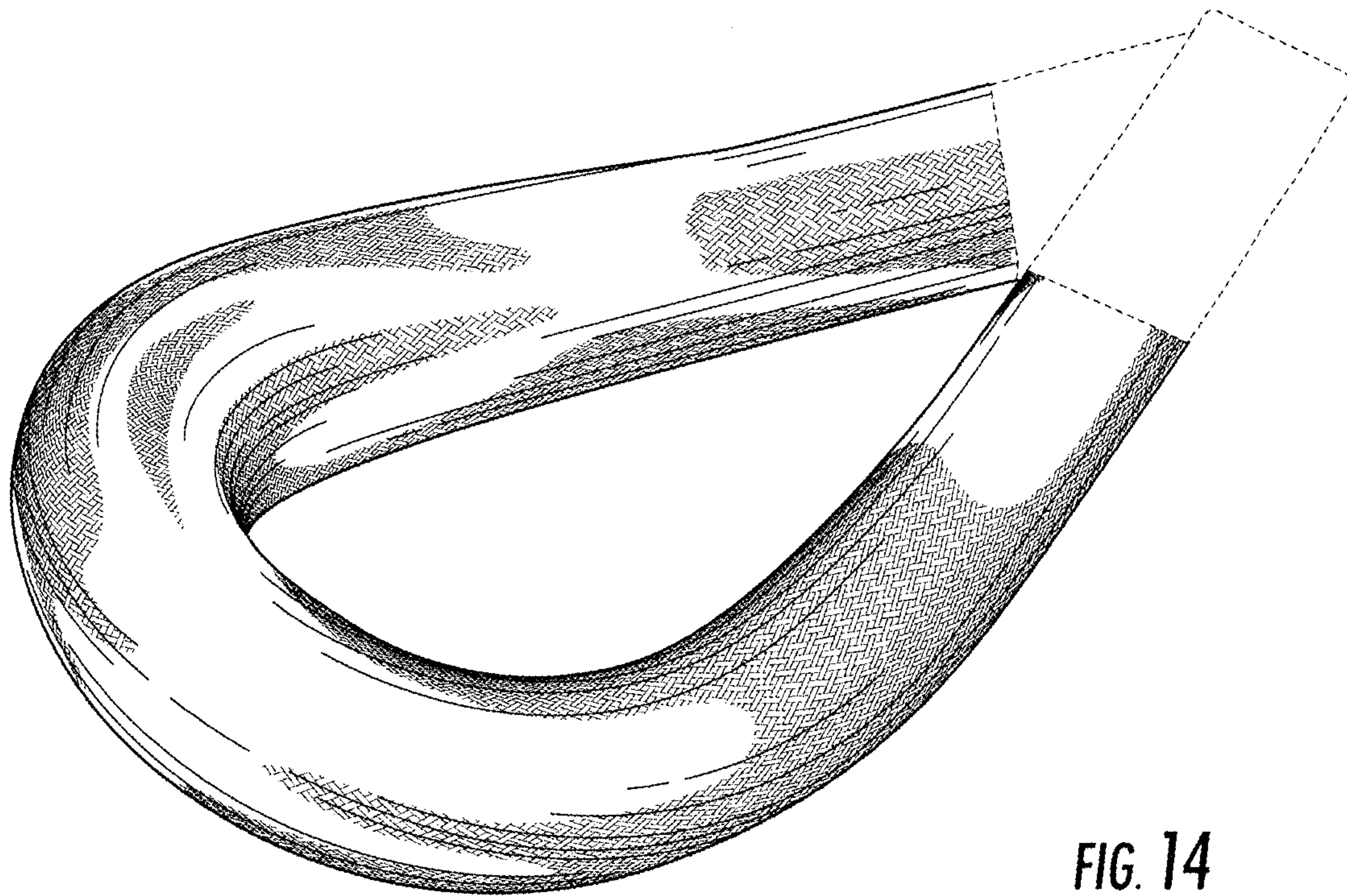


FIG. 14

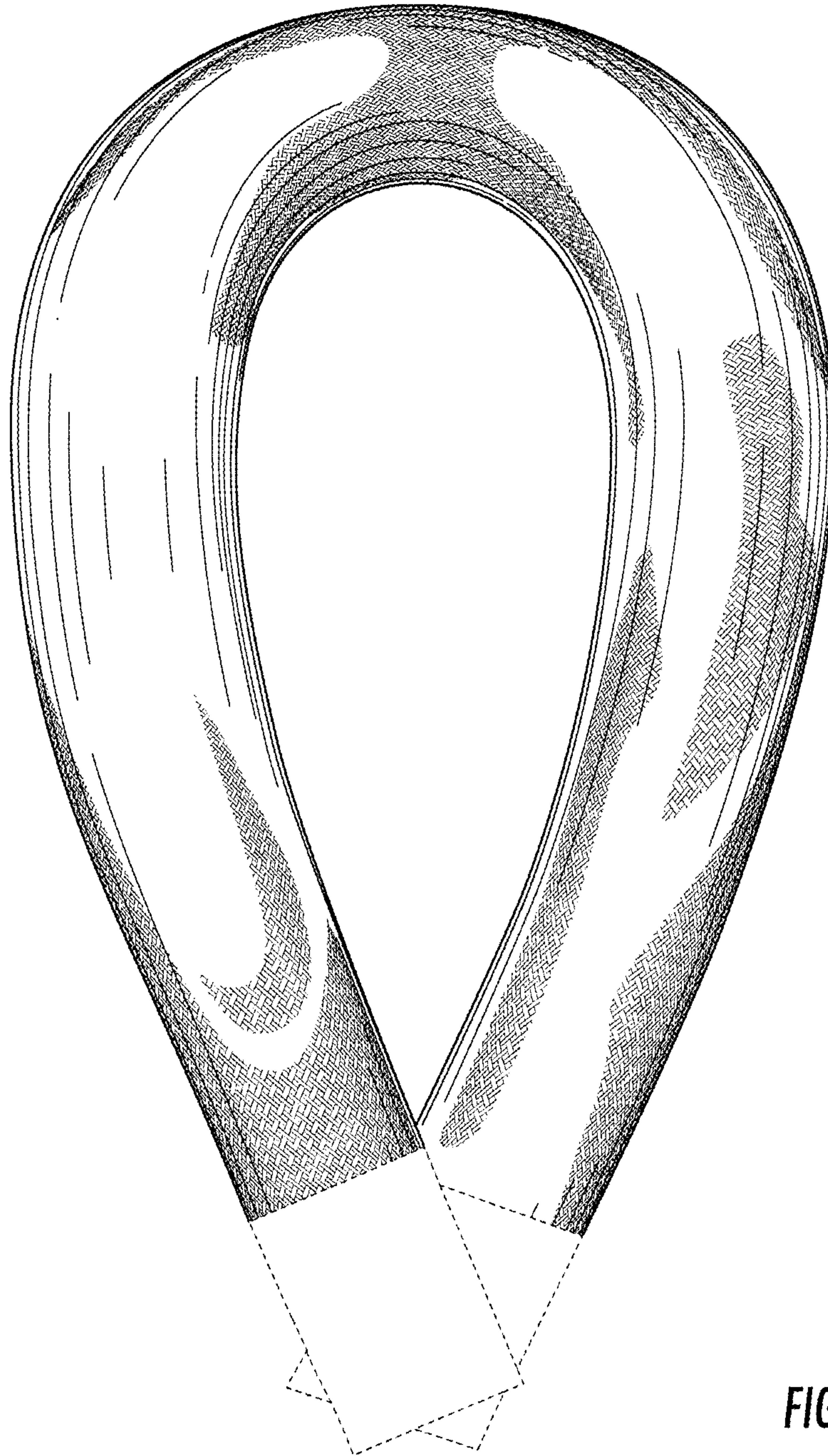


FIG. 15

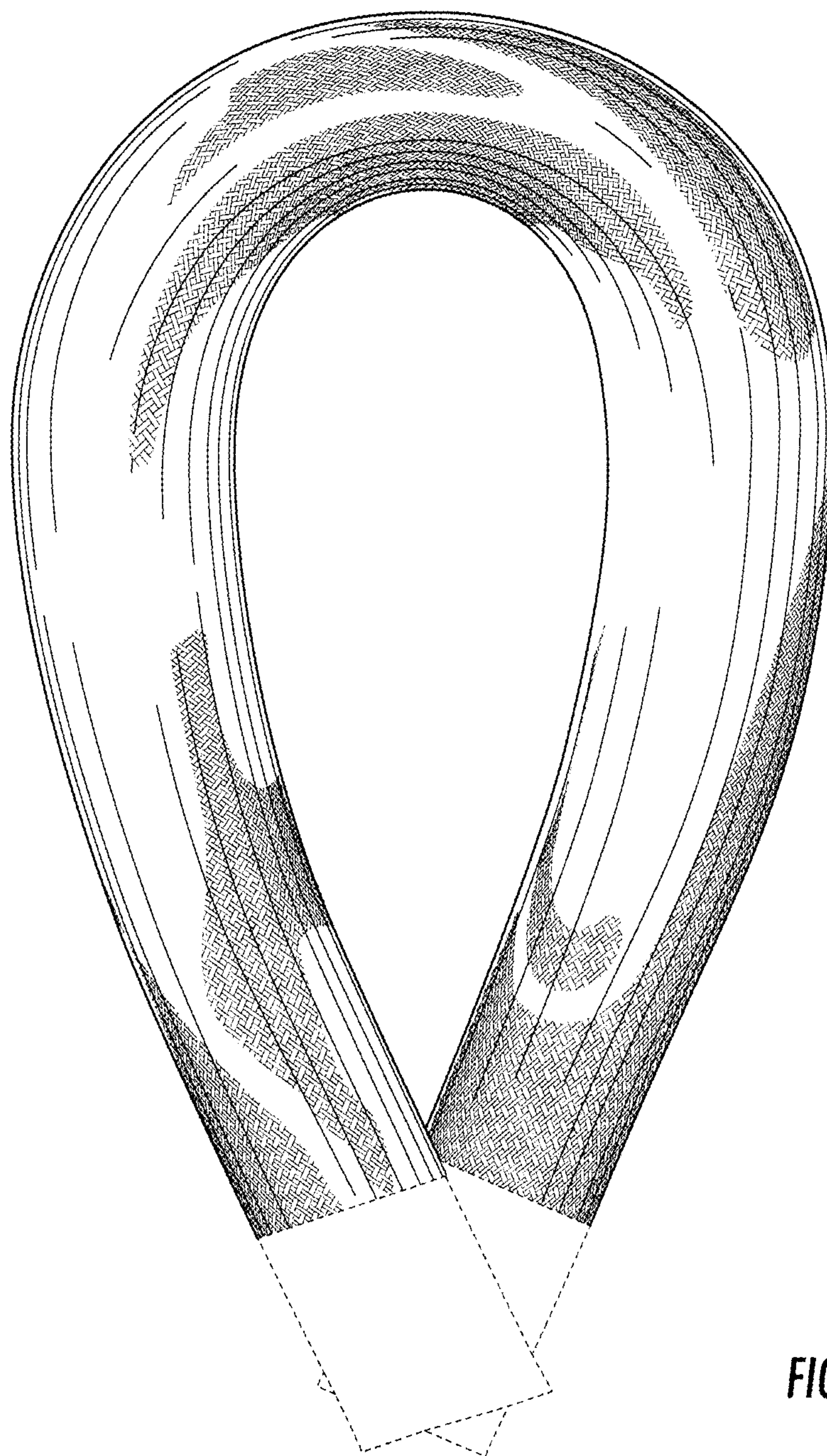


FIG. 16

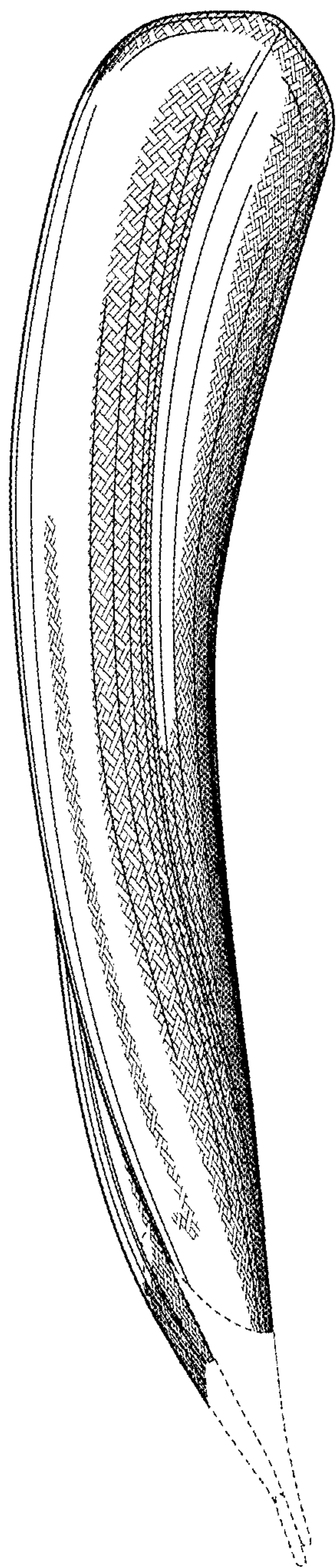


FIG. 17

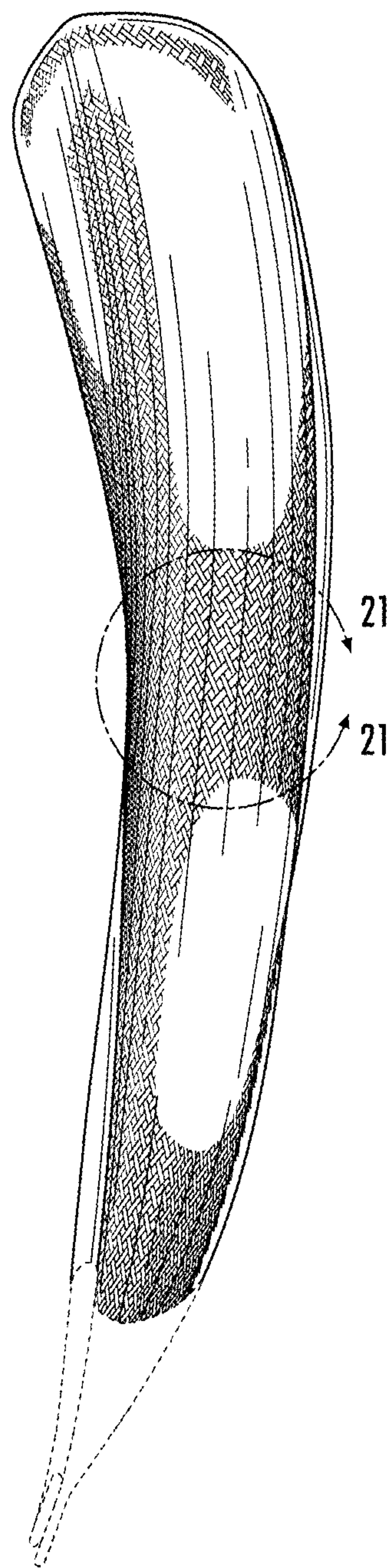


FIG. 18

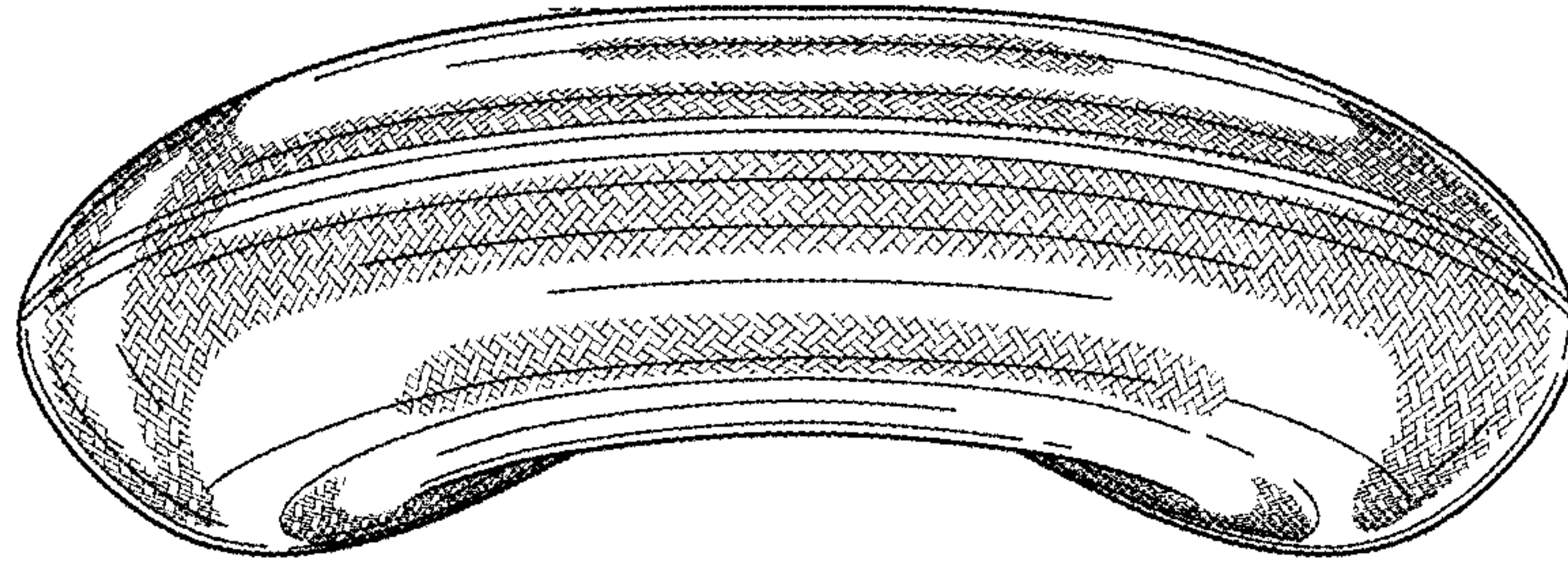


FIG. 19

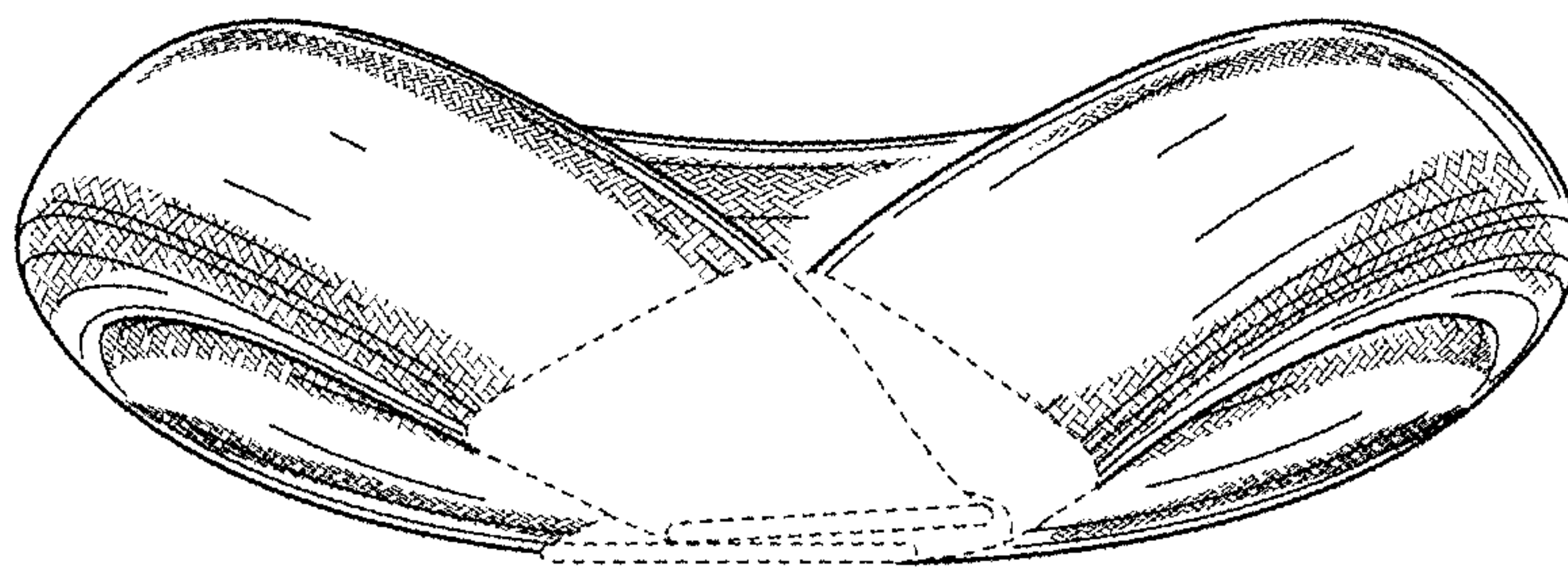


FIG. 20

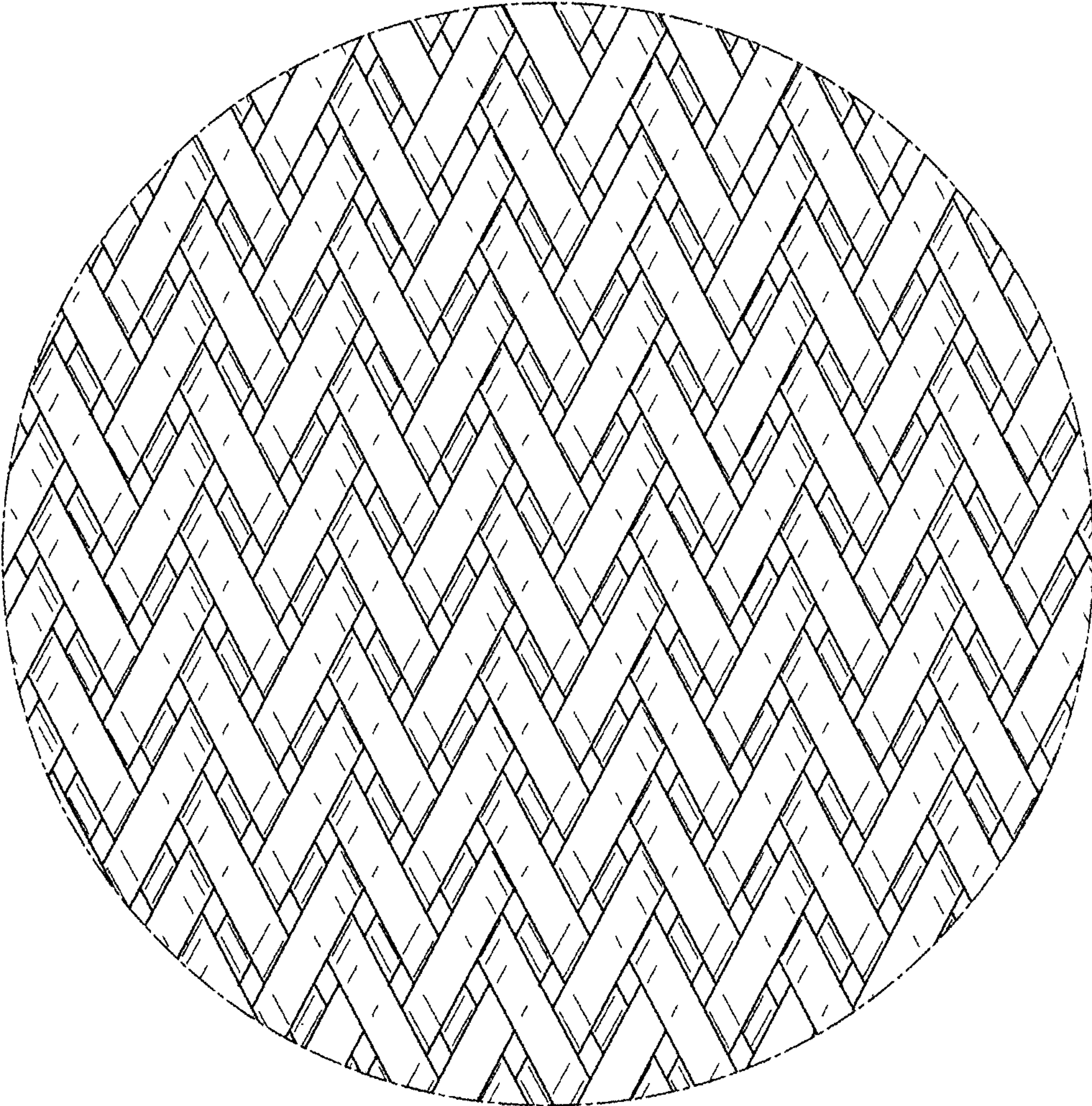


FIG. 21