



US00D850022S

(12) **United States Design Patent** (10) **Patent No.:** **US D850,022 S**
Stouder et al. (45) **Date of Patent:** **** May 28, 2019**

- (54) **ANIMAL HARNESS**
- (71) Applicant: **PetSmart Home Office, Inc.**, Phoenix, AZ (US)
- (72) Inventors: **Tanya Stouder**, Phoenix, AZ (US); **Toby Seadler**, Phoenix, AZ (US)
- (73) Assignee: **PetSmart Home Office, Inc.**, Phoenix, AZ (US)
- (**) Term: **15 Years**
- (21) Appl. No.: **29/669,126**
- (22) Filed: **Nov. 6, 2018**

Related U.S. Application Data

- (63) Continuation of application No. 29/606,738, filed on Jun. 7, 2017, now Pat. No. Des. 833,688.
- (51) **LOC (11) Cl.** **30-04**
- (52) **U.S. Cl.**
USPC **D30/152**
- (58) **Field of Classification Search**
USPC D30/144, 145, 151, 152, 199; D24/190; D29/101.1, 101.3, 101.5; D3/217, 231
CPC A01K 27/002
See application file for complete search history.

(56) **References Cited**

U.S. PATENT DOCUMENTS

- 1,800,421 A * 4/1931 Wickersham A01K 27/002
119/863
- 2,187,021 A 1/1940 Everson
- 2,233,397 A 3/1941 Bloom
- 2,605,744 A 8/1952 Urbanski
- 3,768,445 A 10/1973 Sorrels
- 5,150,667 A 9/1992 Salidrigas
- 5,247,905 A 9/1993 Arakawa
- 5,427,061 A 6/1995 McCullough
- 5,915,335 A 6/1999 Holt, Jr.

- 6,101,979 A 8/2000 Wilson et al.
- 6,213,057 B1 4/2001 Franco et al.
- 6,637,377 B2 10/2003 Lobanoff et al.
- 6,662,755 B2 12/2003 Kato
- D591,011 S * 4/2009 Madere D30/144
- D706,496 S * 6/2014 Eskenazi D30/152
- D760,448 S * 6/2016 Ceconato D30/144
- D783,210 S * 4/2017 Uihlein D30/152

(Continued)

OTHER PUBLICATIONS

Internet Archive Wayback Machine, <http://web.archive.org/web/20130629081823/http://www.trepontinews.it/leng-IT/pag-novita.php>, pp, 7 pages, Mar. 22, 2017.

(Continued)

Primary Examiner — George D. Kirschbaum
Assistant Examiner — Kendra Leslie Hamilton
(74) *Attorney, Agent, or Firm* — Duane Morris LLP

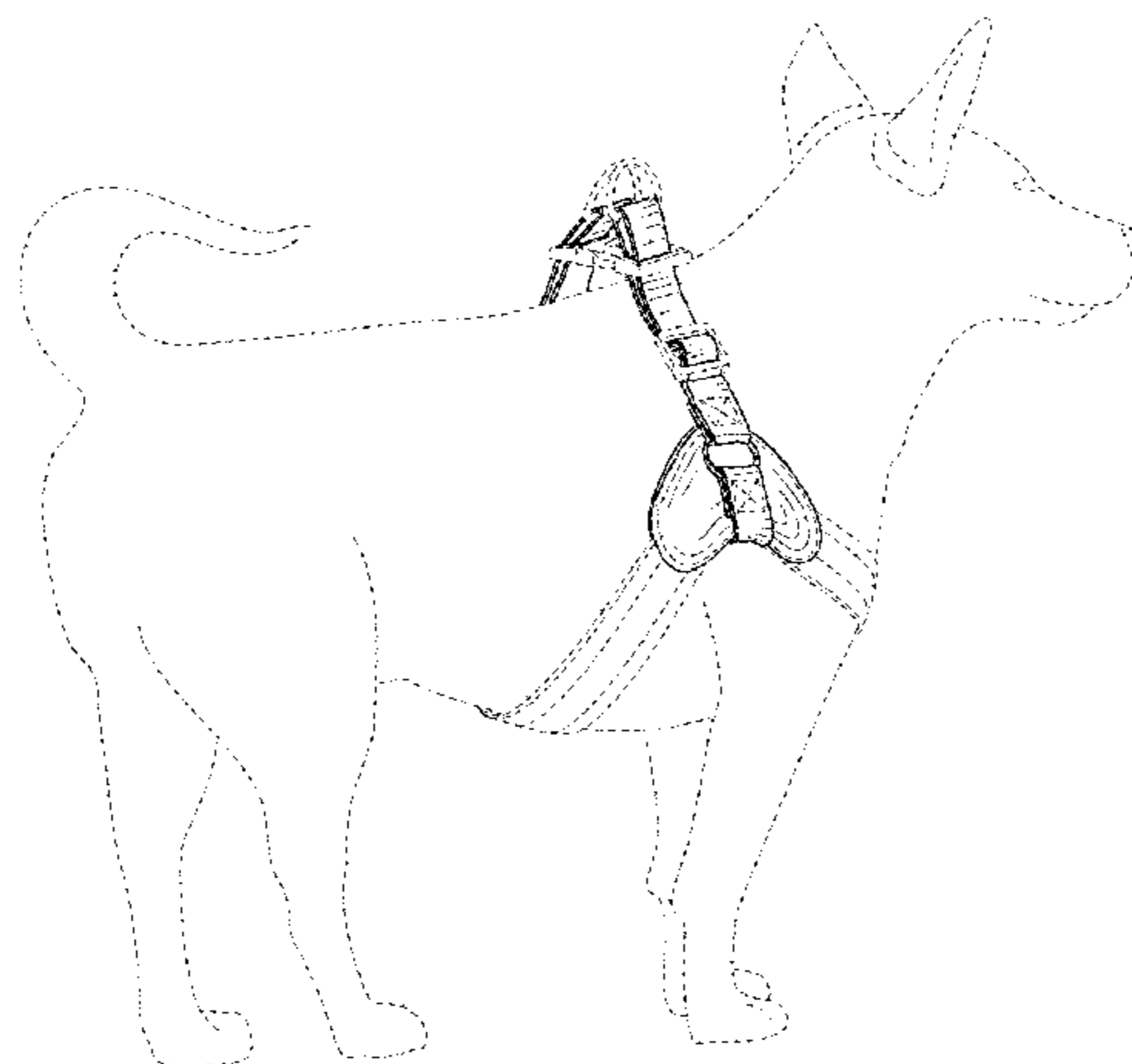
(57) **CLAIM**

The ornamental design for an animal harness, as shown and described.

DESCRIPTION

FIG. 1 is a top right rear perspective view of an animal harness, showing our new design in condition of use. FIG. 2 is a top right rear perspective view thereof. FIG. 3 is a left elevational view thereof. FIG. 4 is a right elevational view thereof. FIG. 5 is a front elevational view thereof. FIG. 6 is a rear elevational view thereof. FIG. 7 is a top plan view thereof; and, FIG. 8 is a bottom plan view thereof. The broken line showing of a dog in FIG. 1 depicts environmental structure only and forms no part of the claimed design. The broken lines in FIGS. 1-8 depict portions of the animal harness that form no part of the claimed design.

1 Claim, 8 Drawing Sheets



(56)

References Cited

U.S. PATENT DOCUMENTS

9,668,458 B2 6/2017 Sporn
D793,568 S * 8/2017 Wong D24/190
D798,508 S * 9/2017 Yun D30/152
2008/0047501 A1 2/2008 Madere et al.
2008/0223311 A1 9/2008 Ito
2010/0263602 A1* 10/2010 Cho A01K 27/002
119/792
2015/0164049 A1* 6/2015 Lai A01K 27/002
119/792
2016/0007570 A1* 1/2016 Stout A01K 27/002
119/856
2016/0066544 A1* 3/2016 Sporn A01K 27/002
119/863
2017/0258049 A1* 9/2017 Yun A01K 27/005
2017/0265437 A1 9/2017 Sporn
2017/0265438 A1 9/2017 Sporn
2017/0290300 A1* 10/2017 Vaccari A01K 27/002

OTHER PUBLICATIONS

Internet Archive Wayback Machine, <http://web.archive.org/web/20140331193655/http://www.trepontinews.it/leng-IT/pag-novita.php>, pp, 7 pages, Mar. 22, 2017.

* cited by examiner

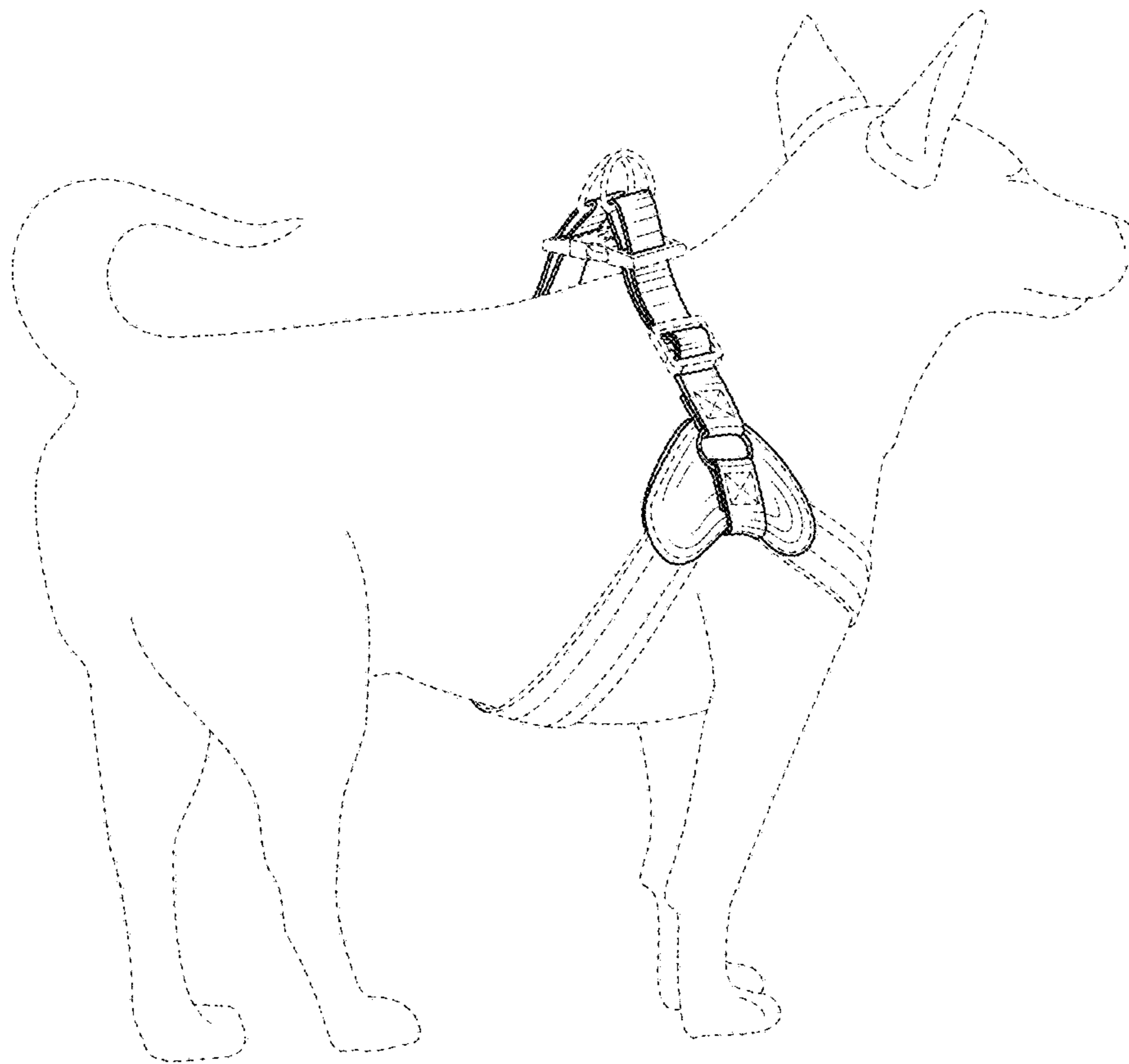


FIG. 1

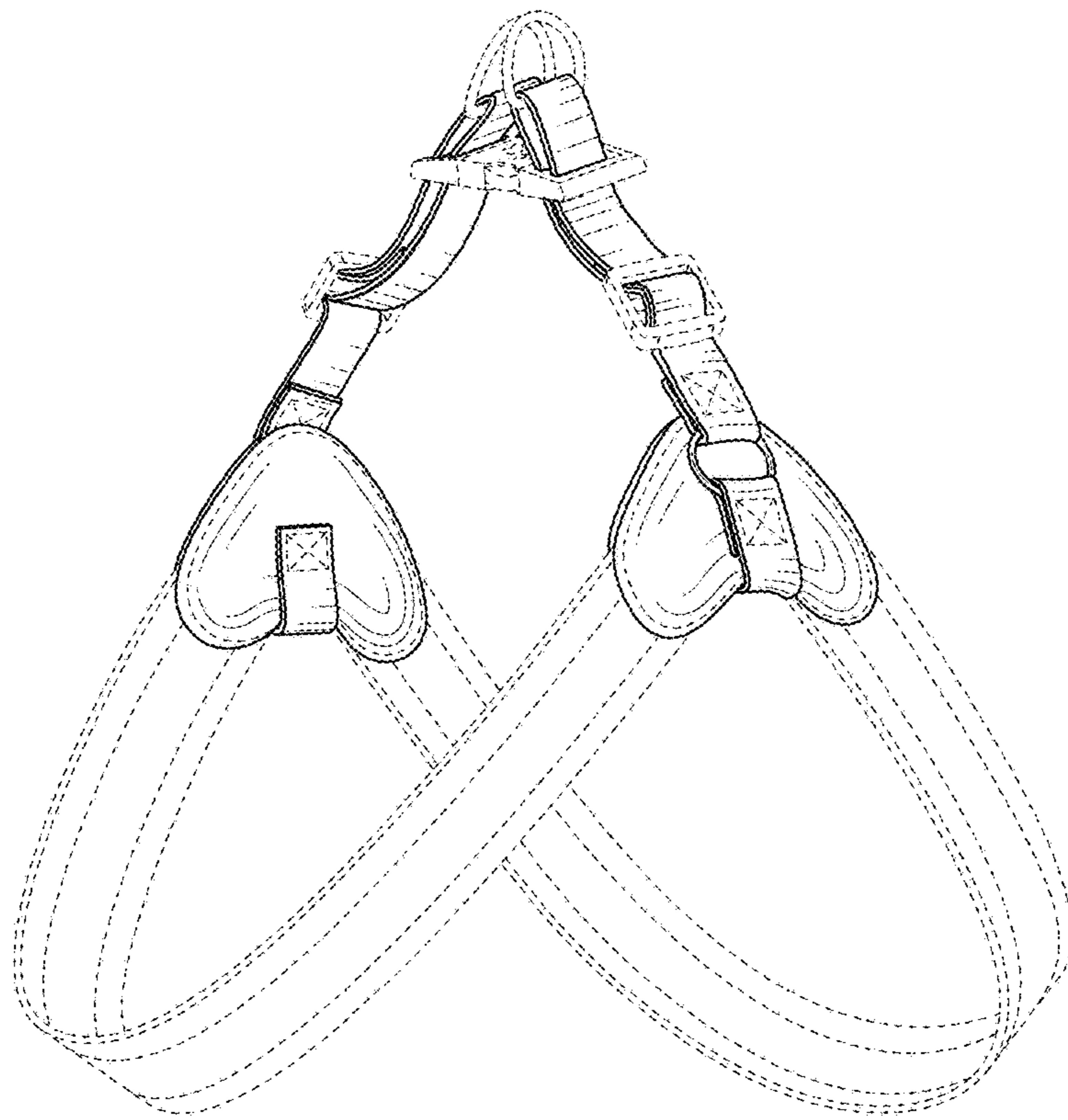


FIG. 2

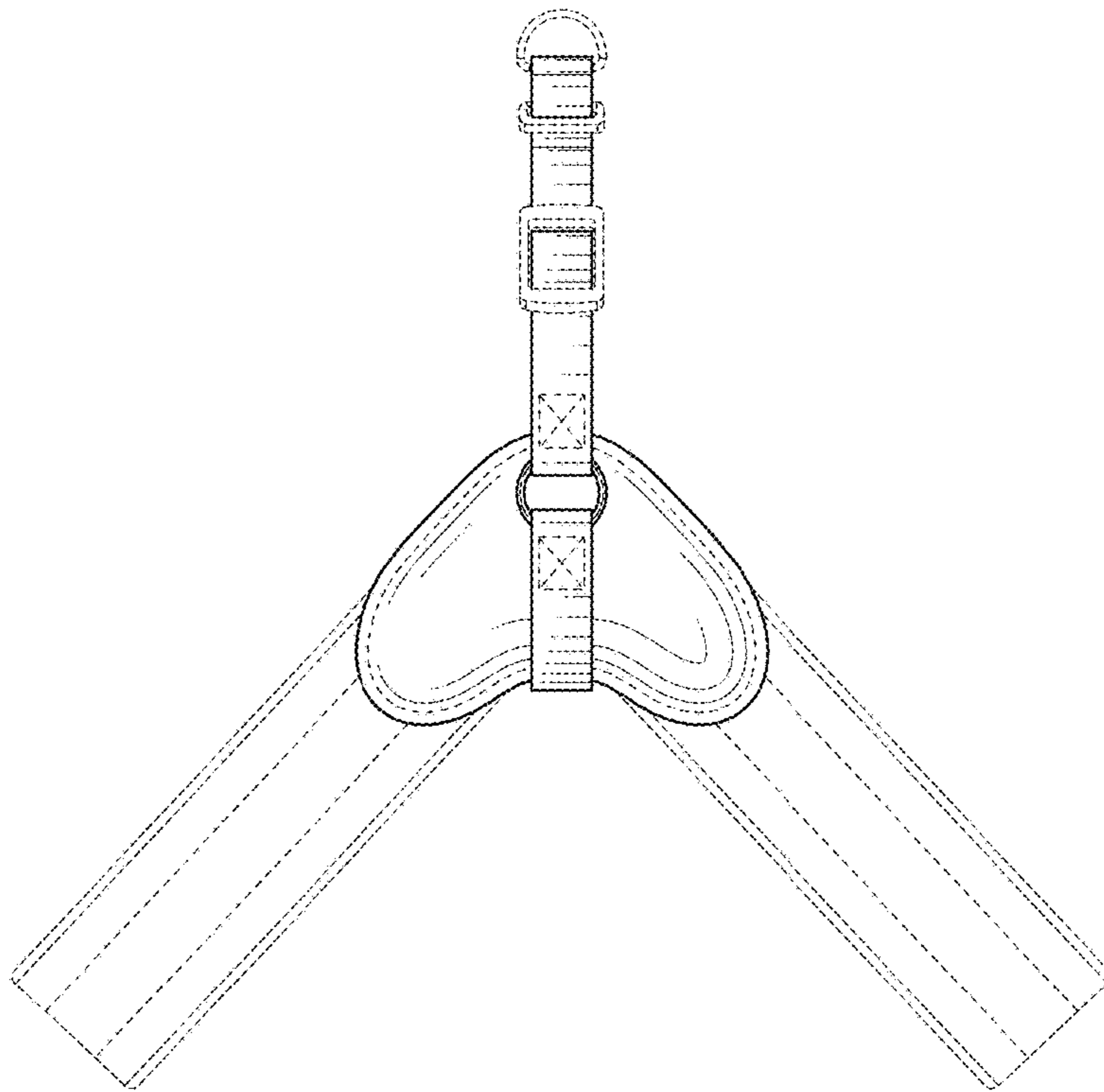


FIG. 3

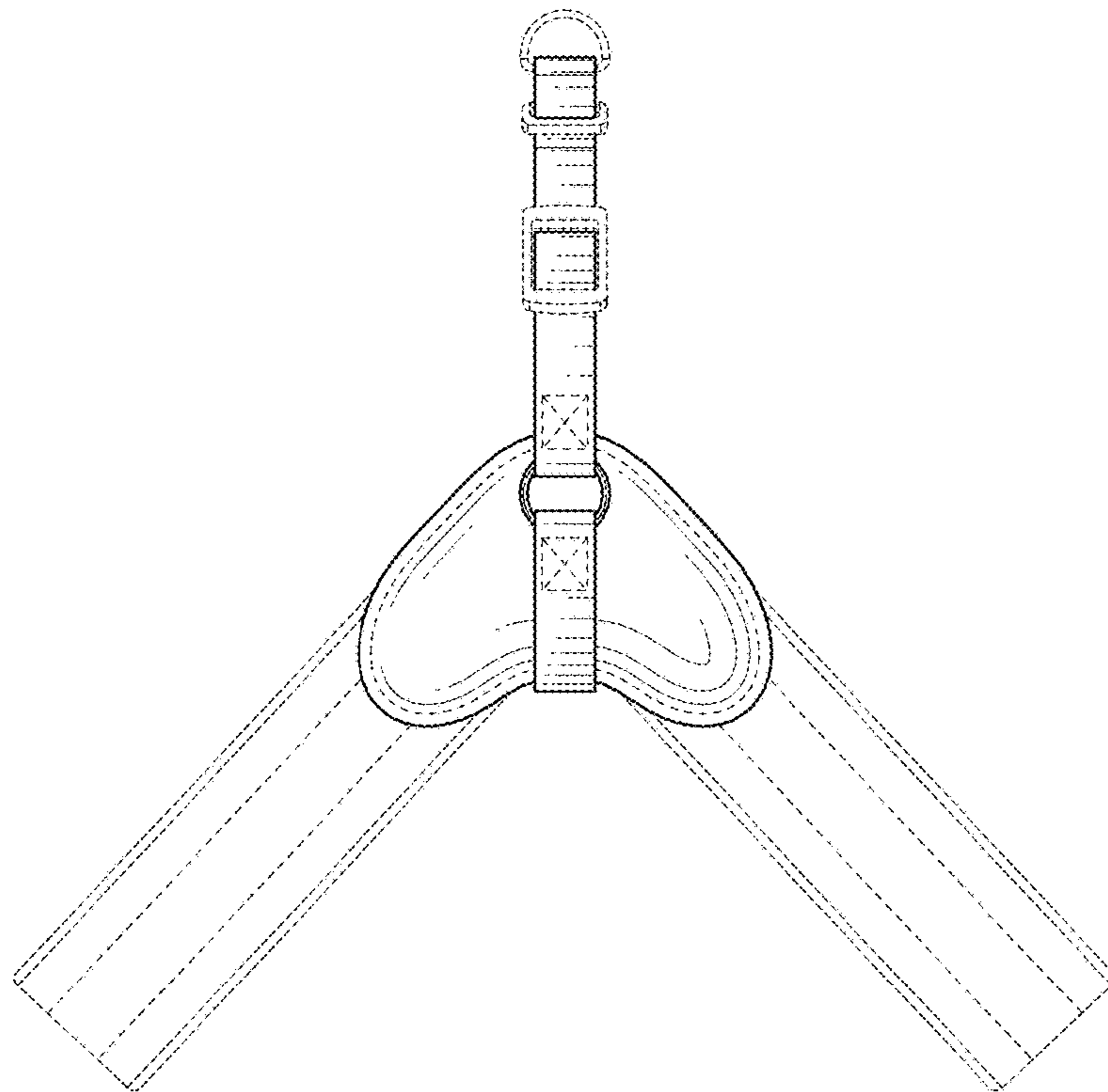


FIG. 4

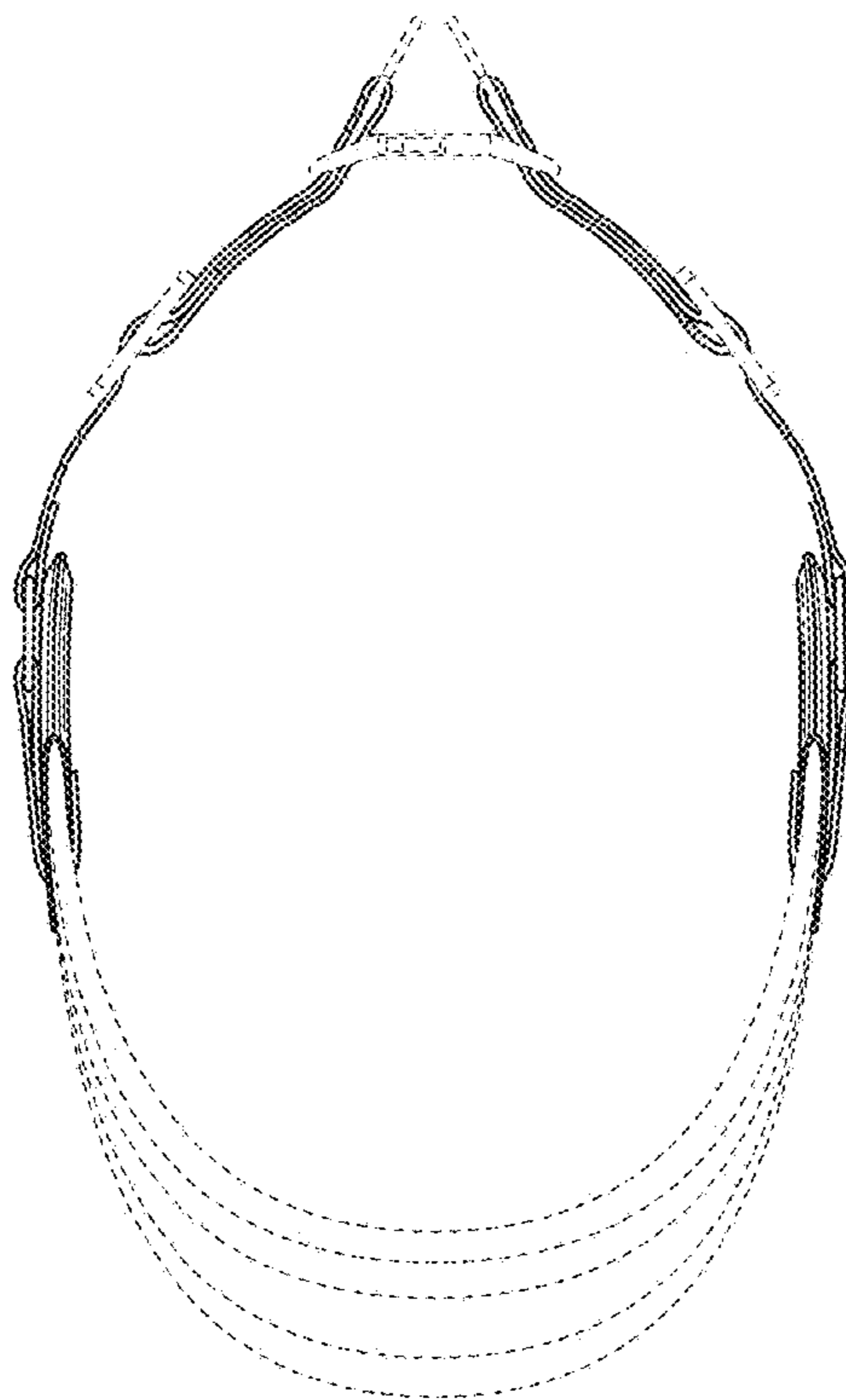


FIG. 5

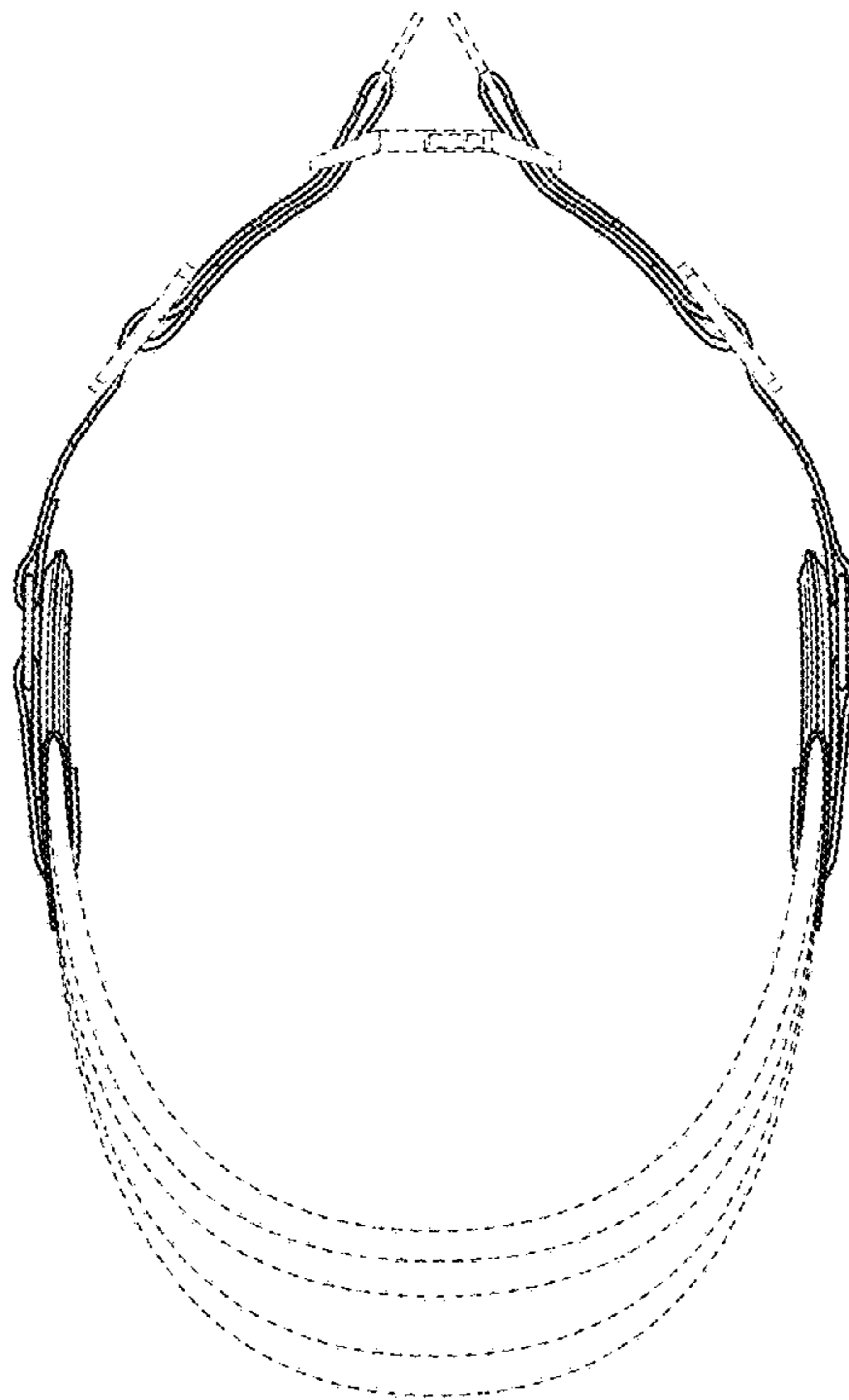


FIG. 6

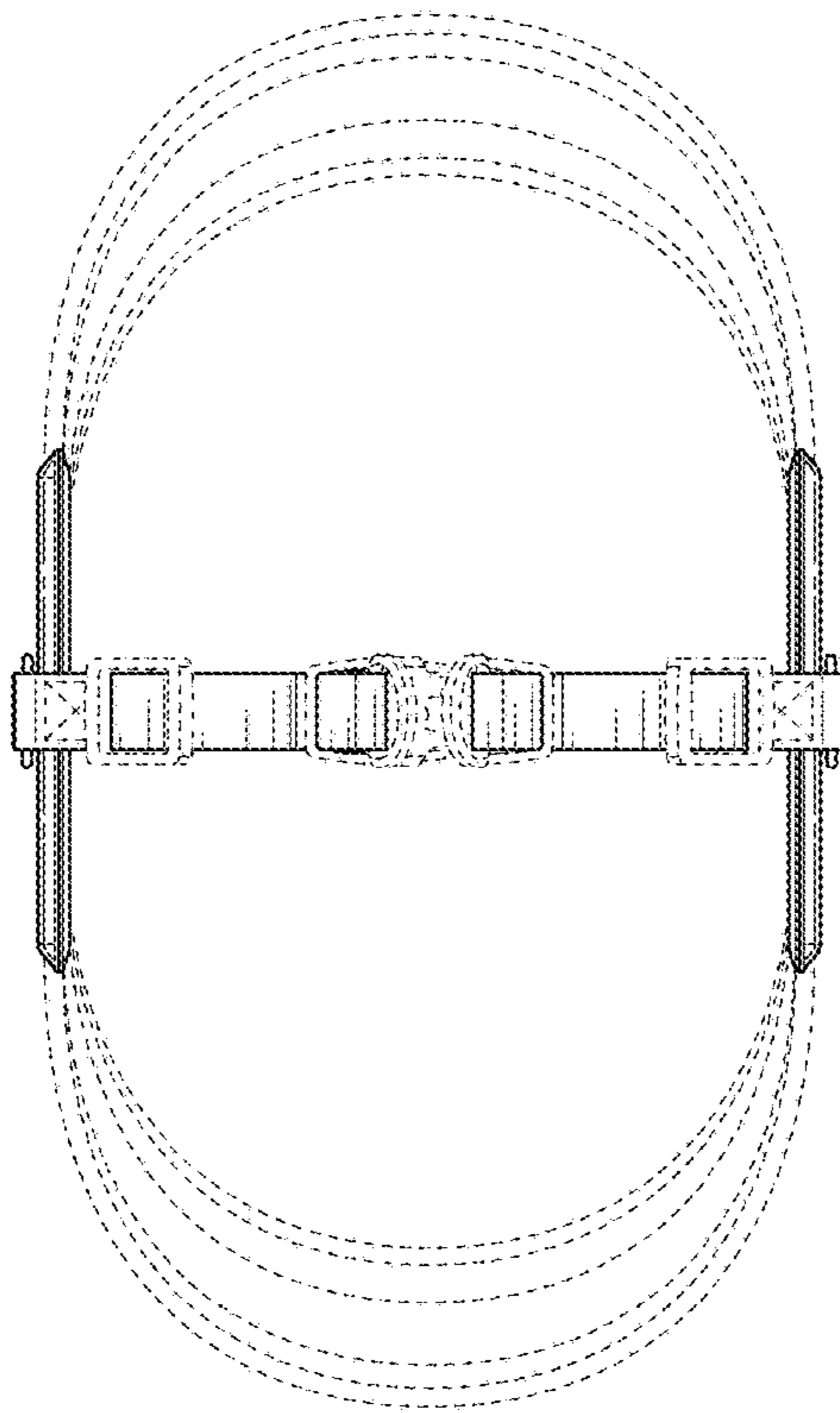


FIG. 7

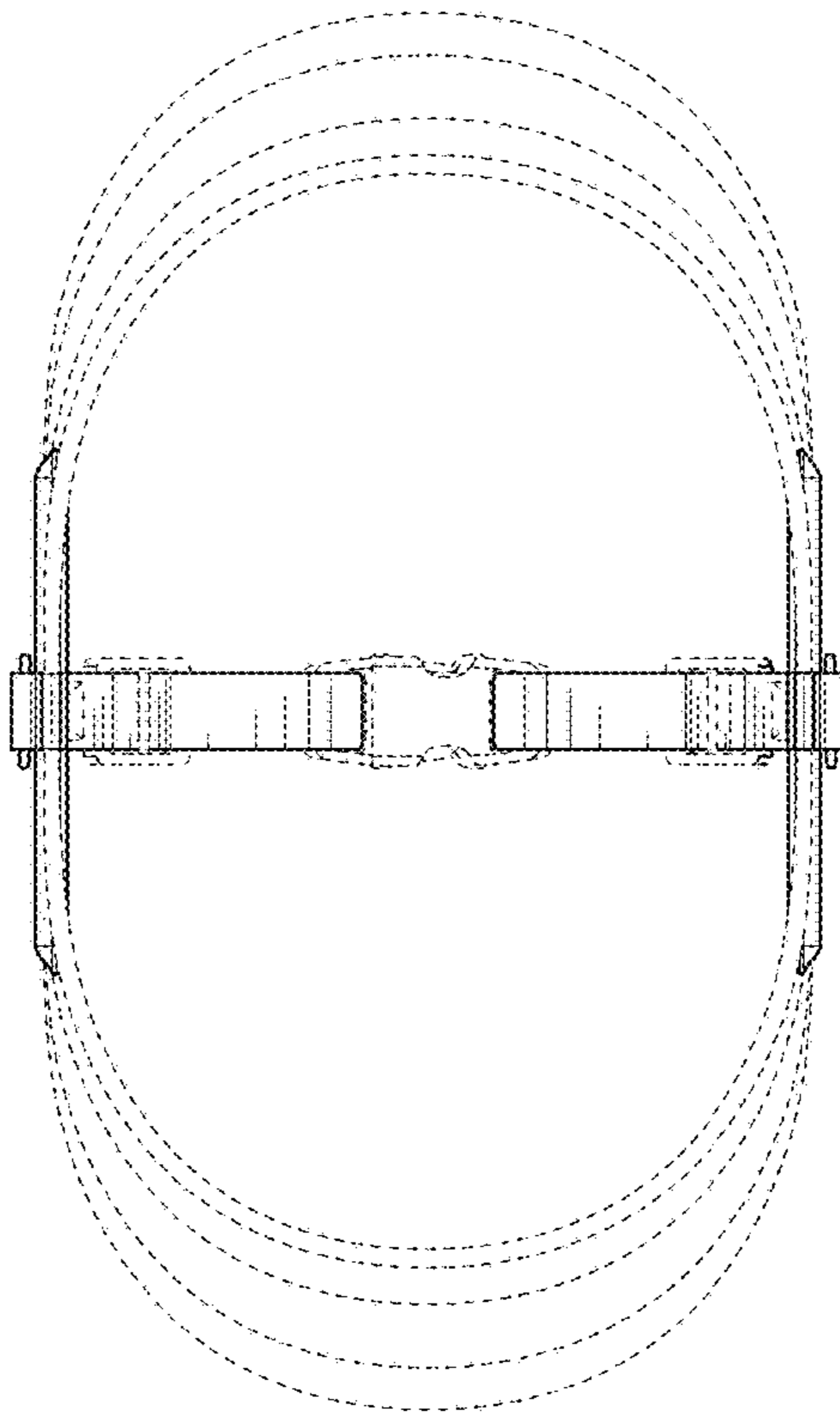


FIG. 8