



US00D850020S

(12) **United States Design Patent** (10) **Patent No.:** **US D850,020 S**
Paxson (45) **Date of Patent:** **** May 28, 2019**

(54) **PET FOUNTAIN**

(56) **References Cited**

(71) Applicant: **Doskocil Manufacturing Company, Inc.**, Arlington, TX (US)

U.S. PATENT DOCUMENTS

(72) Inventor: **Ryan Paxson**, Box Elder, SD (US)

D111,522 S *	9/1938	Preston	D11/152
D153,426 S *	4/1949	Ganine	D21/599
D176,252 S *	12/1955	Duncan	D7/555
D185,946 S *	8/1959	Nign	D23/201
D196,555 S *	10/1963	Lake	D23/201
D202,758 S *	11/1965	Hibben	D23/201
D213,692 S *	4/1969	Hibben	239/17
D213,693 S *	4/1969	Hibben	239/17
D227,581 S *	7/1973	Cherk et al.	D21/599

(73) Assignee: **DOSKOCIL MANUFACTURING COMPANY, INC.**, Arlington, TX (US)

(**) Term: **15 Years**

(Continued)

(21) Appl. No.: **29/619,976**

FOREIGN PATENT DOCUMENTS

(22) Filed: **Oct. 3, 2017**

EP 2434869 B1 3/2018

(51) **LOC (11) Cl.** **30-03**

Primary Examiner — Susan Moon Lee

(52) **U.S. Cl.**
USPC **D30/132**

(74) *Attorney, Agent, or Firm* — Global IP Counselors, LLP

(58) **Field of Classification Search**
USPC D30/123, 129, 132, 121; 119/69.5, 673, 119/57.8, 68, 74, 61.57, 78–81, 61.4, 119/57.9, 51.5, 61.5, 72, 475; 47/66.6, 47/39, 67, 83; 239/280, 200, 281, 280.5, 239/273, 16–32; 4/644, 627, 638; D7/558; D11/144, 145, 153; D99/5, 24; 27/1; D23/201, 292, 204, 205, 214–216; 248/127, 132, 137, 138, 158, 910; 215/10; D6/353, 352, 484, 360, 480, D6/488; 219/521; 329/442, 459; 99/452, 483; 40/406, 407; 261/29, 106, 261/73; 137/560, 563, 801; 55/385.2; 417/527, 313; 431/292–294, 289; 362/101; D26/6, 9
CPC ... A01K 7/00; A01K 7/02; A01K 7/06; A01K 7/04; A01K 7/005; A01K 7/022; A01K 7/025; A01K 7/027; A01K 5/0216; A01K 39/02; F04B 23/00; F04B 23/02; F04B 23/021; F04B 23/026; B05B 17/08; B05B 17/085; B01D 35/30; Y10T 137/86035; Y10T 137/8376; Y10T 137/85954–137/85978; B65D 21/0234–21/0238; B65D 21/04

See application file for complete search history.

(57) **CLAIM**

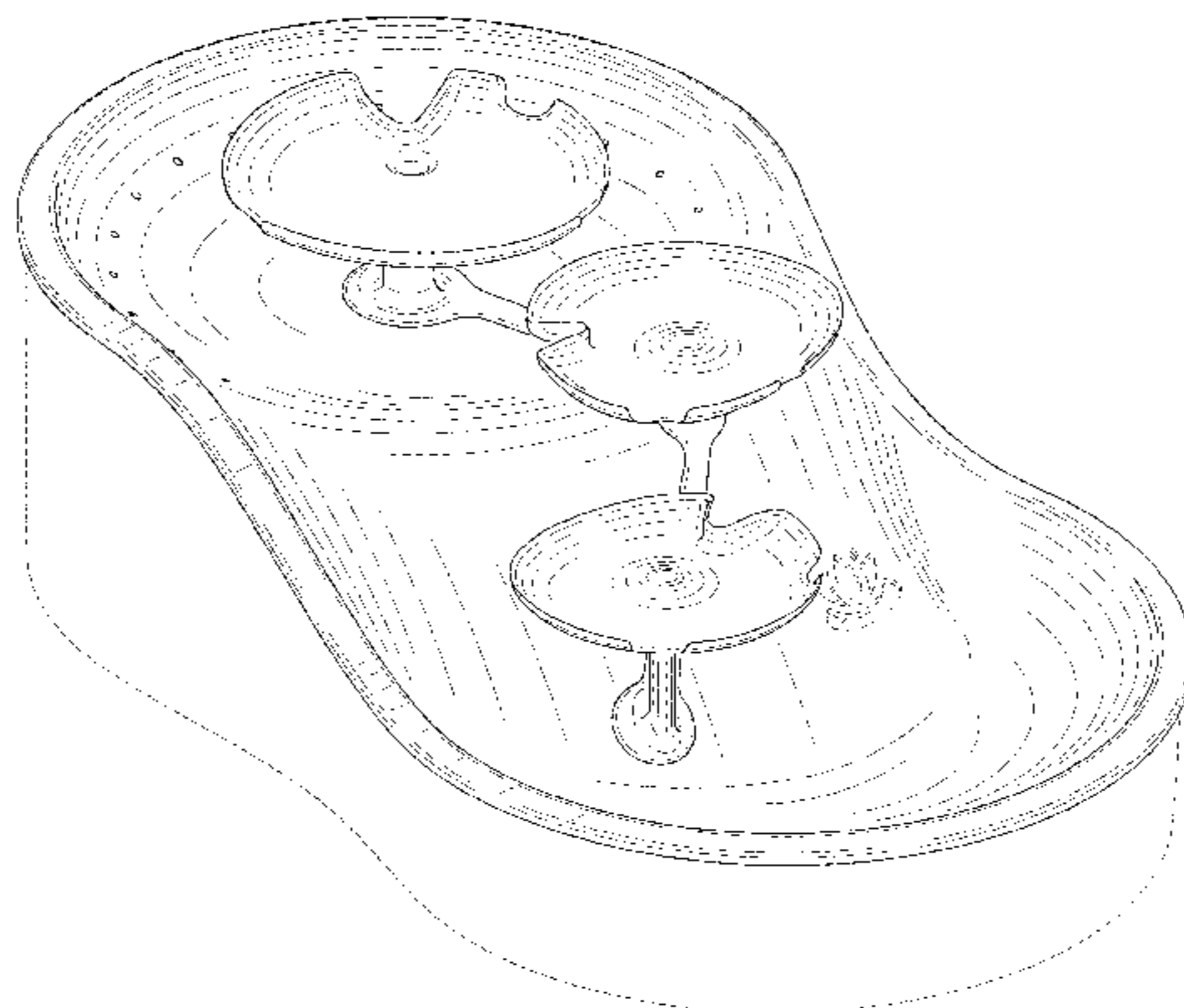
The ornamental design for a pet fountain, as shown and described.

DESCRIPTION

FIG. 1 is a front perspective view of a pet fountain in accordance with my new design;
FIG. 2 is a front view thereof;
FIG. 3 is a back view thereof;
FIG. 4 is a right side view thereof;
FIG. 5 is a left side view thereof;
FIG. 6 is a top view thereof;
FIG. 7 is a bottom view thereof; and,
FIG. 8 is a cross-sectional view of a lower portion of the pet fountain.

The broken lines depict environmental subject matter, are for illustration only, and form no part of the claimed design.

1 Claim, 8 Drawing Sheets



(56)

References Cited

U.S. PATENT DOCUMENTS

D245,804 S * 9/1977 Cone D21/599
 4,426,956 A * 1/1984 McKinsty G01F 13/006
 119/72
 D278,371 S * 4/1985 Strickland D30/132
 D280,190 S * 8/1985 Carbajales Santa-Eulalia
 D11/158
 4,584,966 A * 4/1986 Moore A01K 7/00
 119/73
 D317,801 S * 6/1991 Tapdrup D21/599
 D337,629 S * 7/1993 Lal D21/599
 5,326,032 A * 7/1994 Quillin B05B 17/08
 239/17
 D350,841 S * 9/1994 VanSkiver D30/121
 D350,842 S * 9/1994 VanSkiver D30/121
 D351,507 S * 10/1994 Gregory D30/121
 D371,643 S * 7/1996 Lillelund D30/122
 5,598,662 A * 2/1997 Droste A47G 7/041
 47/39
 D383,571 S * 9/1997 Frodsham D30/108
 D401,009 S * 11/1998 Hicaro, Jr. D27/102
 D403,239 S * 12/1998 Ying D3/271.2
 6,055,932 A * 5/2000 Weber A01K 5/0114
 119/52.1
 6,119,286 A * 9/2000 Briscoe A47K 3/005
 239/211
 D440,627 S * 4/2001 Wang D23/201
 6,209,797 B1 * 4/2001 Jenney B05B 17/08
 239/17
 6,212,804 B1 * 4/2001 Richard G09F 19/00
 40/406
 D446,889 S * 8/2001 Bornhofen D30/129
 D448,884 S * 10/2001 Sehl D26/98
 6,405,937 B1 * 6/2002 Stukenberg B05B 17/08
 239/12
 6,505,782 B1 * 1/2003 Yen B05B 17/08
 239/17
 6,527,257 B1 * 3/2003 Schuld B05B 17/085
 239/17
 6,843,021 B1 * 1/2005 Huang A01G 9/00
 47/60
 D503,247 S * 3/2005 Ross D30/132
 D523,522 S * 6/2006 DeBoer D23/215
 D576,768 S * 9/2008 Schulte D21/599
 D586,532 S * 2/2009 Madsen D1/111
 D612,455 S * 3/2010 Henderson D21/597
 7,731,841 B1 * 6/2010 Tennyson, Jr. B01F 3/0473
 119/255
 D619,843 S * 7/2010 Noren D3/271.11
 D621,555 S * 8/2010 Hewson D30/121

D621,556 S * 8/2010 Hewson A01K 7/00
 D30/121
 D629,974 S * 12/2010 Northrop D30/121
 7,958,844 B1 * 6/2011 Northrop A01K 7/02
 119/74
 D642,746 S * 8/2011 Weber D30/121
 D659,300 S * 5/2012 Lipscomb D30/121
 D659,914 S * 5/2012 Lipscomb D30/121
 8,171,885 B1 * 5/2012 Northrop A01K 7/02
 119/74
 D665,870 S * 8/2012 Fang D23/201
 8,261,696 B1 * 9/2012 Lipscomb A01K 15/025
 119/702
 D670,771 S * 11/2012 Lo D21/597
 D677,018 S * 2/2013 Miller D30/121
 D692,623 S * 10/2013 Lipscomb A01K 7/005
 D30/121
 D693,522 S * 11/2013 Miller D30/121
 D709,654 S * 7/2014 Lipscomb D30/121
 D733,366 S * 6/2015 Poisson D30/132
 D749,857 S * 2/2016 Krenkler D4/125
 D755,306 S * 5/2016 Lee D21/428
 D771,194 S * 11/2016 Nobrega D21/394
 D790,927 S * 7/2017 Reyhan D7/555
 D793,492 S * 8/2017 Zanger D21/597
 D801,595 S * 10/2017 Oates D30/132
 D807,965 S * 1/2018 Lo D21/401
 D814,714 S * 4/2018 Simon D30/122
 D819,192 S * 5/2018 Choi D23/366
 D822,876 S * 7/2018 Li D26/98
 2005/0160995 A1 * 7/2005 Graves, Jr. A01K 7/04
 119/78
 2005/0194459 A1 * 9/2005 Chan F23D 3/16
 239/16
 2006/0236948 A1 * 10/2006 Wechsler A01K 5/0114
 119/77
 2007/0277448 A1 * 12/2007 Snider A01K 45/002
 52/16
 2010/0300366 A1 * 12/2010 Lipscomb A01K 7/02
 119/74
 2011/0114026 A1 * 5/2011 Lathim A01K 7/02
 119/72
 2012/0017839 A1 * 1/2012 Veness A01K 7/00
 119/74
 2012/0137979 A1 * 6/2012 Lipscomb A01K 45/002
 119/74
 2013/0087102 A1 * 4/2013 Lipscomb A01K 7/02
 119/74
 2013/0180458 A1 7/2013 Lipscomb et al.
 2014/0069341 A1 * 3/2014 Lipscomb A01K 7/02
 119/74
 2017/0245465 A1 * 8/2017 Oates B65D 21/0234
 2017/0362092 A1 * 12/2017 Mainini C02F 1/003

* cited by examiner

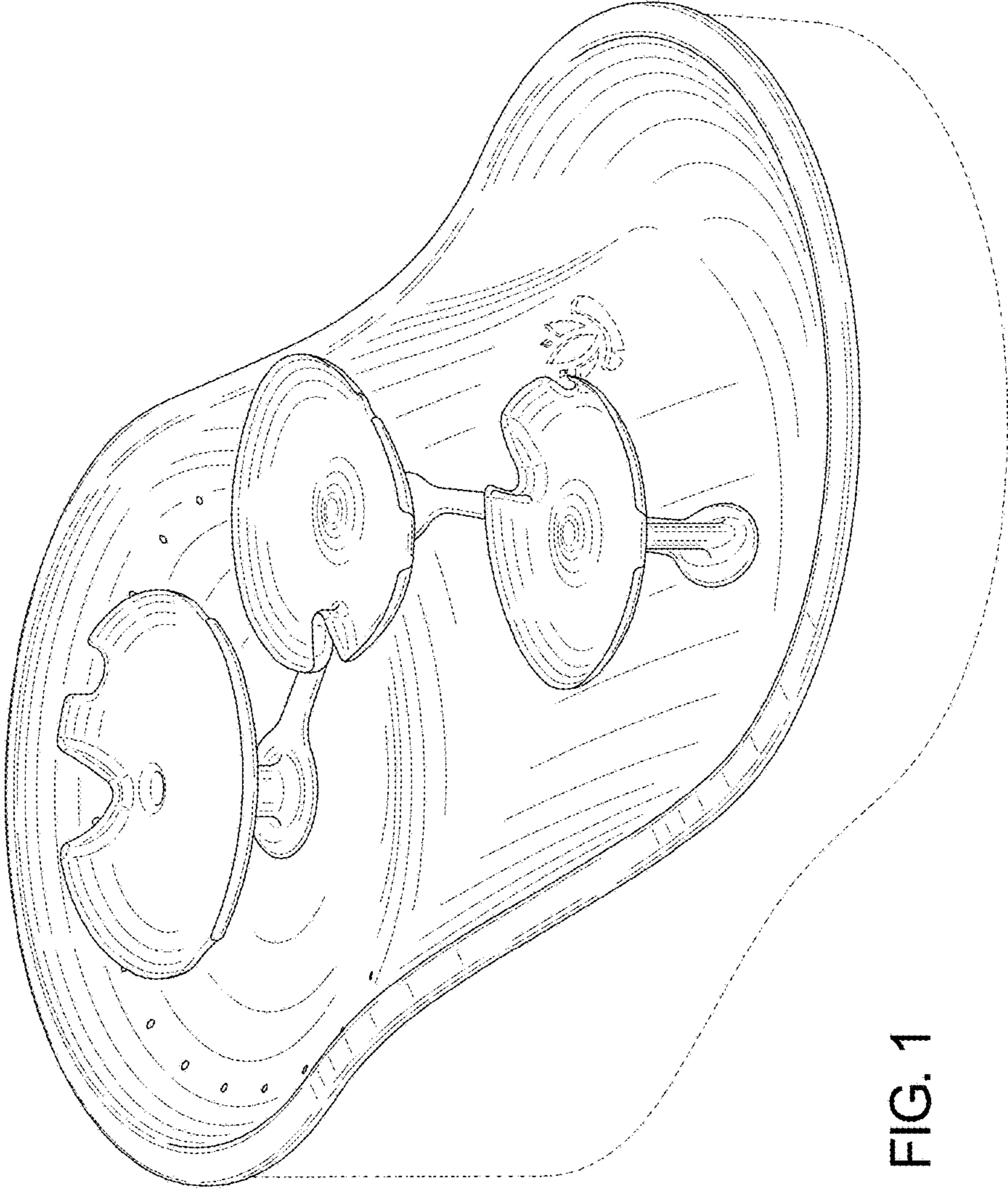


FIG. 1

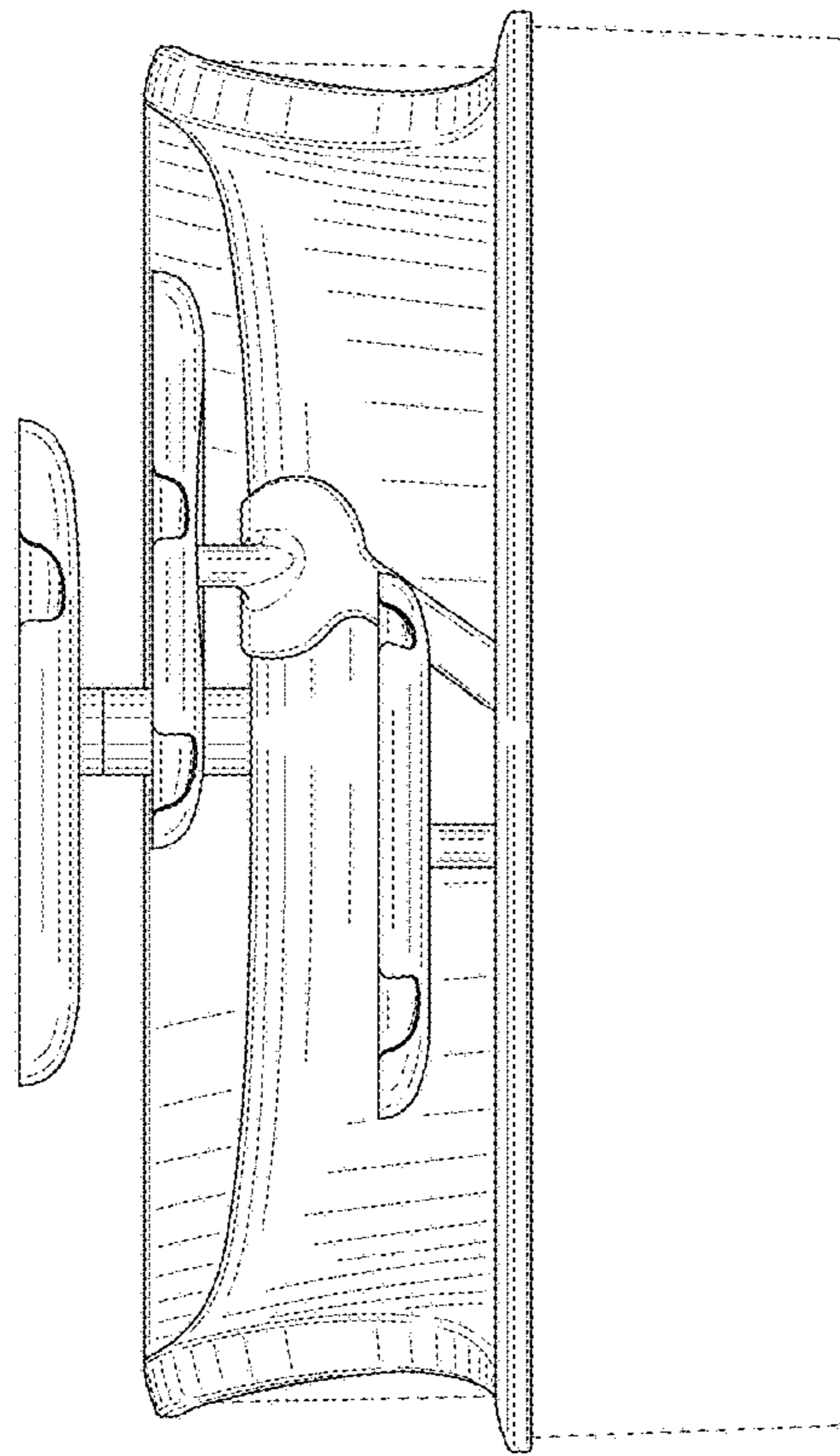


FIG. 2

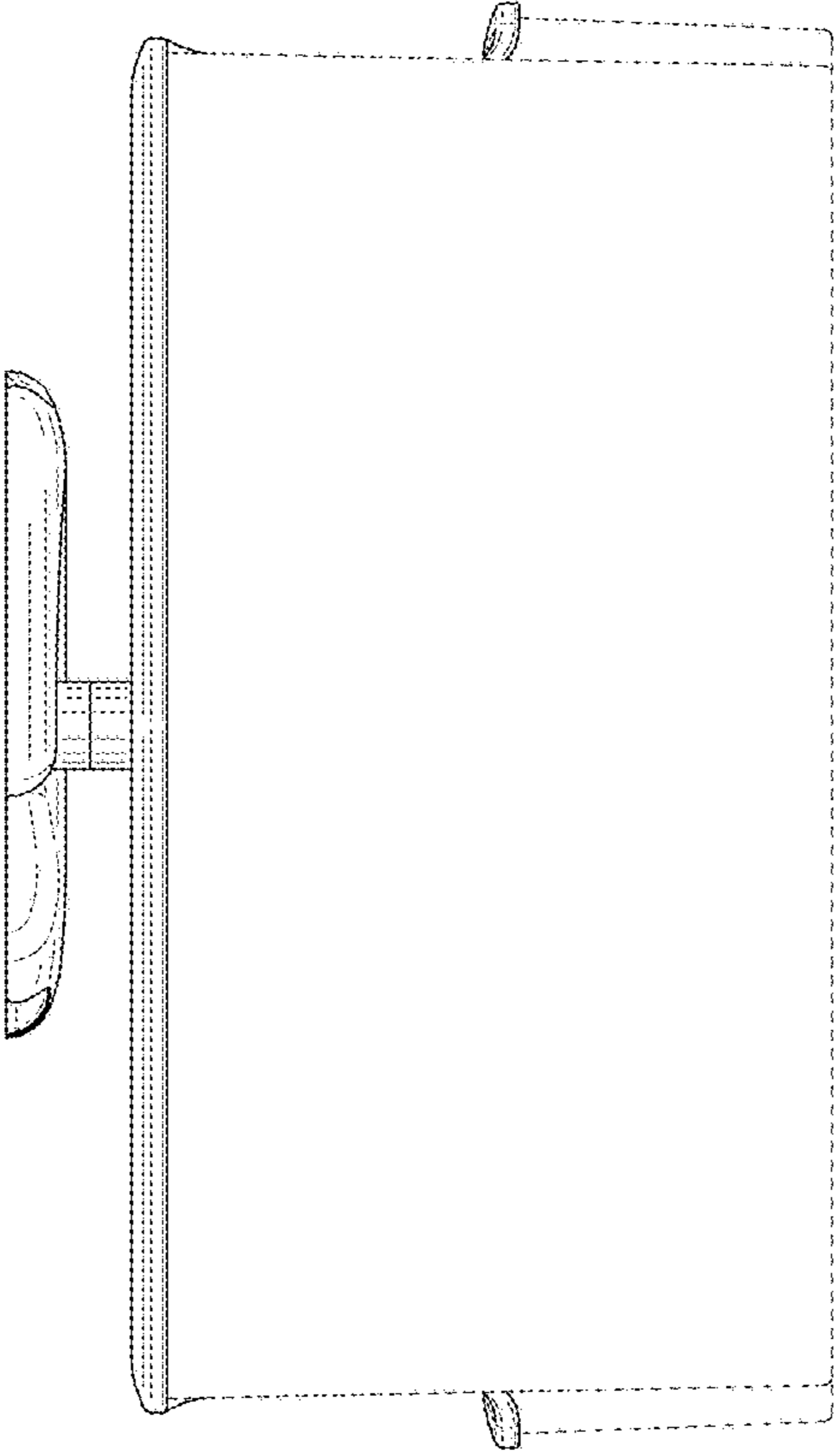


FIG. 3

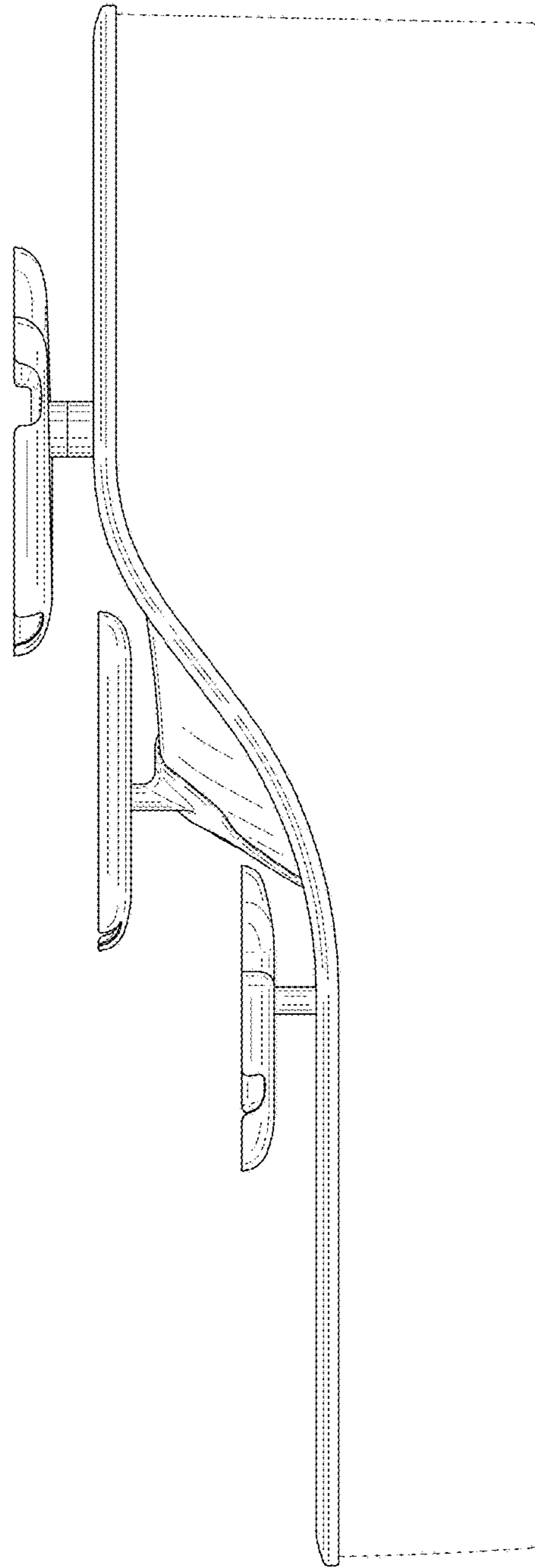


FIG. 4

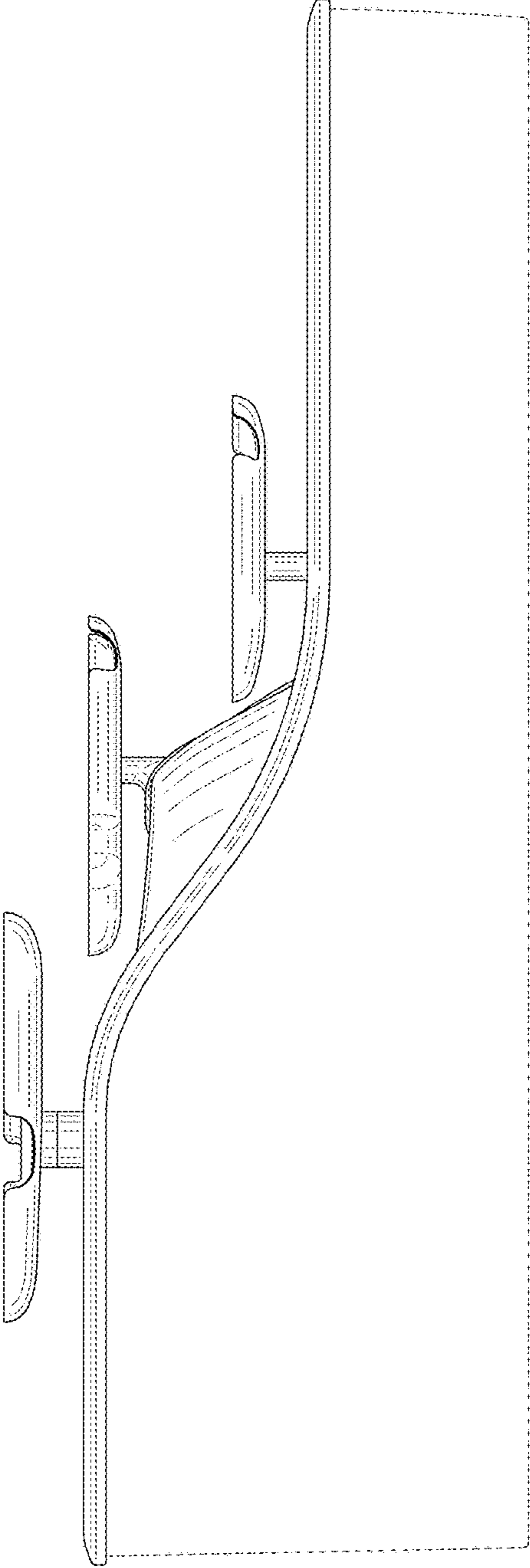


FIG. 5

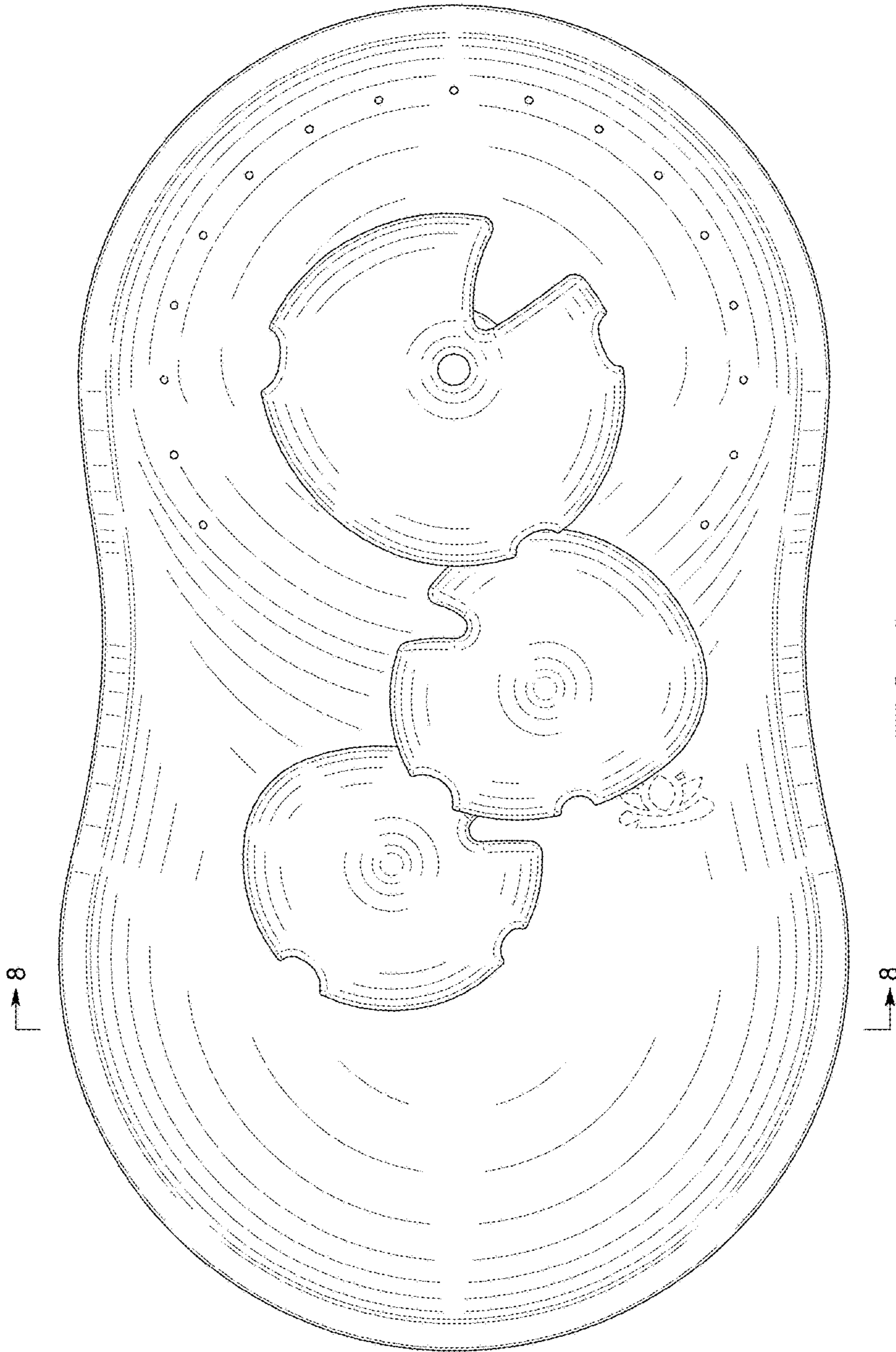


FIG. 6

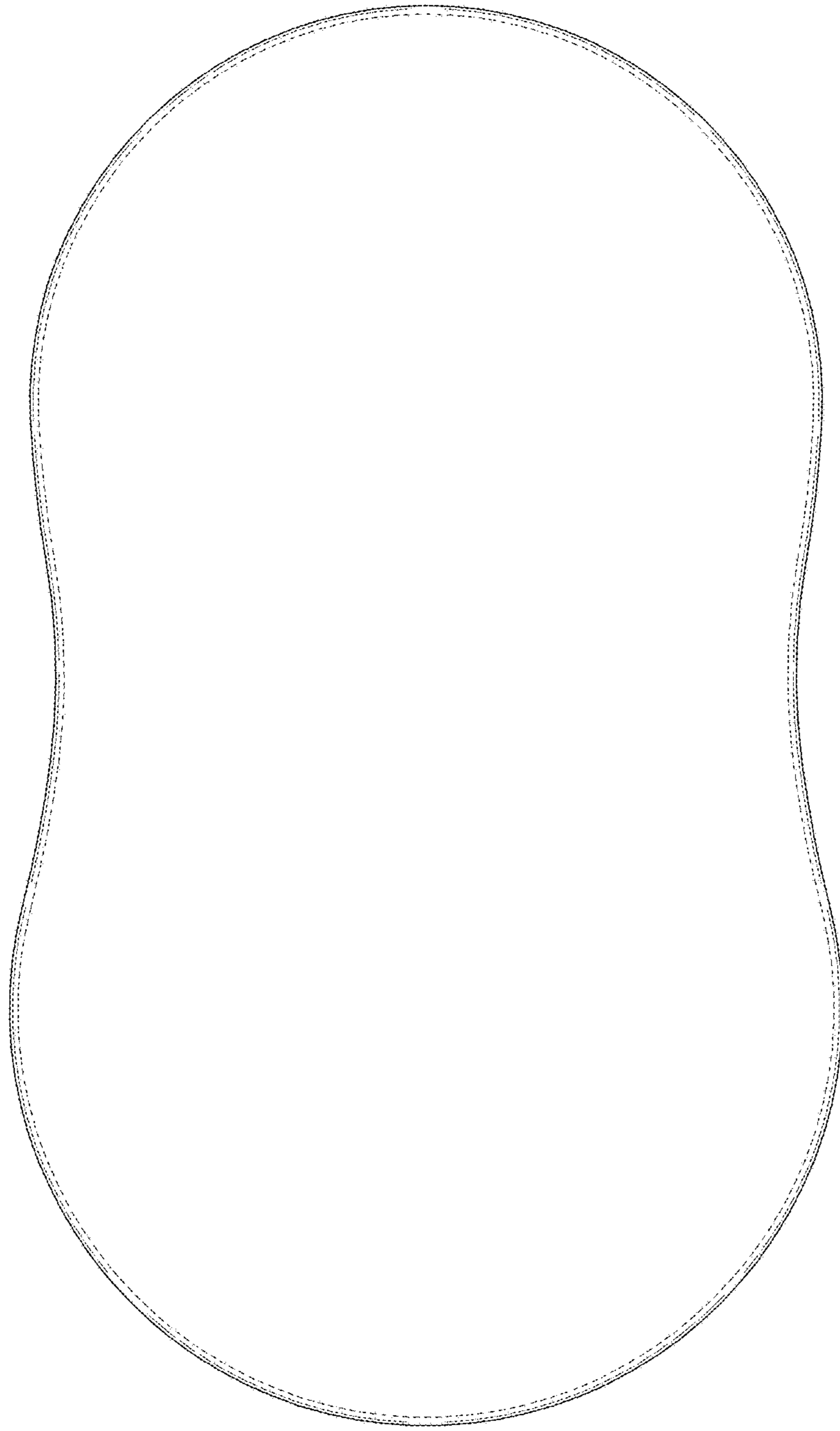


FIG. 7

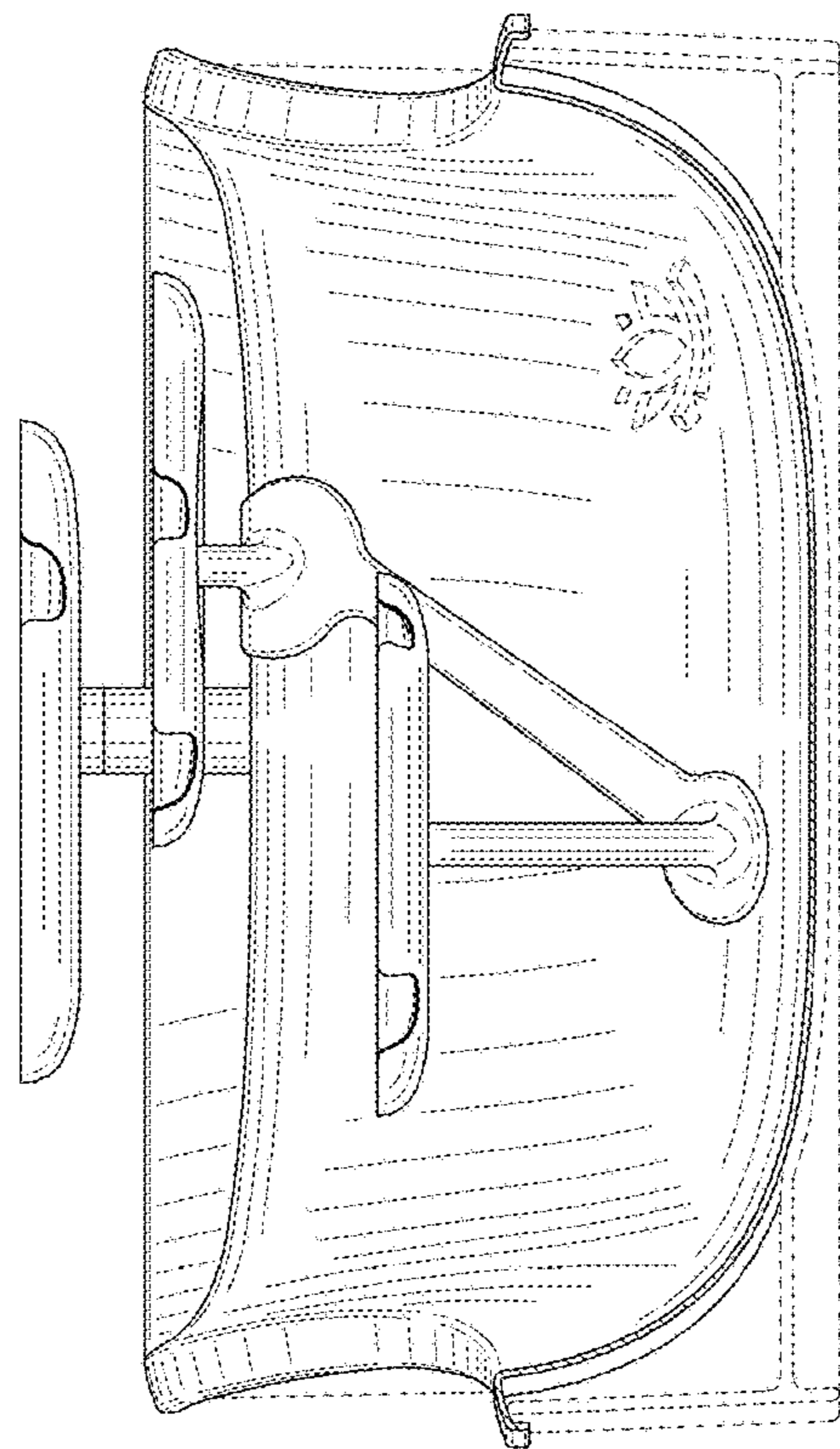


FIG. 8