



US00D850018S

(12) **United States Design Patent** (10) **Patent No.:** **US D850,018 S**
Paxson (45) **Date of Patent:** **** May 28, 2019**

(54) **PET FOUNTAIN**

(71) Applicant: **Doskocil Manufacturing Company, Inc.**, Arlington, TX (US)

(72) Inventor: **Ryan Paxson**, Box Elder, SD (US)

(73) Assignee: **DOSKOCIL MANUFACTURING COMPANY, INC.**, Arlington, TX (US)

(**) Term: **15 Years**

(21) Appl. No.: **29/619,966**

(22) Filed: **Oct. 3, 2017**

(51) **LOC (11) Cl.** **30-03**

(52) **U.S. Cl.**
USPC **D30/132**

(58) **Field of Classification Search**
USPC D30/123, 129, 132, 121, 160, 199;
119/69.5, 673, 57.8, 68, 74, 61.57, 78-81,
119/61.4, 57.9, 51.5, 61.5, 72, 702,
119/706-712; 47/66.6, 39, 67, 83;
239/27, 280, 200, 281, 280.5, 273, 16,
239/17, 20, 22; 4/644, 627, 638;
D7/558; D11/144, 145, 153, 49, 58, 52,
D11/131-136, 149, 150, 157-160, 50, 82,
D11/127, 131.1; D99/5, 24; 27/1;
D23/201, 292; 248/127, 132, 137, 138,
248/158, 910; 215/10; D6/353, 352,
D6/484, 360, 480, 488; 219/521;
329/442, 459; D24/211, 214, 212;
D21/681, 682, 606, 617, 608, 609, 630,
D21/633, 658, 661, 623, 627, 600, 697,
D21/576, 585-588, 597, 599; 482/108;
446/419, 490, 97, 100, 266, 369, 578,
446/268, 321, 385, 156, 153, 72-74, 98,
446/297, 9; 601/121, 118-120, 131;
D9/683, 611, 601, 607
CPC ... A01K 7/00; A01K 7/02; A01K 7/06; A01K
7/04; A01K 7/005; A01K 7/022; A01K
7/025; A01K 7/027; A01K 5/0216; A01K
39/02; F04B 23/00; F04B 23/02; F04B

23/021; F04B 23/026; B05B 17/08; B05B
17/085; B01D 35/30; Y10T 137/86035;
Y10T 137/8376; Y10T
137/85954-137/85978; B65D
21/0234-21/0238; B65D 21/04
See application file for complete search history.

(56) **References Cited**

U.S. PATENT DOCUMENTS

D111,522 S * 9/1938 Preston D11/152
D153,426 S * 4/1949 Ganine D21/599
D176,252 S * 12/1955 Duncan D7/555

(Continued)

FOREIGN PATENT DOCUMENTS

EP 2434869 B1 3/2018

Primary Examiner — Susan Moon Lee

(74) *Attorney, Agent, or Firm* — Global IP Counselors, LLP

(57) **CLAIM**

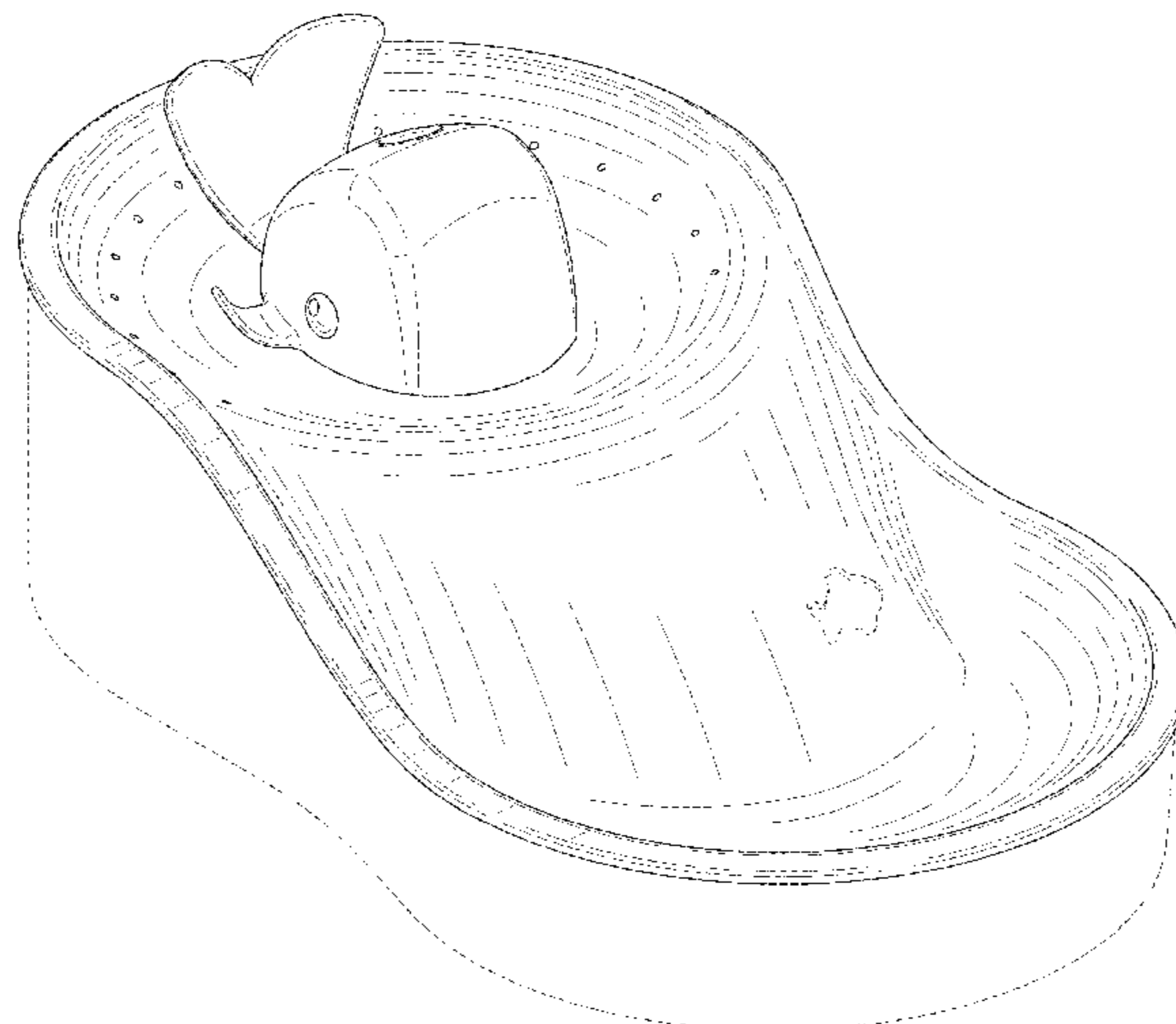
The ornamental design for a pet fountain, as shown and described.

DESCRIPTION

FIG. 1 is a front perspective view of a pet fountain in accordance with my new design;
FIG. 2 is a front view thereof;
FIG. 3 is a back view thereof;
FIG. 4 is a right side view thereof;
FIG. 5 is a left side view thereof;
FIG. 6 is a top view thereof;
FIG. 7 is a bottom view thereof; and,
FIG. 8 is a cross-sectional view of a lower portion of the pet fountain.

The broken lines depict environmental subject matter, are for illustration only, and form no part of the claimed design.

1 Claim, 8 Drawing Sheets



(56)

References Cited

U.S. PATENT DOCUMENTS

D227,581 S *	7/1973	Cherk et al.	D21/599	D659,300 S *	5/2012	Lipscomb	D30/121
D245,804 S *	9/1977	Cone	D21/599	D659,914 S *	5/2012	Lipscomb	D30/121
4,426,956 A *	1/1984	McKinstry	G01F 13/006	8,171,885 B1 *	5/2012	Northrop	A01K 7/02
			119/72				119/74
D278,371 S *	4/1985	Strickland	D30/132	D665,870 S *	8/2012	Fang	D23/201
D280,190 S *	8/1985	Carbajales Santa-Eulalia		8,261,696 B1 *	9/2012	Lipscomb	A01K 15/025
			D11/158				119/702
4,584,966 A *	4/1986	Moore	A01K 7/00	D670,771 S *	11/2012	Lo	D21/597
			119/73	D677,018 S *	2/2013	Miller	D30/121
D317,801 S *	6/1991	Tapdrup	D21/599	D692,623 S *	10/2013	Lipscomb	A01K 7/005
D337,629 S *	7/1993	Lal	D21/599				D30/121
D350,841 S *	9/1994	VanSkiver	D30/121	D693,522 S *	11/2013	Miller	D30/121
D350,842 S *	9/1994	VanSkiver	D30/121	D709,654 S *	7/2014	Lipscomb	D30/121
D371,643 S *	7/1996	Lillelund	D30/122	D733,366 S *	6/2015	Poisson	D30/132
D383,571 S *	9/1997	Frodsham	D30/108	D749,857 S *	2/2016	Krenkler	D4/125
D401,009 S *	11/1998	Hicaro, Jr.	D27/102	D755,306 S *	5/2016	Lee	D21/428
D403,239 S *	12/1998	Ying	D3/271.2	D771,194 S *	11/2016	Nobrega	D21/394
6,055,932 A *	5/2000	Weber	A01K 5/0114	D790,927 S *	7/2017	Reyhan	D7/555
			119/52.1	D793,492 S *	8/2017	Zanger	D21/597
6,119,286 A *	9/2000	Briscoe	A47K 3/005	D801,595 S *	10/2017	Oates	D30/132
			239/211	D807,965 S *	1/2018	Lo	D21/401
6,212,804 B1 *	4/2001	Richard	G09F 19/00	D814,714 S *	4/2018	Simon	D30/122
			40/406	D819,192 S *	5/2018	Choi	D23/366
D446,889 S *	8/2001	Bornhofen	D30/129	D822,876 S *	7/2018	Li	D26/98
D448,884 S *	10/2001	Sehl	D26/98	2005/0160995 A1 *	7/2005	Graves, Jr.	A01K 7/04
6,405,937 B1 *	6/2002	Stukenberg	B05B 17/08				119/78
			239/12	2006/0236948 A1 *	10/2006	Wechsler	A01K 5/0114
6,527,257 B1 *	3/2003	Schuld	B05B 17/085				119/77
			239/17	2010/0300366 A1 *	12/2010	Lipscomb	A01K 7/02
D503,247 S *	3/2005	Ross	D30/132				119/74
D576,768 S *	9/2008	Schulte	D21/599	2011/0114026 A1 *	5/2011	Lathim	A01K 7/02
D586,532 S *	2/2009	Madsen	D1/111				119/72
D612,455 S *	3/2010	Henderson	D21/597	2012/0017839 A1 *	1/2012	Veness	A01K 7/00
D619,843 S *	7/2010	Noren	D3/271.11				119/74
D621,555 S *	8/2010	Hewson	D30/121	2012/0137979 A1 *	6/2012	Lipscomb	A01K 45/002
D621,556 S *	8/2010	Hewson	A01K 7/00				119/74
			D30/121	2013/0087102 A1 *	4/2013	Lipscomb	A01K 7/02
D629,974 S *	12/2010	Northrop	D30/121				119/74
7,958,844 B1 *	6/2011	Northrop	A01K 7/02	2013/0180458 A1	7/2013	Lipscomb et al.	
			119/74	2014/0069341 A1 *	3/2014	Lipscomb	A01K 7/02
D642,746 S *	8/2011	Weber	D30/121				119/74
				2017/0245465 A1 *	8/2017	Oates	B65D 21/0234
				2017/0362092 A1 *	12/2017	Mainini	C02F 1/003

* cited by examiner

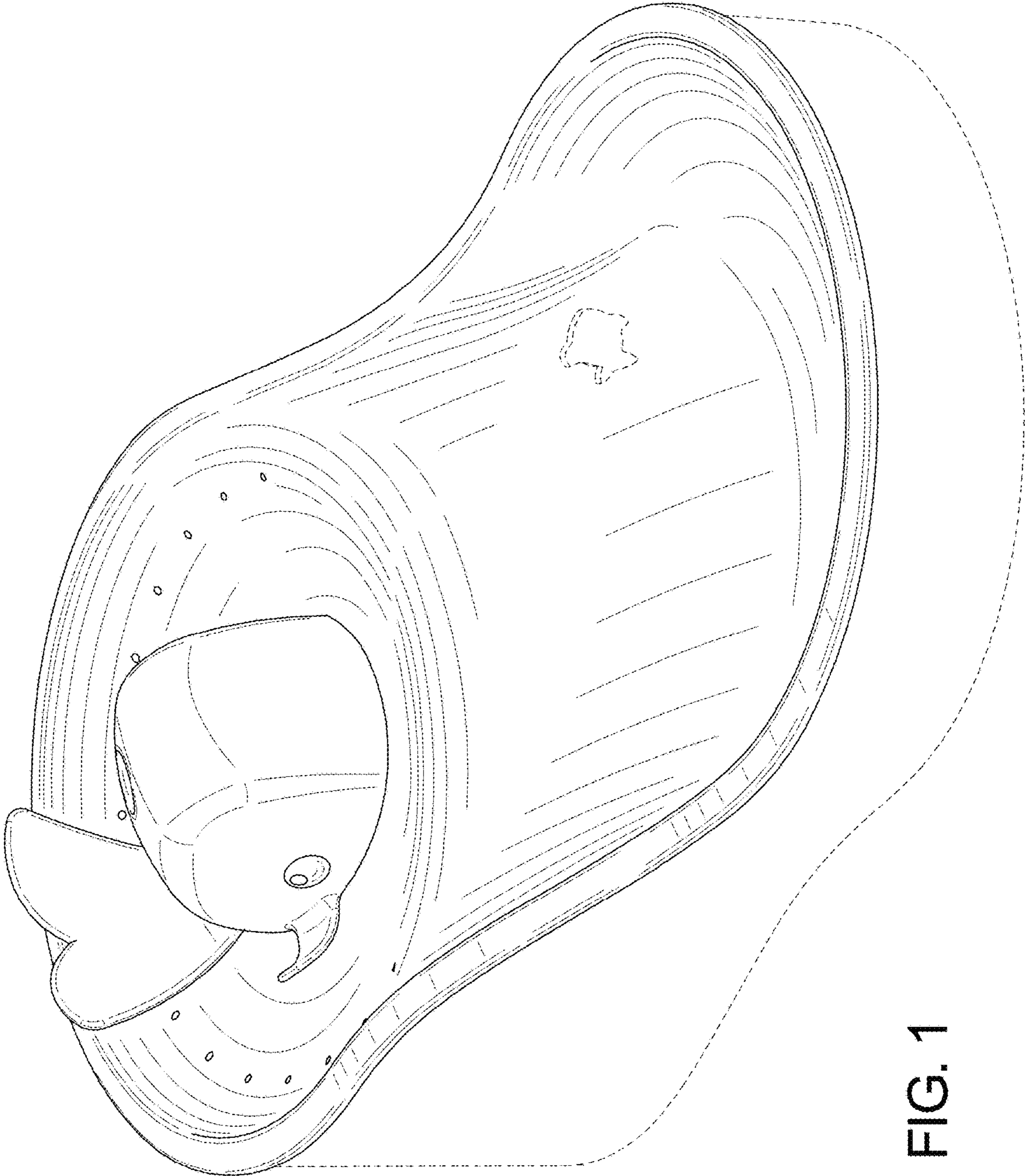


FIG. 1

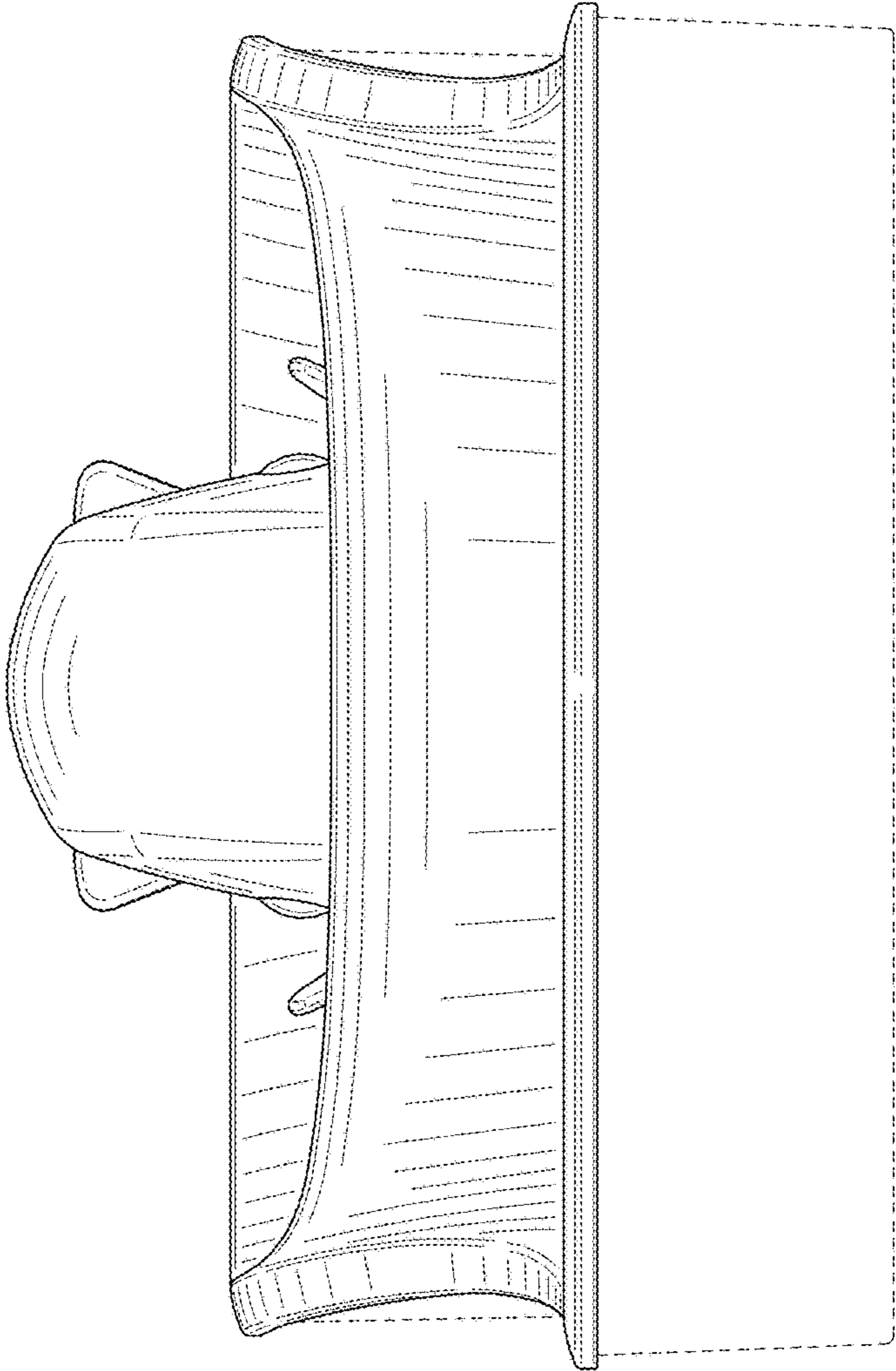


FIG. 2

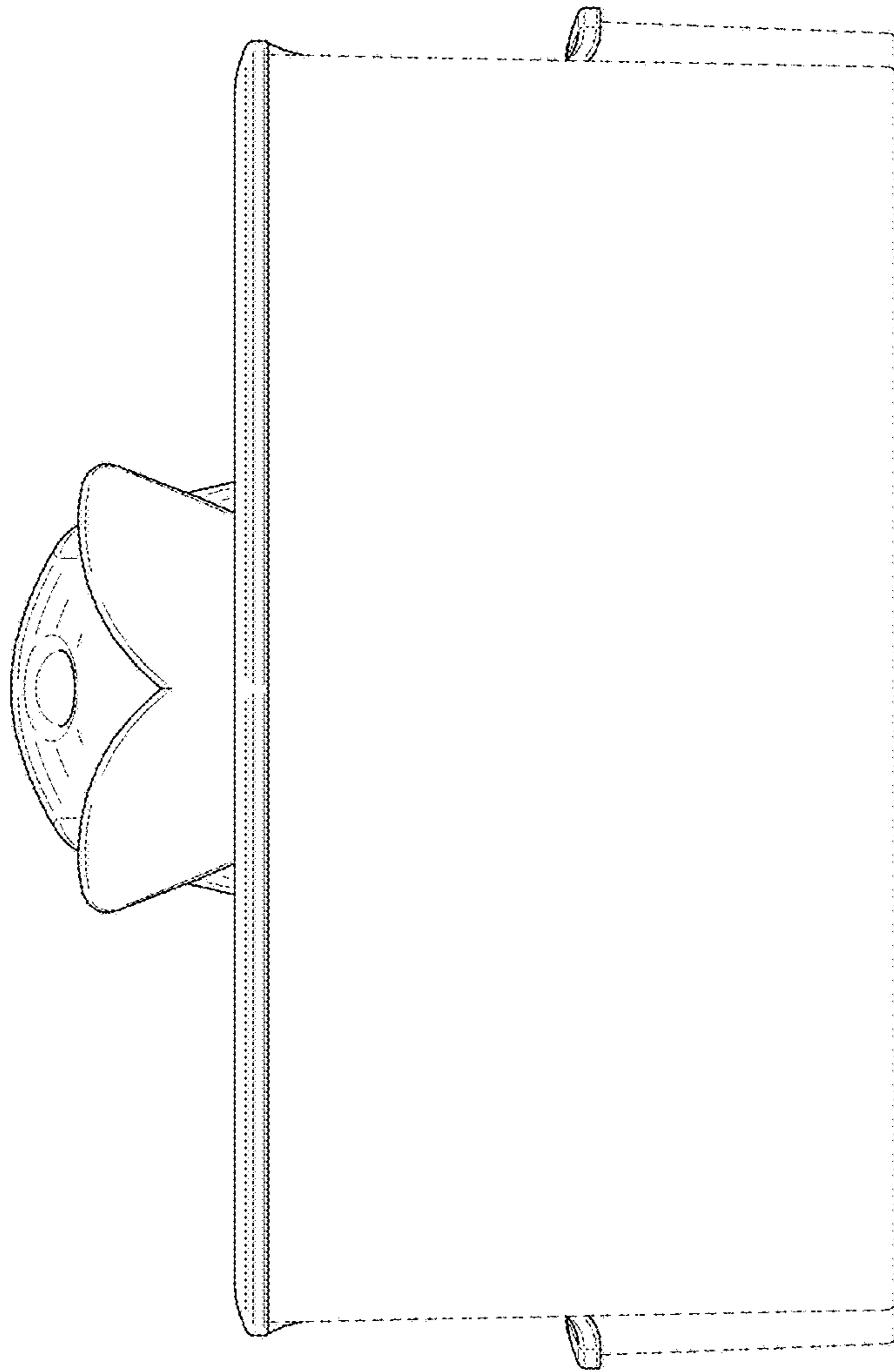


FIG. 3

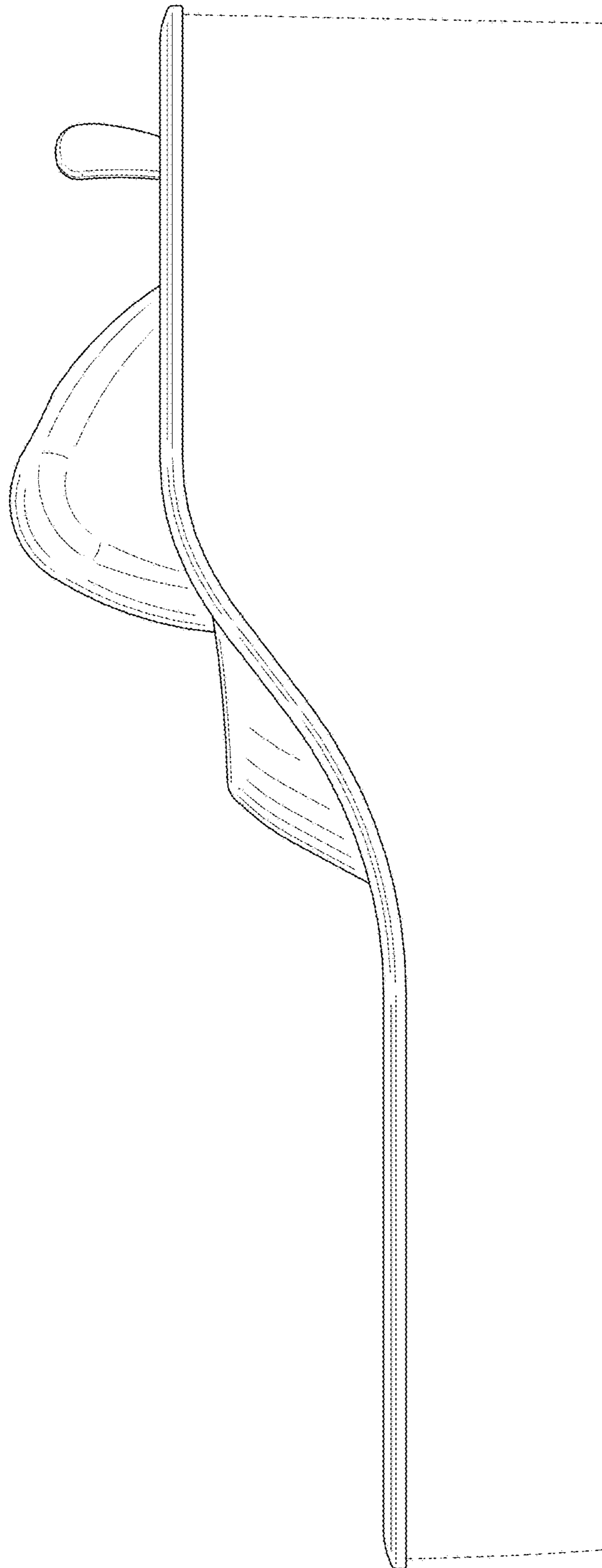


FIG. 4

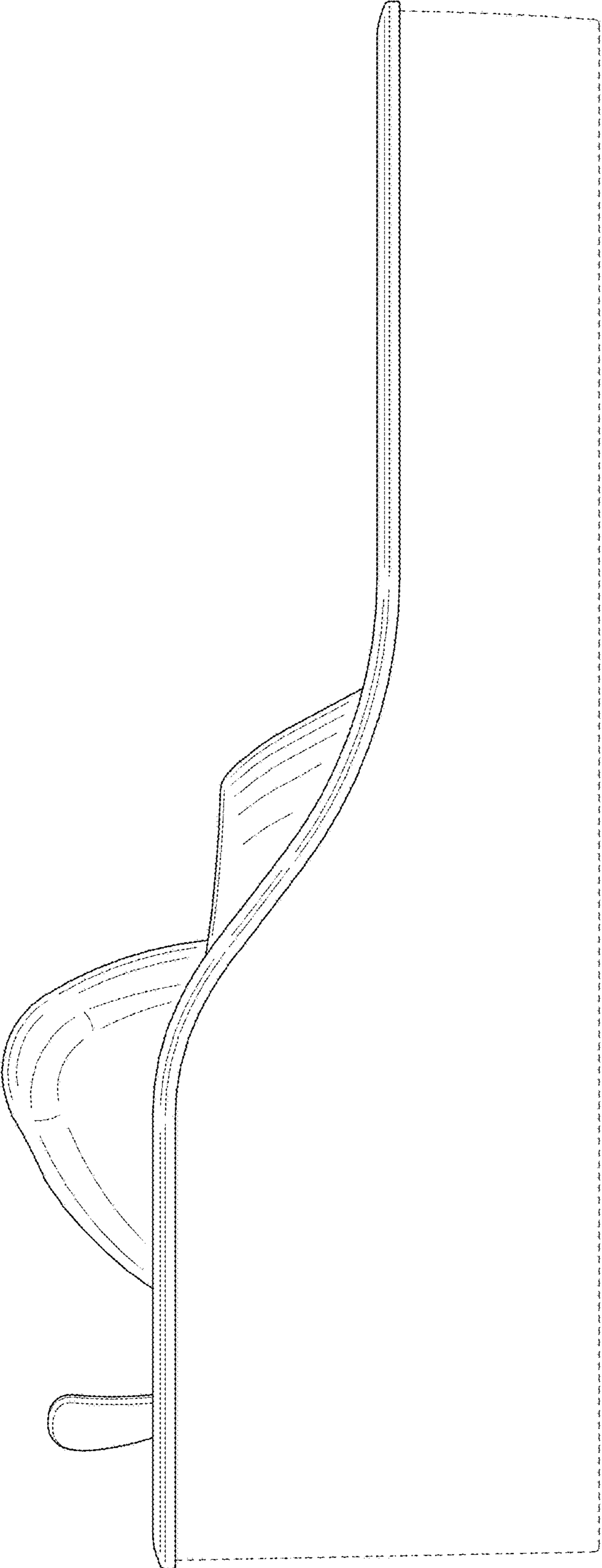


FIG. 5

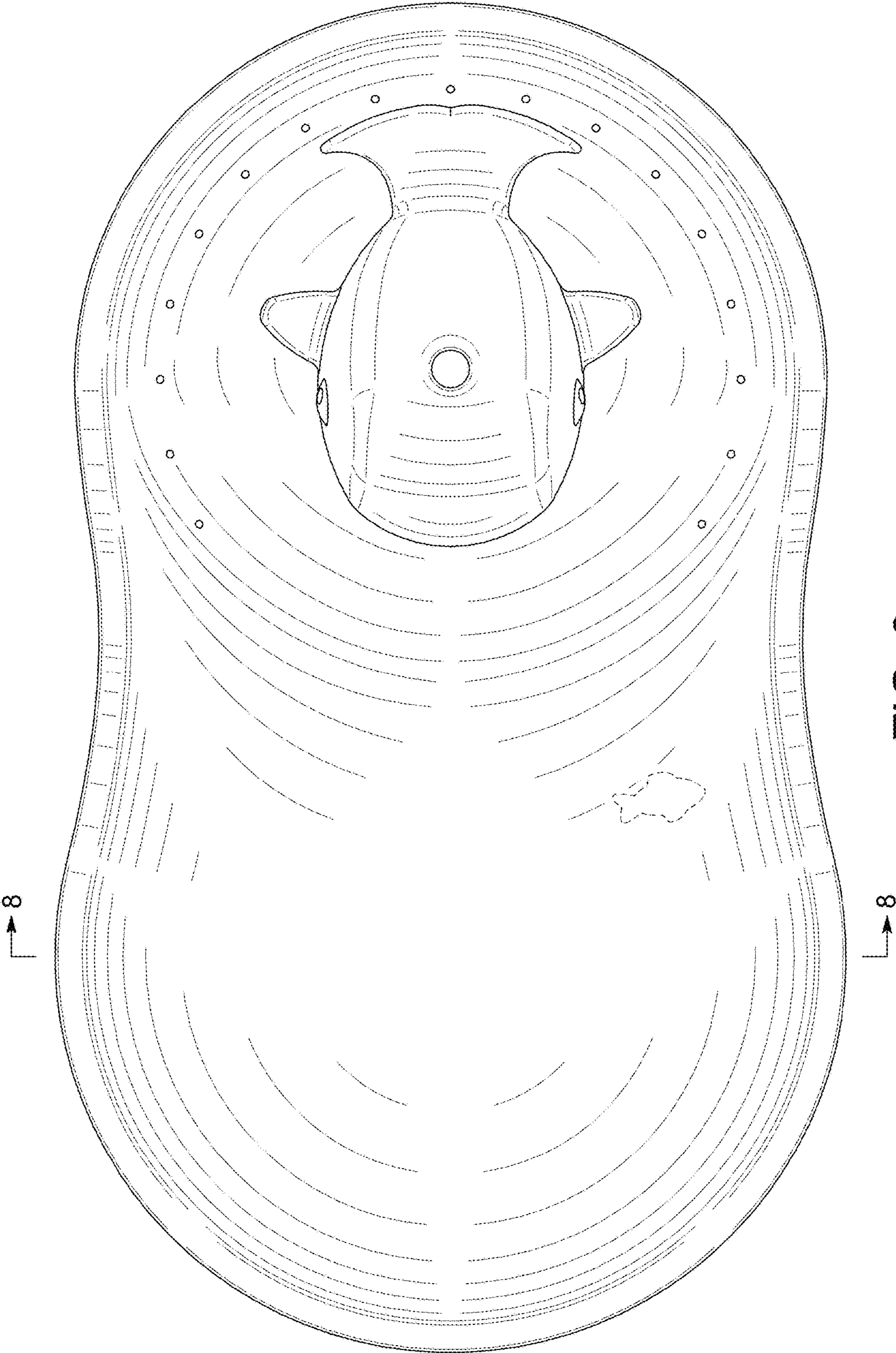


FIG. 6

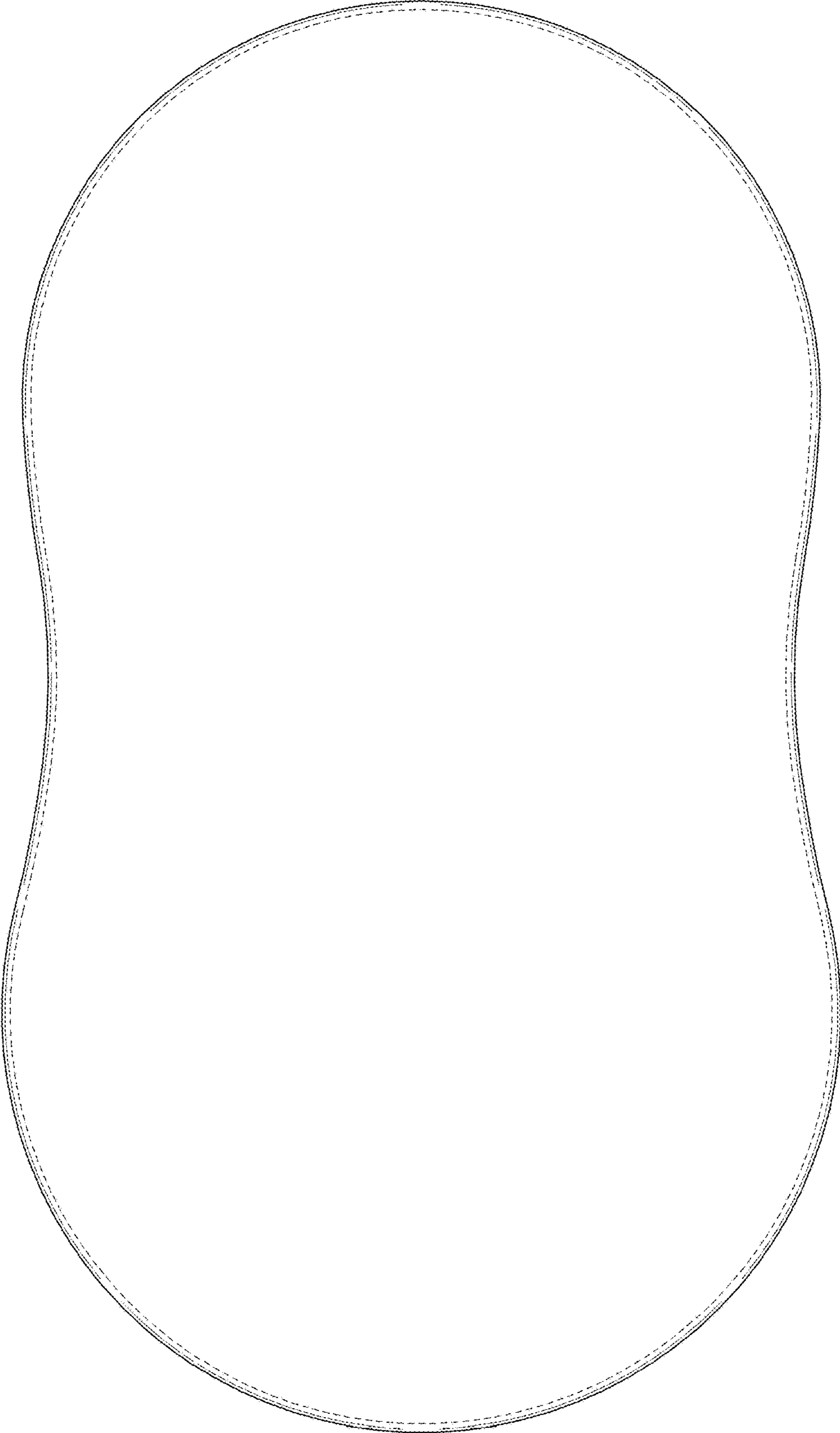


FIG. 7

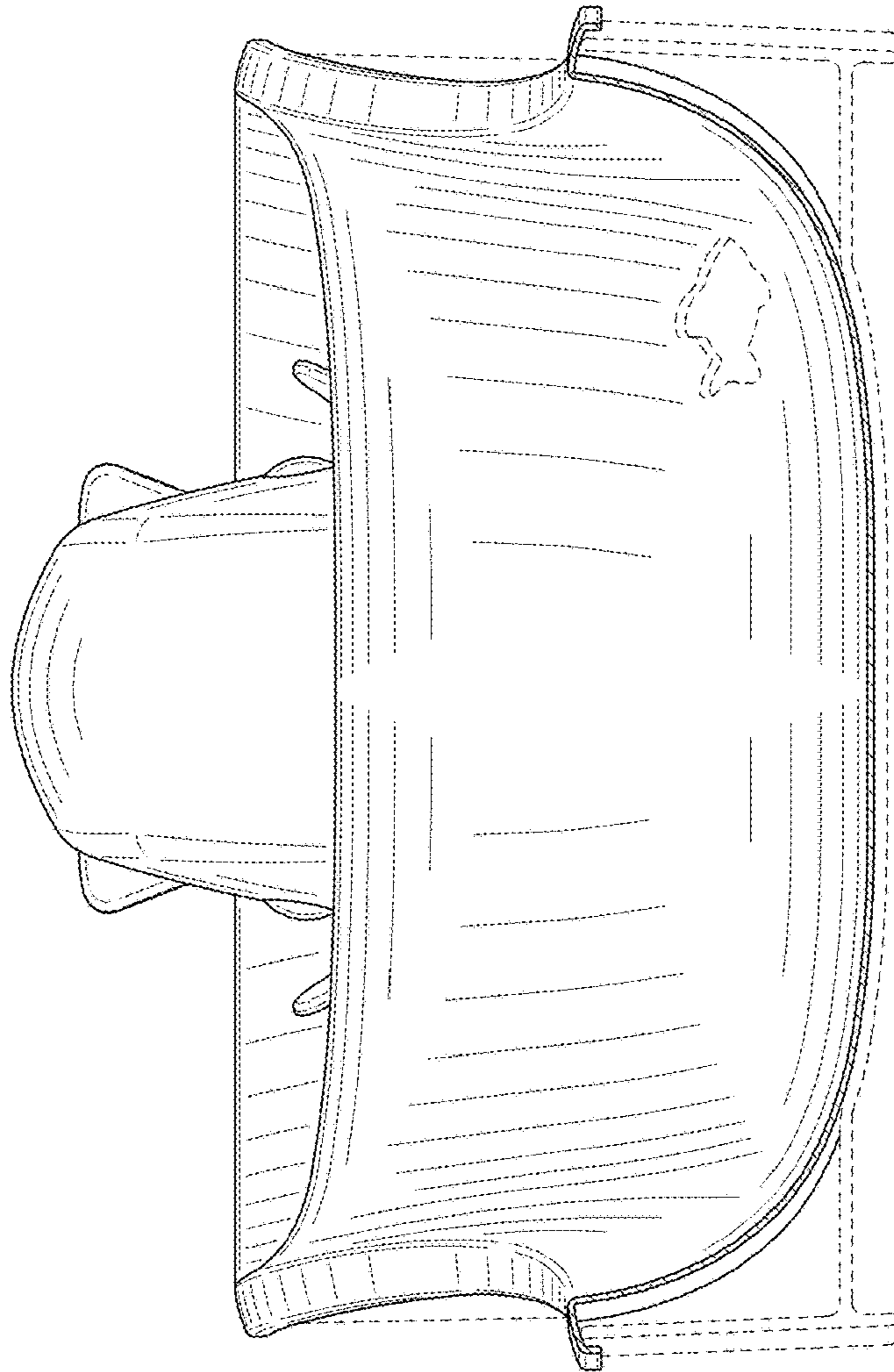


FIG. 8