



US00D850017S

(12) **United States Design Patent**
Brucato et al.

(10) **Patent No.:** **US D850,017 S**

(45) **Date of Patent:** **** May 28, 2019**

(54) **PET FEEDER**

(71) Applicants: **Gina Brucato**, Oakland, CA (US);
Benjamin Denzinger, Los Angeles, CA (US)

(72) Inventors: **Gina Brucato**, Oakland, CA (US);
Benjamin Denzinger, Los Angeles, CA (US)

(73) Assignee: **The Pooch Company, LLC**, Oakland, CA (US)

(**) Term: **15 Years**

(21) Appl. No.: **29/614,574**

(22) Filed: **Aug. 21, 2017**

(51) **LOC (11) Cl.** **30-03**

(52) **U.S. Cl.**
USPC **D30/132; D30/121; D30/129**

(58) **Field of Classification Search**

USPC D30/121-133; 119/51.01, 61, 51.04, 53, 119/57.91, 54, 53.5, 52.4, 51.11, 63, 61.2, 119/52.1, 57.5, 57.6, 51.13, 62, 75, 500, 119/501, 72, 72.5, 74, 78-81, 61.56, 51.5; 239/7, 687, 379, 397.5; 222/199, 181.1, 222/181.2, 185.1, 557, 156, 485, 486, 222/548, 555, 207, 205, 424, 438, 48, 222/206, 212, 215, 460, 461, 525, 86, 89; 220/200, 227, 247, 262, 694, 700, 701, 220/703, 660-662, 521, 705, 709, 287, 220/523, 574, 6, 771, 737, 23.83, 212, 220/4.22, 847; 221/174, 185.1, 289, 295, 221/296, 559; 454/35

CPC . A01K 7/00; A01K 7/005; A01K 7/02; A01K 7/022; A01K 7/06; A01K 39/0213; A01K 39/02; A01K 5/0114; B65D 41/26; B65D 41/265; B65D 41/28; B65D 41/32; B65D 41/325; B65D 41/34; B65D 41/56; B65D 51/20; B65D 51/249; B65D 51/24; B65D 51/28; B65D 47/243; B65D 2205/04; B65D 21/0238; B65D 81/3205; B65D

81/3216; B65D 71/50; B65D 77/2024; B65D 43/0212; B65D 2517/0049; B65D 2543/00046; B65D 2517/00092; B65D 2517/00537; B65D 2517/00731; B65D 2517/00796; B65D 2577/205; A61J 9/00; A61J 9/006; A61J 9/001; A61J 9/003; A61J 11/04; A61J 19/00; B65B 39/00; B65B 39/001; B65B 39/005; B65B 39/007; B67C 11/02; G01F 11/286; B67B 7/28; A45F 3/16; A45F 3/46; A45F 5/102; A45F

(Continued)

(56) **References Cited**

U.S. PATENT DOCUMENTS

1,901,534 A * 3/1933 Redfield A45C 11/20
206/543
D136,406 S * 9/1943 Cline D26/41

(Continued)

Primary Examiner — Susan Moon Lee

(74) *Attorney, Agent, or Firm* — Steven E. Shapiro

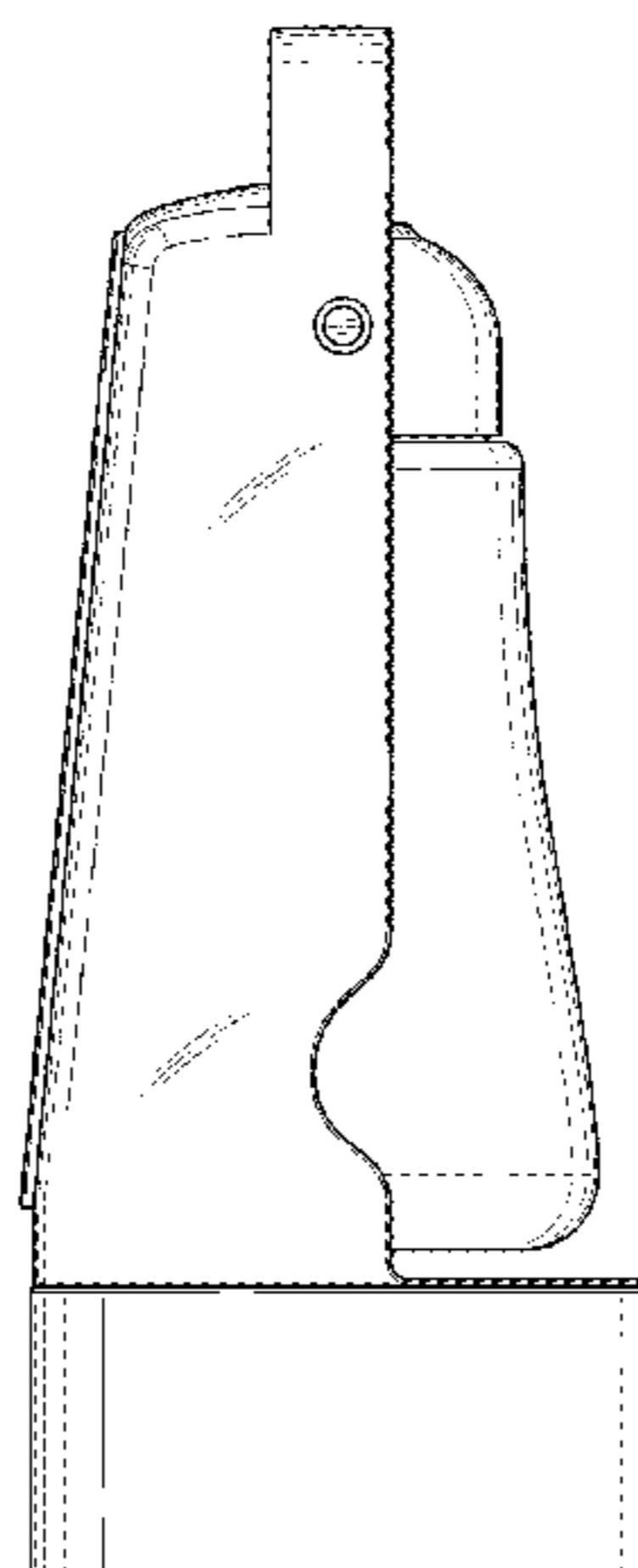
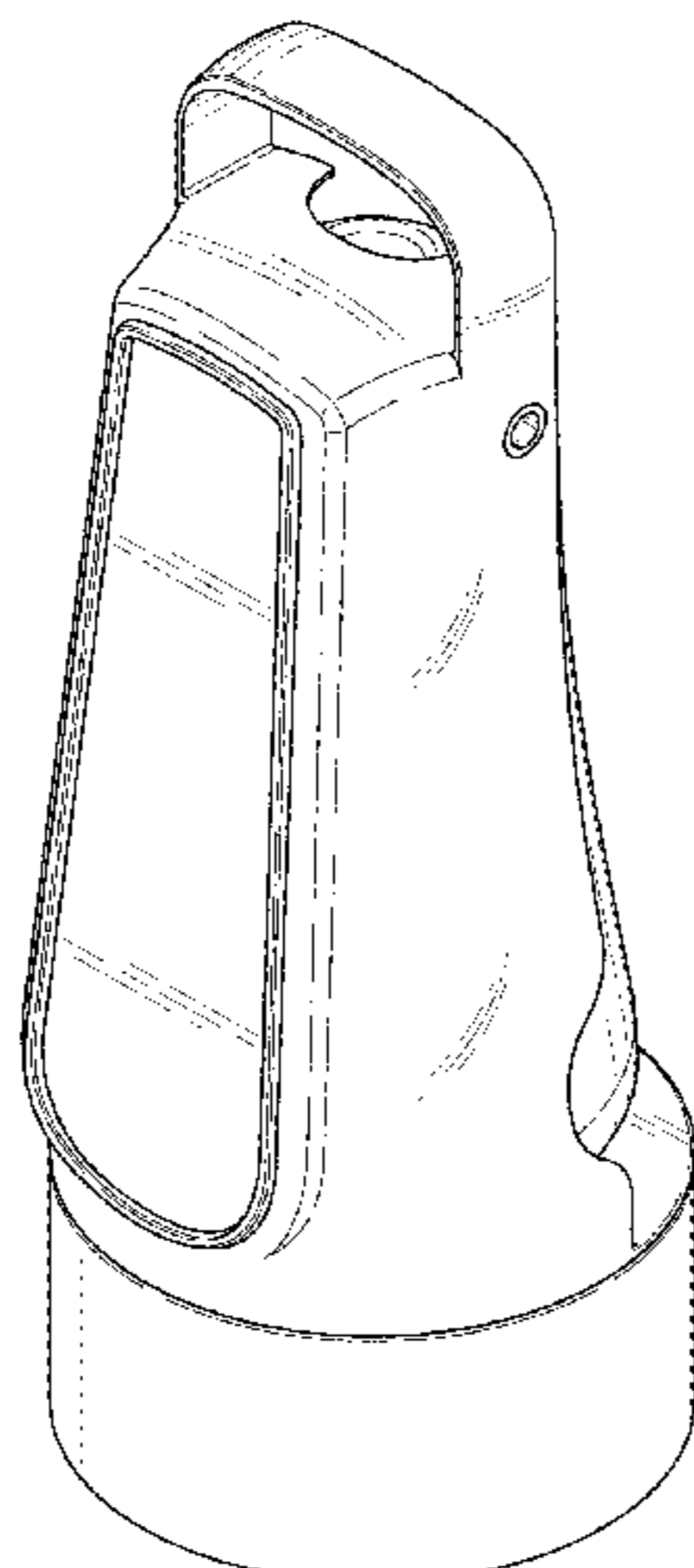
(57) **CLAIM**

The ornamental design for a pet feeder, as shown and described.

DESCRIPTION

FIG. 1 is a top, front perspective view of a pet feeder; FIG. 2 is a top, rear perspective view of a pet feeder; FIG. 3 is a front plan view of the pet feeder; FIG. 4 is a rear plan view of the pet feeder; FIG. 5 is a left side plan view of the pet feeder; FIG. 6 is a right side plan view of the pet feeder; FIG. 7 is a top plan view of the pet feeder; FIG. 8 is a bottom plan view of the pet feeder; and, FIG. 9 is a bottom, front perspective view of the pet feeder. The broken lines represent portions of the pet feeder that form no part of the claimed design.

1 Claim, 9 Drawing Sheets



US D850,017 S

Page 2

(58) **Field of Classification Search**

CPC 2005/1066; A45F 2005/1073; A45F
2200/0583; A47G 23/0241; A47G
2023/0291

See application file for complete search history.

(56) **References Cited**

U.S. PATENT DOCUMENTS

3,159,298 A * 12/1964 Saw A47J 41/0011
215/228
D249,218 S * 9/1978 Mathison D7/550.1
4,984,723 A * 1/1991 Hsu A45F 3/04
215/10
D374,952 S * 10/1996 Wenstrand D30/132
5,636,592 A * 6/1997 Wechsler A01K 7/02
119/52.1
5,960,742 A * 10/1999 O'Rourke A01K 7/02
119/74
D423,736 S * 4/2000 O'Rourke D30/132
6,405,675 B1 * 6/2002 Mills A01K 7/00
119/51.5
D468,489 S * 1/2003 Wechsler D30/132
D519,658 S * 4/2006 Izardel D10/111
D560,010 S * 1/2008 Kwok D26/40
D578,831 S * 10/2008 Loibl D7/619.1
D705,467 S * 5/2014 Aglassinger D26/41
D705,501 S * 5/2014 Li D30/121
D739,984 S * 9/2015 Harvey D30/121
D773,704 S * 12/2016 Pardo D26/41
D783,872 S * 4/2017 Aksnes D26/41

D791,992 S * 7/2017 Hsu D26/41
D794,855 S * 8/2017 Prestidge-Kadrlik D26/38
D813,210 S * 3/2018 Benedetti D14/230
D838,690 S * 1/2019 Cheon D14/216
2007/0017450 A1 * 1/2007 Hurwitz A01K 7/00
119/74
2007/0017451 A1 * 1/2007 Hurwitz A01K 7/00
119/74
2007/0017452 A1 * 1/2007 Hurwitz A01K 7/00
119/74
2008/0087224 A1 * 4/2008 Wechsler A01K 7/00
119/52.1
2009/0159009 A1 * 6/2009 Parks A01K 7/00
119/74
2011/0204048 A1 * 8/2011 Carino A45F 3/18
220/4.03
2011/0240675 A1 * 10/2011 McDoonald B05B 15/62
222/180
2012/0193316 A1 * 8/2012 Starks B65D 81/3205
215/6
2012/0298045 A1 * 11/2012 Wechsler A01K 7/00
119/52.1
2013/0087559 A1 * 4/2013 Landon A01K 5/0114
220/23.4
2014/0209032 A1 * 7/2014 Li A01K 7/00
119/74
2014/0261198 A1 * 9/2014 Wechsler A01K 7/00
119/52.1
2017/0127859 A1 * 5/2017 Hornung A45F 3/18
2017/0354120 A1 * 12/2017 Yang A01K 7/00

* cited by examiner

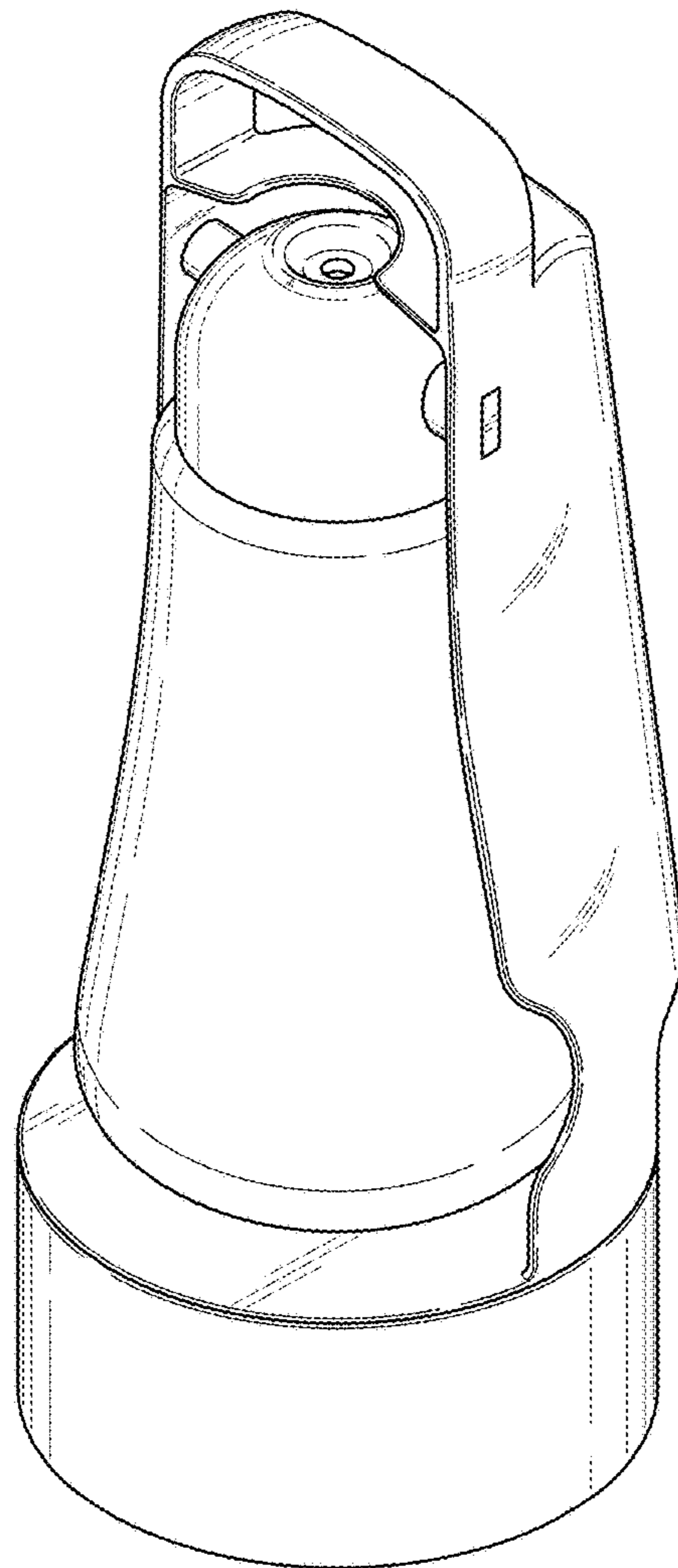


FIG. 1

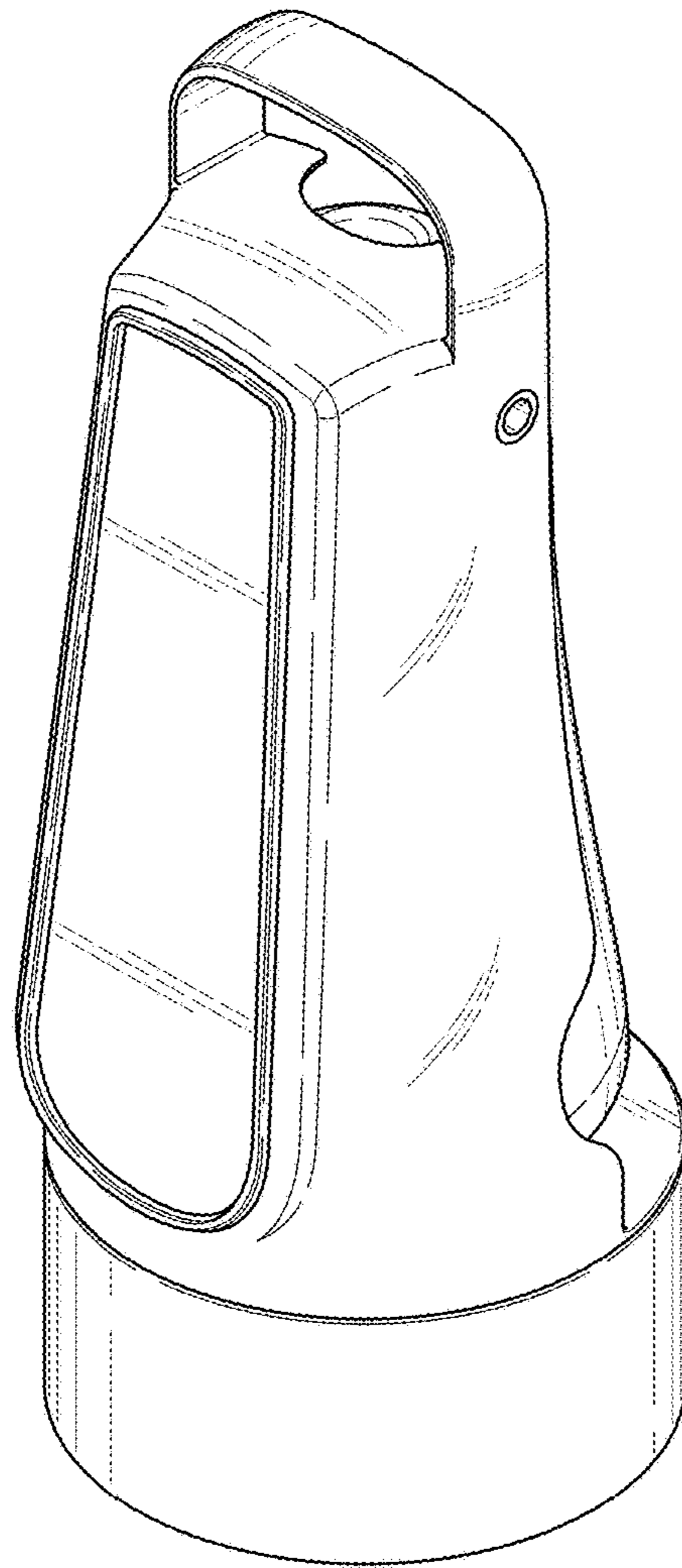


FIG. 2

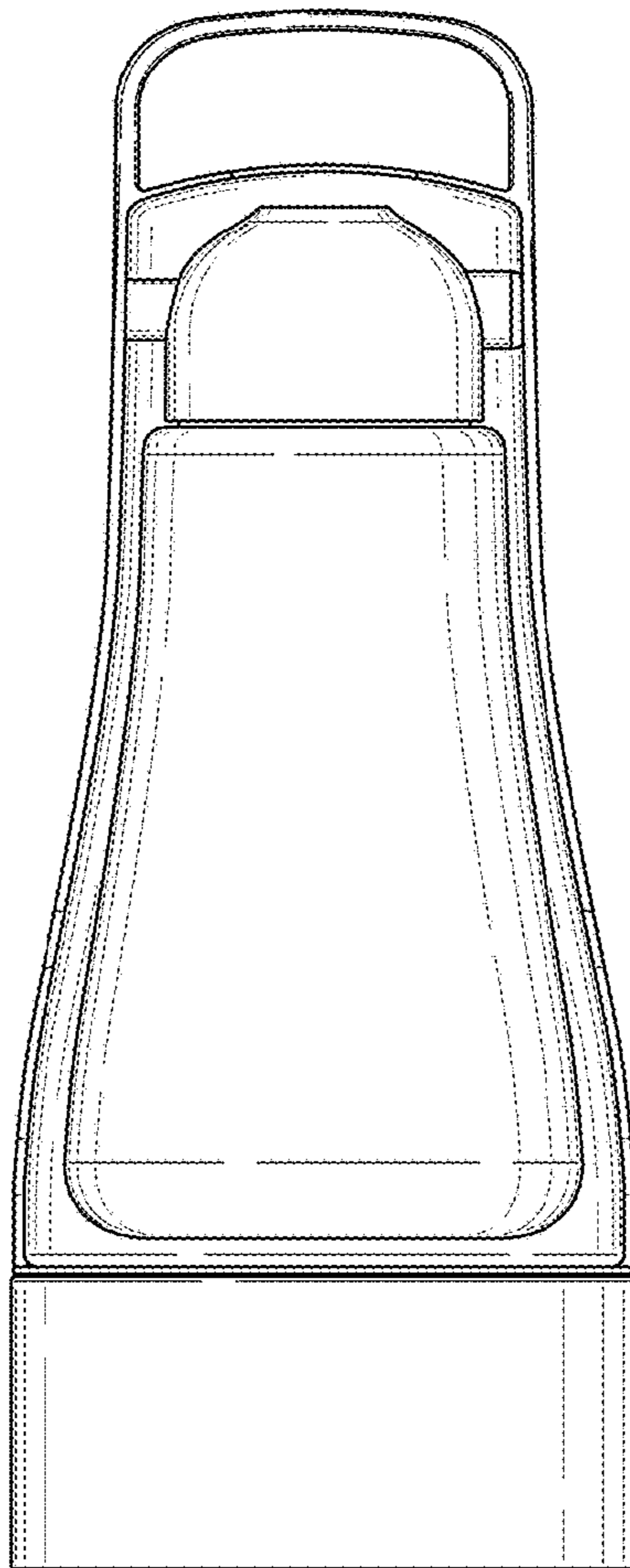


FIG. 3

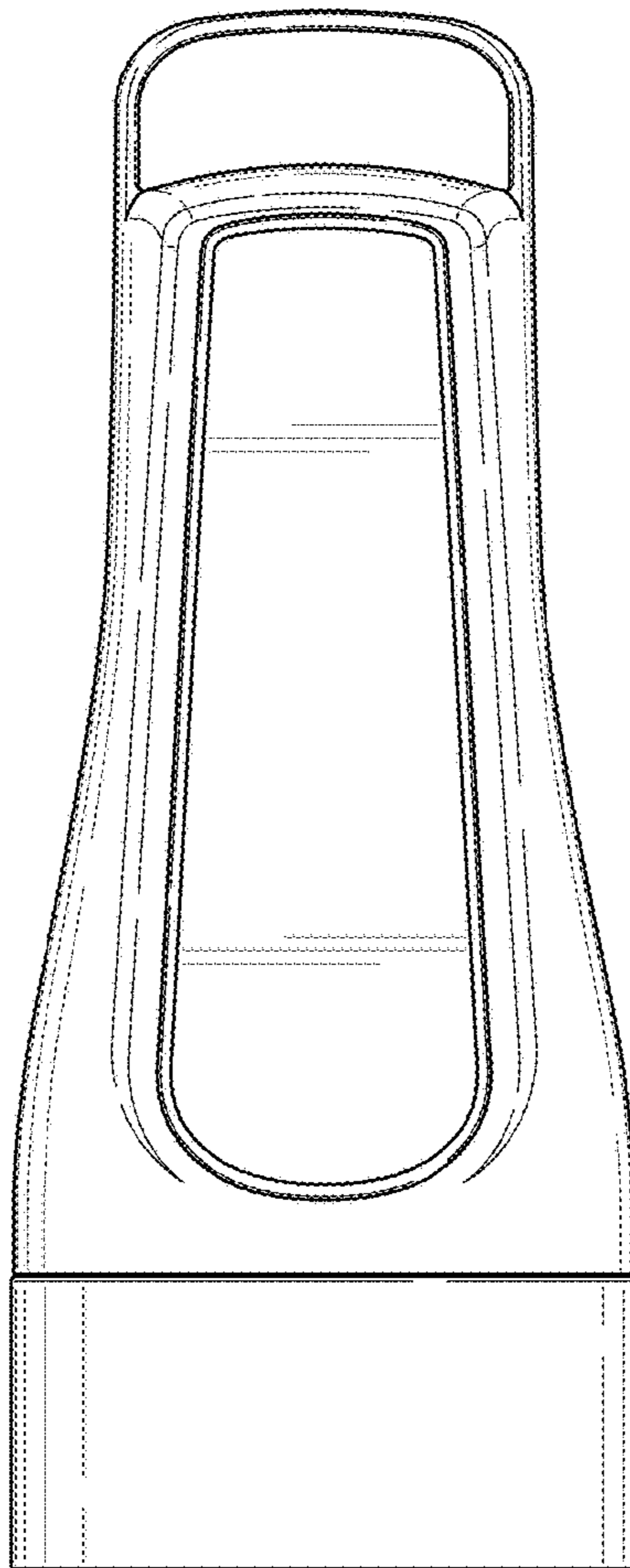


FIG. 4

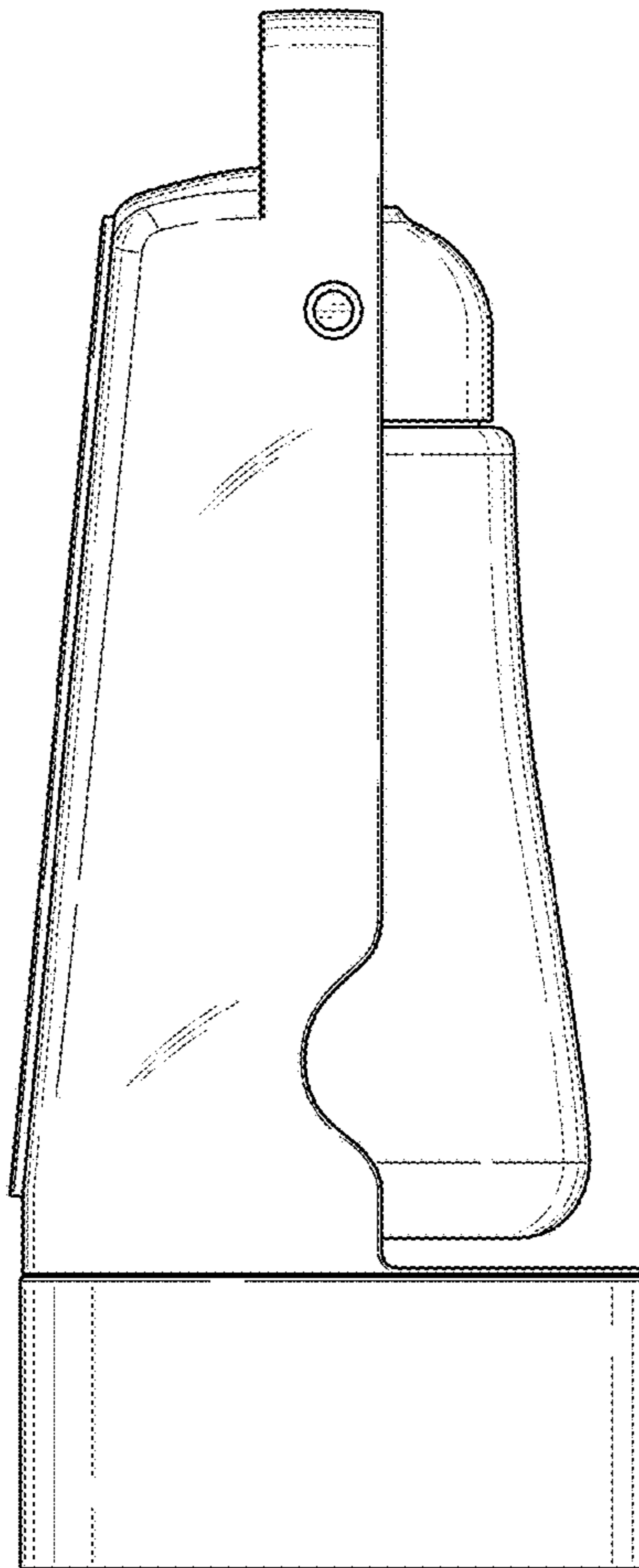


FIG. 5

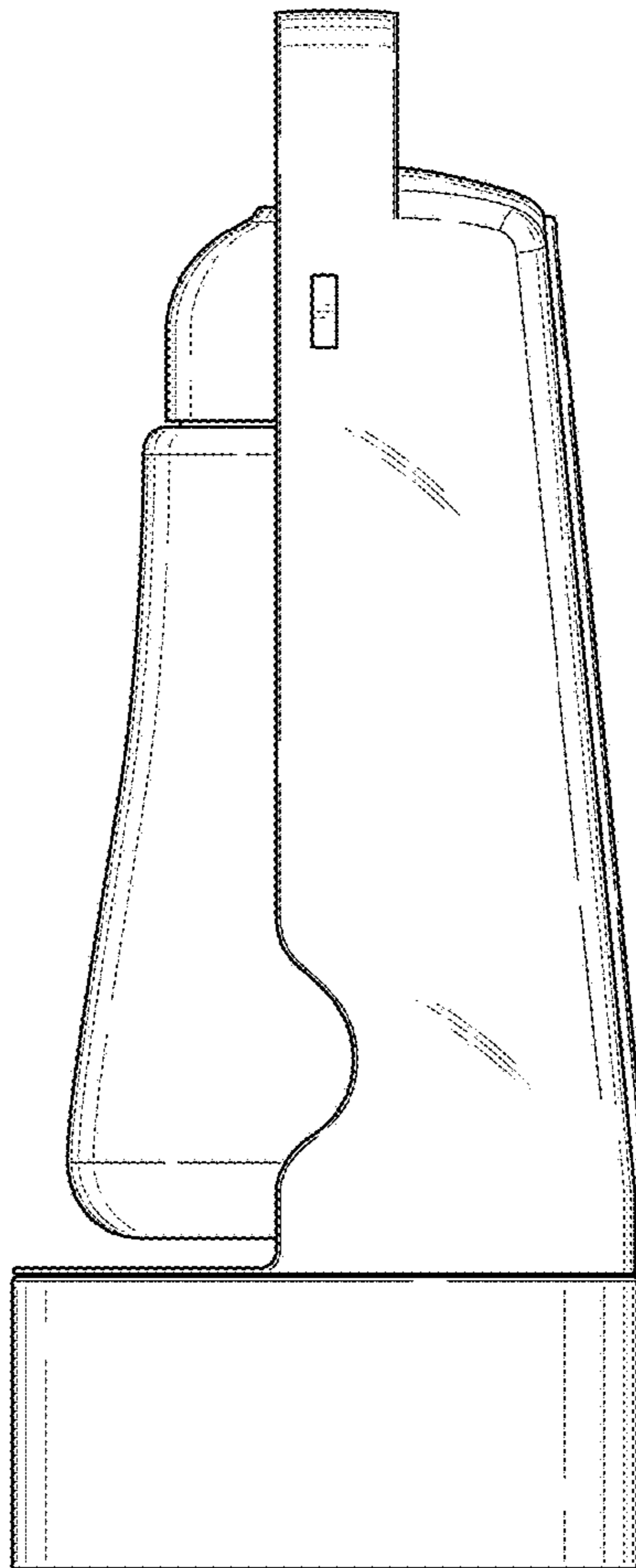


FIG. 6

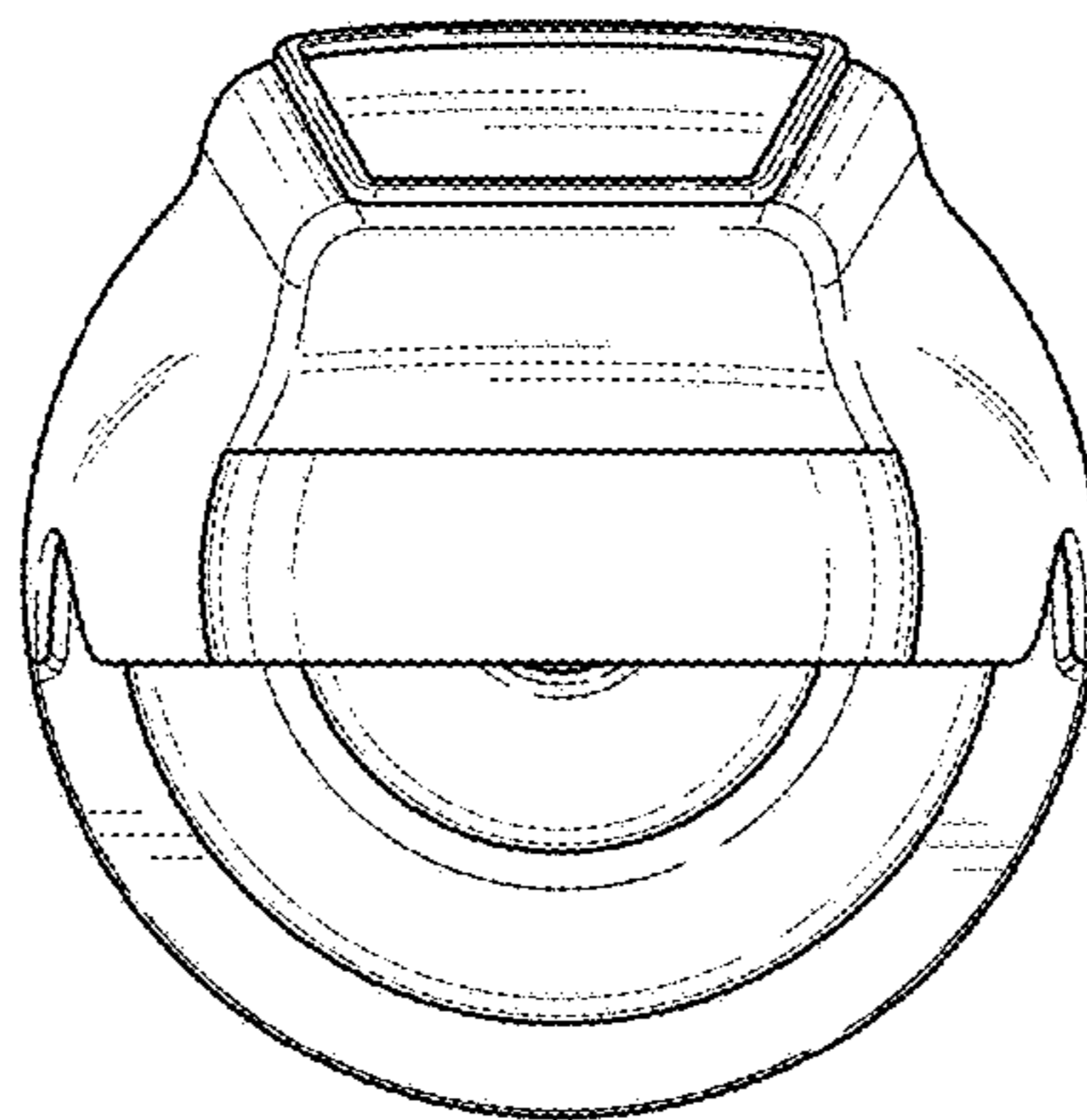


FIG. 7

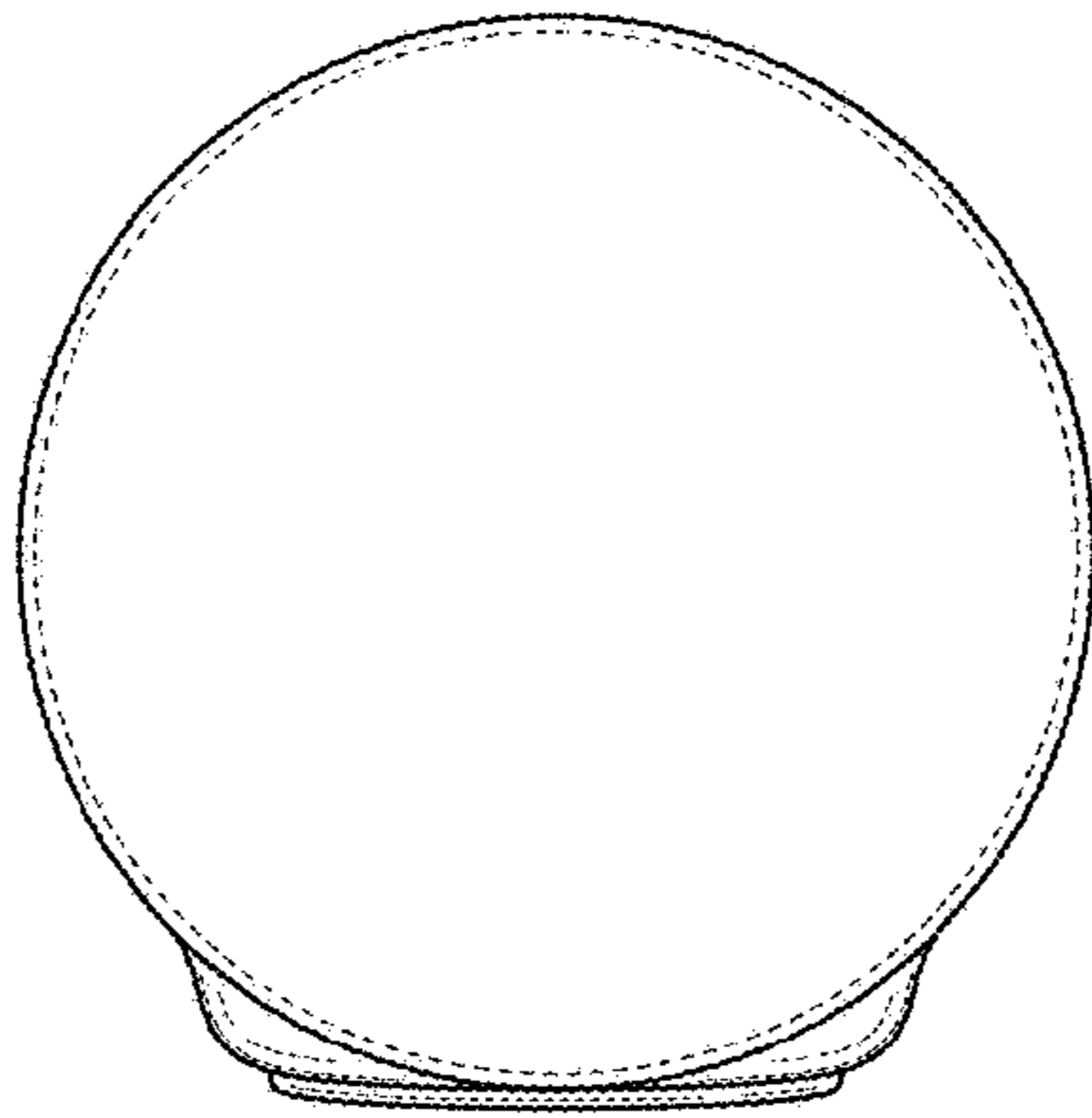


FIG. 8

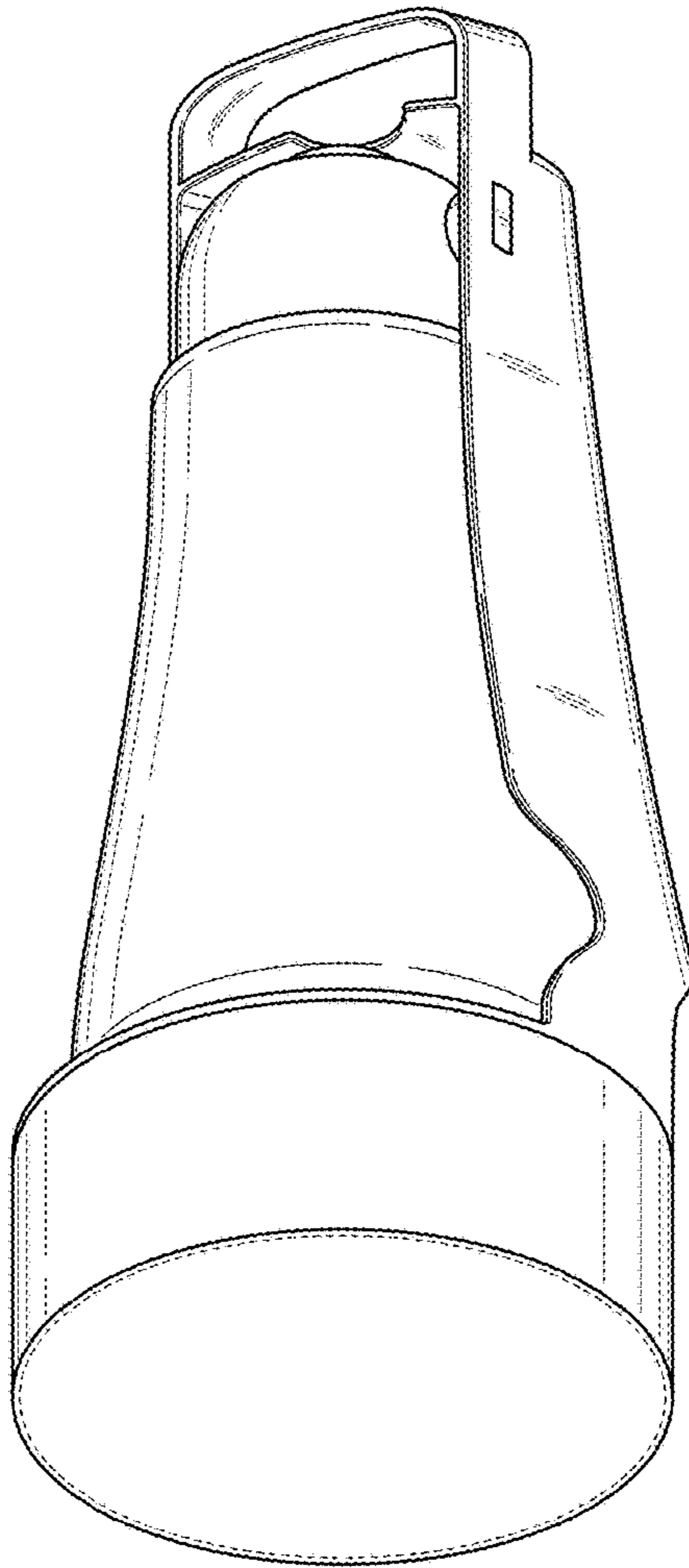


FIG. 9