



US00D850009S

(12) **United States Design Patent** (10) **Patent No.:** **US D850,009 S**
Jackson (45) **Date of Patent:** **** May 28, 2019**

(54) **SAFETY VEST**
(71) Applicant: **James Jackson**, Allison Park, PA (US)
(72) Inventor: **James Jackson**, Allison Park, PA (US)
(**) Term: **15 Years**
(21) Appl. No.: **29/612,564**
(22) Filed: **Aug. 2, 2017**
(51) **LOC (11) Cl.** **29-01**
(52) **U.S. Cl.**
USPC **D29/101.4**
(58) **Field of Classification Search**
USPC D29/101.4
CPC A41D 1/04; A41D 13/01
See application file for complete search history.

D799,120 S * 10/2017 Kim D29/101.4
D804,100 S * 11/2017 Gill D29/101.4
9,854,856 B1 * 1/2018 Baldonado A41D 13/01
9,867,403 B2 * 1/2018 Atkinson, Jr. A41D 1/04
9,968,141 B2 * 5/2018 Ward G01N 1/2273
10,076,142 B2 * 9/2018 Samuelsen A41D 13/01
2007/0247834 A1 10/2007 Turner
2012/0033411 A1 2/2012 Heo
2013/0025021 A1 1/2013 Wright

* cited by examiner

Primary Examiner — Charles D Hanson

(57) **CLAIM**

The ornamental design for a safety vest, as shown and described.

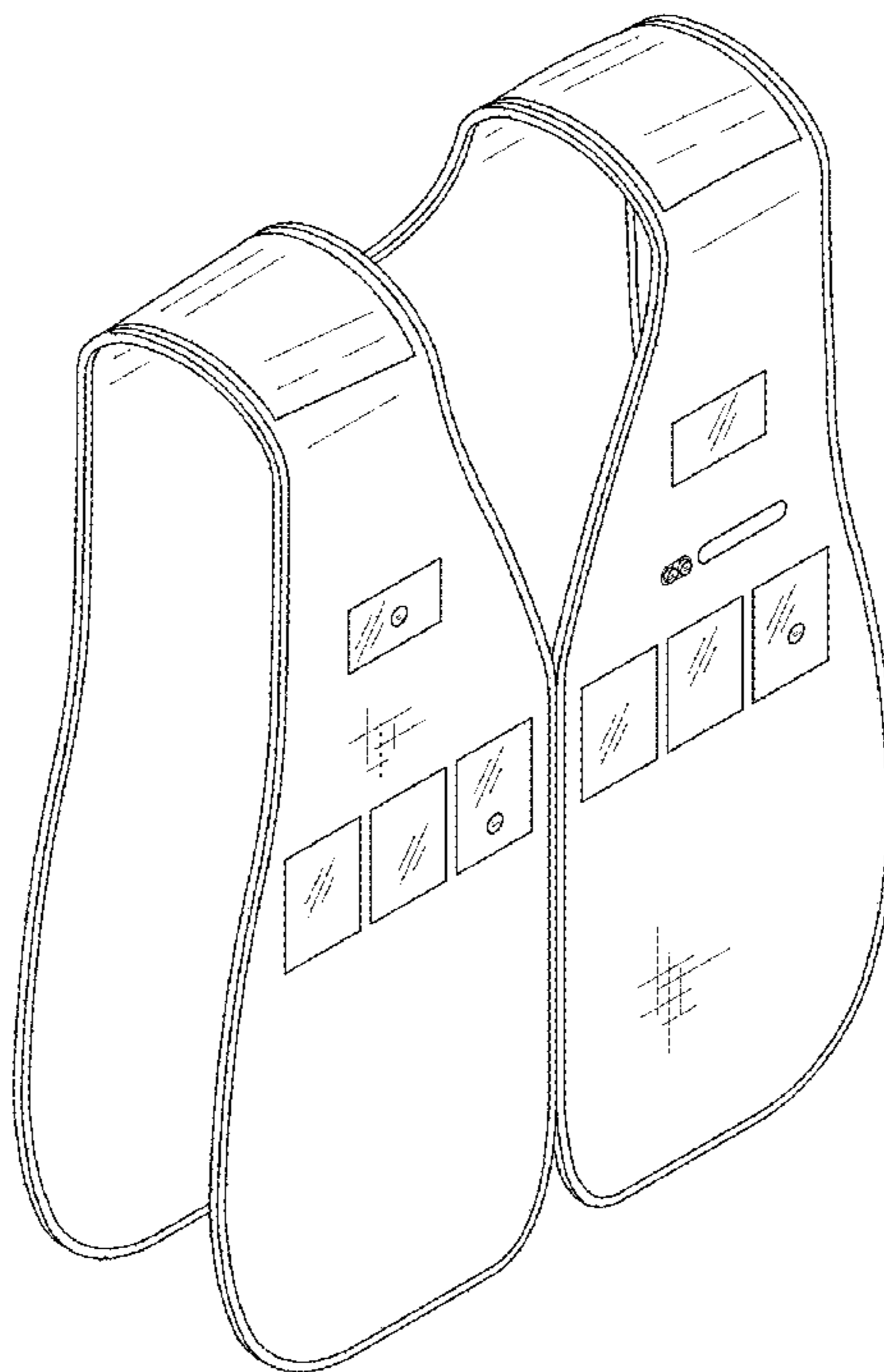
DESCRIPTION

FIG. 1 is a front view of a safety vest showing my new design;
FIG. 2 is a rear view of the safety vest;
FIG. 3 is a top view of the safety vest;
FIG. 4 is a bottom view of the safety vest;
FIG. 5 is a left side view of the safety vest, a right side view being identical;
6 is a top front side perspective view of the safety vest;
FIG. 7 is a top rear side perspective view of the safety vest; and,
FIG. 8 is a rear view of an embodiment of the safety vest. The broken lines in FIG. 8 are for illustrative purposes only and form no part of the claimed design.

1 Claim, 7 Drawing Sheets

(56) **References Cited**
U.S. PATENT DOCUMENTS

4,112,482 A 9/1978 Powell
4,164,008 A 8/1979 Miller et al.
5,070,436 A 12/1991 Alexander et al.
D440,716 S 4/2001 Lesley
6,267,482 B1 7/2001 Miller et al.
7,422,340 B2 9/2008 Golle et al.
D670,033 S * 10/2012 Kusnier D29/101.4
8,408,731 B1 * 4/2013 Joyner A41D 1/04
2/102
D694,957 S * 12/2013 Barker D29/101.4
D733,971 S * 7/2015 Jones D29/101.4
D766,514 S * 9/2016 Deng D29/101.4
D773,150 S * 12/2016 Hackenberg D2/717
D792,027 S * 7/2017 Gill D29/101.4



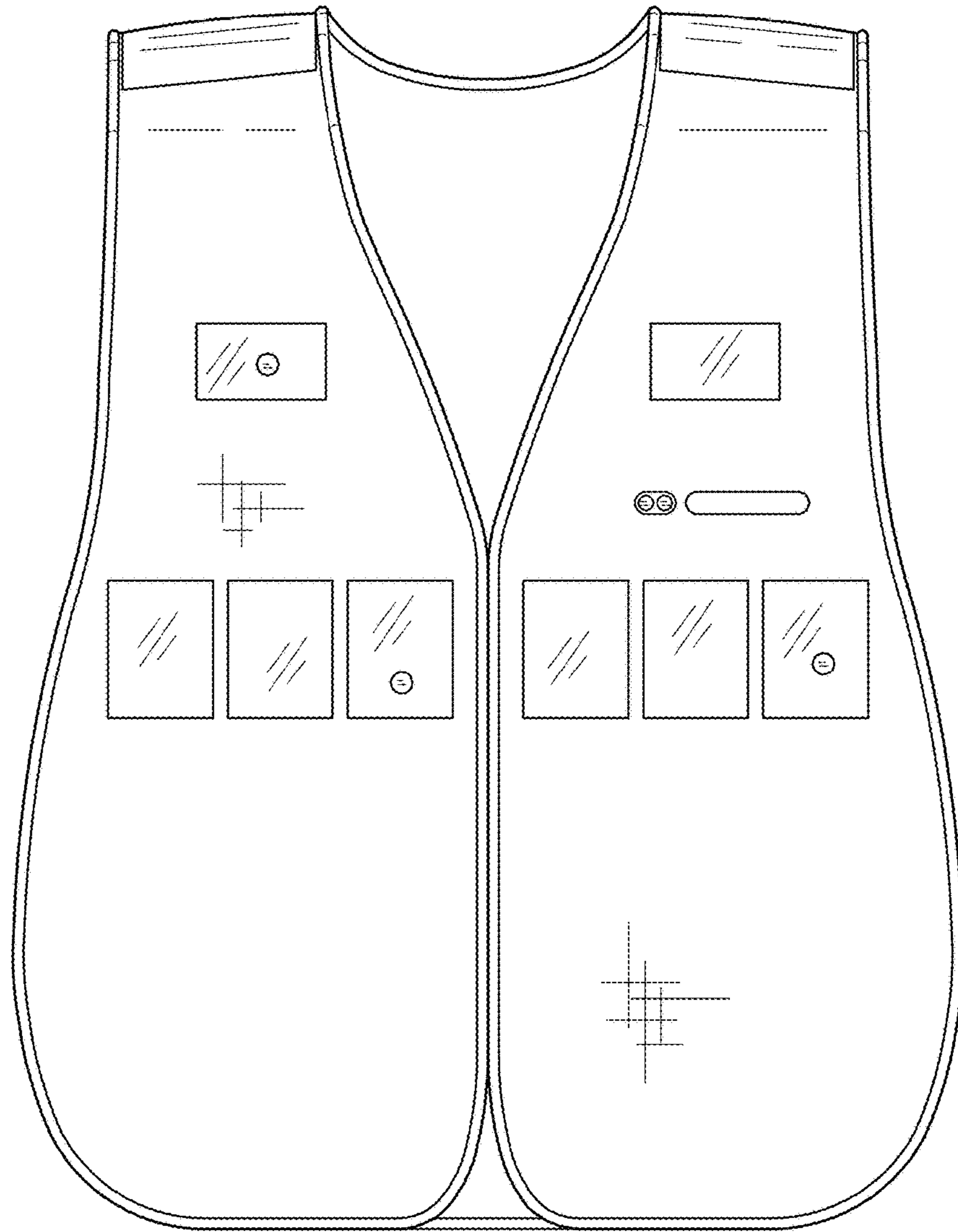


FIG. 1

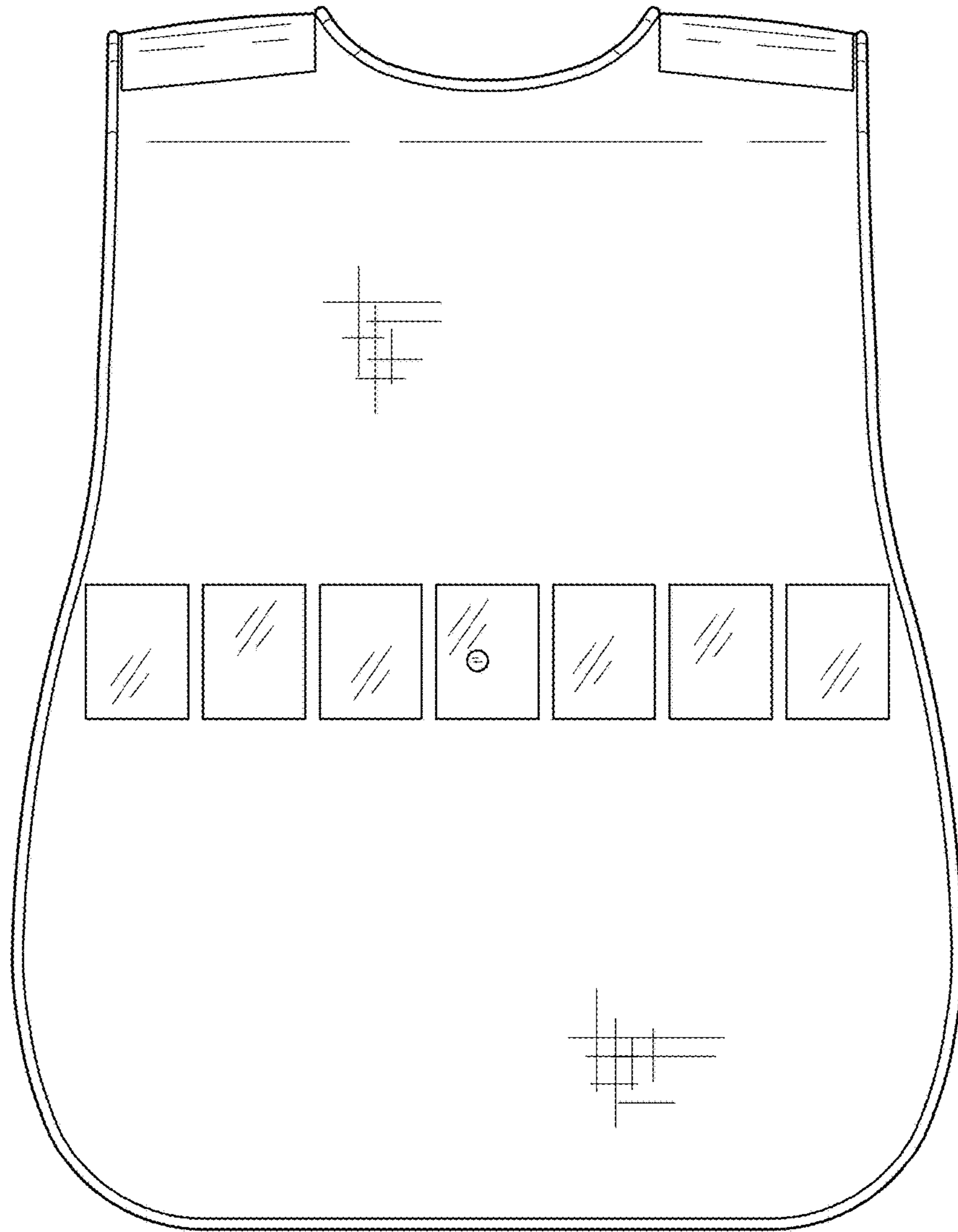


FIG. 2

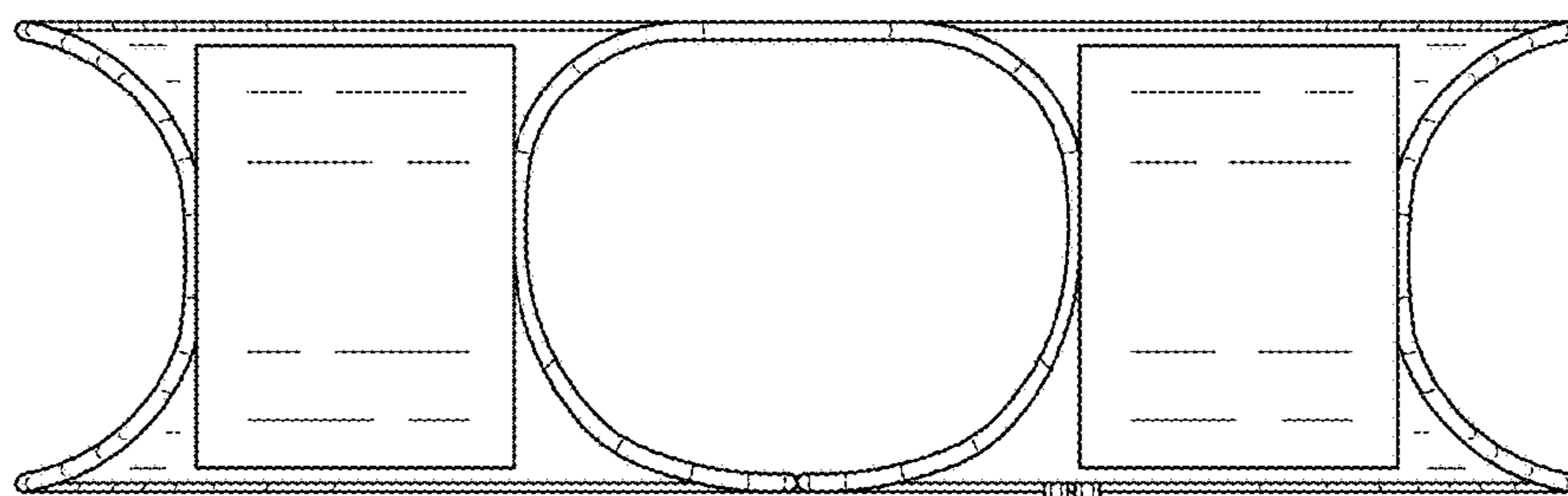


FIG. 3

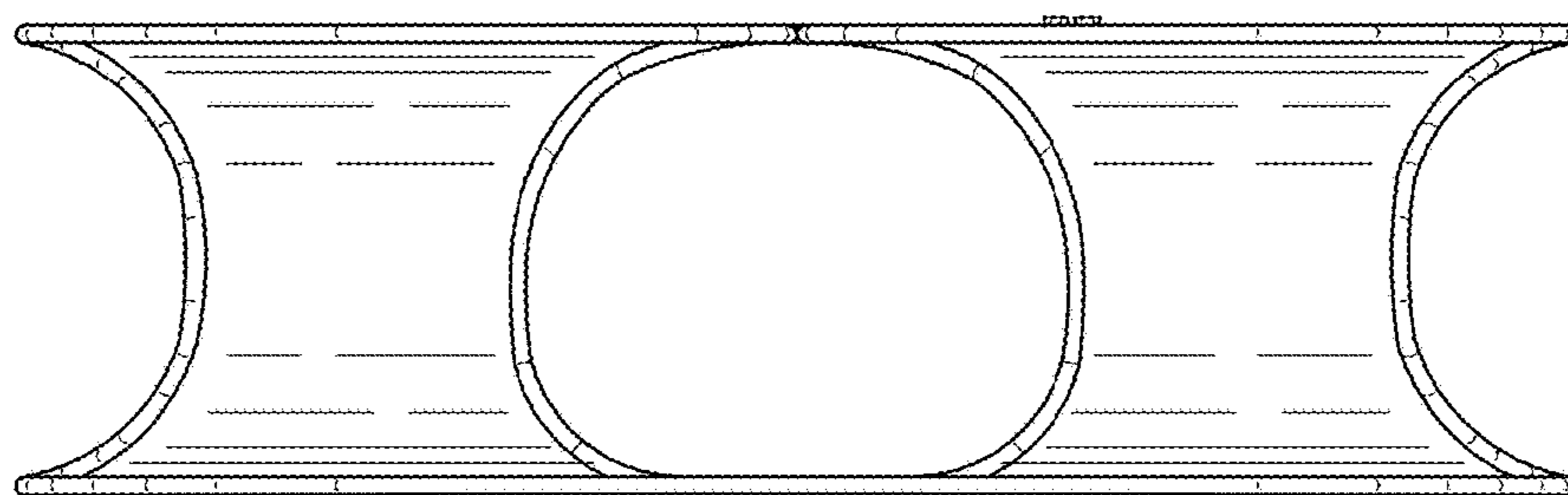


FIG. 4

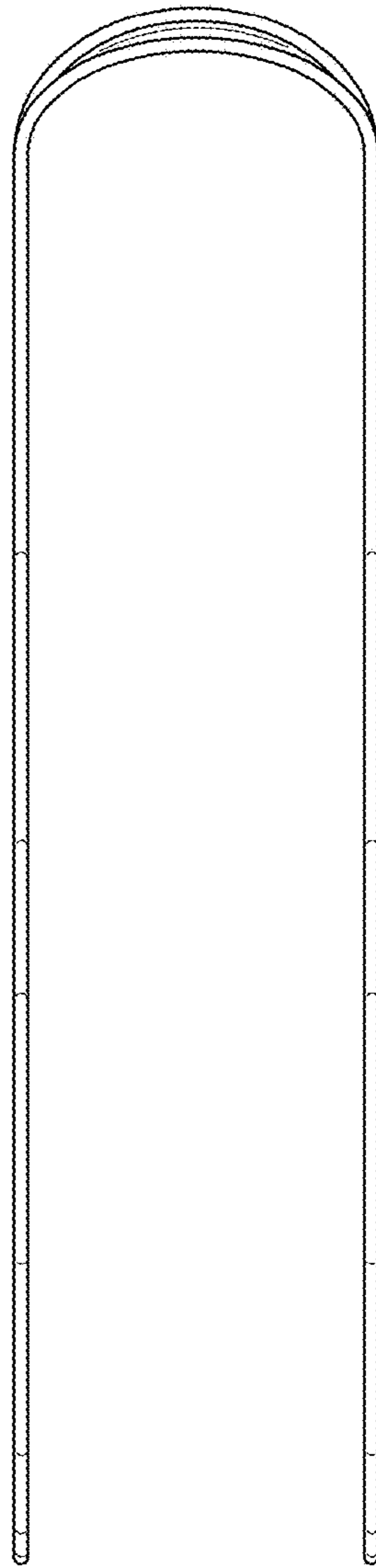


FIG. 5

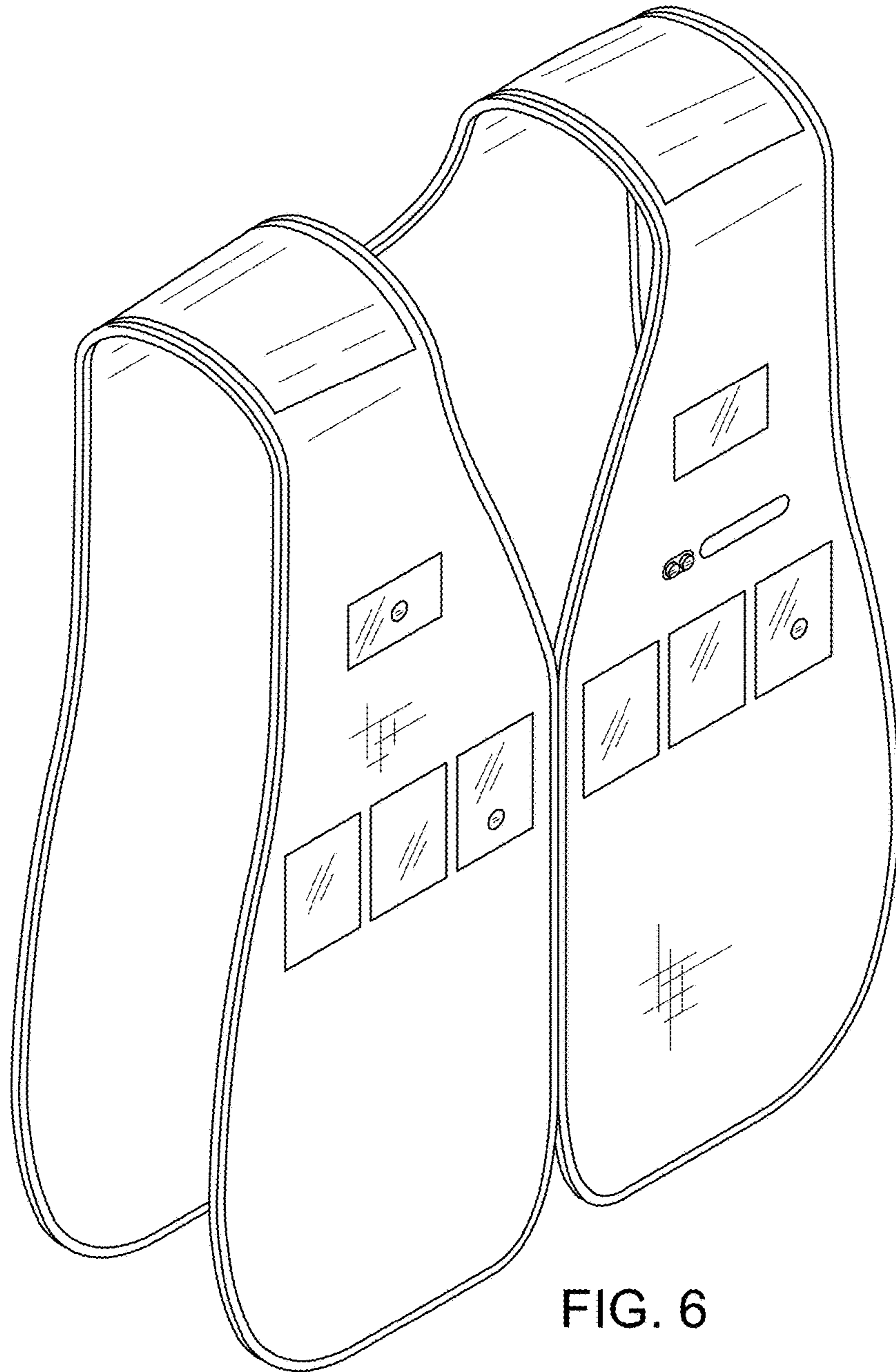


FIG. 6

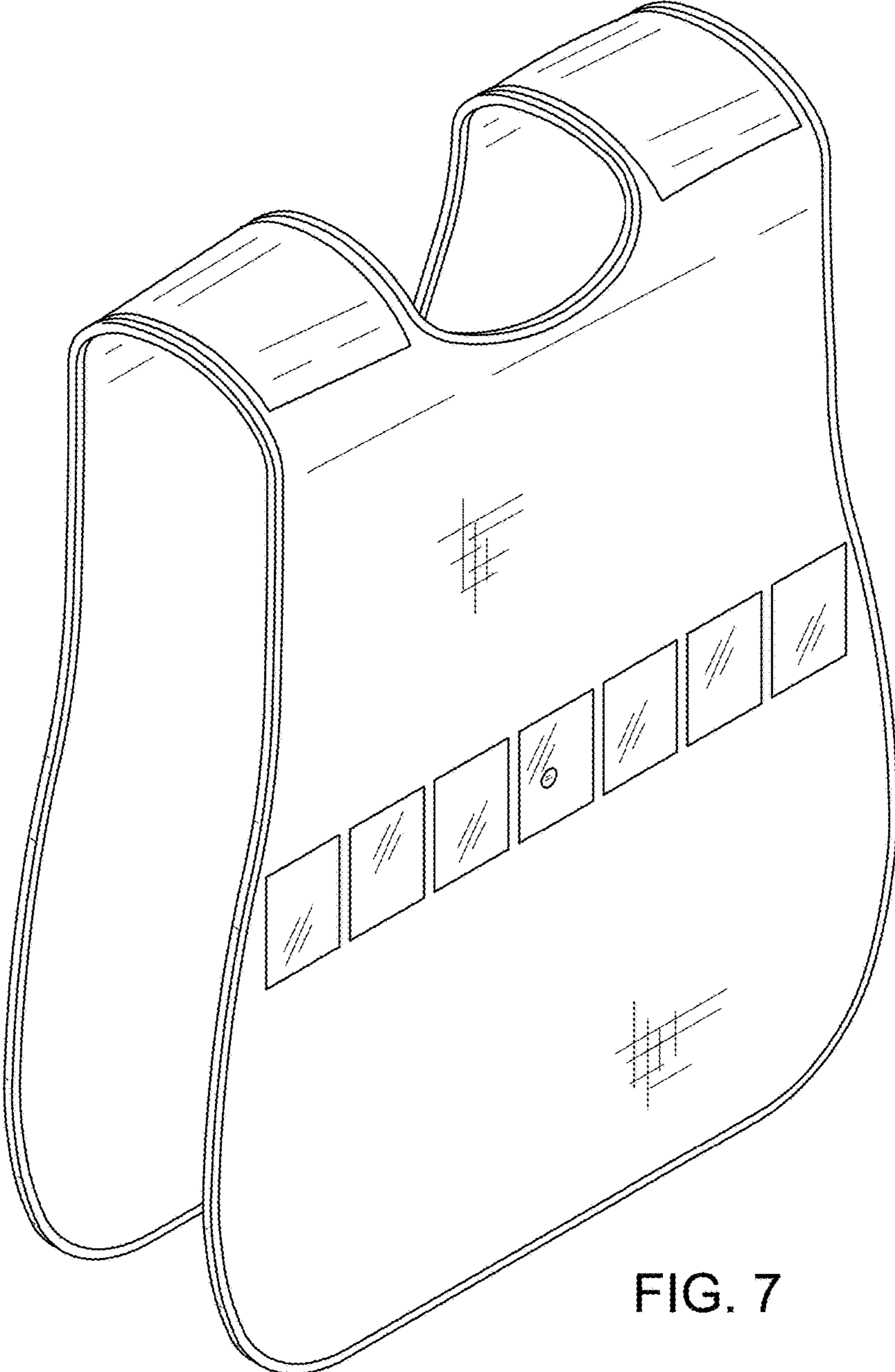


FIG. 7

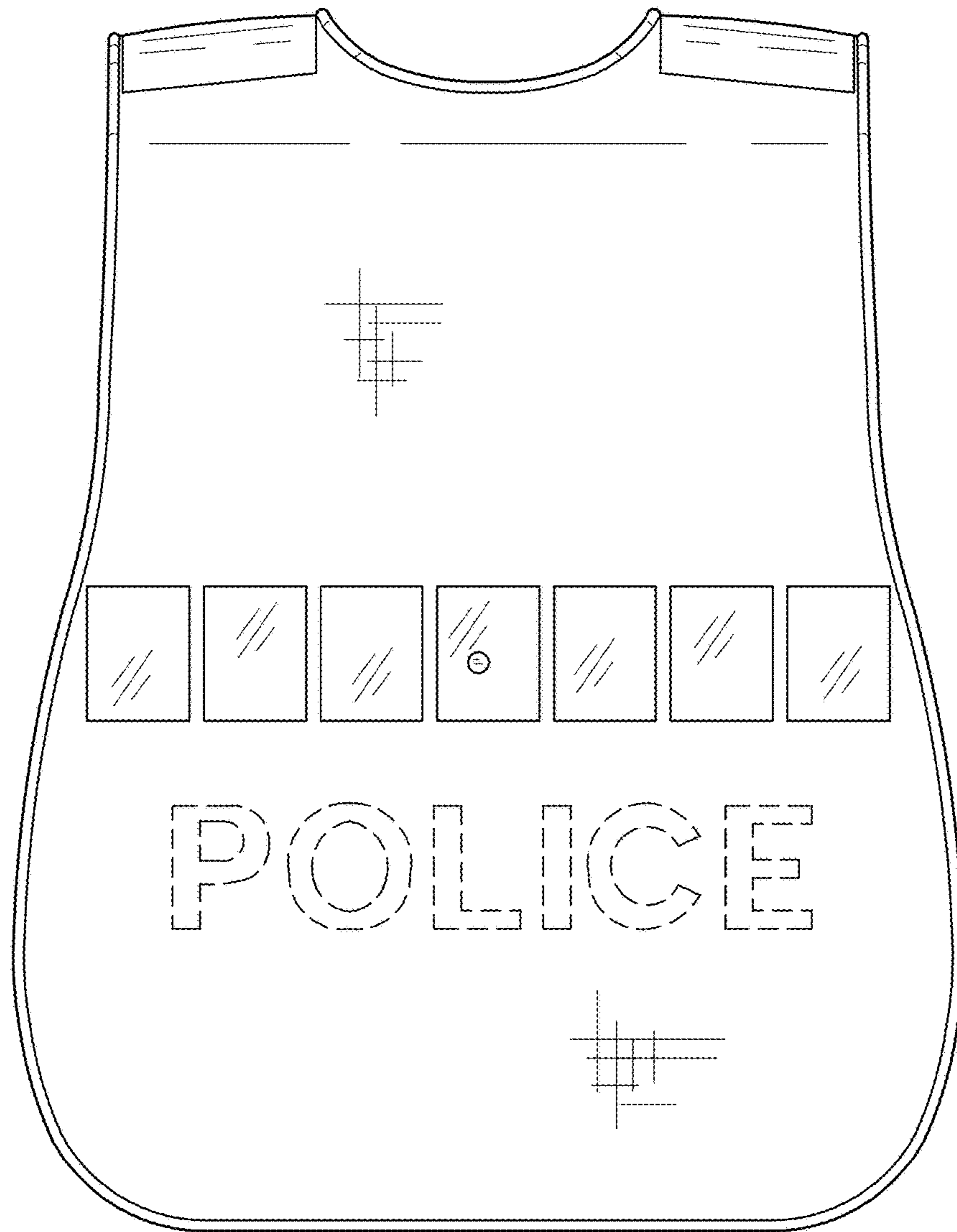


FIG. 8