



US00D850008S

(12) **United States Design Patent** (10) **Patent No.:** **US D850,008 S**  
**Piombino et al.** (45) **Date of Patent:** **\*\* May 28, 2019**

- (54) **ARCH COMPONENT FOR A SHOULDER PAD**
- (71) Applicant: **BSN SPORTS, LLC**, Farmers Branch, TX (US)
- (72) Inventors: **Don Piombino**, Farmers Branch, TX (US); **Bastien Jourde**, Montreal (CA)
- (73) Assignee: **BSN Sports, LLC**, Farmers Branch, TX (US)
- (\*\*) Term: **15 Years**
- (21) Appl. No.: **29/622,260**
- (22) Filed: **Oct. 16, 2017**

**Related U.S. Application Data**

- (62) Division of application No. 29/561,478, filed on Apr. 15, 2016, now Pat. No. Des. 804,728.
- (51) **LOC (11) Cl.** ..... **29-02**
- (52) **U.S. Cl.** ..... **D29/101.3; D29/122**  
USPC .....
- (58) **Field of Classification Search**  
USPC ..... D29/10, 11, 99, 100, 101.2, 101.3, 122;  
2/2, 2.5, 27, 44, 45, 69, 92, 102, 108,  
2/268, 326, 410, 411, 412, 413, 414, 455,  
2/456, 461, 462, 463, 464, 465, 468, 94;  
428/113, 911; 89/36.01, 36.02, 36.05;  
D24/64; 280/290, 808; 350/97, 98  
CPC ..... A41D 1/00  
See application file for complete search history.

(56) **References Cited**

**U.S. PATENT DOCUMENTS**

- 4,292,687 A \* 10/1981 Daverport, Jr. .... A63B 71/12  
2/462
- 4,320,537 A 3/1982 Mitchell

- 4,435,851 A \* 3/1984 Mitchell ..... A63B 71/12  
2/462
- D286,946 S 12/1986 Parks et al.
- 4,698,845 A \* 10/1987 Cosby ..... A63B 71/12  
2/462
- 4,989,265 A 2/1991 Nipper et al.
- 5,054,121 A 10/1991 Mitchell
- 5,107,542 A \* 4/1992 Zide ..... A63B 71/12  
2/44
- 5,530,966 A 7/1996 West
- 5,987,654 A 11/1999 Chartrand
- 8,015,621 B2 9/2011 Udelhofen
- 8,214,929 B2 \* 7/2012 Kraemer ..... A63B 71/12  
2/459
- D694,956 S \* 12/2013 Jourde ..... D29/101.3

\* cited by examiner

*Primary Examiner* — Randall H Gholson  
(74) *Attorney, Agent, or Firm* — Finnegan, Henderson, Farabow, Garrett & Dunner LLP

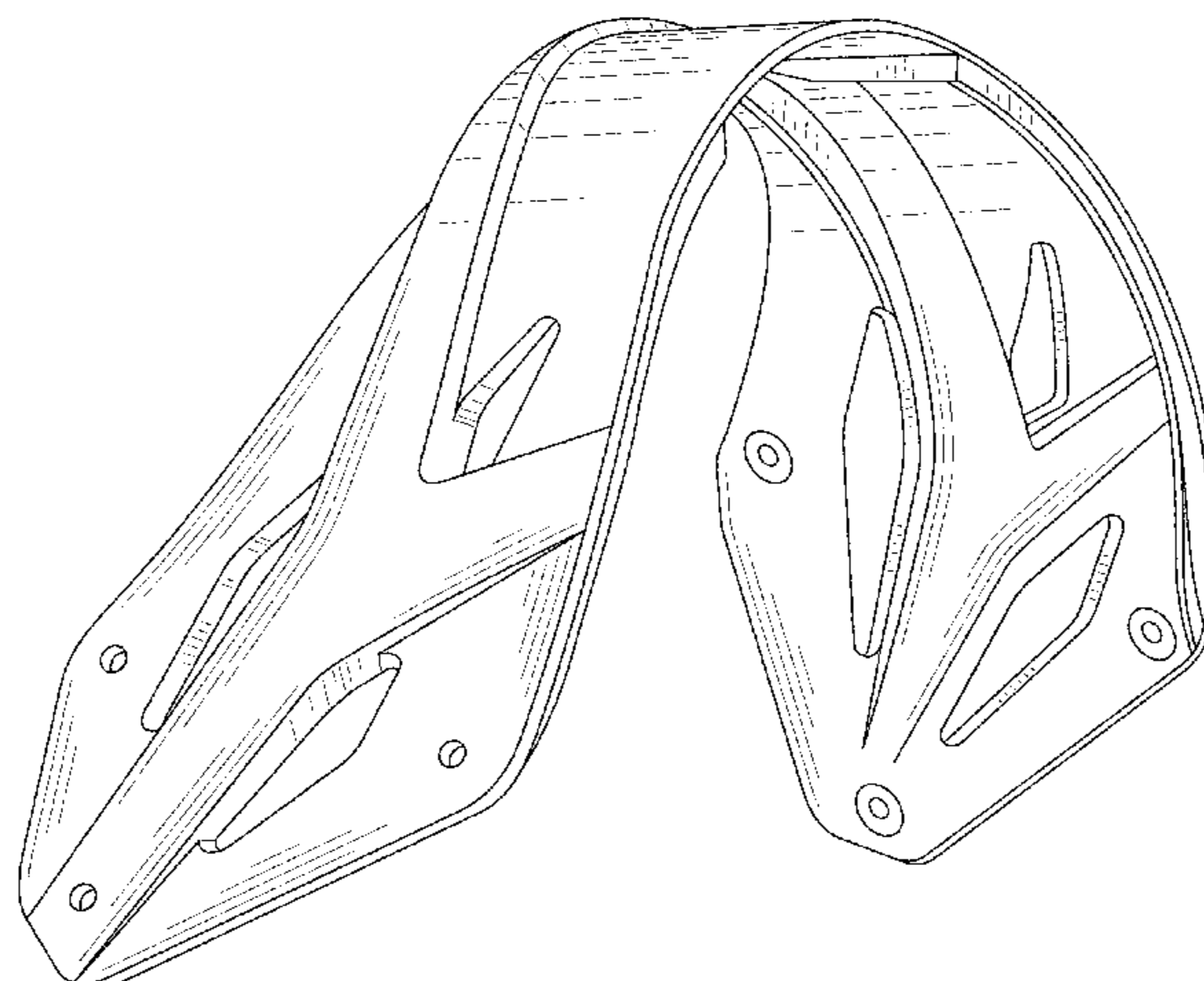
(57) **CLAIM**

The ornamental design for an arch component for a shoulder pad, as shown and described.

**DESCRIPTION**

FIG. 1 is an isometric view of an arch component for a shoulder pad, showing our new design;  
FIG. 2 is a bottom perspective view thereof;  
FIG. 3 is another bottom perspective view thereof;  
FIG. 4 is a side view thereof;  
FIG. 5 is another side view thereof;  
FIG. 6 is a top view thereof;  
FIG. 7 is another bottom perspective view thereof;  
FIG. 8 is a side isometric view thereof; and,  
FIG. 9 is a partial isometric view thereof, showing the arch component for a shoulder pad, in use in a shoulder pad.  
The broken lines showing a shoulder pad are included for the purpose of illustrating use and environment and form no part of the claimed design.

**1 Claim, 9 Drawing Sheets**



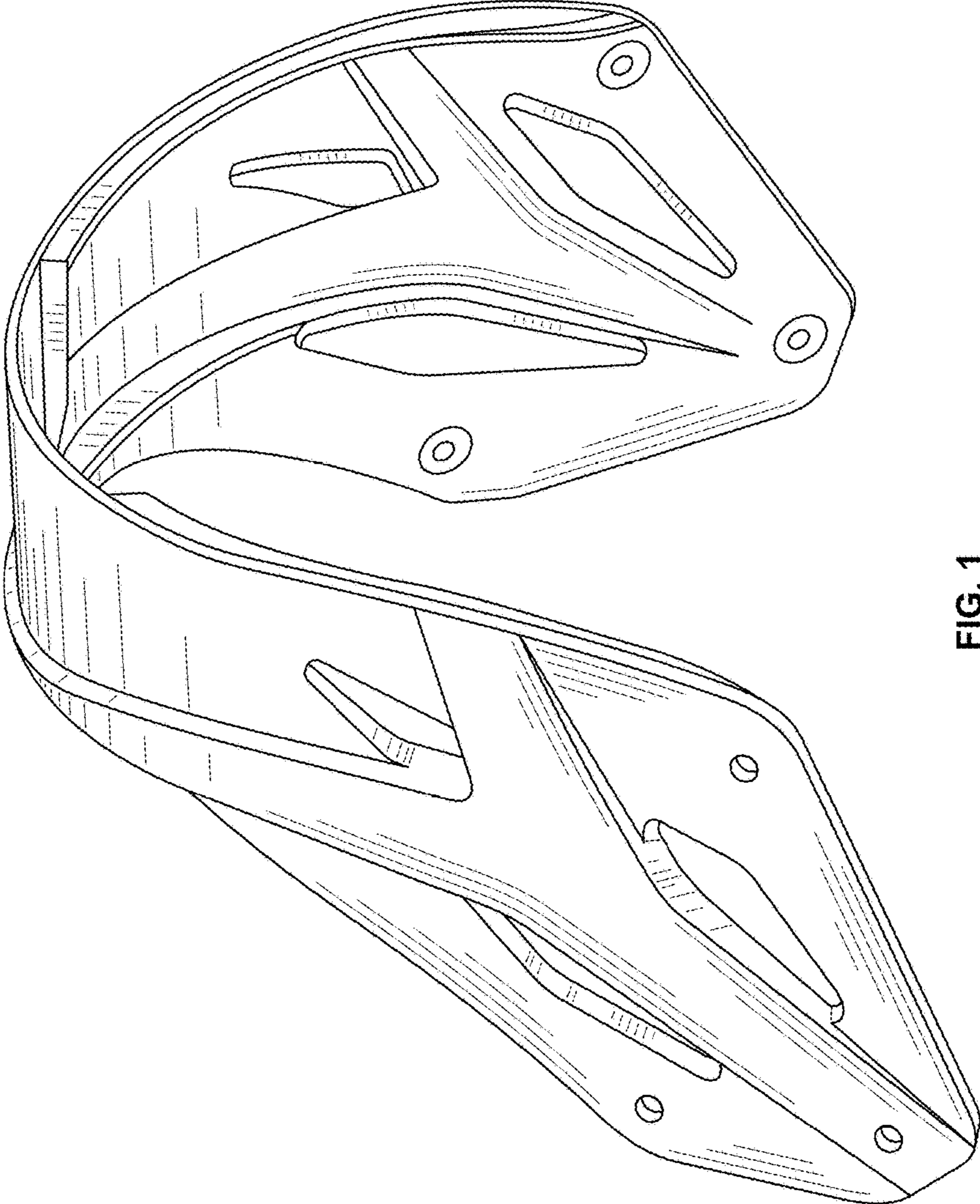


FIG. 1

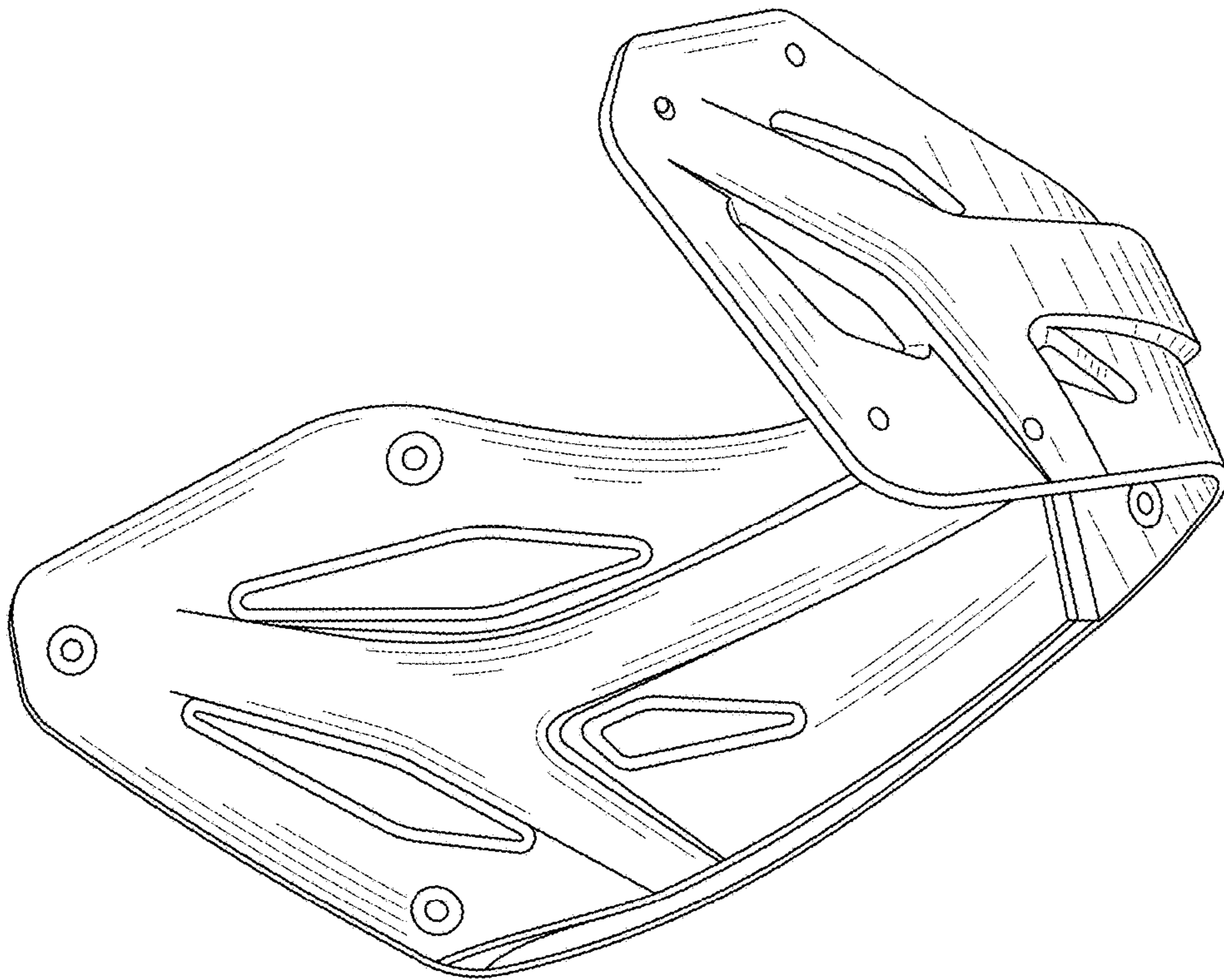


FIG. 2

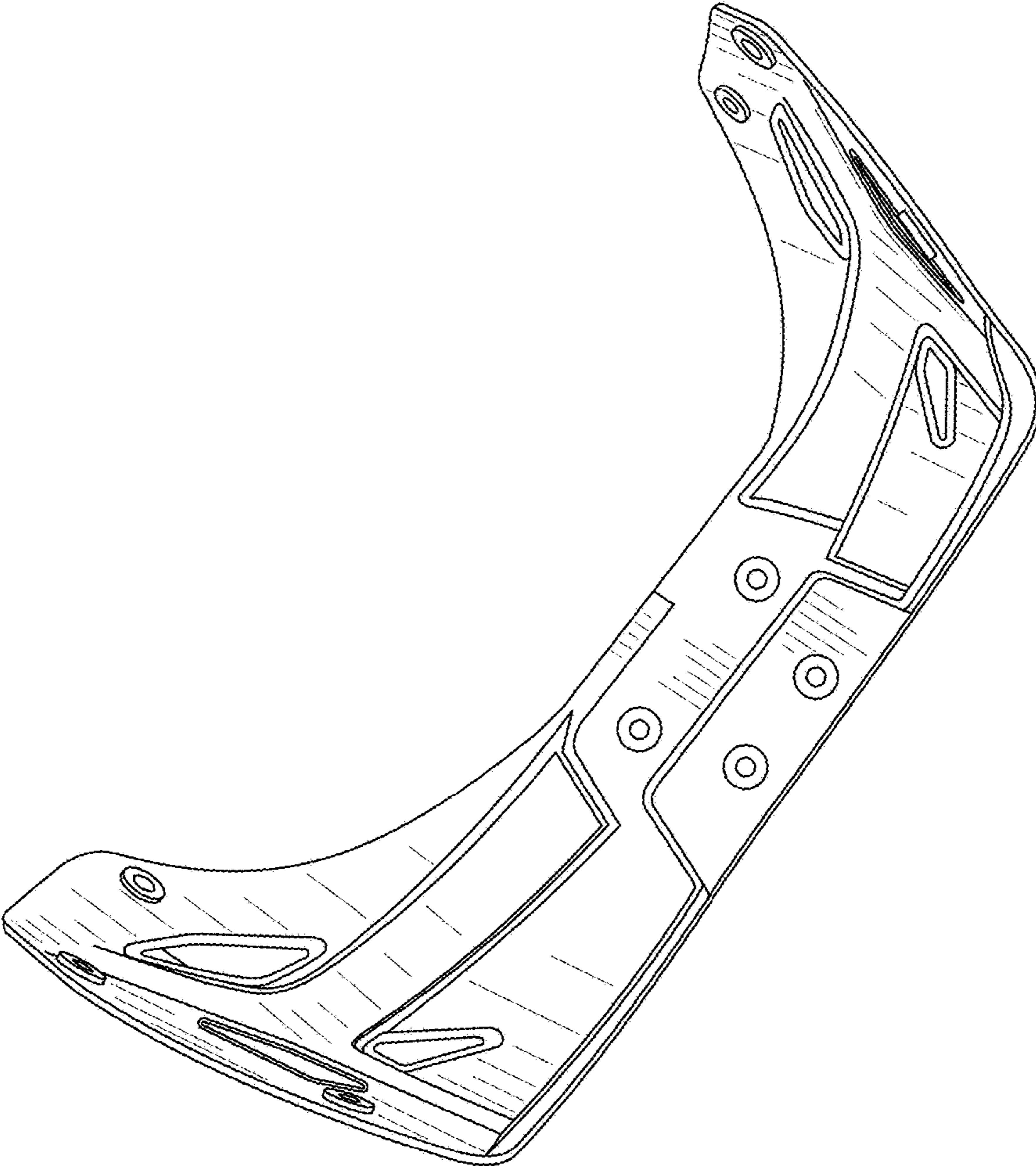


FIG. 3

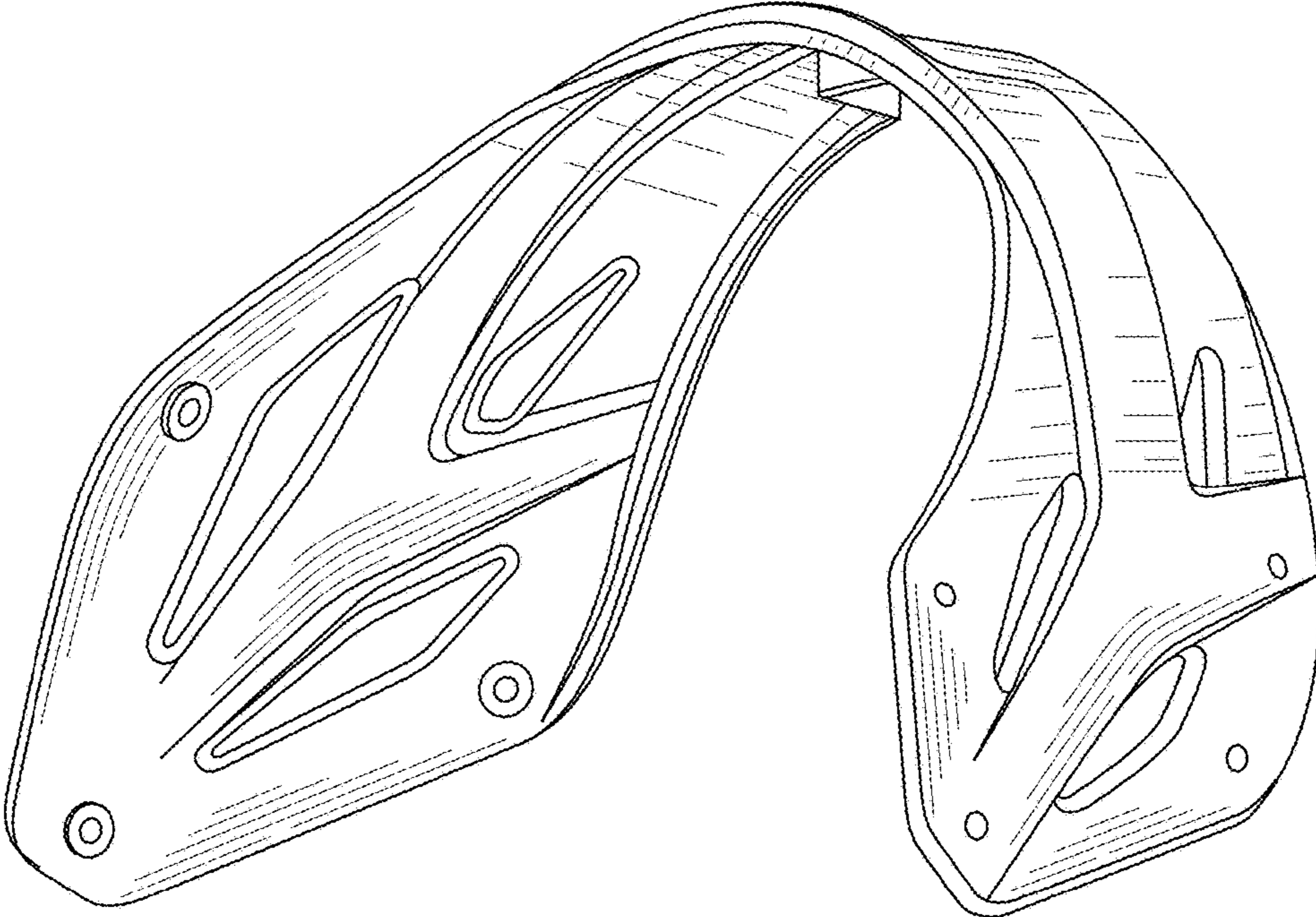


FIG. 4

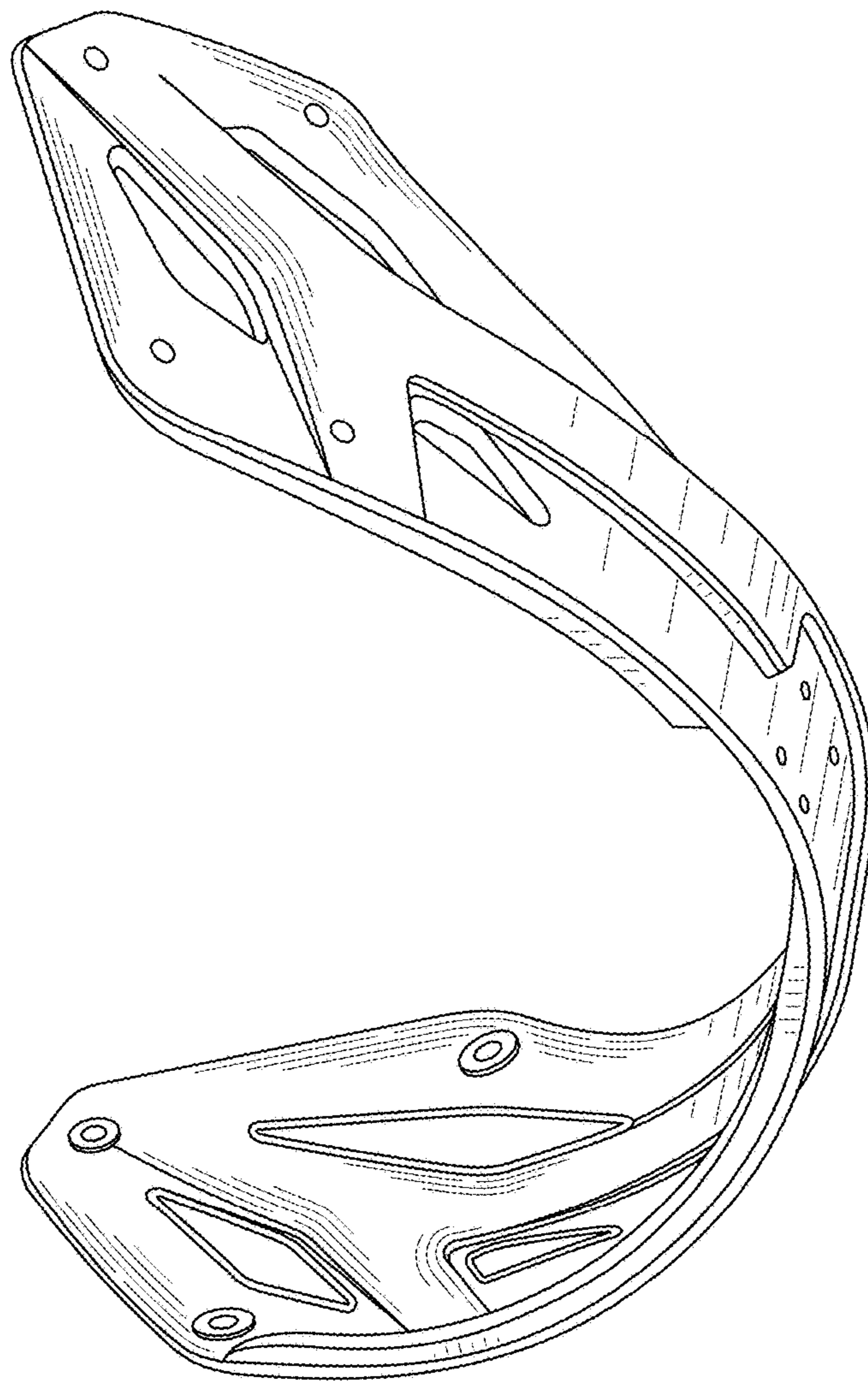


FIG. 5

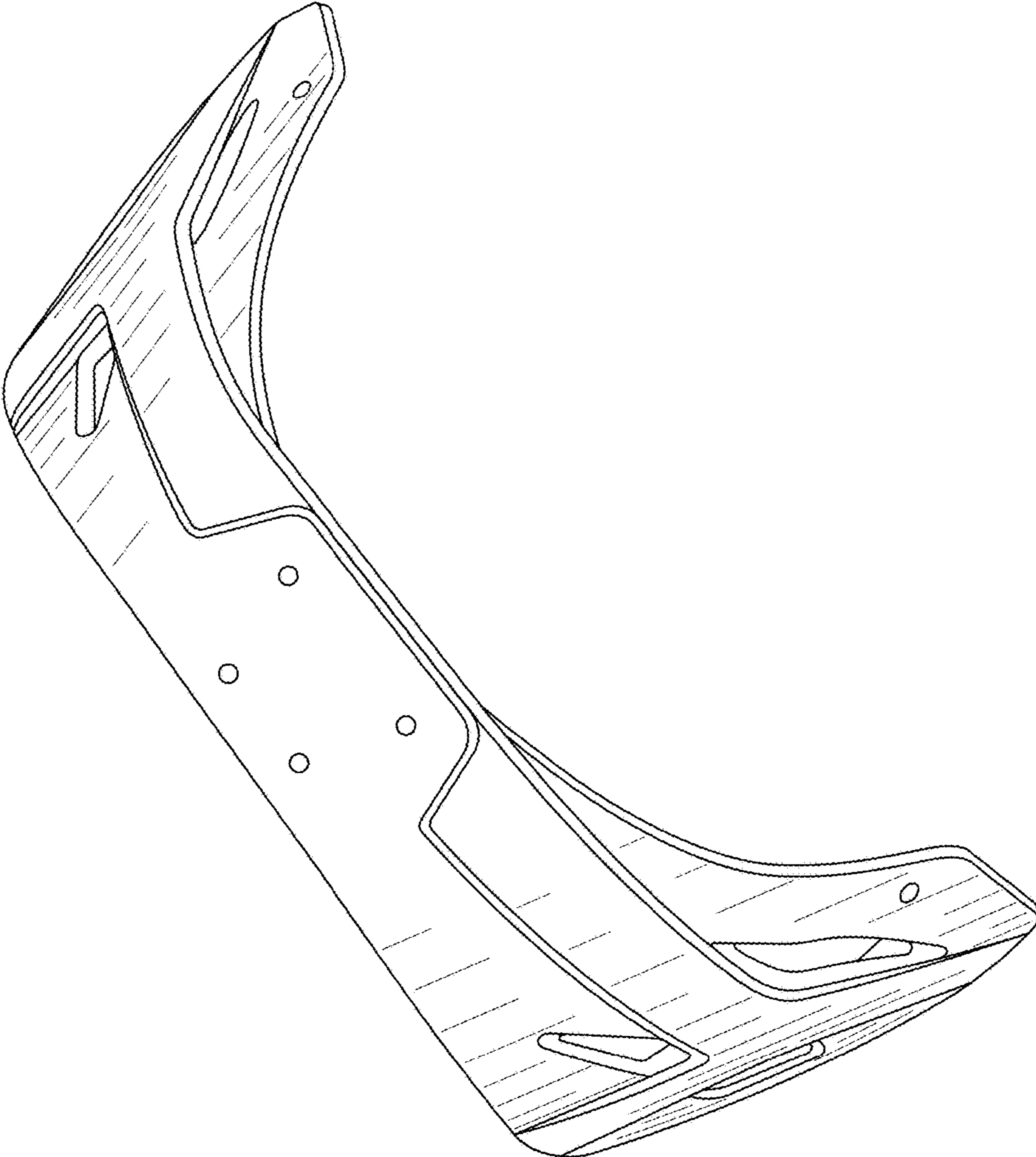


FIG. 6

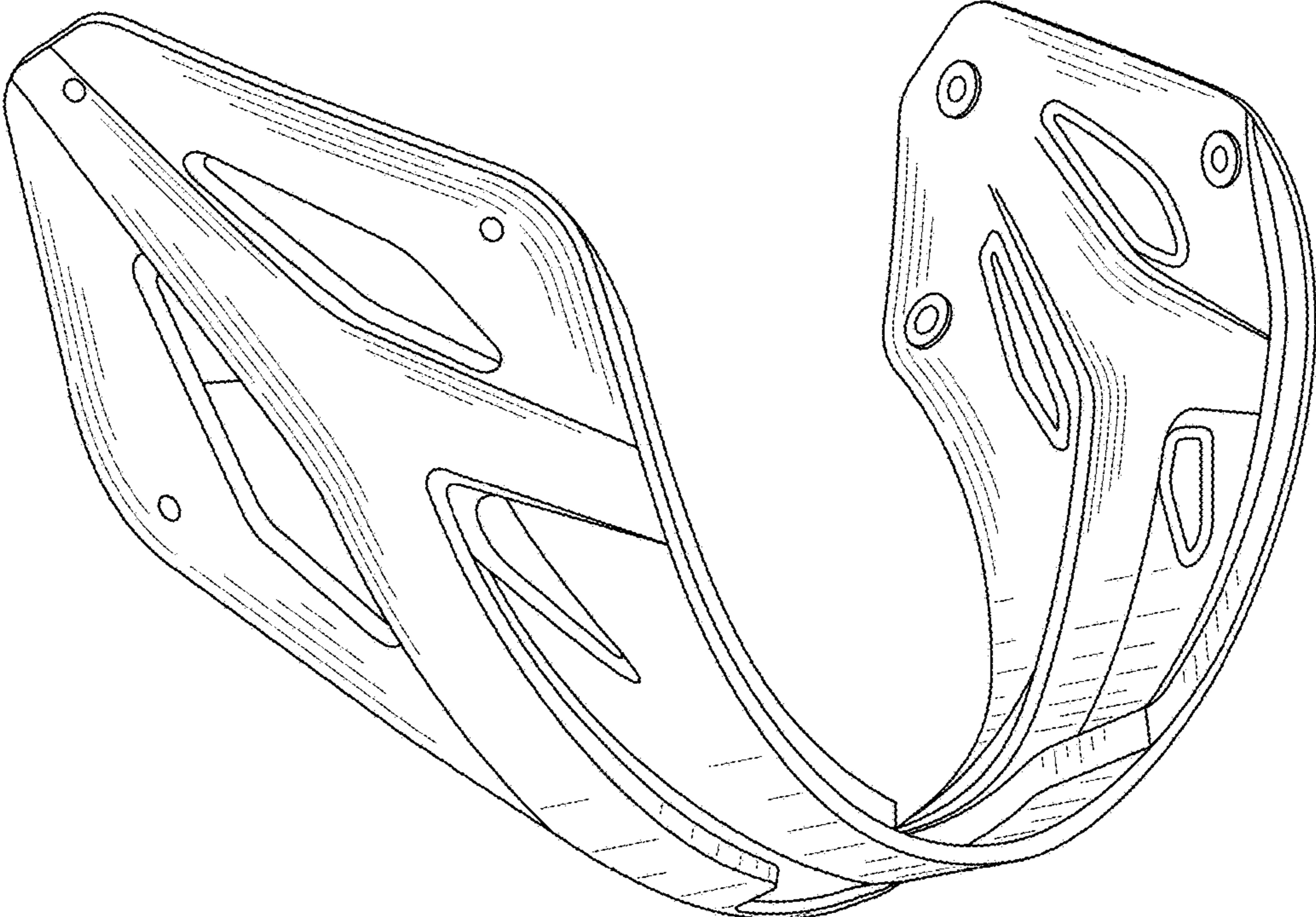


FIG. 7



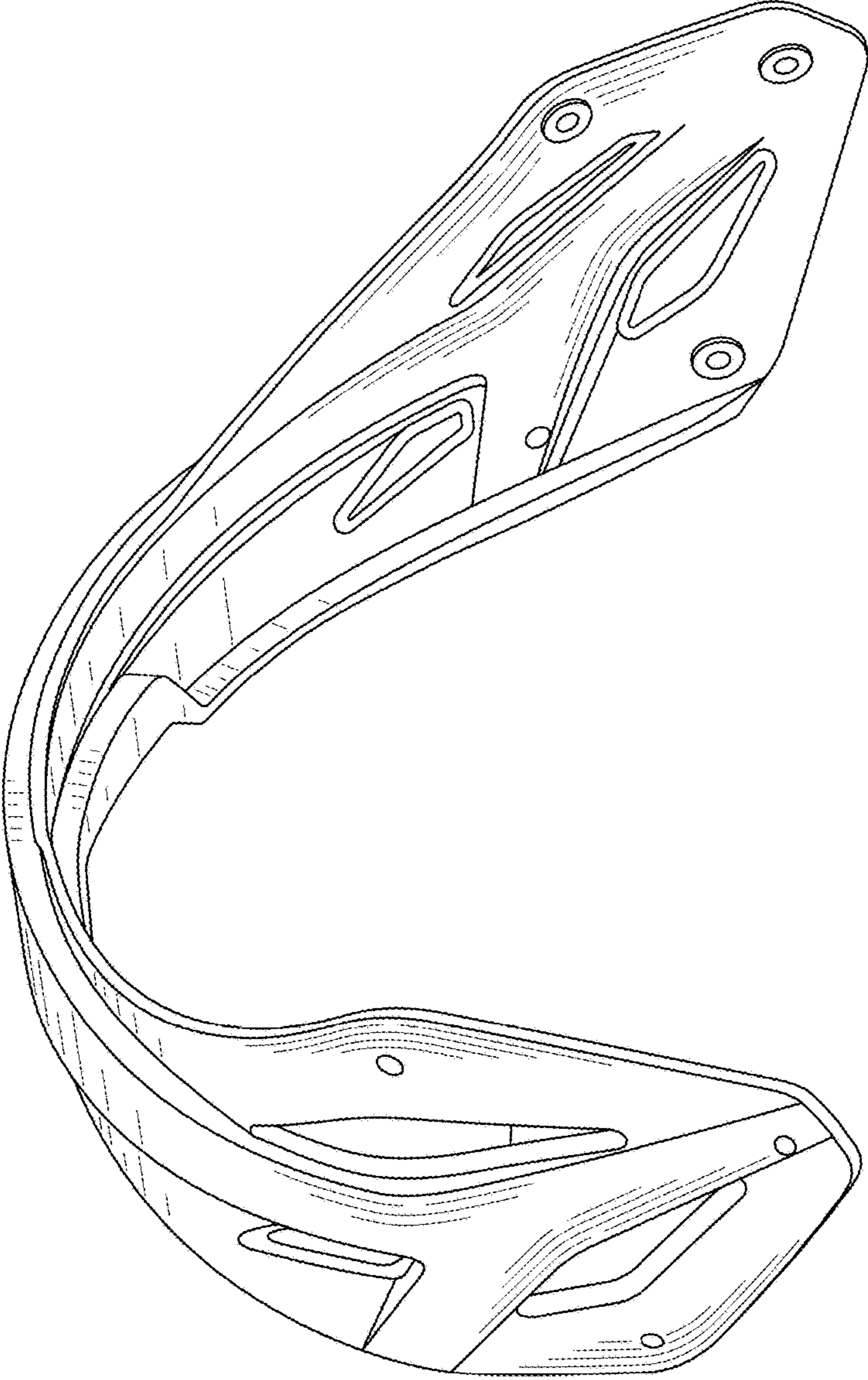


FIG. 8

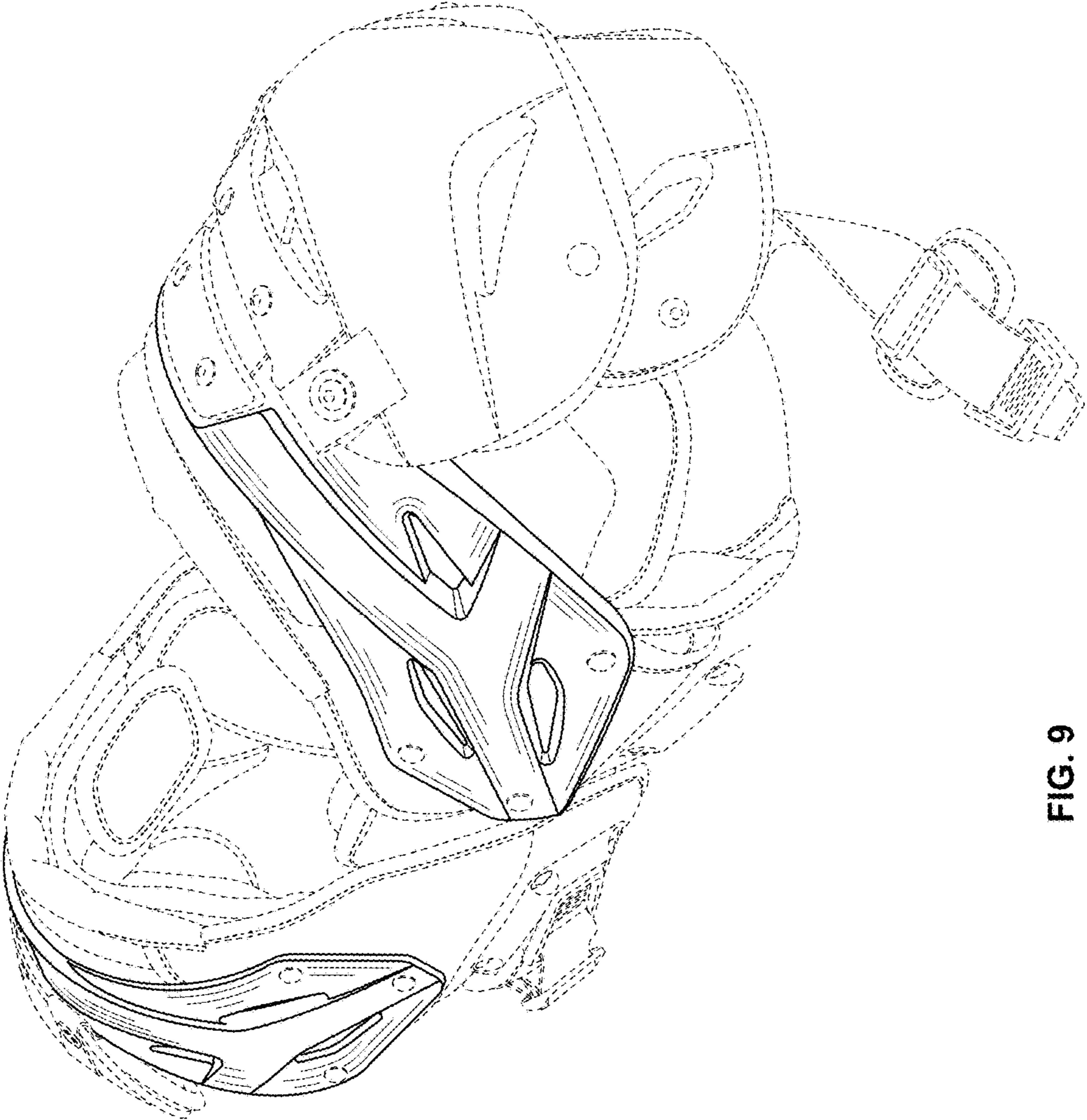


FIG. 9