



US00D850005S

(12) **United States Design Patent** (10) **Patent No.:** **US D850,005 S**
Silva (45) **Date of Patent:** **** May 28, 2019**

(54) **CONTAINER**

(71) Applicant: **Rea.deeming Beauty, Inc.**, Bethlehem, PA (US)

(72) Inventor: **Rea Ann Silva**, Bethlehem, PA (US)

(73) Assignee: **REA.DEEMING BEAUTY, INC.**, Bethlehem, PA (US)

(**) Term: **15 Years**

(21) Appl. No.: **29/617,608**

(22) Filed: **Sep. 14, 2017**

Related U.S. Application Data

(62) Division of application No. 29/556,321, filed on Feb. 29, 2016, now Pat. No. Des. 800,966.

(51) **LOC (11) Cl.** **28-03**

(52) **U.S. Cl.**
USPC **D28/79**

(58) **Field of Classification Search**
USPC D28/64.1, 76-84; D9/503-505, 722, 529, D9/600, 643; D3/295; D19/103, 106
CPC A45D 33/006; A45D 33/003; A45D 33/04-33/33; A45D 33/025; A45D 33/02; A45D 33/20; A45D 33/22; A45D 33/24; A45D 33/26; A45D 33/28; A45D 33/18; A45D 40/22; A45D 40/222; A45D 40/24; A45D 42/02
See application file for complete search history.

(56) **References Cited**

U.S. PATENT DOCUMENTS

1,743,611 A 1/1930 Larson
2,537,534 A * 1/1951 Landry A45D 33/28
132/297
3,188,157 A 6/1965 Rand
D299,561 S 1/1989 Bakic
D302,872 S * 8/1989 Bakic D28/78
D303,163 S 8/1989 Bakic

D303,581 S * 9/1989 Bakic D28/78
D339,882 S 9/1993 Chevassus
D355,486 S 2/1995 Ikeda
D424,751 S 5/2000 Kudo et al.
D424,753 S 5/2000 Grossnickle et al.
D482,412 S * 11/2003 Manville D21/386

(Continued)

OTHER PUBLICATIONS

How to use the beautyblender liner.designer makeup tool, xoVain youtube.com, published on Feb. 25, 2016, retrieved on Aug. 3, 2018, retrieved from the Internet URL: <https://www.youtube.com/watch?v=aArDb5x0y1Y>.*

Primary Examiner — Jennifer Rivard

Assistant Examiner — Alison M Ofstun

(74) *Attorney, Agent, or Firm* — Brooks Acordia IP Law, PC; Pejman Yedidsion

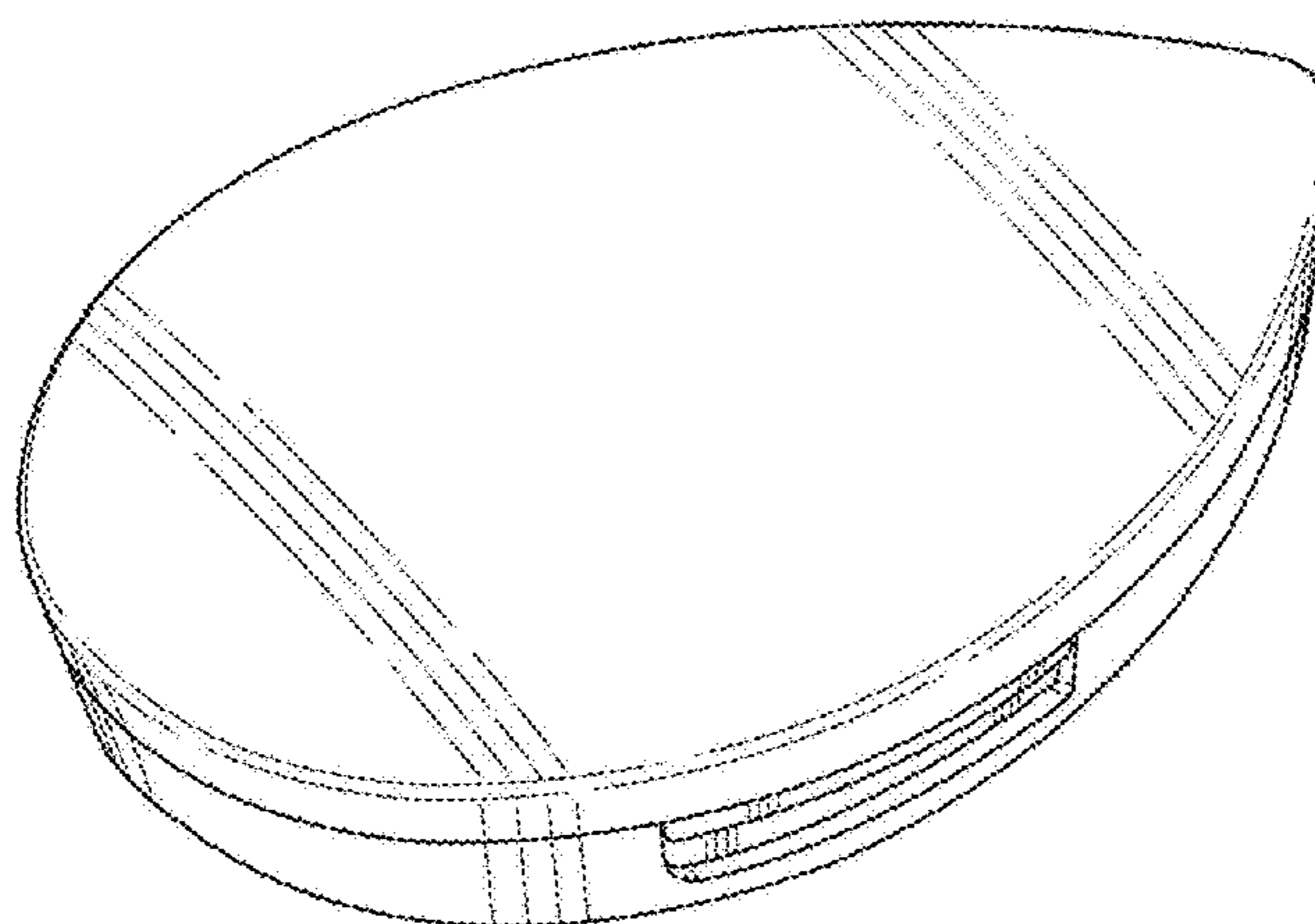
(57) **CLAIM**

The ornamental design for a container, as shown and described.

DESCRIPTION

FIG. 1 is a front elevational view of a container showing my new design;
FIG. 2 is a rear elevational view thereof;
FIG. 3 is a right side elevational view thereof;
FIG. 4 is a left side elevational view thereof;
FIG. 5 is a top plan view thereof;
FIG. 6 is a bottom plan view thereof;
FIG. 7 is a perspective view thereof;
FIG. 8 is a rear elevational view thereof, shown in a first position of use;
FIG. 9 is a front elevational view thereof; and,
FIG. 10 is a perspective view thereof.
The broken lines in the drawings represent portions of the article which form no part of the claimed design and boundaries of the claimed design.

1 Claim, 10 Drawing Sheets



(56)

References Cited

U.S. PATENT DOCUMENTS

D517,733 S * 3/2006 Tsai D28/78
D599,958 S 9/2009 Washington
8,778,430 B2 7/2014 Dietrich
D713,095 S 9/2014 Bishop et al.
D735,947 S 8/2015 Reyes et al.
D736,312 S * 8/2015 Elbaum D18/50
D759,897 S * 6/2016 Eberlein D28/82
D800,961 S * 10/2017 Silva D28/7
D800,966 S * 10/2017 Silva D28/79
D814,117 S * 3/2018 Groping D28/78
2007/0017915 A1 1/2007 Weder et al.
2017/0143102 A1* 5/2017 Silva A45D 42/02

* cited by examiner

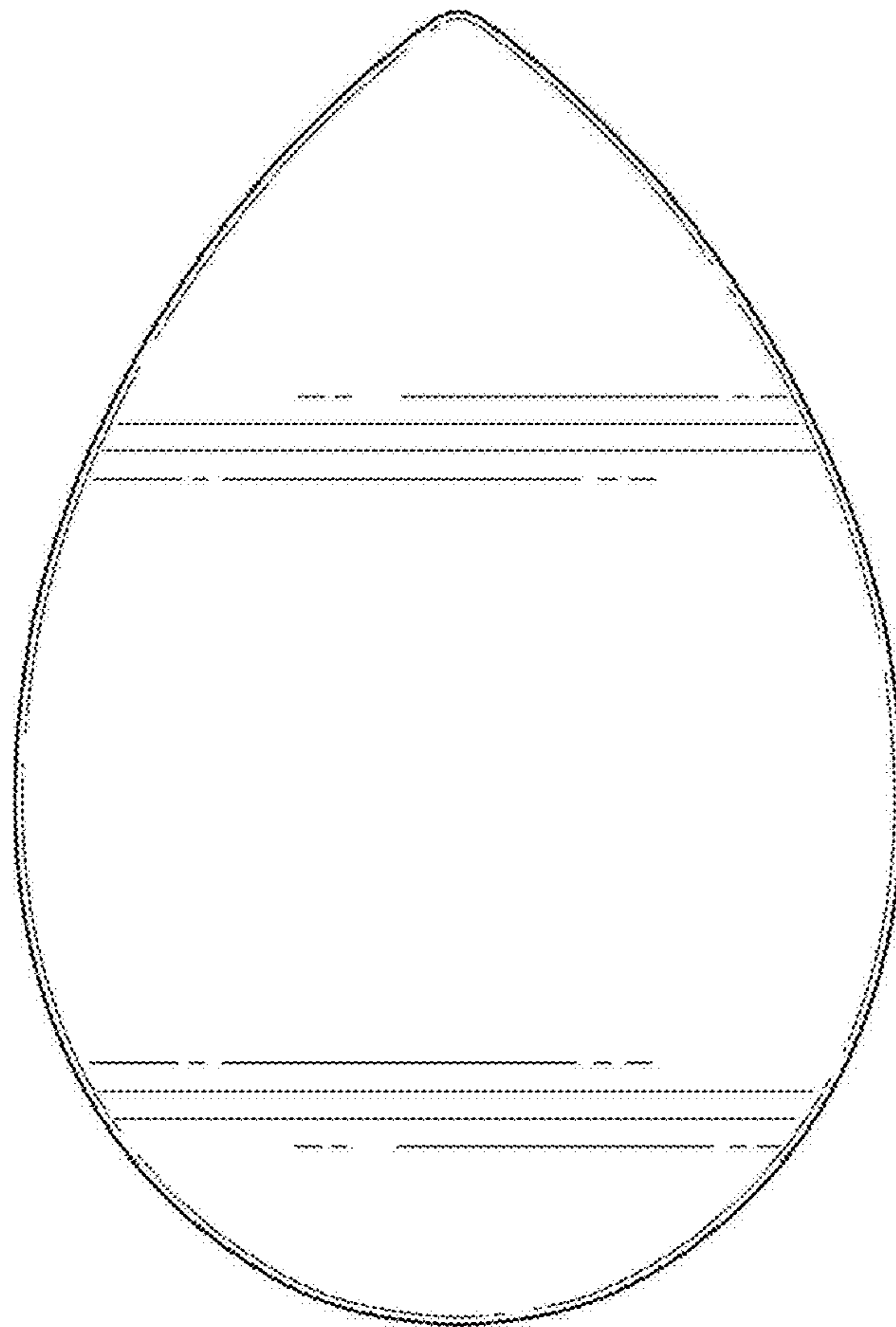


FIG. 1

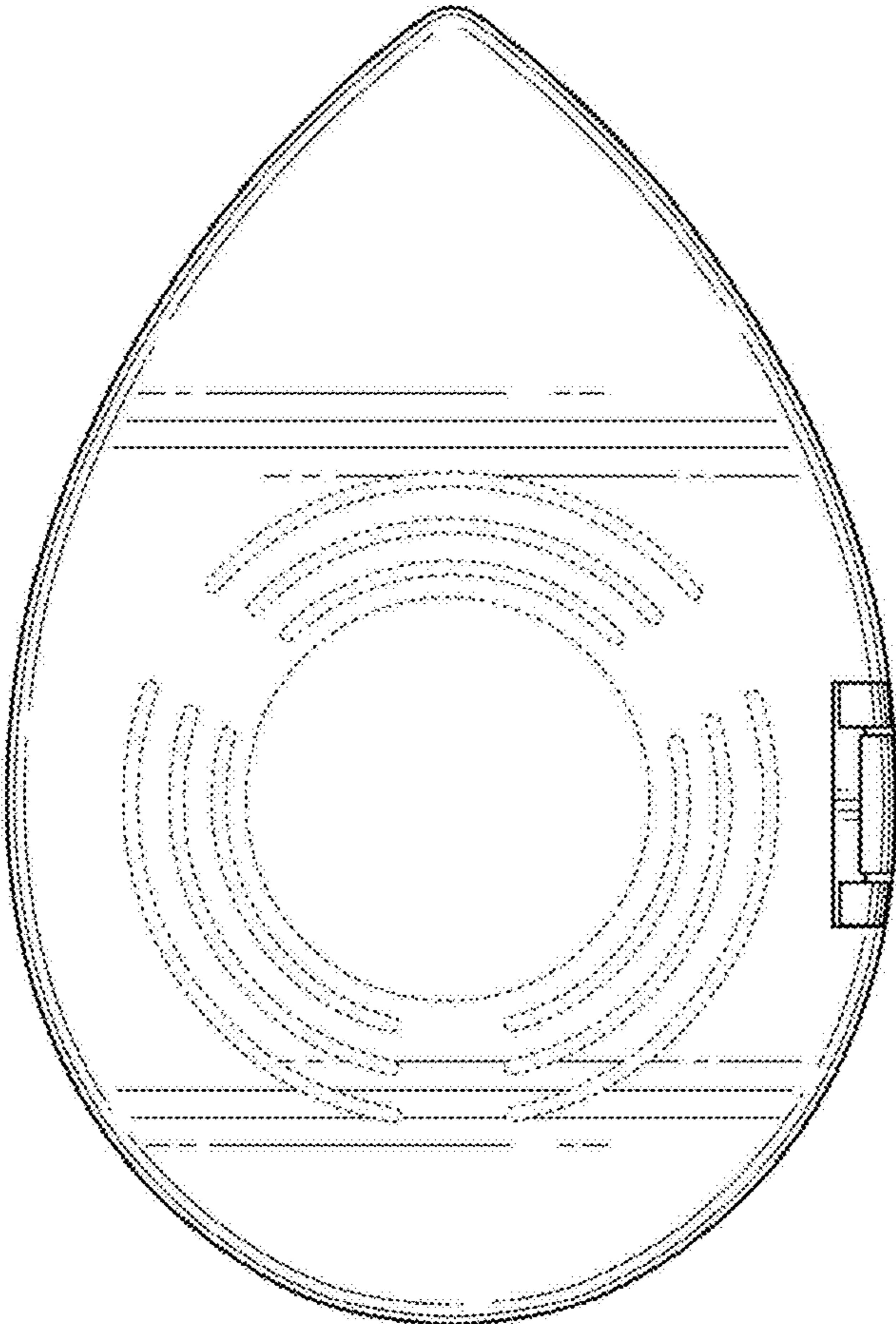


FIG. 2

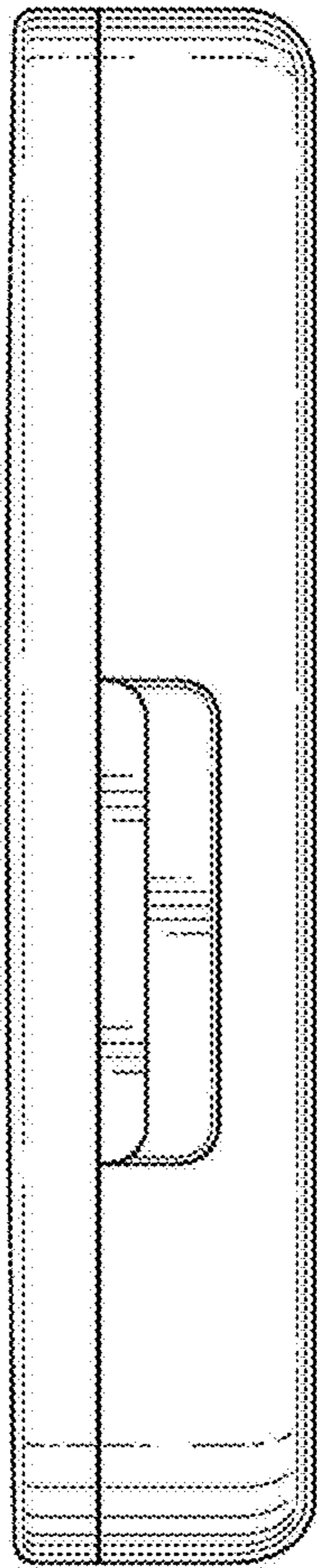


FIG. 3

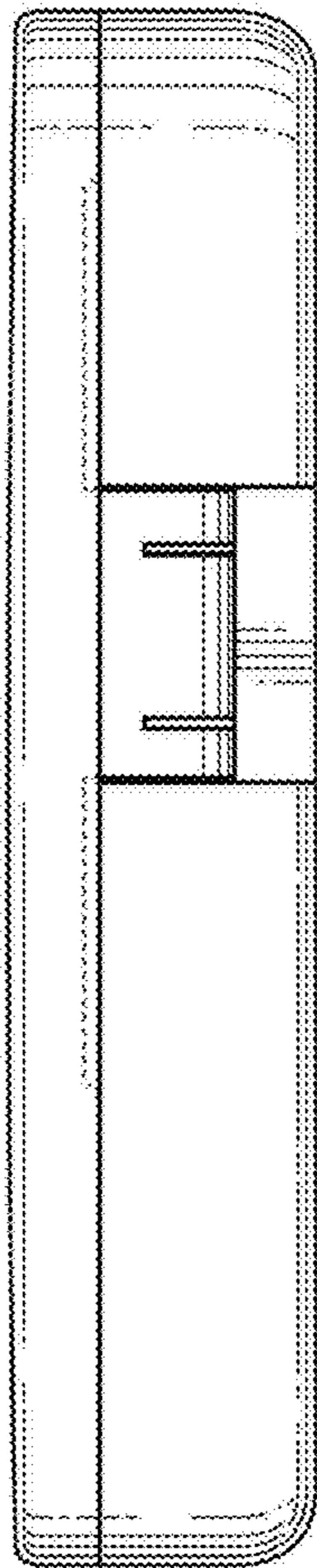


FIG. 4

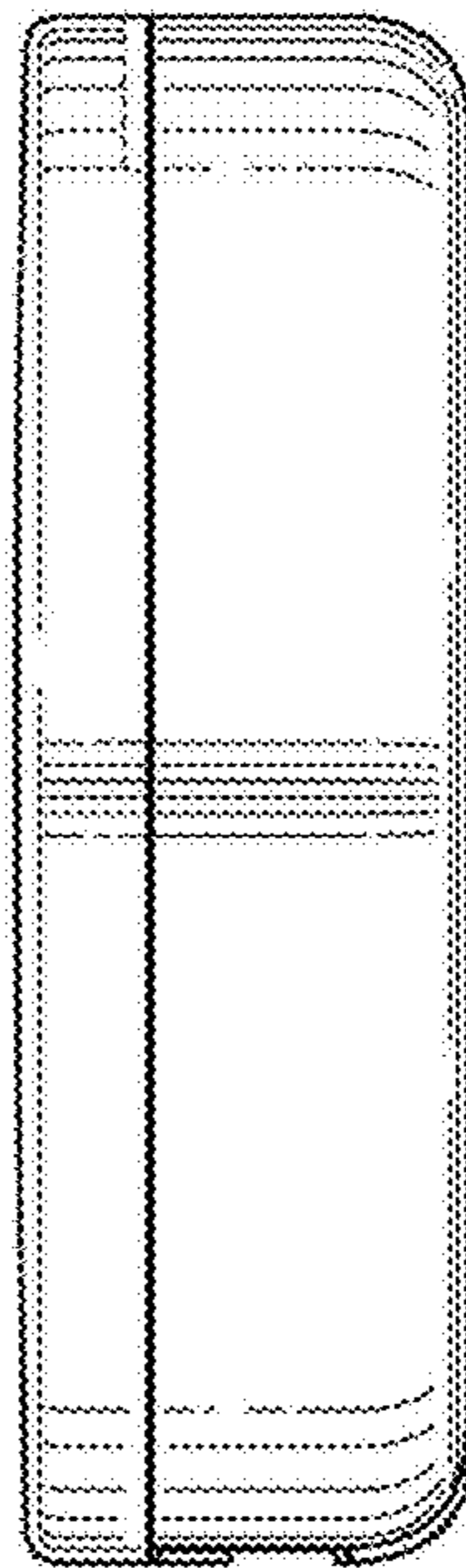


FIG. 5

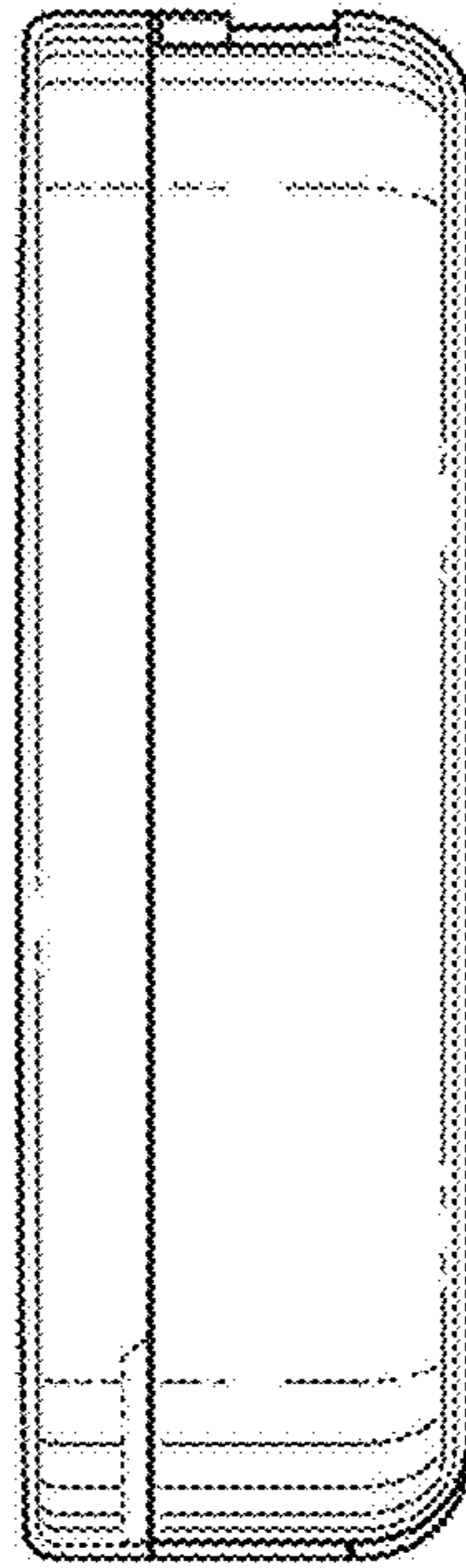


FIG. 6

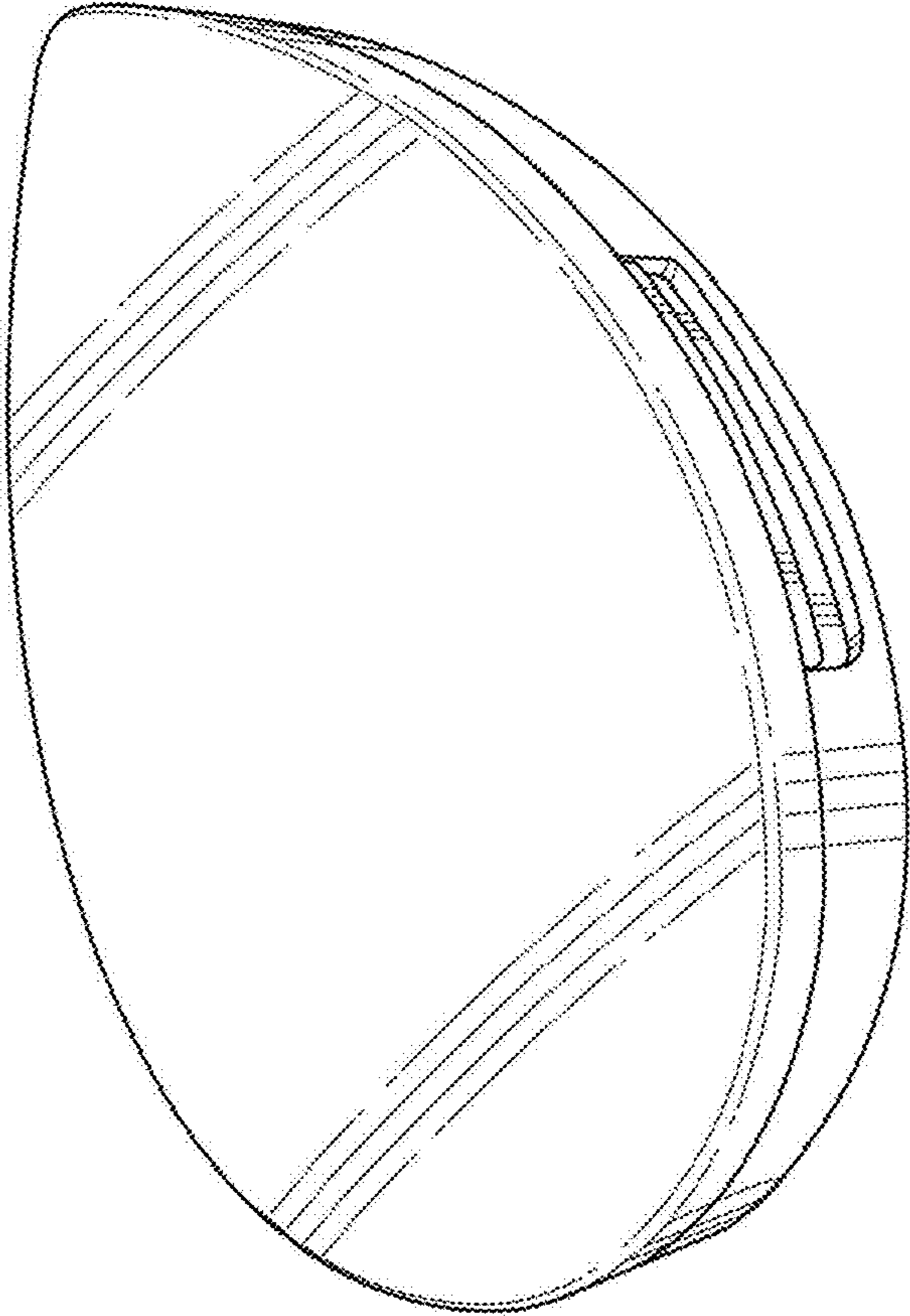


FIG. 7

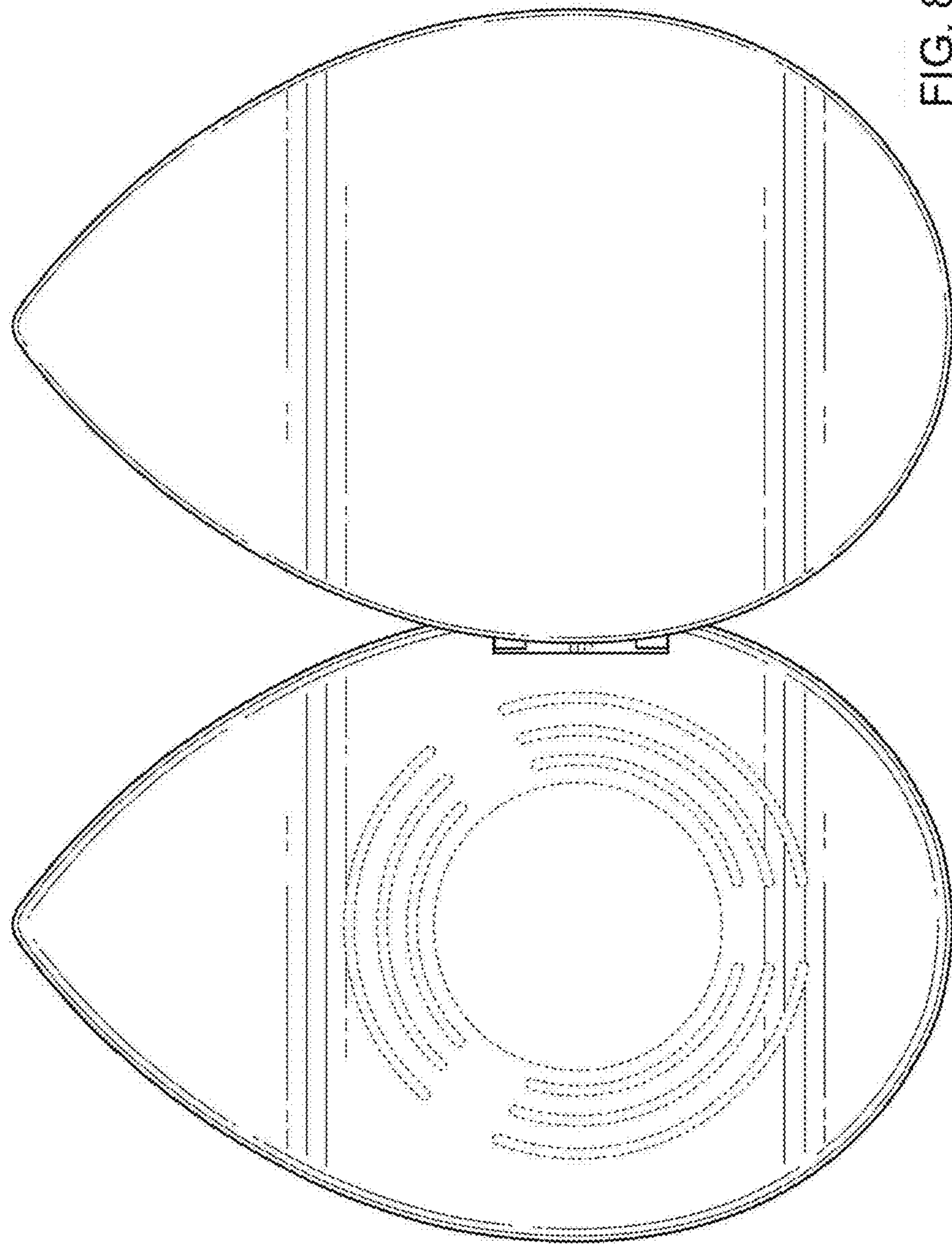


FIG. 8

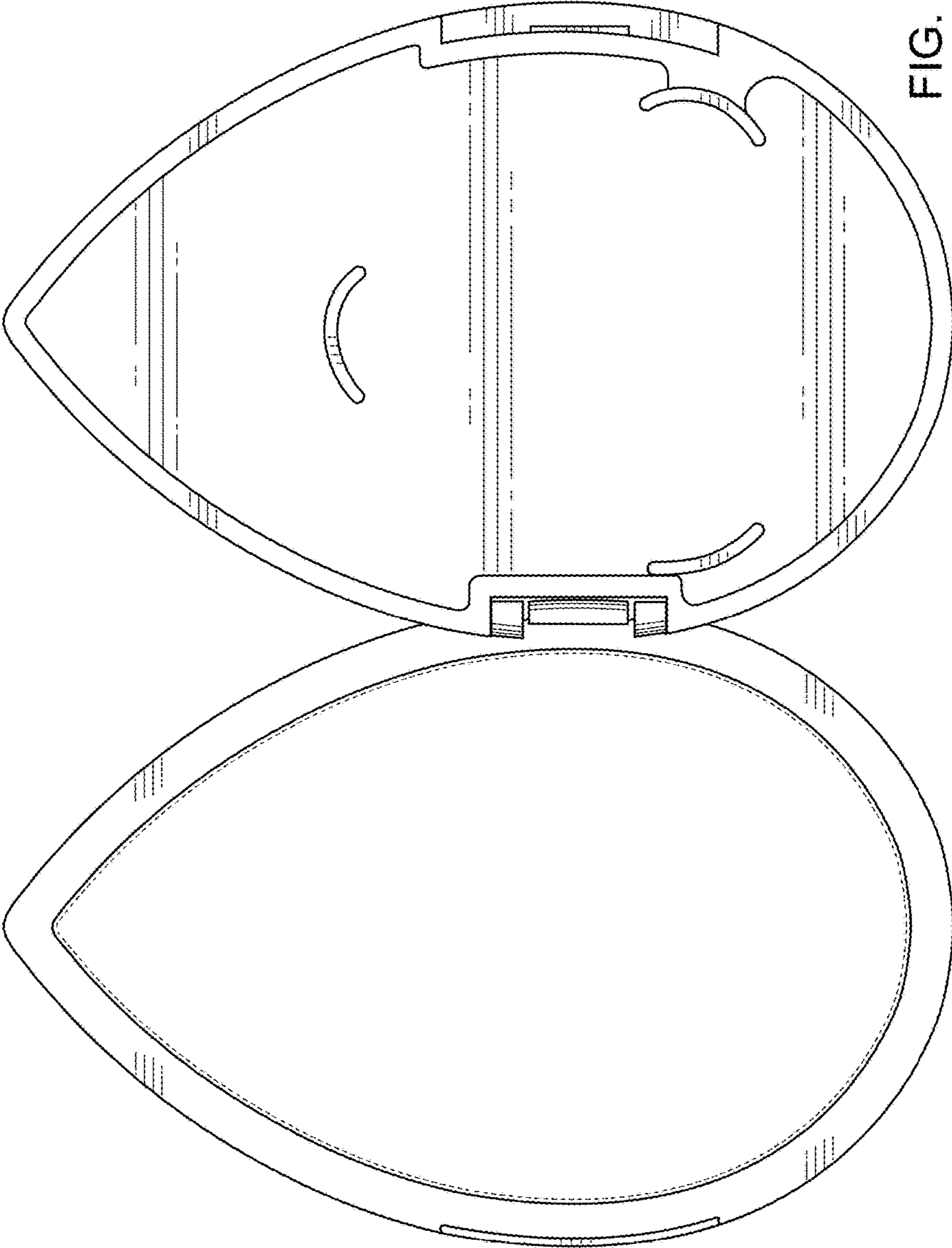


FIG. 9

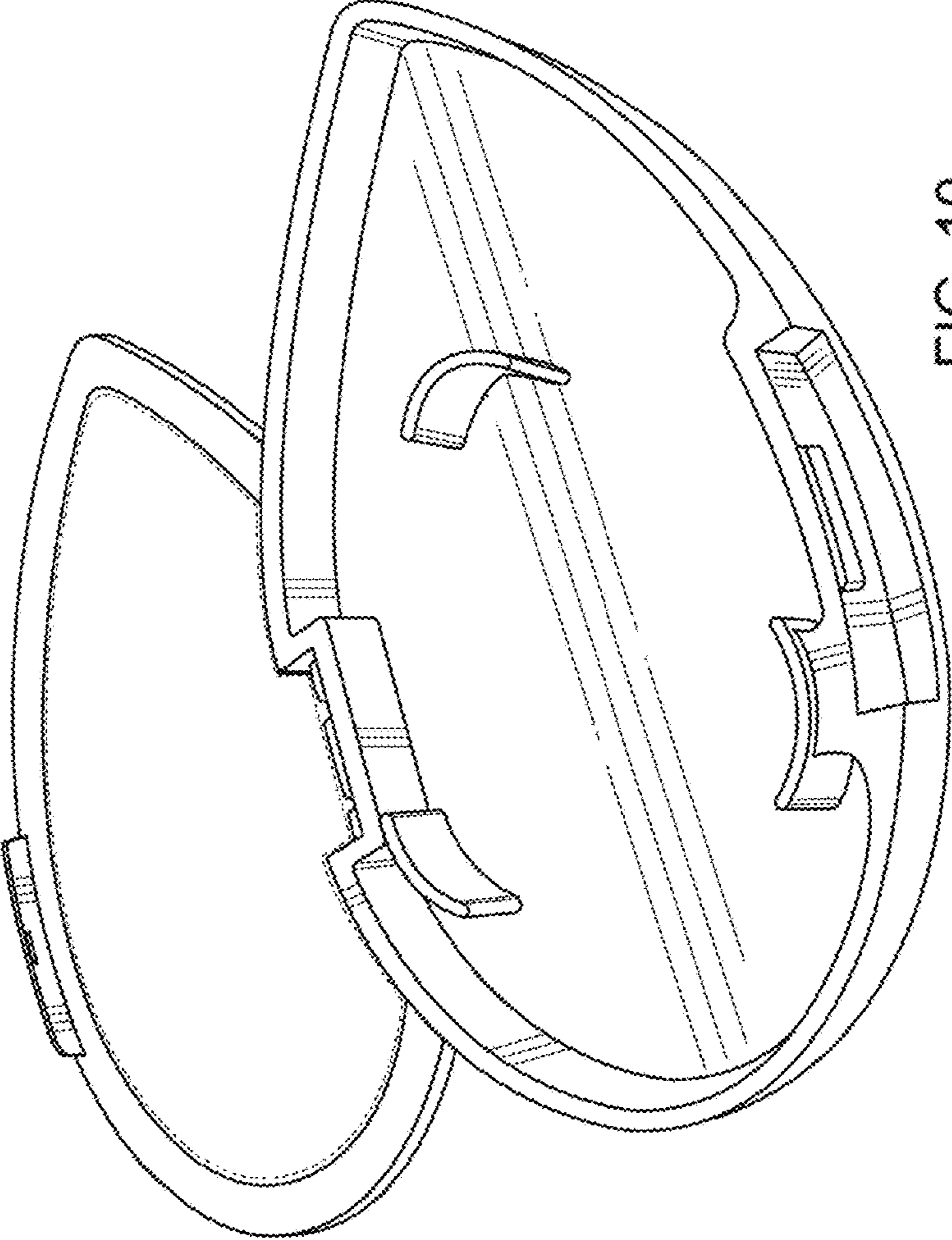


FIG. 10