



US00D850002S

(12) **United States Design Patent** (10) **Patent No.:** **US D850,002 S**  
**Bates et al.** (45) **Date of Patent:** **\*\* \*May 28, 2019**

(54) **HAIR STRAIGHTENER**

(71) Applicant: **Dyson Technology Limited**, Wiltshire (GB)

(72) Inventors: **Adam James Bates**, Oxford (GB); **Alexander Stuart Knox**, Swindon (GB); **Andrea Ee-Va Lim**, Bristol (GB); **Robert Mark Brett Coulton**, Bristol (GB); **Frederick Stuart Grotrian**, Swindon (GB); **Oliver Andrew Charles Whittaker**, Fife (GB); **Peter David Gammack**, Gloucester (GB); **Samuel James Czerpak**, Reading (GB); **Stephen Benjamin Courtney**, Gloucester (GB); **Tom Vallance Hamilton Crawford**, Bristol (GB)

(73) Assignee: **Dyson Technology Limited**, Malmesbury, Wiltshire (GB)

(\*) Notice: This patent is subject to a terminal disclaimer.

(\*\*) Term: **15 Years**

(21) Appl. No.: **29/625,478**

(22) Filed: **Nov. 9, 2017**

(30) **Foreign Application Priority Data**

May 12, 2017 (EM) ..... 003999002-0001

(51) **LOC (11) Cl.** ..... **28-03**

(52) **U.S. Cl.**  
USPC ..... **D28/35**

(58) **Field of Classification Search**

USPC ..... D28/35-38  
CPC ... A45D 2/12; A45D 2/14; A45D 2/36-2/367;  
A45D 2/001-2/002; A45D 2/06; A45D  
2/40; A45D 1/00; A45D 1/02-1/04; A45D  
1/06; A45D 1/10; A45D 1/16; A45D 1/28  
See application file for complete search history.

(56) **References Cited**

U.S. PATENT DOCUMENTS

D575,453 S \* 8/2008 Overend ..... D28/35  
D609,401 S \* 2/2010 Yang ..... D28/35  
D618,395 S \* 6/2010 Mau ..... D28/35  
8,232,505 B2 \* 7/2012 Hottenrott ..... A45D 1/06  
132/232  
D682,467 S \* 5/2013 Kim ..... D28/35  
(Continued)

OTHER PUBLICATIONS

www.amazon.com, Furiden Professional Hair Straightener, reviewed as early as Nov. 2017, 1 page (Year: 2017).\*

*Primary Examiner* — Jennifer Rivard  
(74) *Attorney, Agent, or Firm* — Morrison & Foerster LLP

(57) **CLAIM**

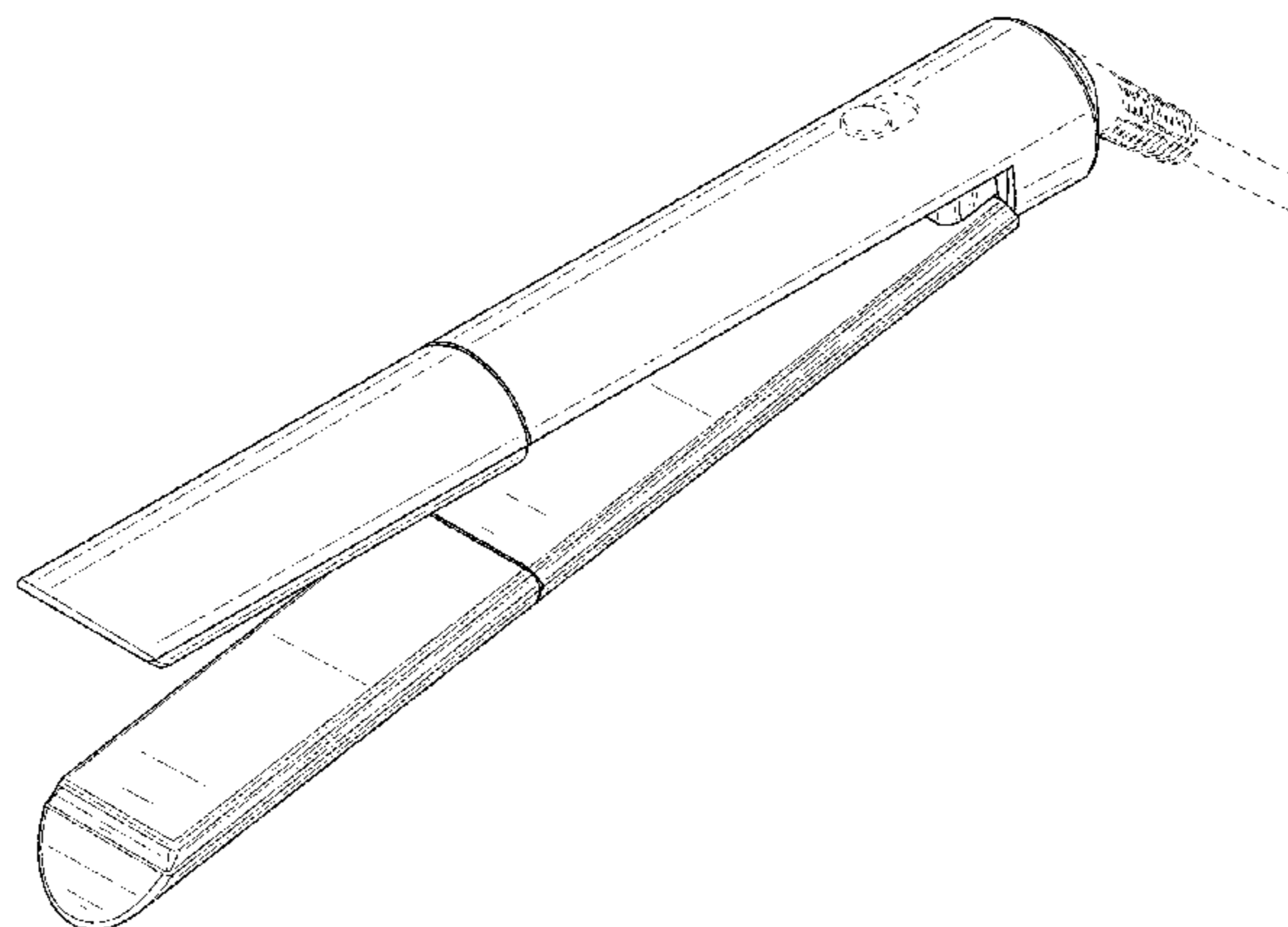
We claim the ornamental design for a hair straightener, as shown and described.

**DESCRIPTION**

FIG. 1 is a front perspective view of a hair straightener showing our new design in an open position; FIG. 2 is a rear perspective view thereof showing the hair straightener in a closed position; FIG. 3 is a side view thereof showing the hair straightener in the open position; FIG. 4 is a side view of the opposite side of FIG. 3 showing the hair straightener in the closed position; FIG. 5 is a top view thereof; FIG. 6 is a bottom view thereof; and, FIG. 7 is a front view thereof showing the hair straightener in the closed position.

The broken lines shown in the drawings illustrate portions of a hair straightener that form no part of the claimed design.

**1 Claim, 7 Drawing Sheets**



(56)

**References Cited**

U.S. PATENT DOCUMENTS

D719,296 S \* 12/2014 Brady ..... D28/35  
D780,374 S \* 2/2017 Yu ..... D28/35  
D798,503 S \* 9/2017 Ceva ..... D28/35  
D825,848 S \* 8/2018 Brady ..... D28/35  
2017/0164707 A1\* 6/2017 Cowdry ..... A45D 2/001

\* cited by examiner

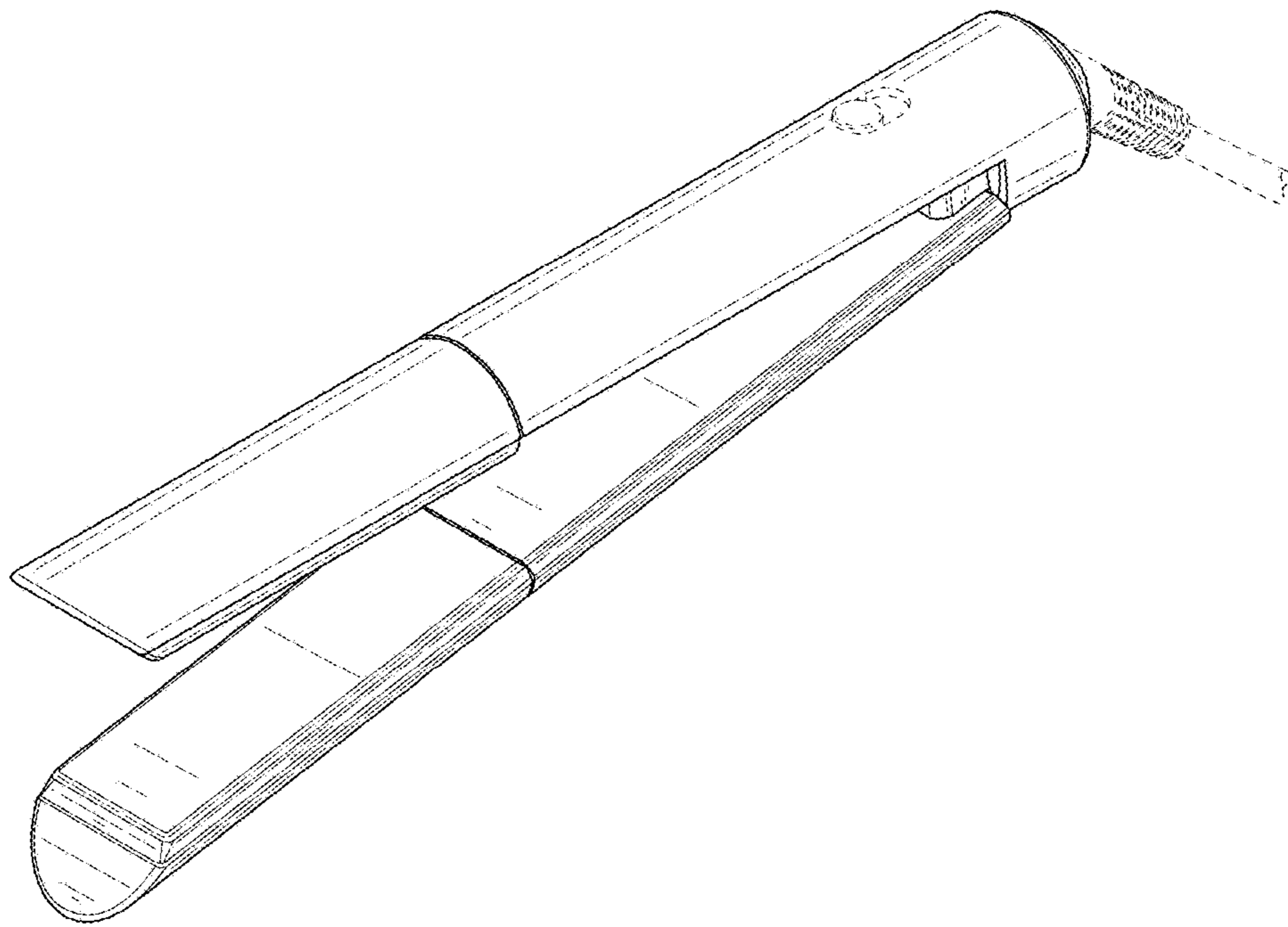


FIG. 1

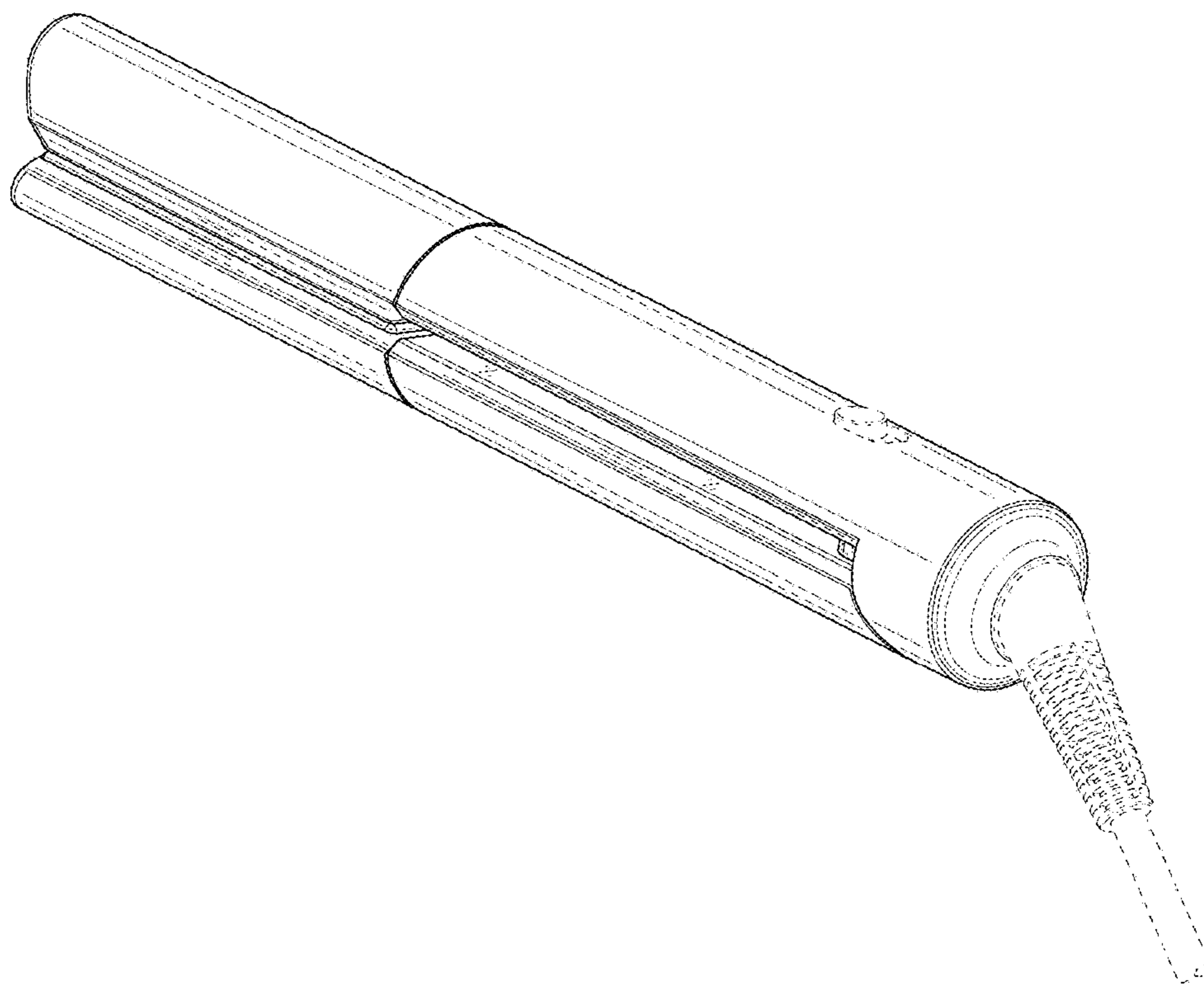


FIG. 2

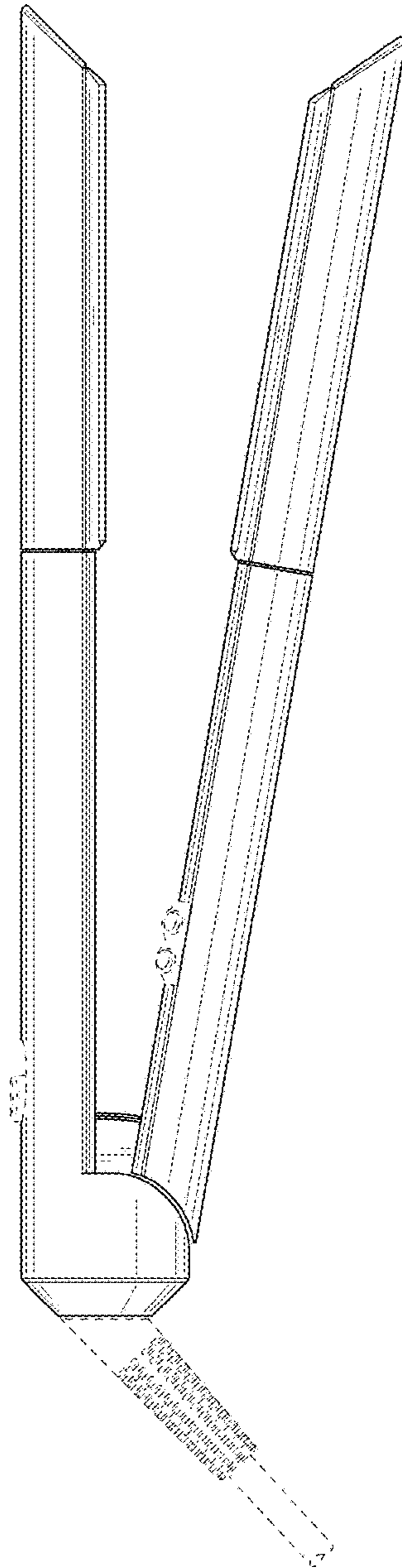


FIG. 3

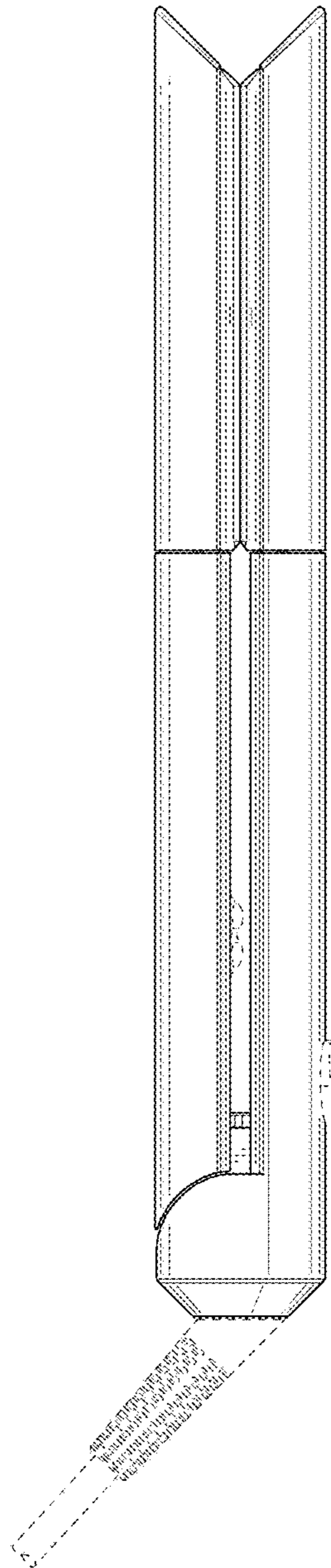


FIG. 4



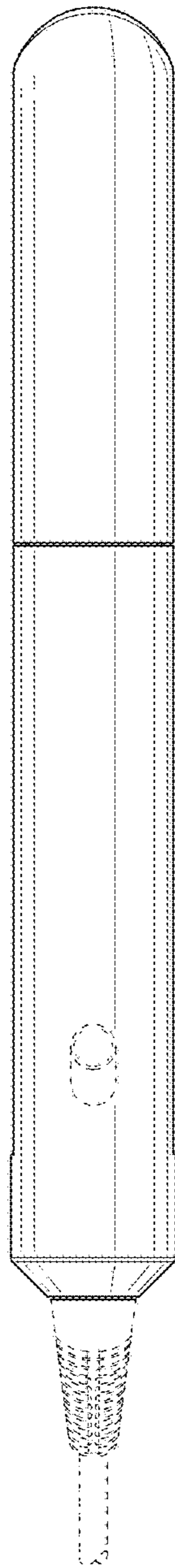


FIG. 5

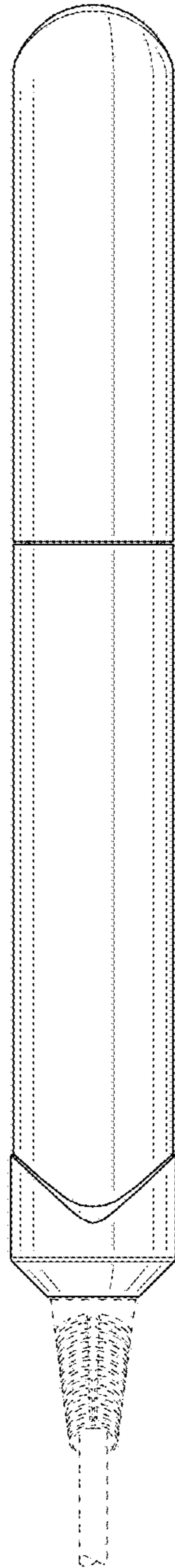


FIG. 6



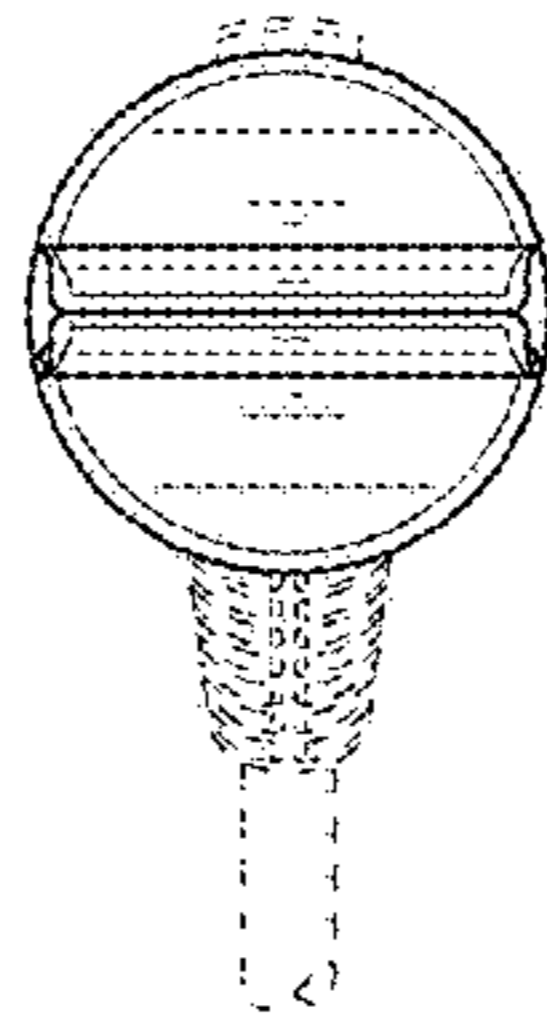


FIG. 7