



US00D850000S

(12) **United States Design Patent**
Chen

(10) **Patent No.:** **US D850,000 S**

(45) **Date of Patent:** **** May 28, 2019**

- (54) **HAIR DRYER**
- (71) Applicant: **Minghua Chen**, Guangdong (CN)
- (72) Inventor: **Minghua Chen**, Guangdong (CN)
- (73) Assignee: **Shenzhen OuKu E-commerce Co., Ltd**, Shenzhen, Guangdong
- (**) Term: **15 Years**
- (21) Appl. No.: **29/633,400**
- (22) Filed: **Jan. 13, 2018**
- (51) **LOC (11) Cl.** **28-03**
- (52) **U.S. Cl.**
USPC **D28/13**
- (58) **Field of Classification Search**
USPC D28/15, 13, 10, 21, 24–26, 28; 34/96–98
CPC A45D 20/12; A45D 20/00; A45D 20/10;
A45D 20/04; A45D 20/08; A45D 20/122;
A45D 20/124; A45D 20/128
See application file for complete search history.

(56) **References Cited**

U.S. PATENT DOCUMENTS

D499,209 S	*	11/2004	Ikesaki	D28/13
D519,242 S	*	4/2006	Lin	D28/13
D525,389 S	*	7/2006	Yu	D28/13
D627,098 S	*	11/2010	Kim	D28/13
D627,510 S	*	11/2010	Zabala	D28/13
D629,967 S	*	12/2010	Mayo	D28/13

D639,505 S	*	6/2011	Kim	D28/13
D670,860 S	*	11/2012	Matshushima	D28/13
D677,834 S	*	3/2013	Sayers	D28/13
D681,274 S	*	4/2013	Huang	D28/13
D681,275 S	*	4/2013	Huang	D28/13
D710,541 S	*	8/2014	Miyaji	A45D 20/12 D28/13
D716,999 S	*	11/2014	Americano	A45D 20/122 D28/13
D726,958 S	*	4/2015	Spagnolo	D28/13
D726,960 S	*	4/2015	Fernandes da Costa	D28/18
D750,322 S	*	2/2016	Hu	D28/13
D758,657 S	*	6/2016	Hary	D28/13
D775,764 S	*	1/2017	Prat-Pfister	D28/13

* cited by examiner

Primary Examiner — Janice Hallmark
Assistant Examiner — Rebecca Tsehaye

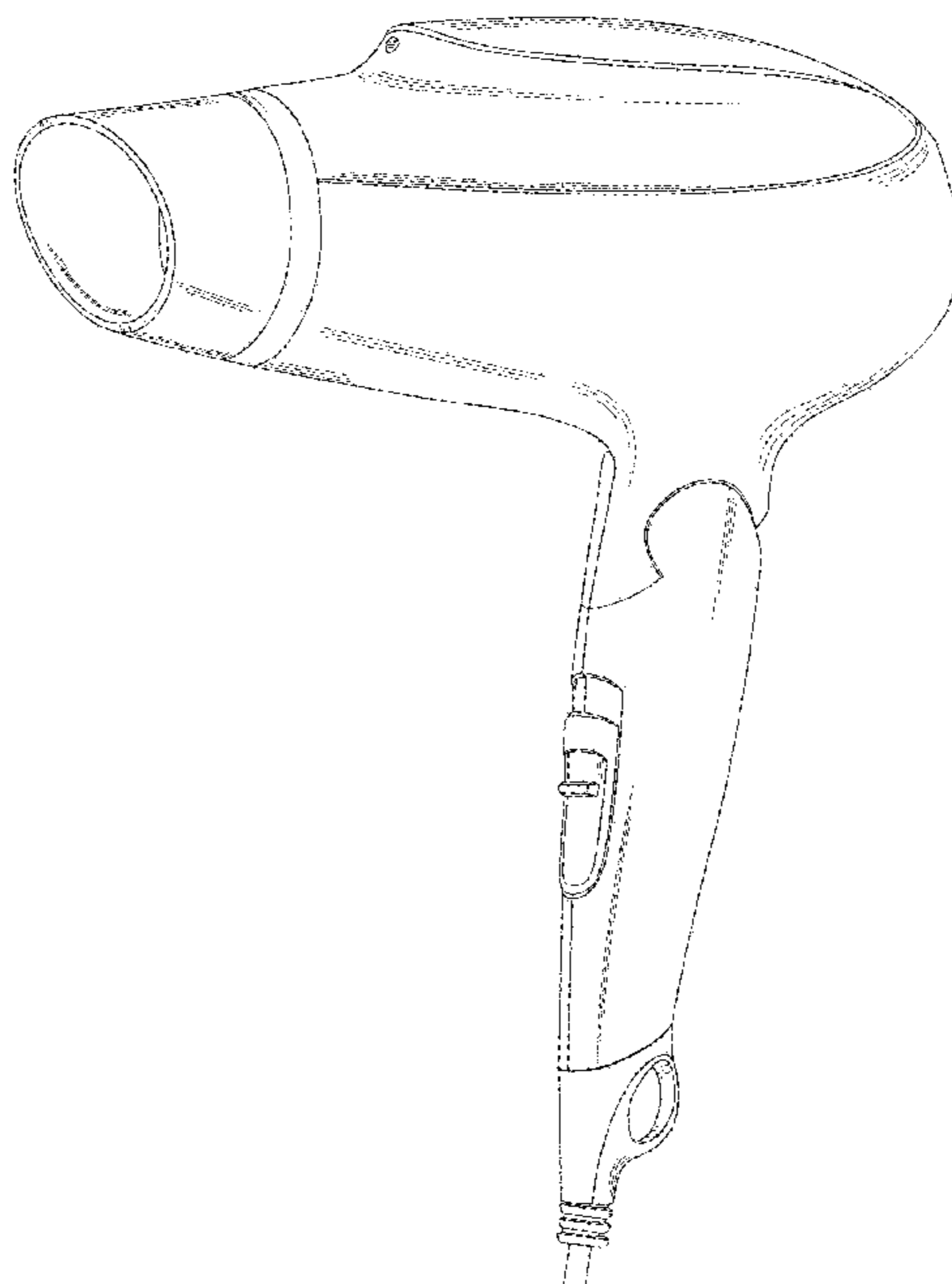
(57) **CLAIM**

I claim the ornamental design for a hair dryer, as shown and described.

DESCRIPTION

FIG. 1 is a perspective view of a hair dryer showing my new design;
FIG. 2 is a front elevational view thereof;
FIG. 3 is a rear elevational view thereof;
FIG. 4 is a left side elevational view thereof;
FIG. 5 is a right side elevational view thereof;
FIG. 6 is a top plan view thereof; and,
FIG. 7 is a bottom plan view thereof.

1 Claim, 7 Drawing Sheets



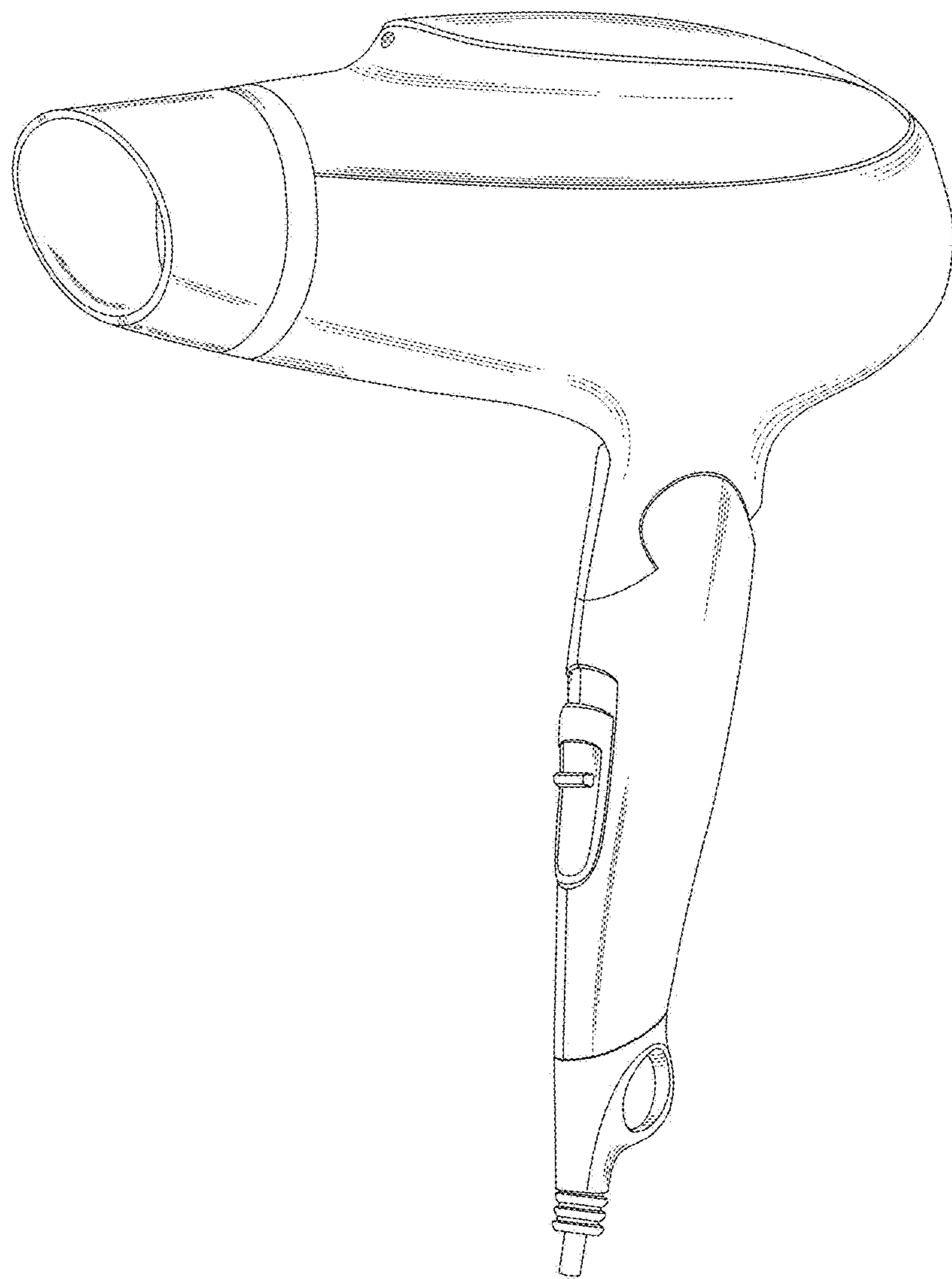


FIG.1

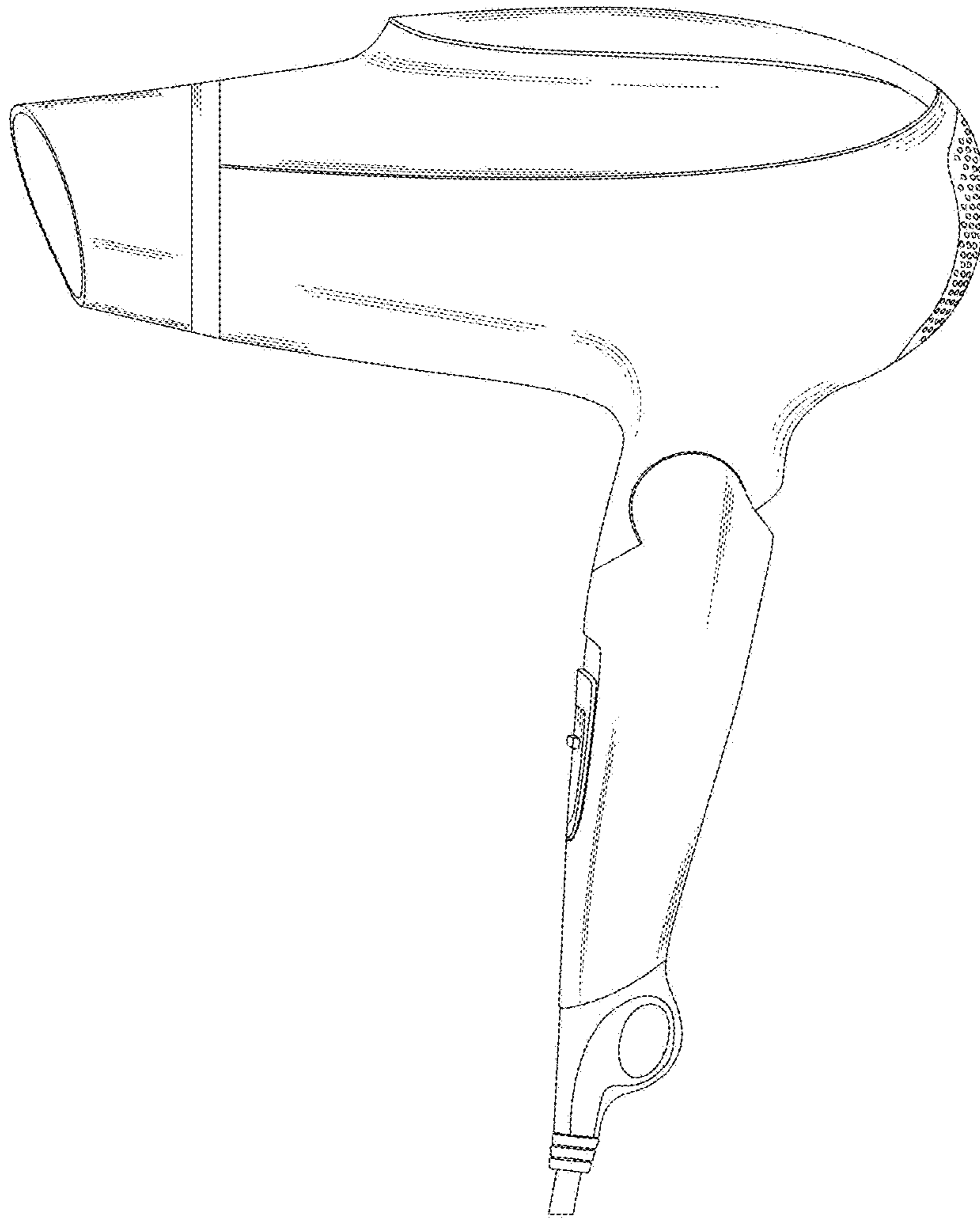


FIG.2

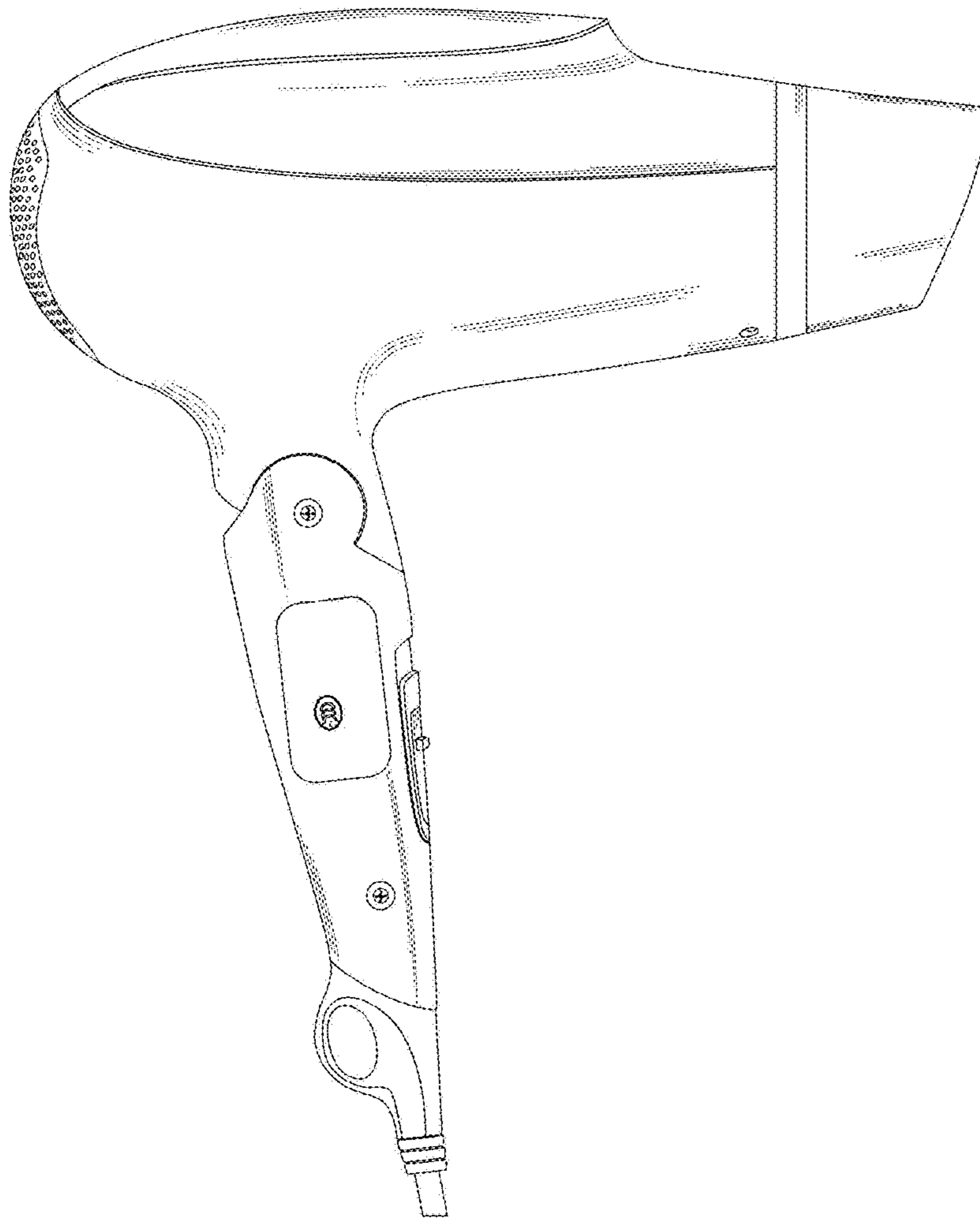


FIG.3

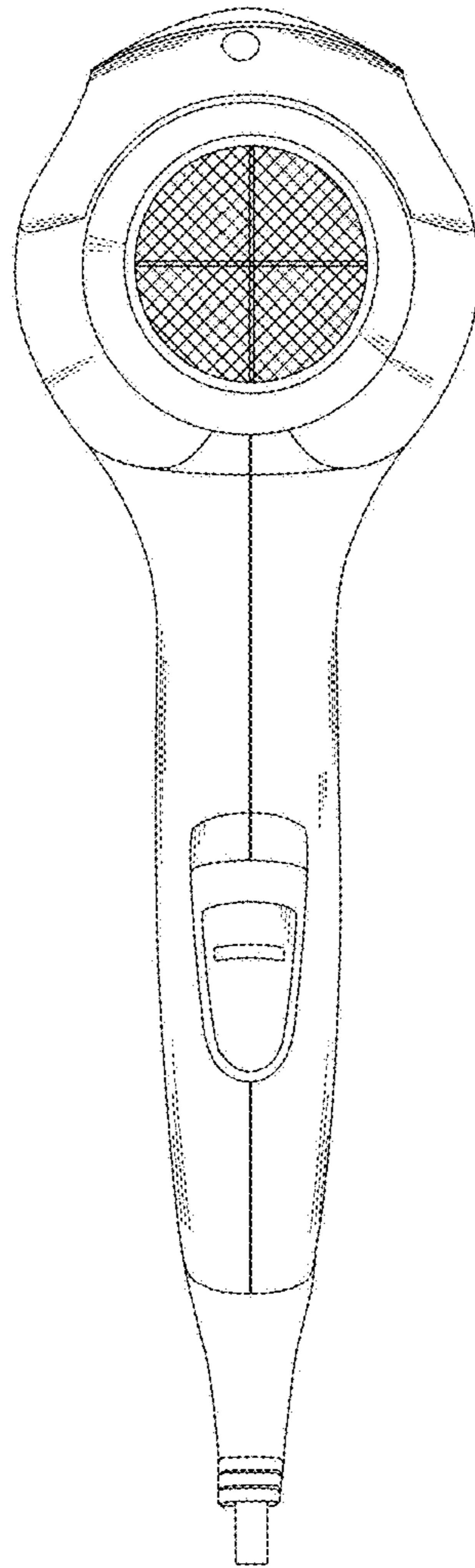


FIG. 4

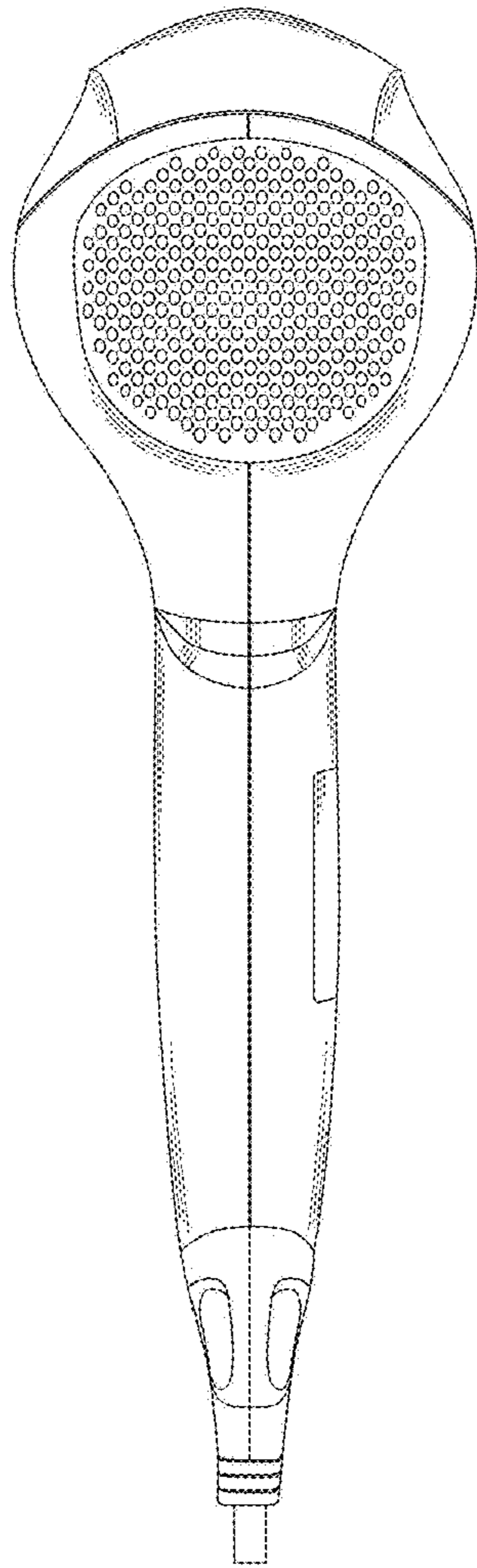


FIG.5

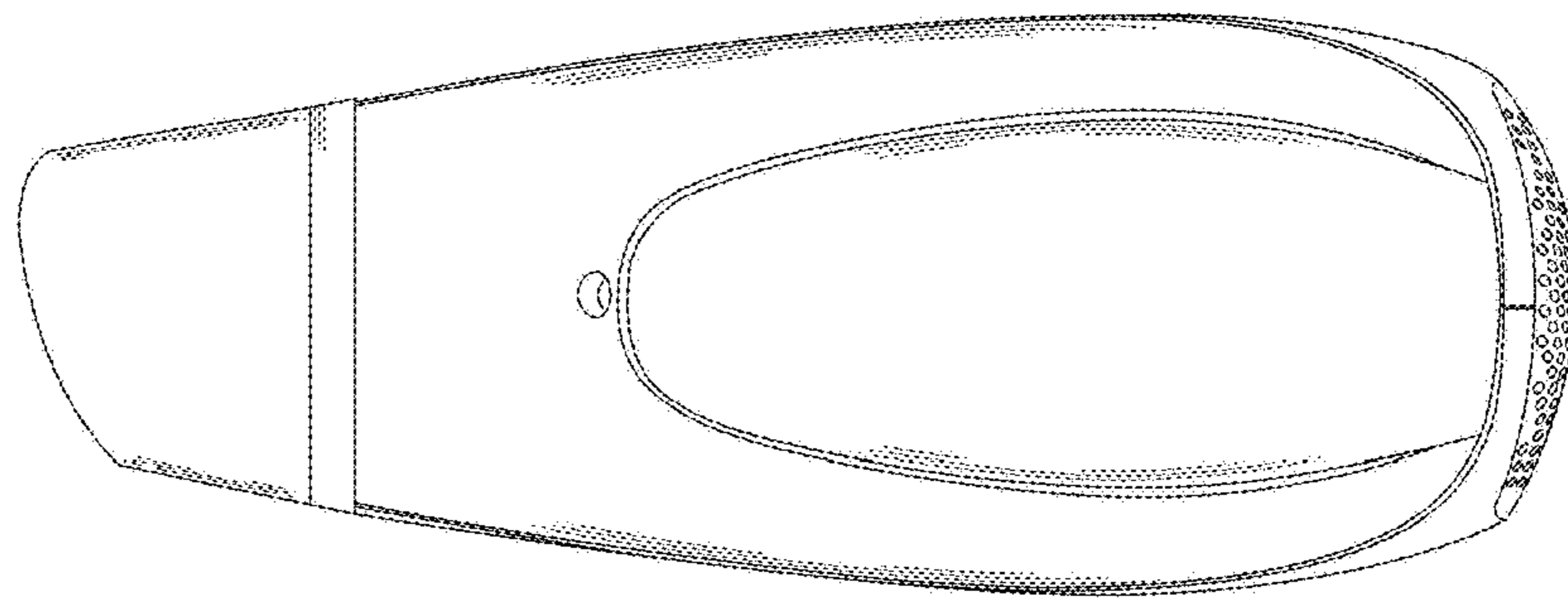


FIG.6

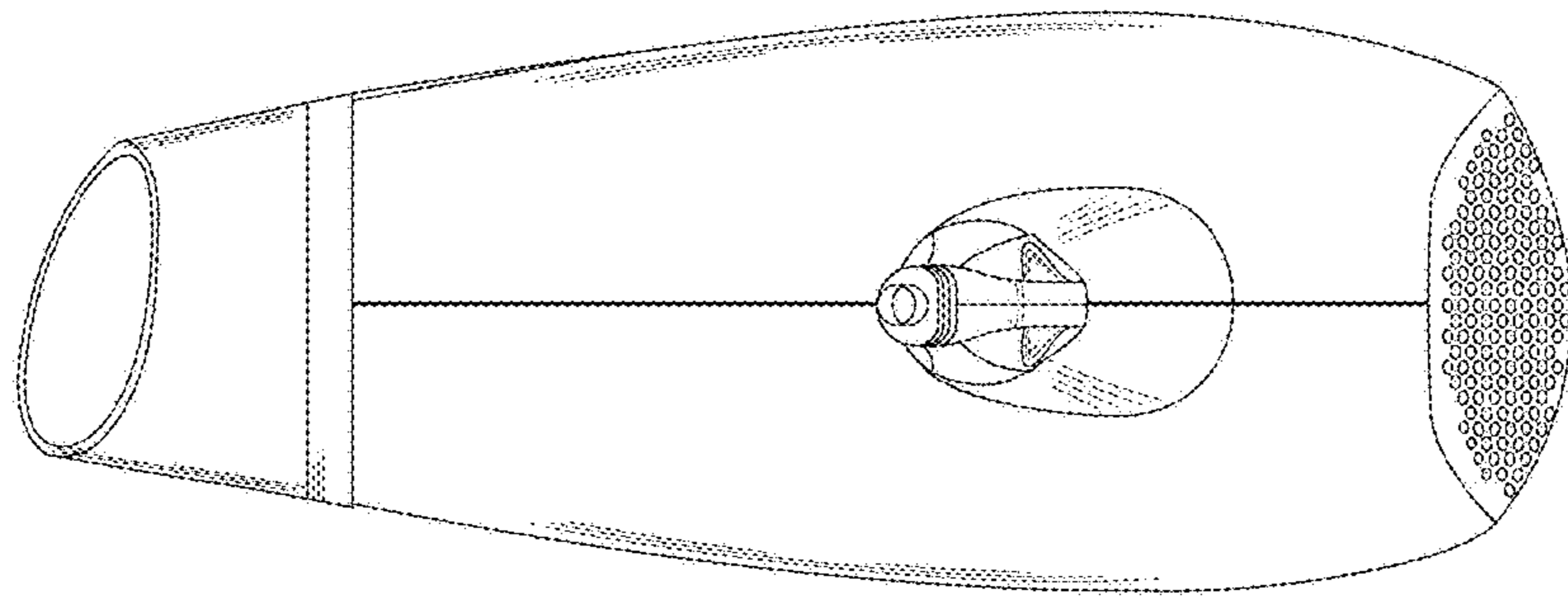


FIG.7