

US00D849997S

(12) **United States Design Patent** (10) **Patent No.:** **US D849,997 S**
Healy et al. (45) **Date of Patent:** **** May 28, 2019**

- (54) **PORTABLE TAMPER**
- (71) Applicant: **Twisted Foot, LLC**, Charlotte, NC (US)
- (72) Inventors: **Robert Andrew Healy**, Charlotte, NC (US); **Craig John Errington**, Charlotte, NC (US)
- (73) Assignee: **TWISTED FOOT, LLC**, Charlotte, NC (US)
- (**) Term: **15 Years**
- (21) Appl. No.: **29/592,933**
- (22) Filed: **Feb. 3, 2017**
- (51) **LOC (11) Cl.** **27-99**
- (52) **U.S. Cl.**
USPC **D27/196**
- (58) **Field of Classification Search**
USPC D27/194, 196; D8/14, 75, 77; D11/3, 4
CPC A24F 9/00; A24F 9/02
See application file for complete search history.

- (56) **References Cited**
U.S. PATENT DOCUMENTS
3,234,916 A * 2/1966 Fassbender A24F 9/00
131/243
3,263,690 A * 8/1966 Buckley A24F 9/02
131/243
D243,315 S * 2/1977 Smith D8/77
D388,010 S * 12/1997 Scheufele D11/26
D571,953 S * 6/2008 Rosso D27/161
D648,982 S * 11/2011 Jokuszies D23/252

- D687,736 S * 8/2013 Wycoff D11/3
- D711,762 S * 8/2014 Murphy D11/4
- D758,907 S * 6/2016 Kaiser D11/2
- D784,177 S * 4/2017 Kaiser D11/2
- 9,770,088 B1 * 9/2017 Rivers A45F 5/00
- 2012/0234043 A1 * 9/2012 Guerrero, II A44C 5/0007
63/13
- 2013/0206801 A1 * 8/2013 Delgatty A45F 5/00
224/219

* cited by examiner

Primary Examiner — Philip S Hyder

(74) *Attorney, Agent, or Firm* — Williams Mullen

(57) **CLAIM**

The ornamental design for a portable tamper, as shown and described.

DESCRIPTION

FIG. 1 is a front perspective view of the portable tamper being shown attached to another portable tamper in a closed configuration.

FIG. 2 is a front view of the portable tamper, the portable tamper being shown in a flattened and in a closed configuration.

FIG. 3 is a back view thereof.

FIG. 4 is a side elevational view thereof.

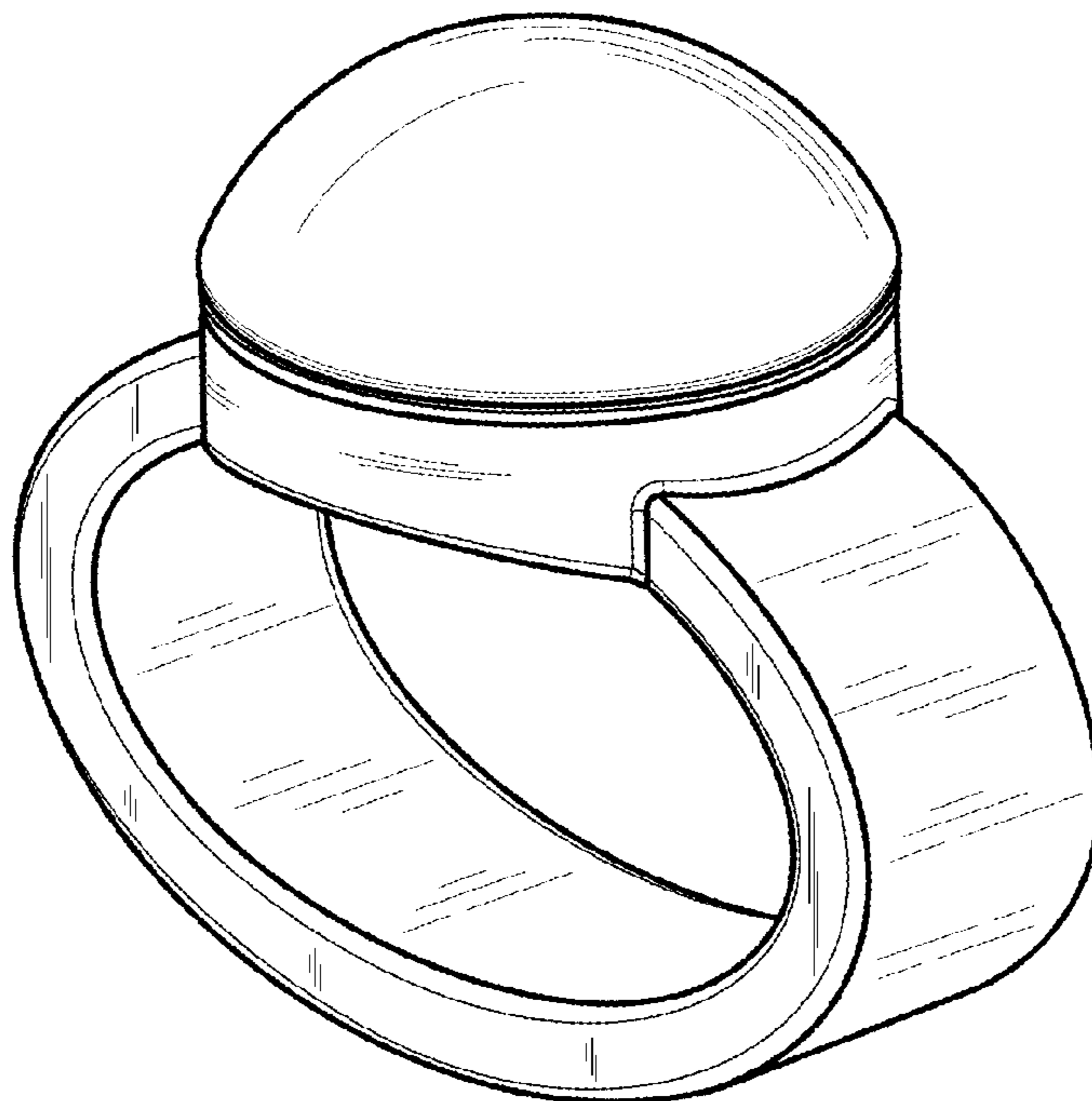
FIG. 5 is a top view thereof.

FIG. 6 is bottom view thereof.

FIG. 7 is another front perspective view of the portable tamper being shown attached to another portable tamper in a partially-open, exploded configuration; and,

FIG. 8 is another side elevational view of a portion of the portable tamper in a partially-open configuration.

1 Claim, 8 Drawing Sheets



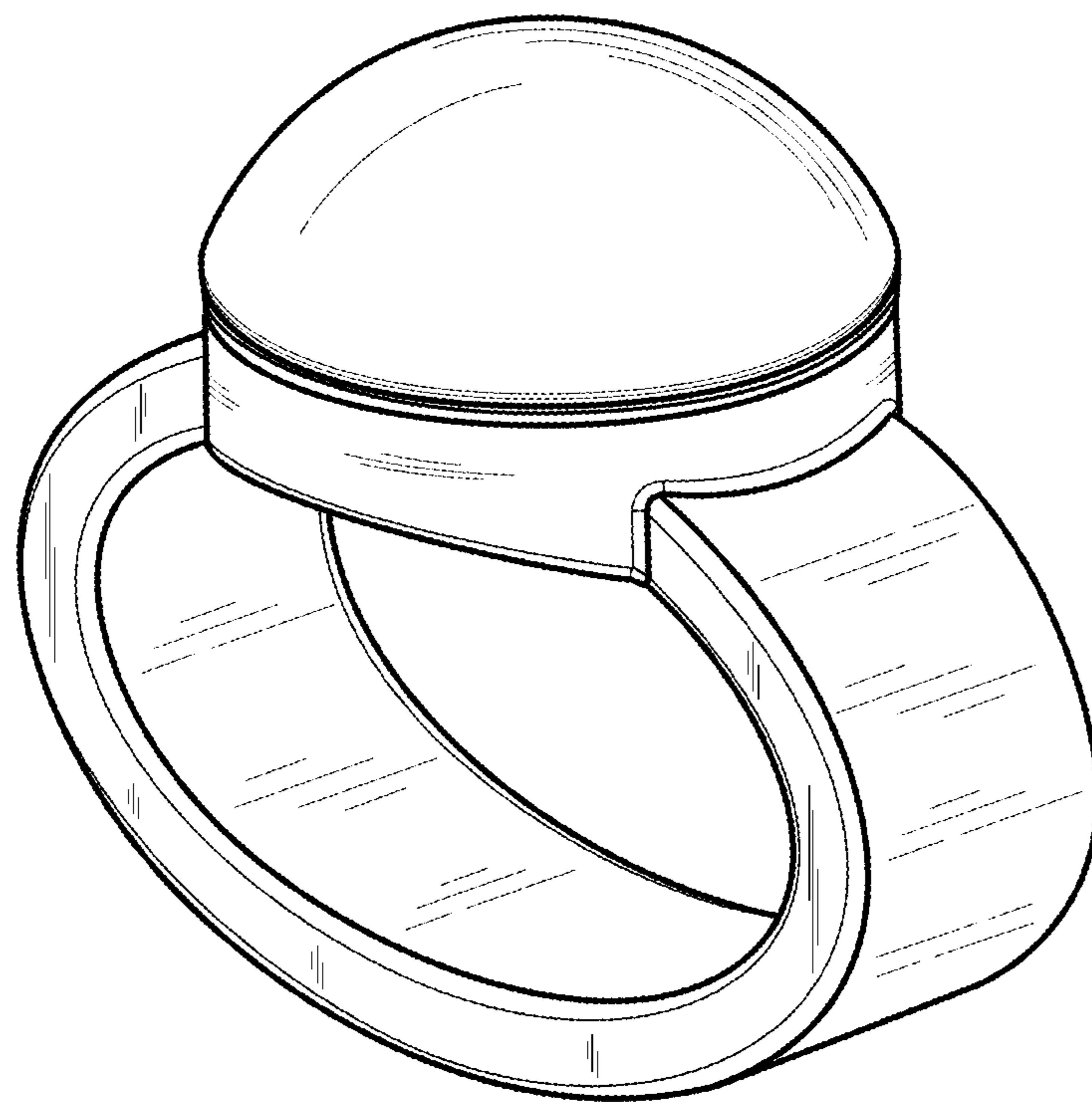


FIG. 1

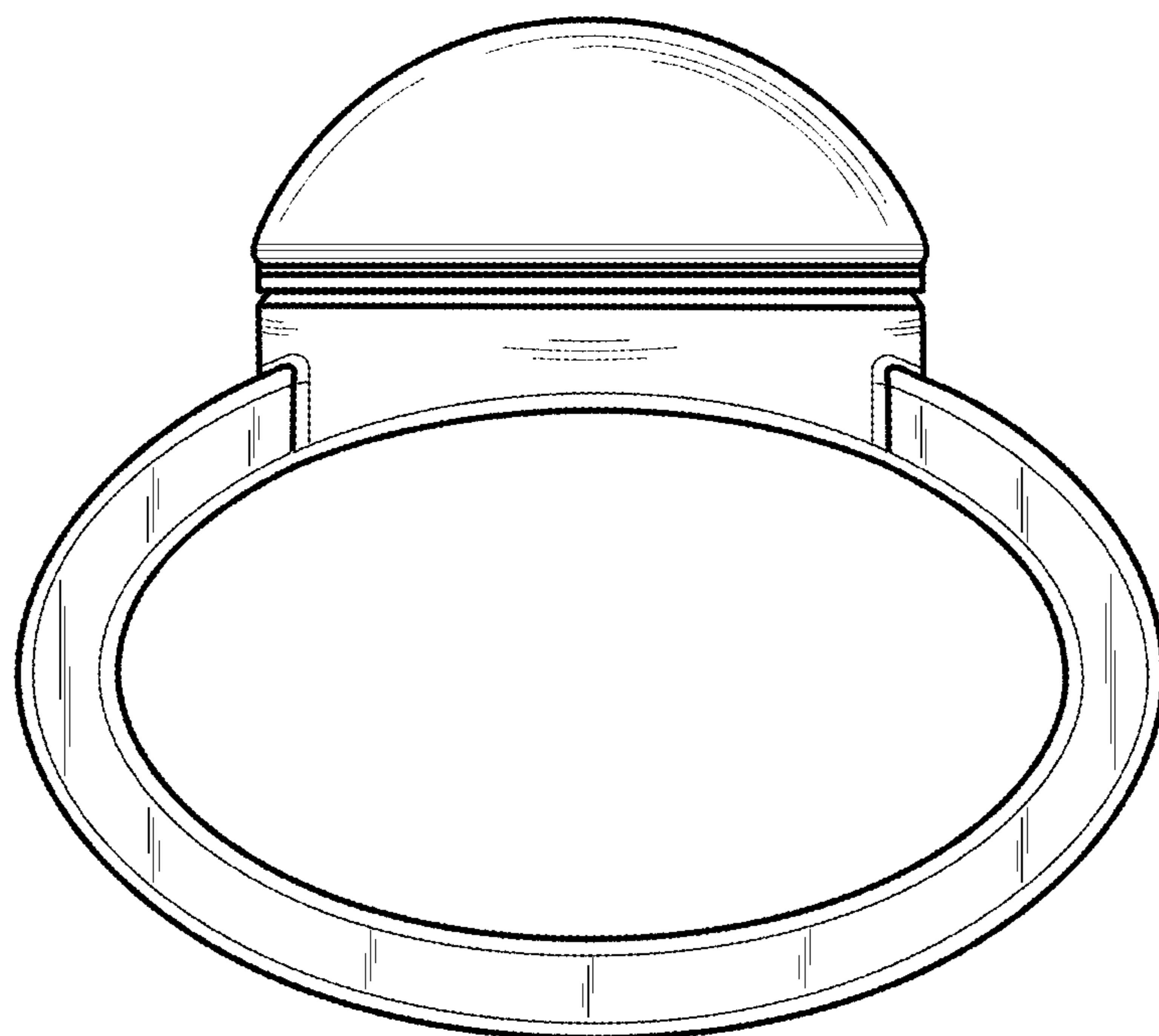


FIG. 2

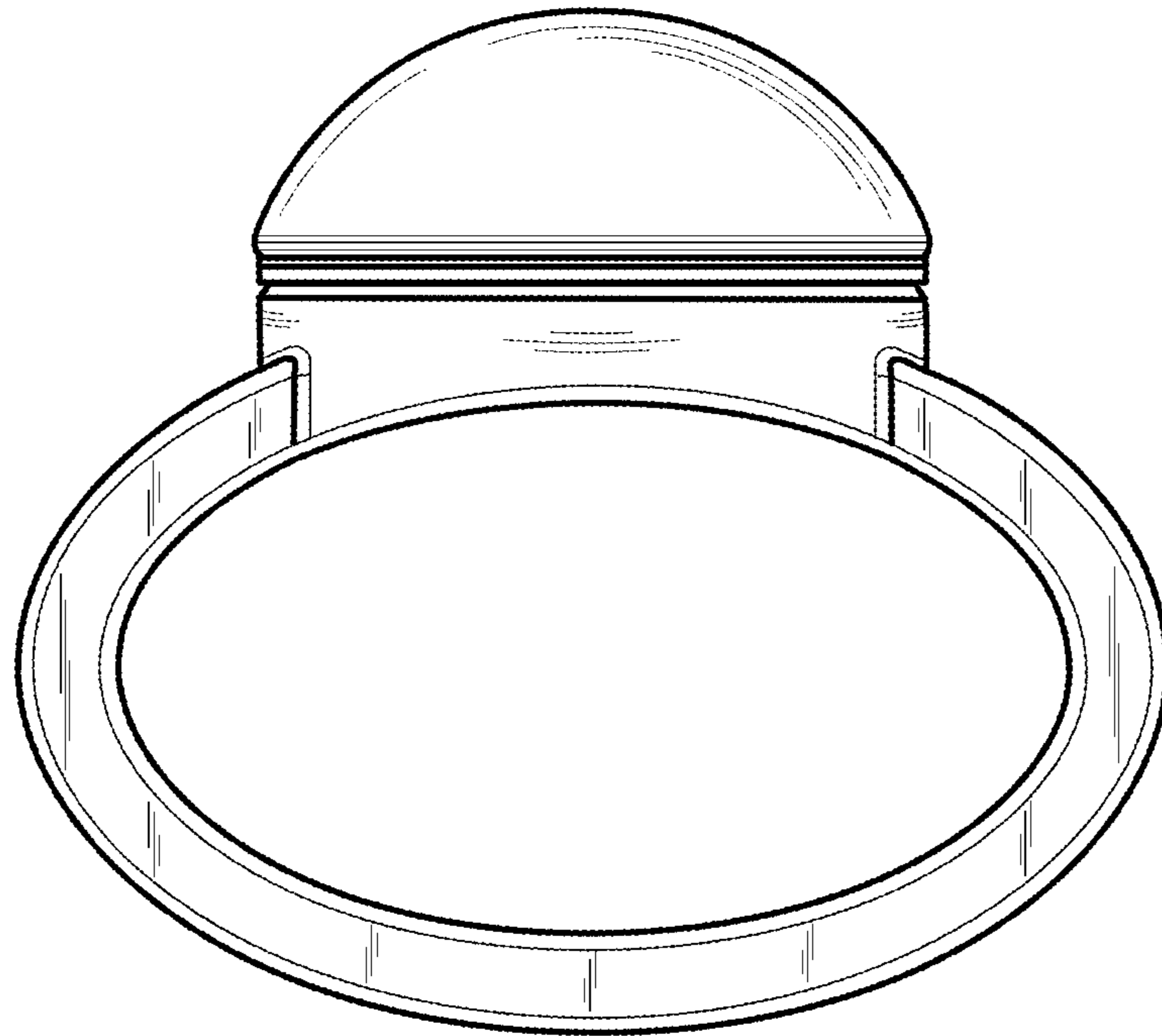


FIG. 3

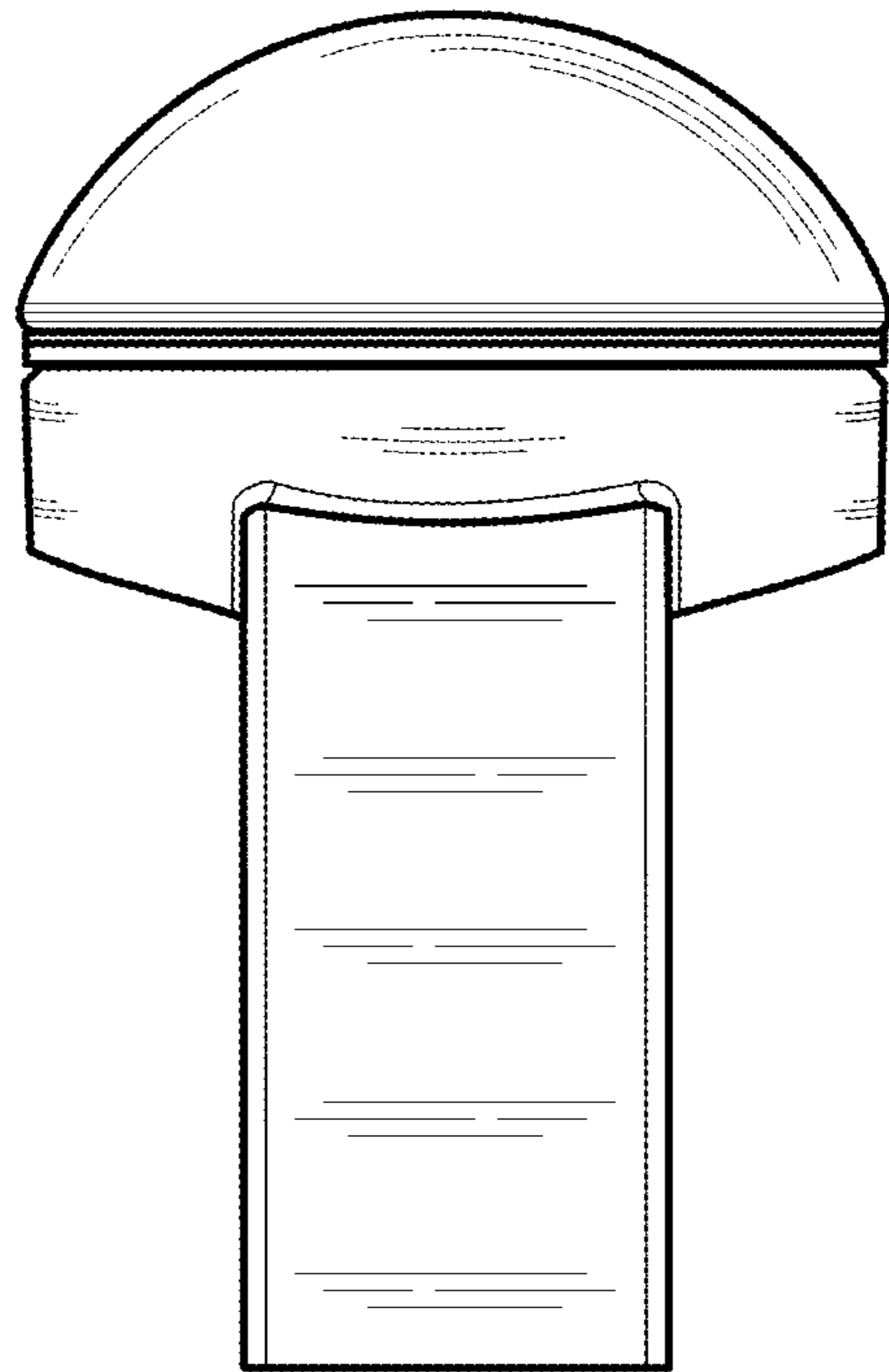


FIG. 4

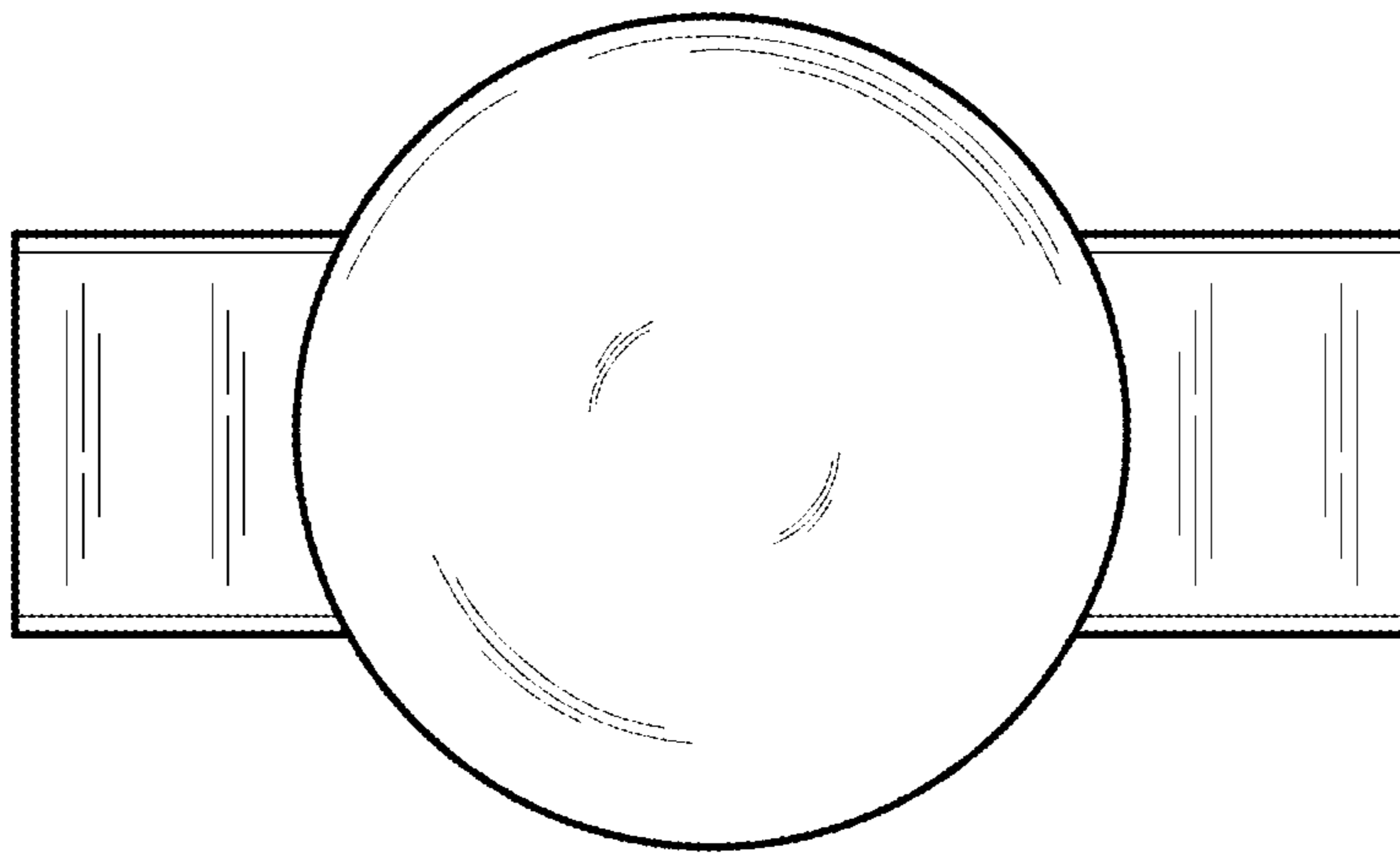


FIG. 5

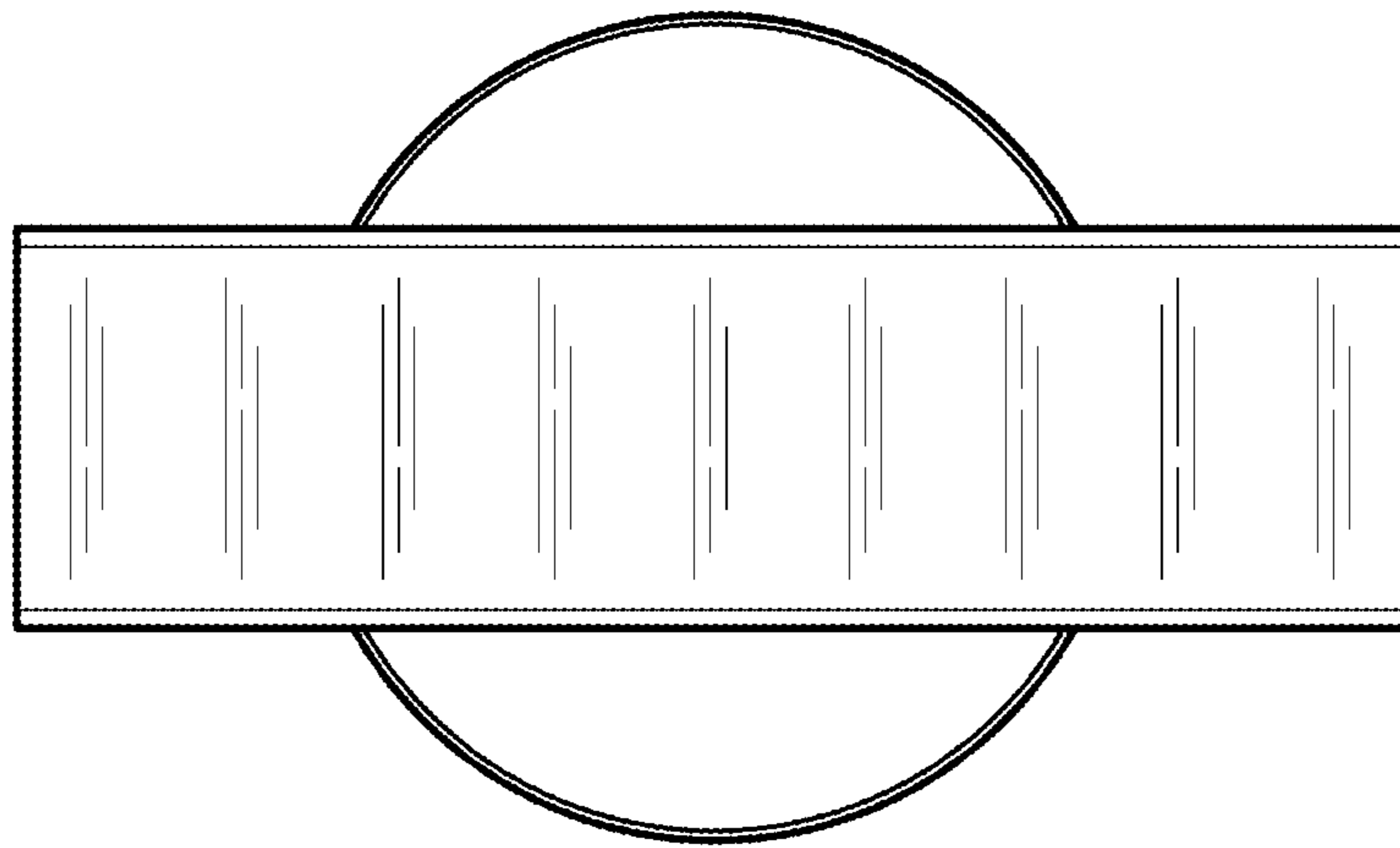


FIG. 6

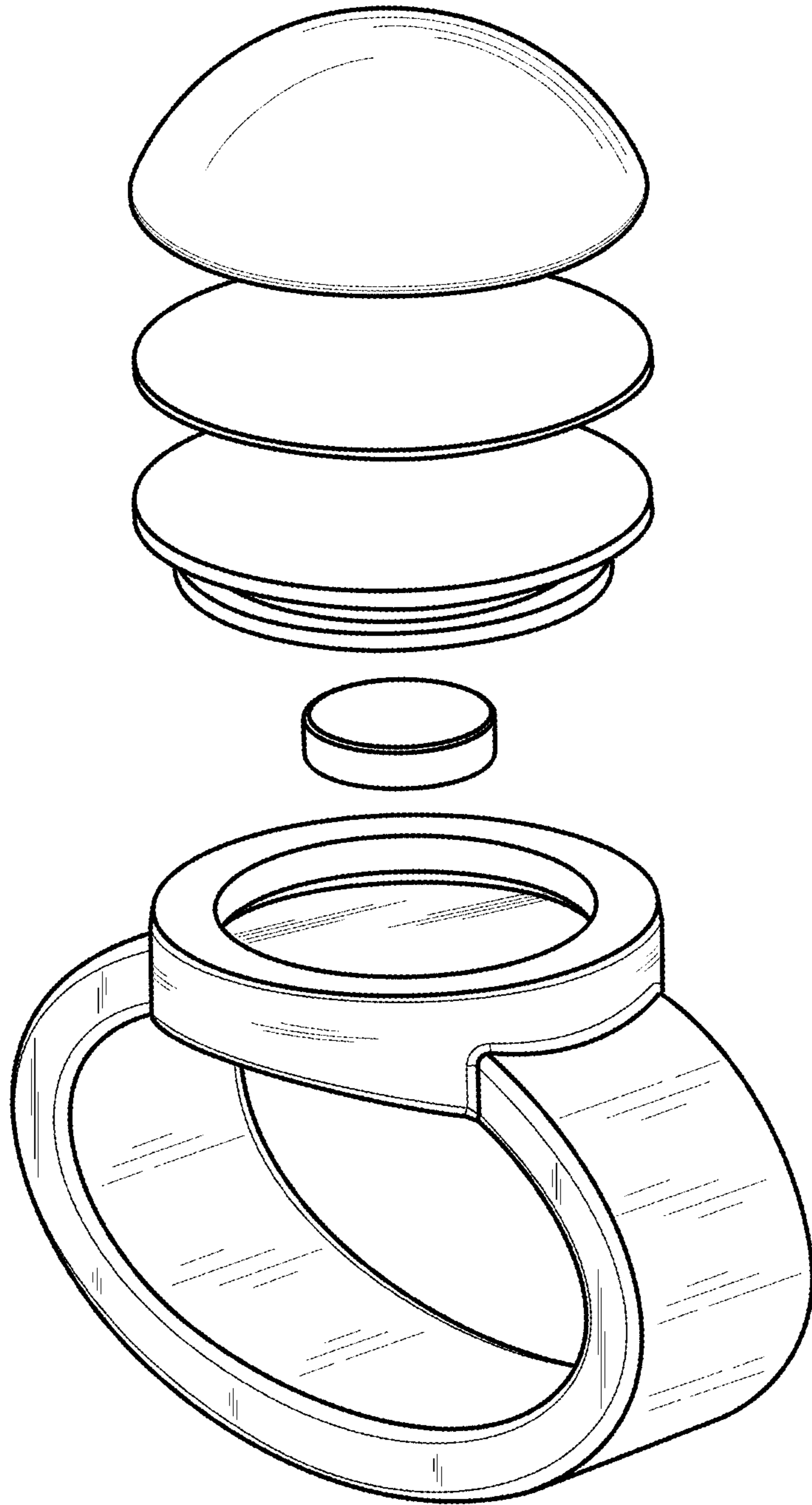


FIG. 7

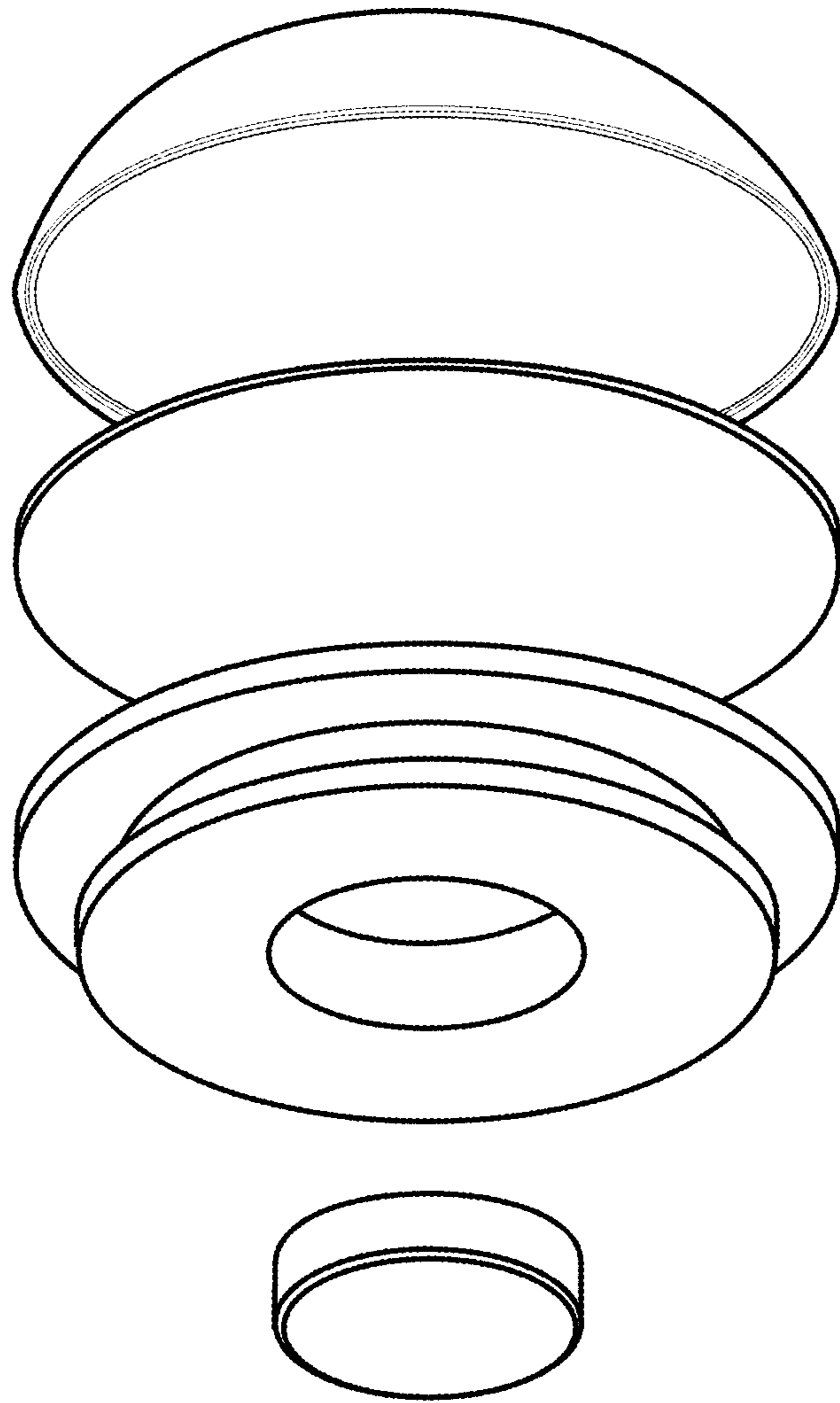


FIG. 8