



US00D849995S

(12) **United States Design Patent**
Lin

(10) **Patent No.:** **US D849,995 S**
(45) **Date of Patent:** **** May 28, 2019**

(54) **CIGARETTE MAKING MACHINE**
(71) Applicant: **REPUBLIC TOBACCO L.P.**,
Glenview, IL (US)
(72) Inventor: **Mei Lin**, Northbrook, IL (US)
(73) Assignee: **REPUBLIC TOBACCO L.P.**,
Glenview, IL (US)
(**) Term: **14 Years**

D197,986 S * 4/1964 Schlage D23/250
3,127,900 A * 4/1964 Kastner A24C 5/425
131/70
3,202,156 A * 8/1965 Kappeler A24C 5/425
131/70
3,509,887 A * 5/1970 Kappeler A24C 5/425
131/70
D365,742 S * 1/1996 Decursu D8/312
D459,646 S * 7/2002 Bertani D8/310
D544,643 S * 6/2007 Lin D27/194
D553,793 S * 10/2007 Lin D27/194
D579,150 S * 10/2008 Lin D27/184
D589,776 S * 4/2009 Camp D8/310

(Continued)

(21) Appl. No.: **29/515,821**
(22) Filed: **Jan. 27, 2015**

Primary Examiner — Janice Hallmark
(74) *Attorney, Agent, or Firm* — Michael Best &
Friedrich LLP

Related U.S. Application Data

(62) Division of application No. 13/157,517, filed on Jun.
10, 2011, now abandoned.
(51) **LOC (11) Cl.** **27-99**
(52) **U.S. Cl.**
USPC **D27/194**
(58) **Field of Classification Search**
USPC D27/194, 184, 172, 183; D8/300, 301,
D8/303, 312; D12/179; 131/58, 70-75
CPC A24C 5/42; A24C 5/40; A24C 5/00; A24C
5/34
See application file for complete search history.

(57) **CLAIM**

The ornamental design for a cigarette making machine, as
shown and described.

DESCRIPTION

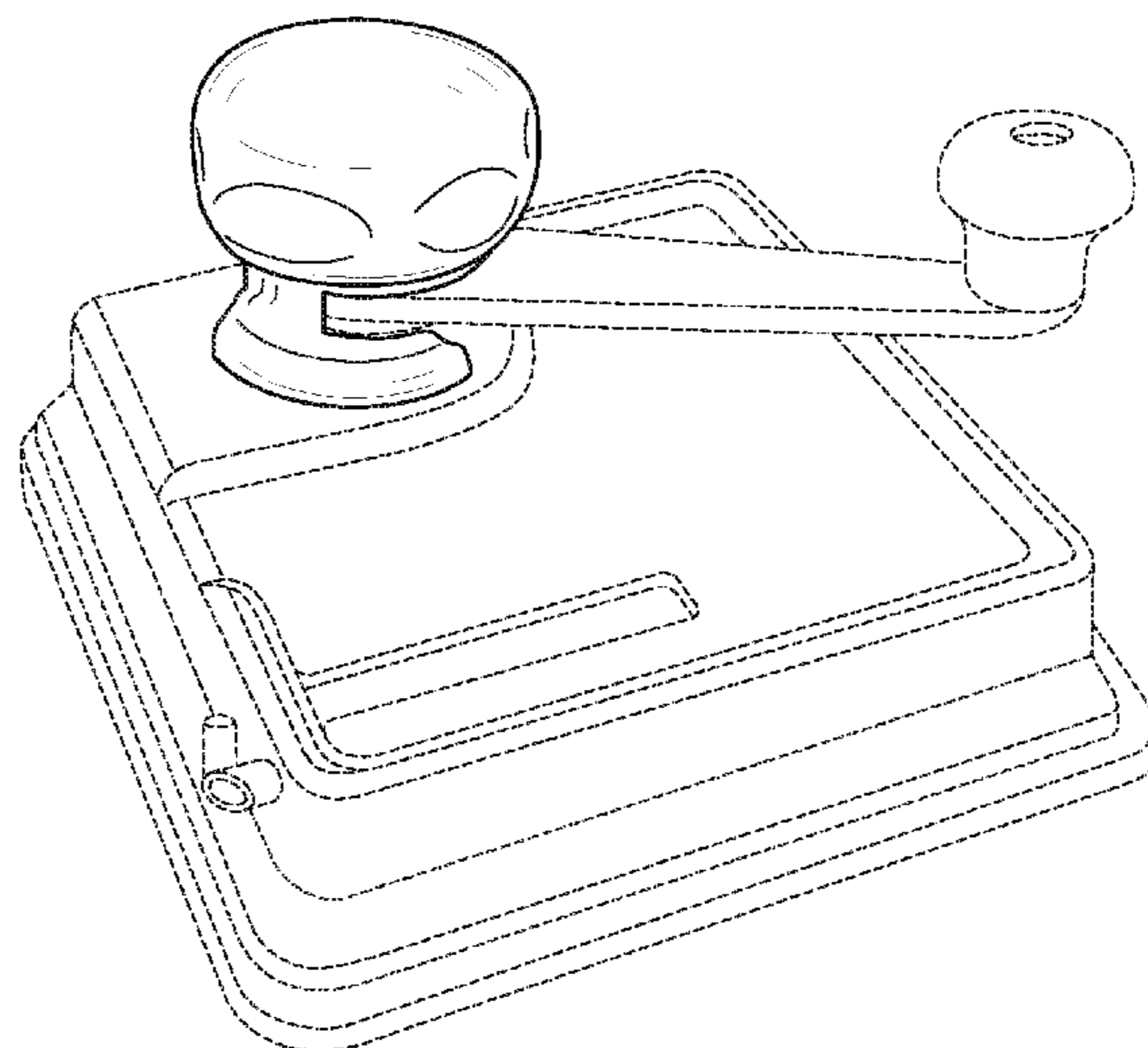
FIG. 1 is a front perspective view of the cigarette making
machine;
FIG. 2 is a right side elevation view of the cigarette making
machine of FIG. 1;
FIG. 3 is a left side elevation view of the cigarette making
machine of FIG. 1;
FIG. 4 is a front elevation view of the cigarette making
machine of FIG. 1;
FIG. 5 is a rear elevation view of the cigarette making
machine of FIG. 1;
FIG. 6 is a top plan view of the cigarette making machine of
FIG. 1; and,
FIG. 7 is a bottom plan view of the cigarette making
machine of FIG. 1.
The broken lines in the drawings depict parts of the cigarette
making machine that form no part of the claimed design.

(56) **References Cited**

U.S. PATENT DOCUMENTS

D93,056 S * 8/1934 Thorp D12/179
2,314,734 A * 3/1943 Ptasnik A24C 5/42
131/70
2,699,787 A * 1/1955 Kastner A24C 5/42
100/218
2,714,383 A * 8/1955 Gee A24C 5/42
131/70
2,731,971 A * 1/1956 Kastner A24C 5/42
131/70

1 Claim, 4 Drawing Sheets



(56)

References Cited

U.S. PATENT DOCUMENTS

D613,032 S * 4/2010 Lin D27/194
D613,033 S * 4/2010 Lin D27/194
8,037,887 B2 * 10/2011 Lin A24C 5/42
131/58
8,261,752 B2 * 9/2012 Bao A24C 5/42
131/70
D692,616 S * 10/2013 Patel D27/194
D700,399 S * 2/2014 Lin D27/194
2007/0295343 A1 * 12/2007 Susanto A24C 5/40
131/58
2010/0229880 A1 * 9/2010 Bao A24C 5/42
131/70
2013/0152952 A1 * 6/2013 Bao A24C 5/42
131/70
2015/0366263 A1 * 12/2015 Coltrane A24C 5/02
131/74

* cited by examiner

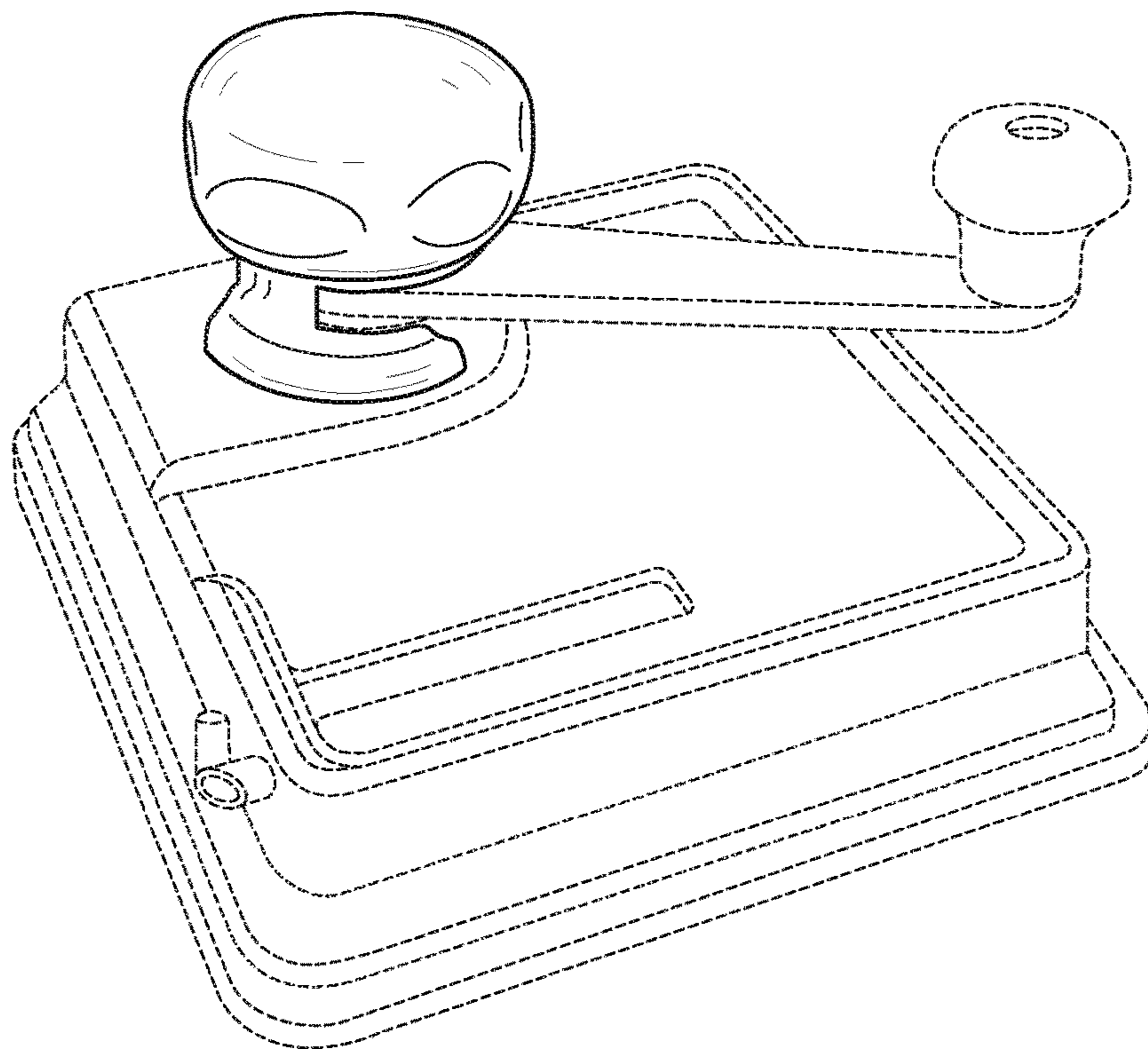


FIG. 1

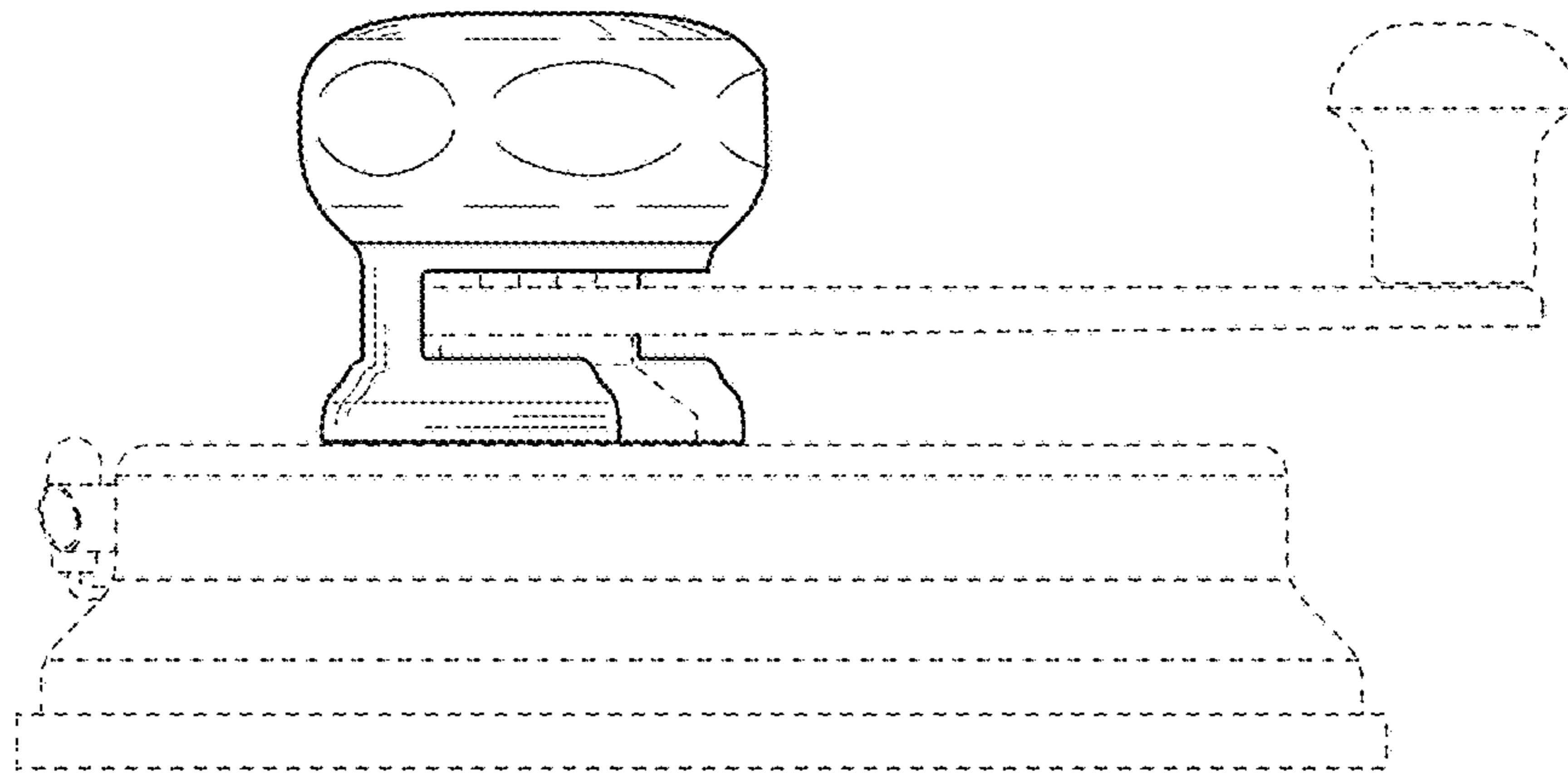


FIG. 2

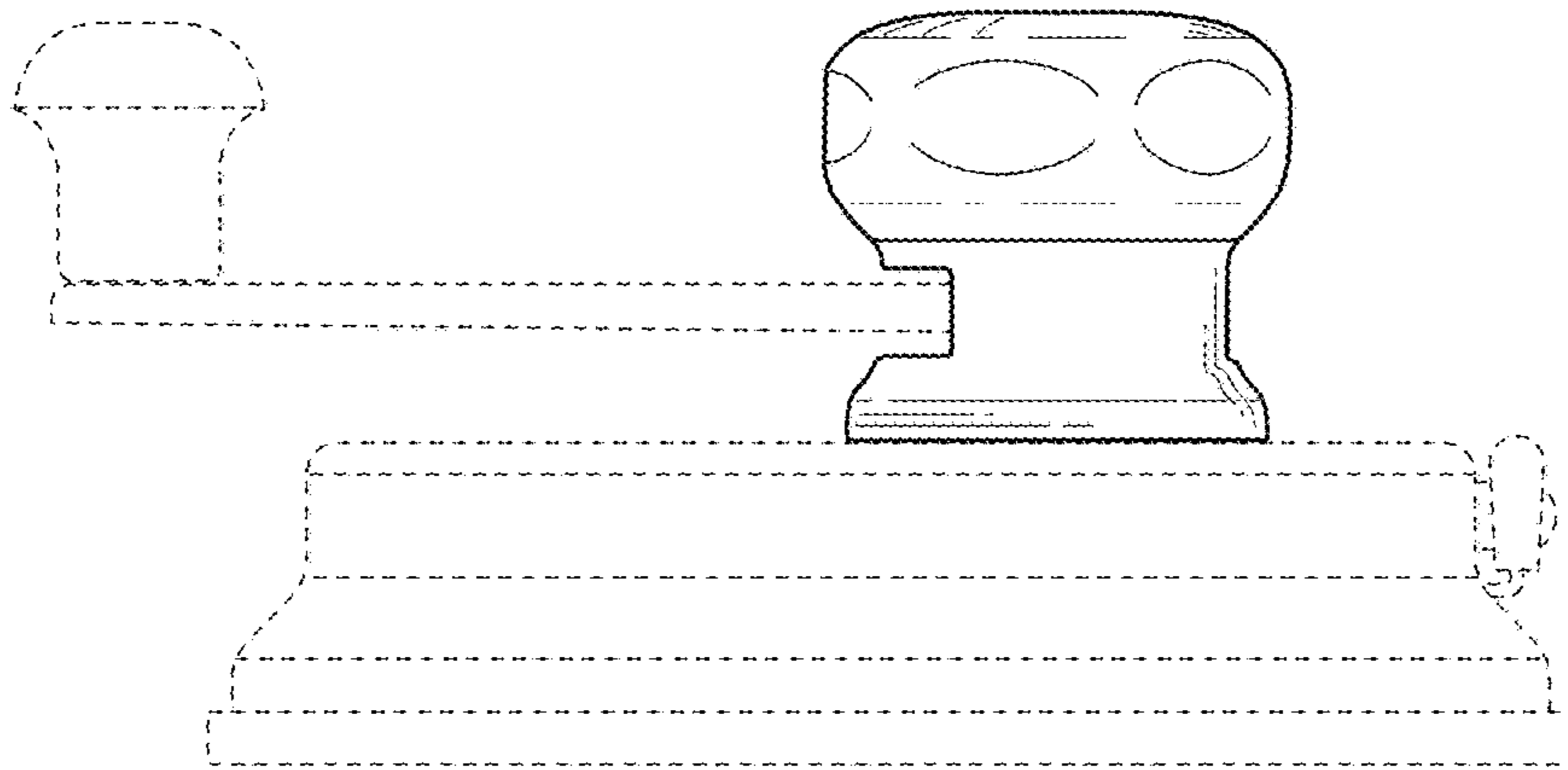


FIG. 3

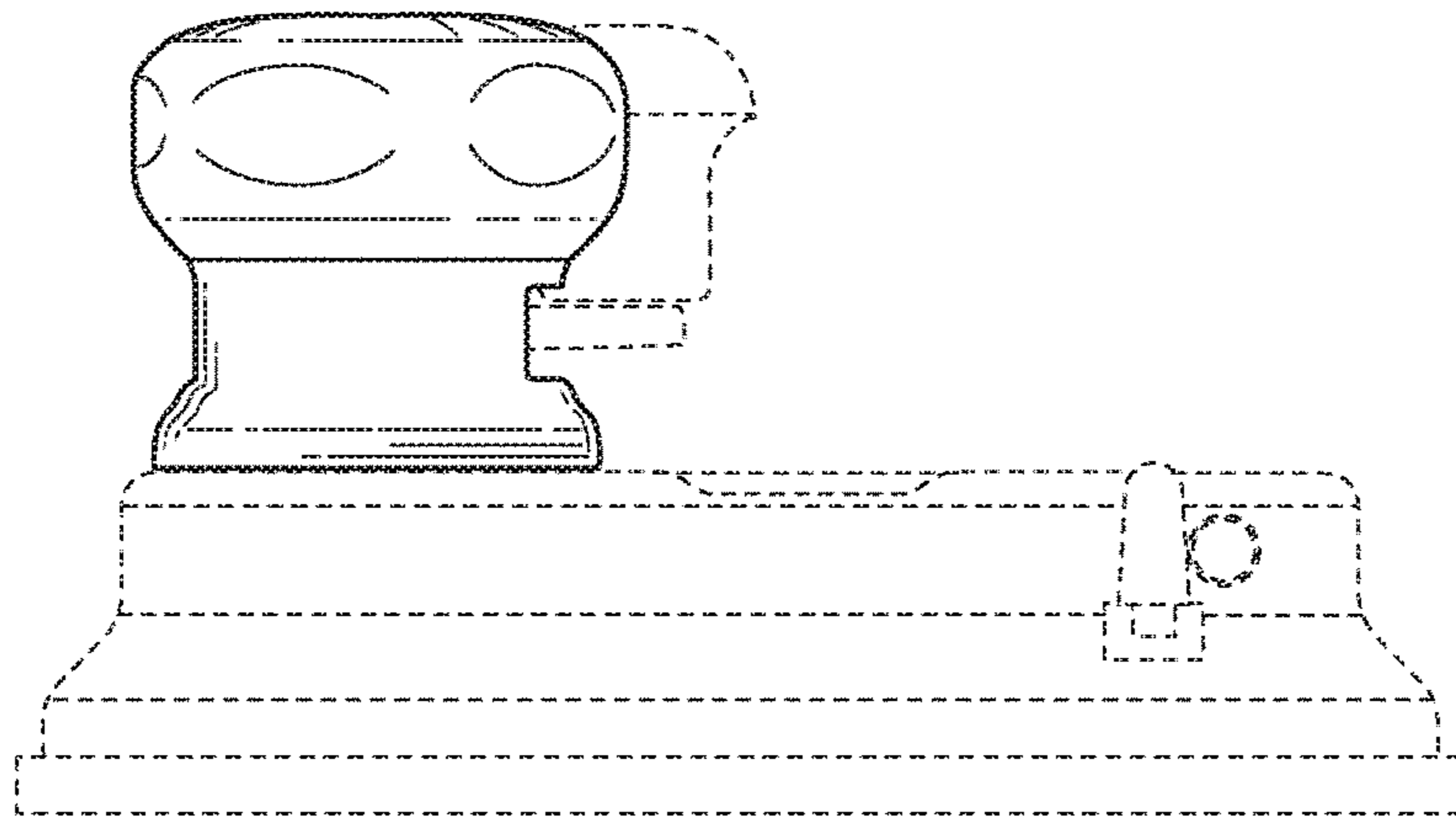


FIG. 4

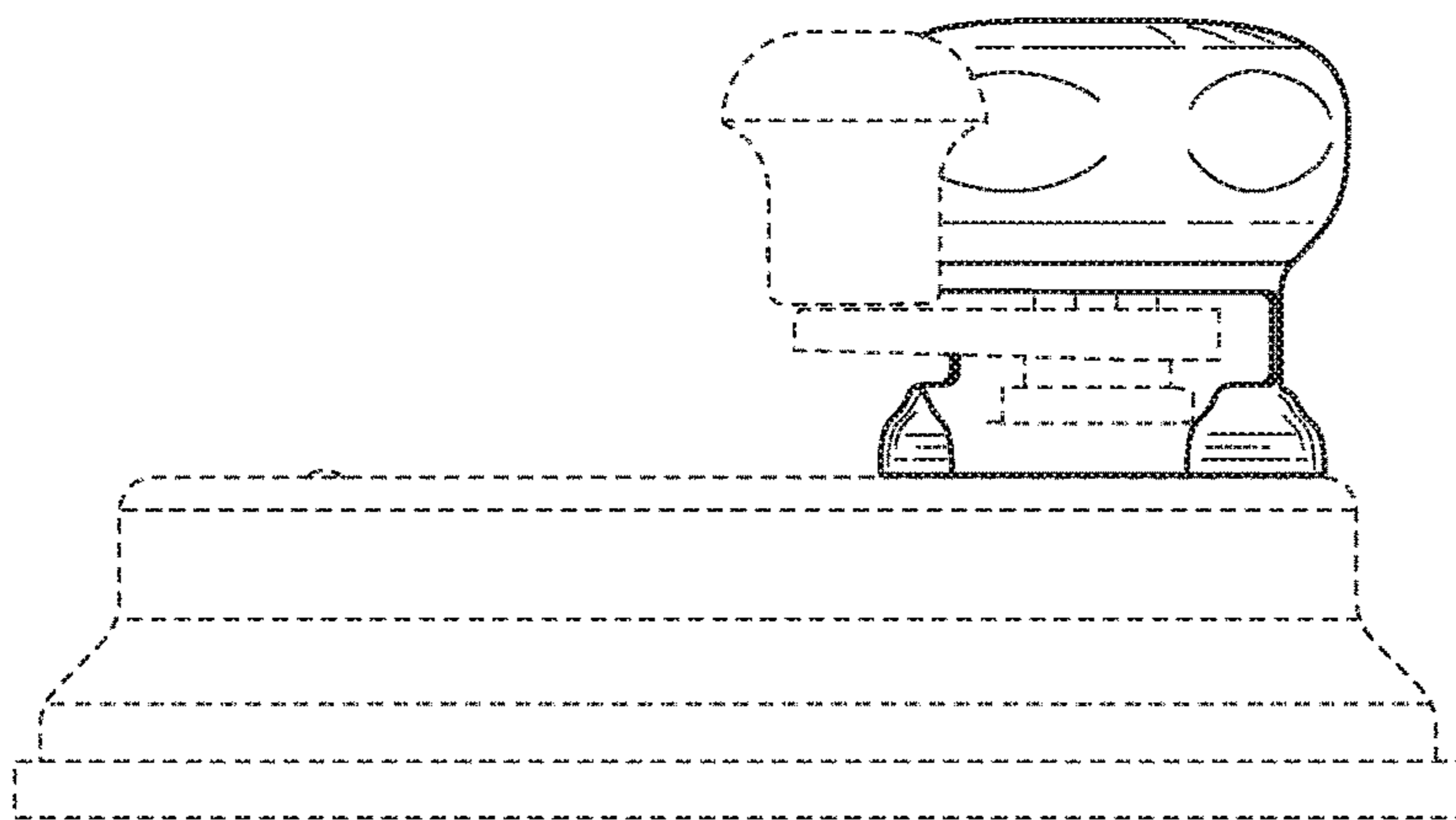


FIG. 5

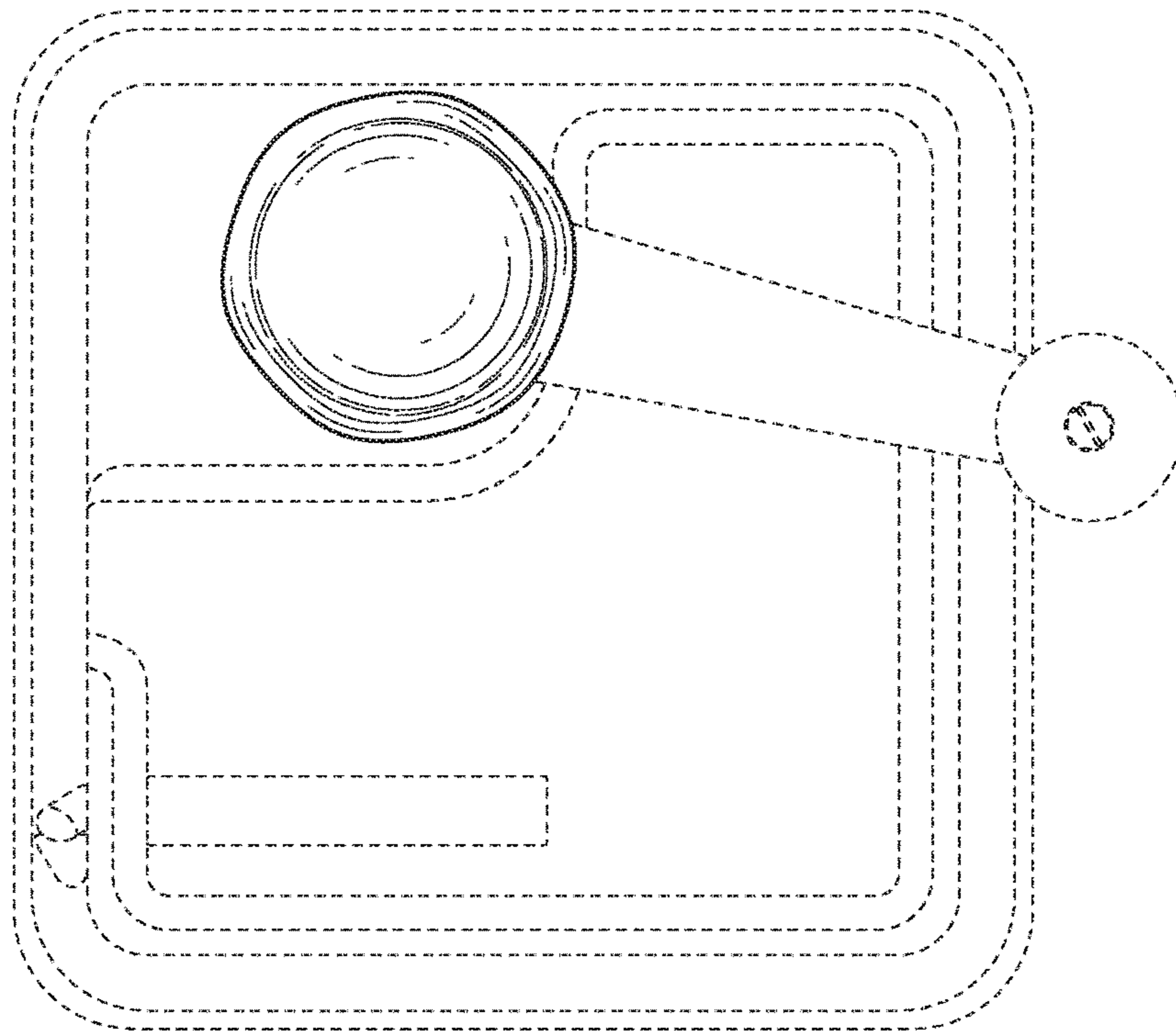


FIG. 6

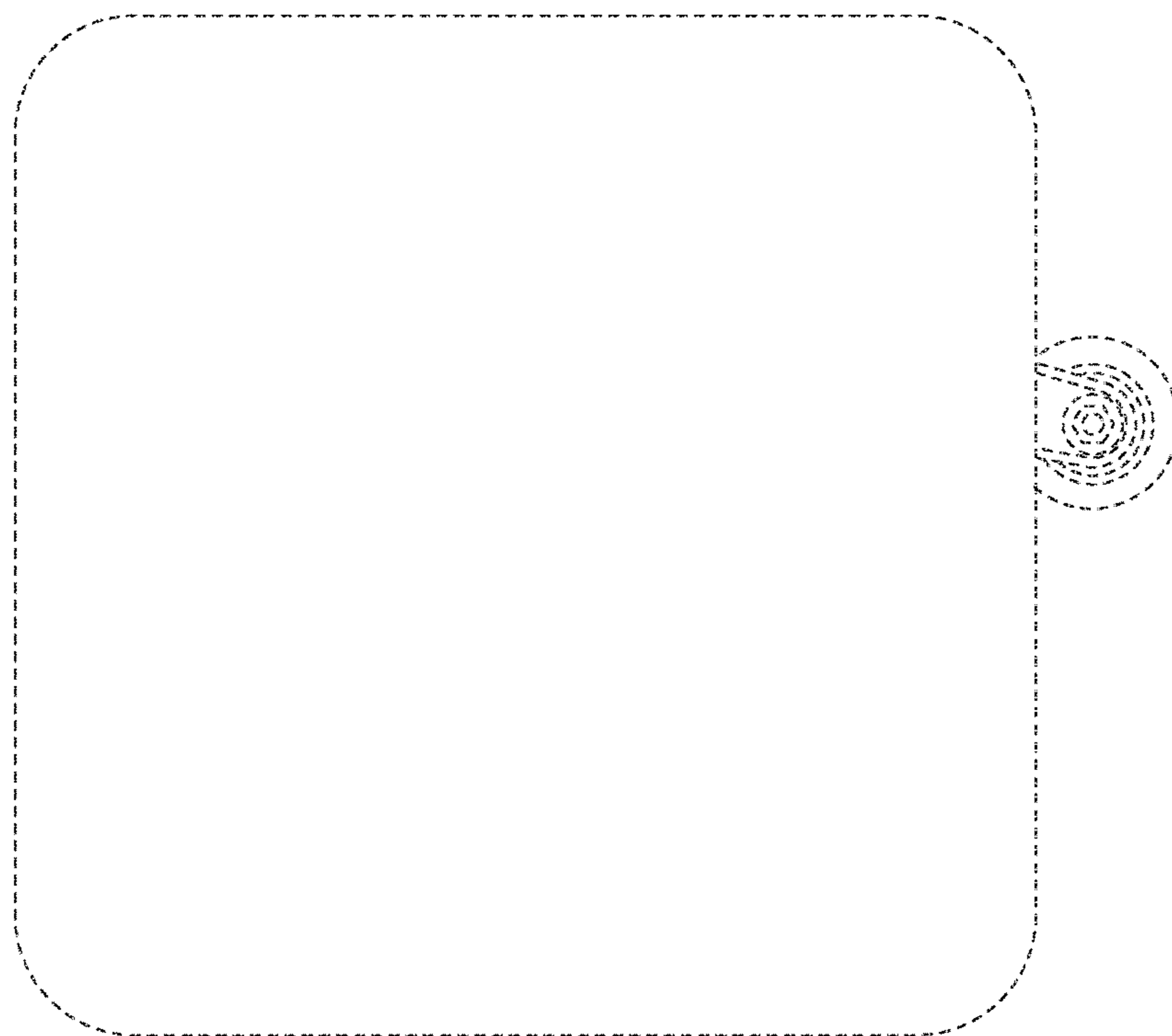


FIG. 7