



US00D849993S

(12) **United States Design Patent** (10) **Patent No.:** **US D849,993 S**
Tucker et al. (45) **Date of Patent:** **** May 28, 2019**

(54) **ELECTRONIC SMOKING ARTICLE**

(71) Applicant: **Altria Client Services LLC**,
Richmond, VA (US)

(72) Inventors: **Christopher S. Tucker**, Midlothian, VA
(US); **Geoffrey Brandon Jordan**,
Midlothian, VA (US); **Barry S. Smith**,
Hopewell, VA (US); **Ali Rostami**,
Richmond, VA (US)

(73) Assignee: **ALTRIA CLIENT SERVICES**,
Richmond, VA (US)

(**) Term: **15 Years**

(21) Appl. No.: **29/557,503**

(22) Filed: **Mar. 9, 2016**

Related U.S. Application Data

(60) Continuation-in-part of application No. 29/554,836,
filed on Feb. 16, 2016, which is a continuation of
(Continued)

(51) **LOC (11) Cl.** **27-01**

(52) **U.S. Cl.**
USPC **D27/101**

(58) **Field of Classification Search**
USPC D27/103-105, 108, 125, 172, 174-176,
D27/183, 186-192, 194, 100, 101, 170,
D27/163-165, 184, 185; D34/2;
206/242-276; D3/11, 215, 220, 226-230,
D3/265, 266; 4/258, 259, 267, 271, 283;
131/270-273, 329, 330, 194, 189, 347,
131/360-365; D24/110, 113; D19/77,
D19/81, 84; D28/73-77, 83, 85
(Continued)

(56) **References Cited**

U.S. PATENT DOCUMENTS

539,839 A 5/1895 Voron, I
1,013,157 A 1/1912 Hadaway, Jr.
(Continued)

FOREIGN PATENT DOCUMENTS

BE 421623 A 6/1937
CN 87104459 A 2/1988
(Continued)

OTHER PUBLICATIONS

Certificate of Registration for Community Design No. 001025779-
0001 which was published in Community Design Bulletin No.
2008/243 on Nov. 19, 2008.

(Continued)

Primary Examiner — Janice Hallmark
(74) *Attorney, Agent, or Firm* — Harness, Dickey &
Pierce, PLC

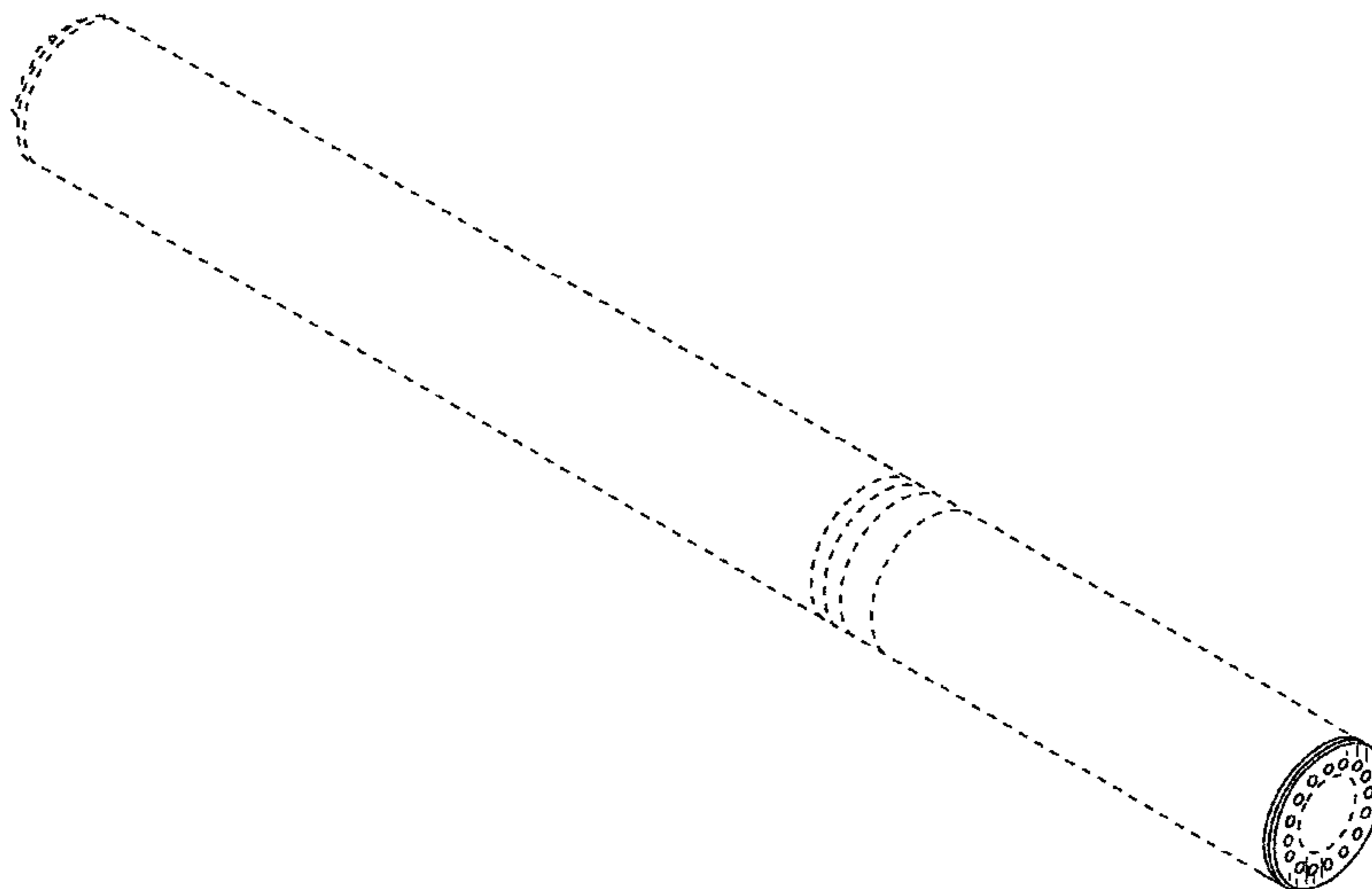
(57) **CLAIM**

The ornamental design for an electronic smoking article, as
shown and described.

DESCRIPTION

FIG. 1 is a perspective view of an electronic smoking article
showing our new design.
FIG. 2 is side elevational view thereof, the other side being
a mirror image.
FIG. 3 is an end elevational view thereof; and,
FIG. 4 is cross-sectional view taken along the line 4-4 shown
in FIG. 3.
The dash-dash broken lines in the drawings illustrate por-
tions of the electronic smoking article.
The dash-dot-dash broken lines in FIG. 4 depict bounds of
the claimed design. All broken lines form no part of the
claimed design.

1 Claim, 2 Drawing Sheets



Related U.S. Application Data

application No. 29/511,909, filed on Dec. 15, 2014, now Pat. No. Des. 750,319, which is a division of application No. 29/469,741, filed on Oct. 14, 2013, now Pat. No. Des. 722,196, which is a division of application No. 29/443,134, filed on Jan. 14, 2013, now Pat. No. Des. 691,765.

- (58) **Field of Classification Search**
 CPC A24F 47/00; A24F 47/002; A24F 47/004; A24F 47/006; A24F 47/008
 See application file for complete search history.

(56) **References Cited**

U.S. PATENT DOCUMENTS

1,514,682 A	11/1924	Wilson	4,256,945 A	3/1981	Carter et al.
1,771,366 A	7/1930	Wyss et al.	4,259,970 A	4/1981	Green, Jr.
1,968,509 A	7/1934	Tiffany	4,331,166 A	5/1982	Hale
2,057,353 A	10/1936	Whittlemore, Jr.	4,340,072 A	7/1982	Bolt et al.
2,104,266 A	1/1938	McCormick	D270,097 S	8/1983	Minkevitch
D125,122 S	2/1941	Urben	4,419,302 A	12/1983	Nishino et al.
2,406,275 A	8/1946	Wejnarth	4,457,319 A	7/1984	Lamb et al.
2,442,004 A	5/1948	Hayward-Butt	4,493,331 A	1/1985	Porenski, Jr.
2,558,127 A	6/1951	Downs	4,517,996 A	5/1985	Vester
2,836,183 A	5/1958	Fay et al.	4,649,944 A	3/1987	Houck, Jr. et al.
2,907,686 A	10/1959	Siegel	4,687,008 A	8/1987	Houck, Jr. et al.
2,971,039 A	2/1961	Western	4,765,347 A	8/1988	Sensabaugh, Jr. et al.
2,972,557 A	2/1961	Toulmin, Jr.	4,804,002 A	2/1989	Herron
2,974,669 A	3/1961	Ellis	4,941,486 A	7/1990	Dube et al.
D193,753 S	10/1962	Watts et al.	4,945,929 A	8/1990	Egilmex
3,062,218 A	11/1962	Temkovits	4,981,522 A	1/1991	Nichols et al.
3,200,819 A	8/1965	Gilbert	4,991,606 A	2/1991	Serrano et al.
3,255,760 A	6/1966	Selker	5,016,656 A	5/1991	McMurtrie
3,258,015 A	6/1966	Ellis et al.	5,040,552 A	8/1991	Schleich et al.
3,356,094 A	12/1967	Ellis et al.	5,042,510 A	8/1991	Curtiss et al.
3,363,633 A	1/1968	Weber	5,045,237 A	9/1991	Washburn
3,396,733 A	8/1968	Allseits et al.	5,060,671 A	10/1991	Counts et al.
3,402,723 A	9/1968	Hu	5,076,296 A	12/1991	Nystrom et al.
3,482,580 A	12/1969	Hollabaugh	5,085,804 A	2/1992	Washburn
3,521,643 A	7/1970	Toth	5,093,894 A	3/1992	Deevi et al.
3,559,300 A	2/1971	Fox	5,095,921 A	3/1992	Losee et al.
3,587,573 A	6/1971	Flack	5,116,298 A	5/1992	Bondanelli et al.
3,608,560 A	9/1971	Briskin et al.	5,137,578 A	8/1992	Chan
D223,879 S	6/1972	Chernack	5,139,594 A	8/1992	Rabin
3,681,018 A	8/1972	Karl-Georg et al.	5,144,962 A	9/1992	Counts et al.
3,720,235 A	3/1973	Schrock	5,144,964 A	9/1992	Demain
3,738,374 A	6/1973	Bennett	5,157,242 A	10/1992	Hetherington et al.
3,744,496 A	7/1973	McCarty et al.	5,159,940 A	11/1992	Hayward et al.
D229,725 S	12/1973	Berger	5,179,966 A	1/1993	Losee et al.
D229,788 S	1/1974	Berger	5,224,498 A	7/1993	Deevi et al.
D229,789 S	1/1974	Berger	5,228,460 A	7/1993	Sprinkel et al.
D229,790 S	1/1974	Berger	5,235,157 A	8/1993	Blackburn
3,789,840 A	2/1974	Rosenblatt	5,249,586 A	10/1993	Morgan et al.
3,804,100 A	4/1974	Fariello	5,269,327 A	12/1993	Counts et al.
3,875,476 A	4/1975	Crandall et al.	5,274,214 A	12/1993	Blackburn
3,878,041 A	4/1975	Leitnaker et al.	5,285,050 A	2/1994	Blackburn
3,886,954 A	6/1975	Hannema et al.	5,322,075 A	6/1994	Deevi et al.
3,889,690 A	6/1975	Guarnieri	5,353,813 A	10/1994	Deevi et al.
3,895,219 A	7/1975	Richerson et al.	5,369,723 A	11/1994	Counts et al.
3,943,941 A	3/1976	Boyd et al.	5,388,594 A	2/1995	Counts et al.
D240,541 S	7/1976	Rupert	5,396,911 A	3/1995	Casey, III et al.
4,016,061 A	4/1977	Wasa et al.	5,408,574 A	4/1995	Deevi et al.
4,068,672 A	1/1978	Guerra	5,473,251 A	12/1995	Mori
4,077,784 A	3/1978	Vayrynen	5,498,855 A	3/1996	Deevi et al.
4,083,372 A	4/1978	Boden	5,505,214 A	4/1996	Collins et al.
4,098,725 A	7/1978	Yamamoto et al.	D375,159 S	10/1996	Johansson
4,110,260 A	8/1978	Yamamoto et al.	5,591,368 A	1/1997	Fleischhauer et al.
4,131,119 A	12/1978	Blasutti	5,592,955 A	1/1997	Keritsis
4,141,369 A	2/1979	Burruss	5,595,706 A	1/1997	Sikka et al.
4,164,230 A	8/1979	Pearlman	5,611,360 A	3/1997	Tang
4,193,411 A	3/1980	Faris et al.	5,613,504 A	3/1997	Collins et al.
4,209,026 A	6/1980	Dock	5,724,997 A	3/1998	Smith et al.
4,215,708 A	8/1980	Bron	5,743,251 A	4/1998	Howell et al.
4,219,032 A	8/1980	Tabatznik et al.	5,865,185 A	2/1999	Collins et al.
4,246,913 A	1/1981	Ogden et al.	5,878,752 A	3/1999	Adams et al.
			5,935,975 A	8/1999	Rose et al.
			6,155,268 A	12/2000	Takeuchi
			6,196,218 B1	3/2001	Voges
			D453,854 S	2/2002	Verhoeven-Koster
			6,598,607 B2	7/2003	Adiga et al.
			6,715,487 B2	4/2004	Nichols et al.
			6,772,756 B2	8/2004	Shayan
			6,854,470 B1	2/2005	Pu
			7,131,599 B2	11/2006	Katase
			7,167,641 B2	1/2007	Tam et al.
			7,458,374 B2	12/2008	Hale et al.
			D590,988 S	4/2009	Hon
			D590,989 S	4/2009	Hon
			D590,990 S	4/2009	Hon
			D590,991 S	4/2009	Hon
			D613,902 S	4/2010	Kaljura
			D614,346 S	4/2010	Lik
			7,726,320 B2	6/2010	Robinson et al.
			D623,351 S	9/2010	Kirkeby

(56)

References Cited

U.S. PATENT DOCUMENTS

D624,238 S	9/2010	Turner	2002/0005207 A1	1/2002	Wrenn et al.
7,789,089 B2	9/2010	Dube et al.	2004/0020500 A1	2/2004	Wrenn et al.
7,810,508 B2	10/2010	Wyss-Peters et al.	2004/0099266 A1	5/2004	Cross et al.
7,832,410 B2	11/2010	Hon	2005/0016550 A1	1/2005	Katase
7,845,359 B2	12/2010	Montaser	2005/0016553 A1	1/2005	Lannuzzi
7,878,962 B2	2/2011	Karles et al.	2005/0175331 A1	8/2005	Tam et al.
D638,194 S	5/2011	Lichstein	2006/0191546 A1	8/2006	Takano et al.
7,938,124 B2	5/2011	Izumiya et al.	2006/0196518 A1	9/2006	Hon
D642,330 S	7/2011	Turner	2006/0254604 A1	11/2006	Martinez Fernandez
7,997,280 B2	8/2011	Rosenthal	2007/0095357 A1	5/2007	Besso et al.
D646,431 S	10/2011	Awty et al.	2007/0267031 A1	11/2007	Hon
D651,338 S	12/2011	Awty et al.	2007/0267032 A1	11/2007	Shan
8,079,371 B2	12/2011	Robinson et al.	2008/0092912 A1	4/2008	Robinson et al.
D652,987 S	1/2012	Kaljura	2008/0230052 A1	9/2008	Montaser
D653,390 S	1/2012	Kaljura	2008/0276947 A1	11/2008	Martzel
D653,802 S	2/2012	Kaljura	2009/0007925 A1	1/2009	Rasouli et al.
D655,036 S	2/2012	Zhou	2009/0044816 A1	2/2009	Rasouli et al.
8,118,161 B2	2/2012	Guerrera et al.	2009/0126745 A1	5/2009	Hon
8,127,772 B2	3/2012	Montaser	2009/0151717 A1	6/2009	Bowen et al.
8,156,944 B2	4/2012	Han	2009/0162294 A1	6/2009	Werner
8,157,918 B2	4/2012	Becker et al.	2009/0188490 A1	7/2009	Han
D662,257 S	6/2012	Alelov	2009/0230117 A1	9/2009	Fernando et al.
8,205,622 B2	6/2012	Pan	2009/0272379 A1	11/2009	Thorens et al.
D666,355 S	8/2012	Alelov	2010/0031968 A1	2/2010	Sheikh et al.
8,314,591 B2	11/2012	Terry et al.	2010/0083959 A1	4/2010	Siller
D685,522 S	7/2013	Potter et al.	2010/0126505 A1	5/2010	Rinker
8,495,998 B2	7/2013	Schennum	2010/0200008 A1	8/2010	Taieb
8,499,766 B1	8/2013	Newton	2010/0206317 A1	8/2010	Albino et al.
8,539,959 B1	9/2013	Scatterday	2010/0307518 A1	12/2010	Wang
D691,324 S	10/2013	Saliman	2011/0011396 A1	1/2011	Fang
D691,765 S	10/2013	Tucker et al.	2011/0036346 A1	2/2011	Cohen et al.
D691,766 S	10/2013	Tucker et al.	2011/0036353 A1	2/2011	Urtsev et al.
D692,613 S	10/2013	Morreale	2011/0036363 A1	2/2011	Urtsev et al.
8,550,068 B2	10/2013	Terry et al.	2011/0088707 A1	4/2011	Hajaligol
D695,449 S	12/2013	Tucker et al.	2011/0094523 A1	4/2011	Thorens et al.
D722,196 S	2/2015	Tucker et al.	2011/0120455 A1	5/2011	Murphy
D724,262 S	3/2015	Hearn et al.	2011/0120482 A1	5/2011	Brenneise
D724,781 S	3/2015	Hearn et al.	2011/0155153 A1	6/2011	Thorens et al.
D725,822 S	3/2015	Liu	2011/0209717 A1	9/2011	Han
D726,364 S	4/2015	Weigensberg	2011/0220134 A1	9/2011	Duke et al.
D726,365 S	4/2015	Weigenberg	2011/0232654 A1	9/2011	Mass
D727,564 S	4/2015	LaForge et al.	2011/0245493 A1	10/2011	Rabinowitz et al.
D727,565 S	4/2015	LaForge et al.	2011/0265806 A1	11/2011	Alarcon et al.
D728,154 S	4/2015	Lavanchy et al.	2011/0277756 A1	11/2011	Terry et al.
9,004,073 B2	4/2015	Tucker et al.	2011/0277757 A1	11/2011	Terry et al.
D728,852 S	5/2015	Hearn et al.	2011/0277760 A1	11/2011	Terry et al.
D729,439 S	5/2015	Scatterday	2011/0277761 A1	11/2011	Terry et al.
D738,036 S	9/2015	Tucker et al.	2011/0277764 A1	11/2011	Terry et al.
D738,566 S	9/2015	Tucker et al.	2011/0277780 A1	11/2011	Terry et al.
D738,567 S	9/2015	Tucker et al.	2011/0303231 A1	12/2011	Li et al.
D743,097 S *	11/2015	Tucker D27/101	2011/0304282 A1	12/2011	Li et al.
D748,323 S *	1/2016	Tucker D27/101	2012/0006342 A1	1/2012	Rose et al.
D749,780 S *	2/2016	Bramley D27/169	2012/0090629 A1	4/2012	Turner et al.
D750,834 S	3/2016	Wei	2012/0111347 A1	5/2012	Hon
D750,835 S	3/2016	Wei	2012/0118301 A1	5/2012	Montaser
D753,872 S	4/2016	Mittersinker et al.	2012/0145169 A1	6/2012	Wu
D754,919 S	4/2016	Alarcon et al.	2012/0167906 A1	7/2012	Gysland
D756,564 S *	5/2016	Yerkic-Husejnovic D27/194	2012/0186593 A1 *	7/2012	Grano A24D 3/041 131/202
D759,296 S	6/2016	Abroff et al.	2012/0186594 A1	7/2012	Liu
D763,503 S *	8/2016	Bramley D27/101	2012/0199146 A1	8/2012	Marangos
D767,820 S	9/2016	Jordan et al.	2012/0199663 A1	8/2012	Qiu
D767,822 S	9/2016	Jordan et al.	2012/0211015 A1	8/2012	Li et al.
D770,086 S *	10/2016	Tucker D27/101	2012/0230659 A1	9/2012	Goodman et al.
D770,676 S	11/2016	Bennett et al.	2012/0260927 A1	10/2012	Liu
D774,693 S	12/2016	Liu	2012/0285475 A1	11/2012	Liu
D779,725 S *	2/2017	Bramley D27/170	2012/0312313 A1	12/2012	Frija
D780,993 S *	3/2017	Bramley D27/170	2012/0318283 A1	12/2012	Watanabe et al.
D782,108 S *	3/2017	Jordan D27/167	2012/0318882 A1	12/2012	Abehasera
D797,369 S	9/2017	Yamada et al.	2013/0014772 A1	1/2013	Liu
D797,990 S *	9/2017	Hawes D27/162	2013/0019887 A1	1/2013	Liu
D798,447 S	9/2017	Leather	2013/0025609 A1	1/2013	Liu
D802,207 S	11/2017	Bramley et al.	2013/0032159 A1	2/2013	Capuano
D803,475 S	11/2017	Scheiber	2013/0081642 A1	4/2013	Safari
D804,090 S	11/2017	Verleur et al.	2013/0118509 A1	5/2013	Richardson
D804,091 S	11/2017	Fornarelli	2013/0192623 A1	8/2013	Tucker et al.
			2013/0213418 A1	8/2013	Tucker et al.
			2013/0213419 A1	8/2013	Tucker et al.
			2014/0238421 A1	8/2014	Shapiro

(56)

References Cited

U.S. PATENT DOCUMENTS

2016/0044964 A1 2/2016 Liu
 2016/0143354 A1 5/2016 Liu
 2016/0183589 A1 6/2016 Born et al.
 2016/0235115 A1 8/2016 Han

FOREIGN PATENT DOCUMENTS

CN 1016567 B 5/1992
 CN 277799 5/2006
 CN 2777995 Y 5/2006
 CN 101322579 A 12/2008
 CN 201571500 U 9/2010
 CN 201709398 U 1/2011
 CN 201789924 U 4/2011
 CN 201797997 U 4/2011
 CN 102106611 A 6/2011
 CN 201860753 U 6/2011
 CN 102166044 A 8/2011
 CN 201986689 U 9/2011
 CN 202014571 10/2011
 CN 202014571 U 10/2011
 CN 202014572 U 10/2011
 CN 202026802 10/2011
 CN 202026802 U 11/2011
 CN 202026804 U 11/2011
 CN 20223305 U 5/2012
 CN 20223307 5/2012
 CN 20223307 U 5/2012
 DE 3640917 A1 8/1988
 DE 3735704 A1 5/1989
 EM 000054630-00 9/2003
 EM 000054630-0002 9/2003
 EM 000084876-0001 1/2004
 EM 000084876-0002 1/2004
 EM 000084876-0003 1/2004
 EM 000084876-0004 1/2004
 EM 000084876-0005 1/2004
 EM 000084876-0006 1/2004
 EM 000084876-0007 1/2004
 EM 000084876-0008 1/2004
 EM 000084876-0009 1/2004
 EM 000084876-0010 1/2004
 EM 000084876-0011 1/2004
 EM 000084876-0012 1/2004
 EM 000084876-0013 1/2004
 EM 000084876-0014 1/2004
 EM 000084876-0015 1/2004
 EM 000084876-0016 1/2004
 EM 000084876-0017 1/2004
 EM 002272559-0007 7/2013
 EP 0893071 A1 7/1908
 EP 0117355 A2 9/1984
 EP 0277519 A2 8/1988
 EP 0295122 A2 12/1988
 EP 0358 002 A2 3/1990
 EP 0358002 A2 3/1990
 EP 0358114 A2 3/1990
 EP 0430566 A2 6/1991
 EP 0438862 A2 7/1991
 EP 0608783 A1 8/1994
 EP 0845220 A1 6/1998
 EP 0893071 A1 1/1999
 EP 1128741 A1 9/2001
 EP 1618803 A1 1/2006
 EP 1736065 A1 12/2006
 EP 2113178 A1 11/2009
 NL 8201585 A 11/1982
 WO WO-86/02528 A1 5/1986
 WO WO-95/02970 A1 2/1995
 WO WO-00/28843 A1 5/2000
 WO WO-2004/043175 A1 5/2004
 WO WO-2004/080216 A1 9/2004
 WO WO-2004/095955 A1 11/2004
 WO WO-2005/099494 A1 10/2005
 WO WO-2007/066374 A1 6/2007

WO WO-2007/078273 A1 7/2007
 WO WO-2007/098337 A2 8/2007
 WO WO-2007/131449 A1 11/2007
 WO WO-2007/131450 A1 11/2007
 WO WO-2007/141668 A2 12/2007
 WO WO-2008/055423 A1 5/2008
 WO WO-2010/091593 A1 8/2010
 WO WO-2010/145468 A1 12/2010
 WO WO-2011/121326 A2 10/2011
 WO WO-2011/124033 A1 10/2011
 WO WO-2011/146372 A2 11/2011
 WO WO-2012/088675 A1 7/2012
 WO WO-2012/109371 A2 8/2012
 WO WO-2012/129787 A1 10/2012
 WO WO-2012/129812 A1 10/2012
 WO WO-2012/142293 A2 10/2012

OTHER PUBLICATIONS

Certificate of Registration for Community Design No. 000054630-0001 which was published in Community Design Bulletin No. 2003/017 on Sep. 30, 2003.
 Certificate of Registration for Community Design No. 000054630-0002 which was published in Community Design Bulletin No. 2003/017 on Sep. 30, 2003.
 Office Actipn for corresponding U.S. Appl. No. 29/554,836 dated Dec. 15, 2017.
 Brazilian Intermediary Opinion and Office Action for corresponding Brazilian Application No. BR302013003369-4 dated Feb. 21, 2018. <http://cigatronico.blogspot.com.br> (visited on Jan. 8, 2016).
 International Search Report and Written Opinion for PCT/US13/24211 dated Mar. 19, 2013. (10 pages).
 International Search Report and Written Opinion for PCT/US13/24219 dated Mar. 14, 2013. (13 pages).
 International Search Report and Written Opinion for PCT/US13/24229 dated Mar. 19, 2013. (16 pages).
 International Search Report and Written Opinion for PCT/US13/24215 dated Mar. 19, 2013. (11 pages).
 International Search Report and Written Opinion for PCT/US13/24228 dated Mar. 21, 2013. (8 pages).
 Office Action for corresponding Canadian Application No. 156127 dated Oct. 4, 2014.
 “Cigarro eletrônico 6pcs Cartuchos a pronta entrega para todo o brasil!!!”, Forquilha, CE, Brasil, Oct. 22, 2011, pp. 1-3.
 European Document No. 001025779-0001, Timmermans, Ludovicus Josephine F., Office for Harmonization in the Internal Market (OHIM), Aug. 27, 2015, pp. 1-3.
 European Document No. 000054630-0001, Verhoeven-Kostner, Bernardina Maria, Office for Harmonization in the Internal Market (OHIM), Aug. 31, 2015, pp. 1-3.
 International Search Report and Written Opinion for PCT/US13/24211 dated Mar. 19, 2013.
 International Search Report and Written Opinion for PCT/US13/24219 dated Mar. 14, 2013.
 International Search Report and Written Opinion for PCT/US13/24229 dated Mar. 19, 2013.
 International Search Report and Written Opinion for PCT/US13/24215 dated Mar. 19, 2013.
 International Search Report and Written Opinion for PCT/US13/24228 dated Mar. 21, 2013.
 Office Action for corresponding Canadian Application No. 157560 dated Dec. 18, 2014.
<http://www.tecmundo.com.br/saude/11335-o-que-e-cigarro-eletronico-e-por-que-ele-e-proibido-.htm>.
<http://ciaoatronico.blogspot.com.br> (visited on Jan. 8, 2016).
<http://sergiolc.blogs.sapo.pt/175029.html> (visited on Oct. 19, 2015).
 Certificate of Registration for Community Design No. 001025779-0001 whcih was published in Community Design Bulletin No. 2008/243 on Nov. 19, 2008.
 Certificate of Registration for Community Design No. 000054630-0001 whcih was published in Community Design Bulletin No. 2003/017 on Sep. 30, 2003.

(56)

References Cited

OTHER PUBLICATIONS

Certificate of Registration for Community Design No. 000054630-0002 which was published in Community Design Bulletin No. 2003/017 on Sep. 30, 2003.
Brazilian Office Action dated May 9, 2016 issued in corresponding Brazilian Application No. 302014001648-2.
Brazilian Office Action and partial English translation thereof dated Sep. 5, 2016.
Russian Office Action dated Apr. 11, 2017 issued in corresponding Russian Application No. 2016503504/49.
U.S. Office Action dated Sep. 25, 2017 for corresponding U.S. Appl. No. 29/554,552.
Office Action for corresponding U.S. Appl. No. 29/557,503 dated Dec. 14, 2017.
Office Action for corresponding U.S. Appl. No. 29/554,836 dated Dec. 15, 2017.
U.S. Notice of Allowance for corresponding U.S. Appl. No. 29/554,326 dated Jan. 18, 2018.
U.S. Notice of Allowance for corresponding U.S. Appl. No. 29/553,863 dated Feb. 26, 2018.
Brazilian Intermediary Opinion for corresponding Brazilian Application No. BR302013003369-4 dated Feb. 21, 2018.

Brazilian Office Action and English translation thereof dated Feb. 21, 2018.
Brazilian Office Action dated Feb. 21, 2018 issued in corresponding Brazilian Application No. 2013003369-4.
Notice of Allowance issued Jul. 24, 2013 in U.S. Appl. No. 29/443128.
Notice of Allowance issued Sep. 29, 2015 in U.S. Appl. No. 29/469,749.
Notice of Allowance issued Feb. 9, 2018 in U.S. Appl. No. 29/554,326.
Canadian Office Action dated Dec. 18, 2014 issued in Canadian Patent Application No. 157560.
Notice of Allowance dated Jul. 19, 2013 in U.S. Appl. No. 29/443,136.
Notice of Allowance dated Sep. 25, 2015 in U.S. Appl. No. 29/469,750.
Notice of Allowance dated Jan. 14, 2016 in U.S. Appl. No. 29/473,662.
Notice of Allowance dated Jun. 28, 2016 in U.S. Appl. No. 29/473,662.
Notice of Allowance dated Jul. 6, 2017 in U.S. Appl. No. 29/580,456.
Notice of Allowance dated Jul. 20, 2018 issued in U.S. Appl. No. 29/553,863.
Notice of Allowance dated Feb. 26, 2018 issued in U.S. Appl. No. 29/553,863.

* cited by examiner

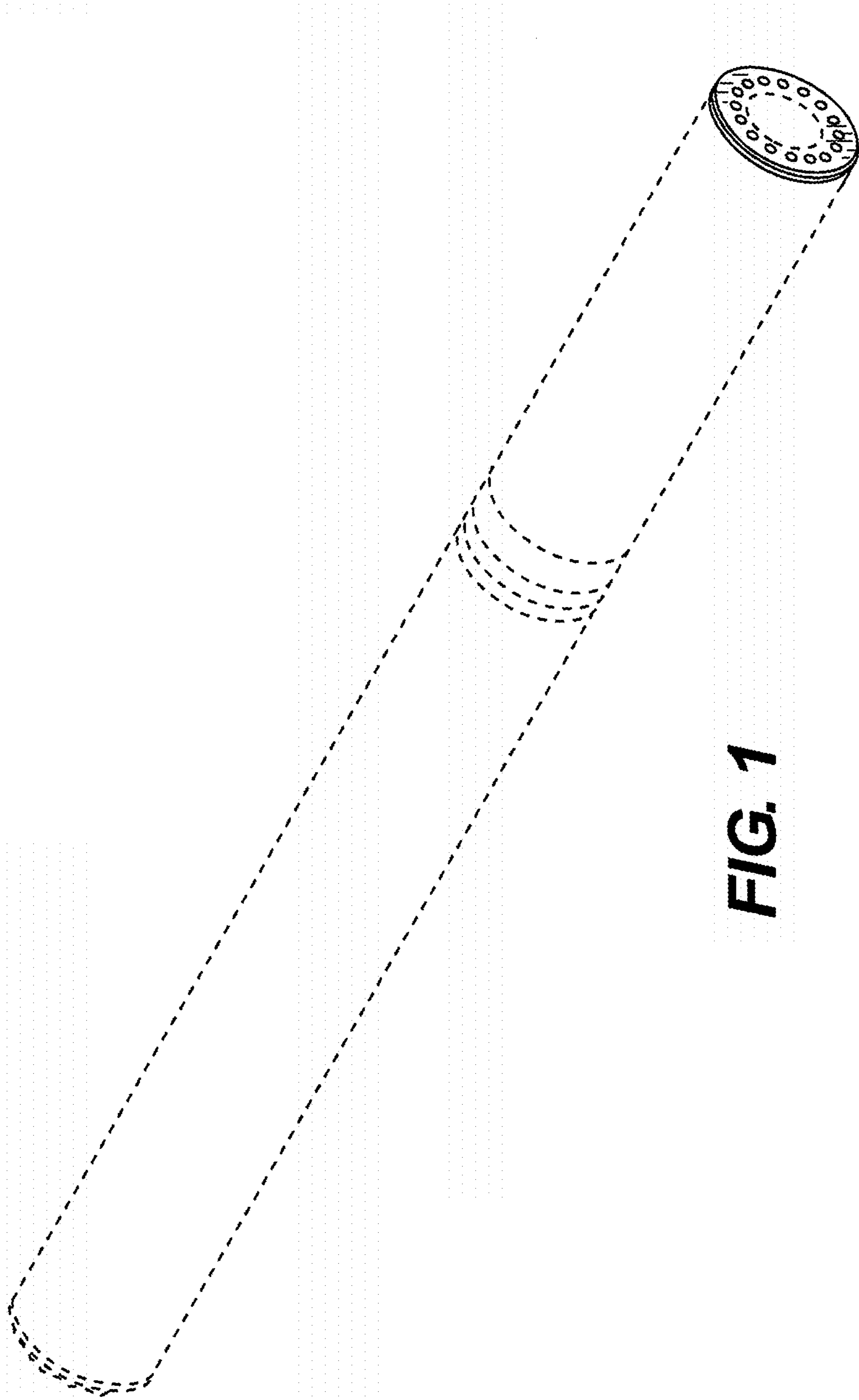


FIG. 1

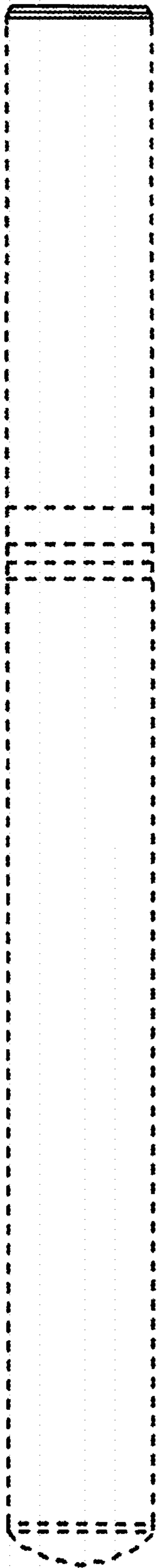


FIG. 2

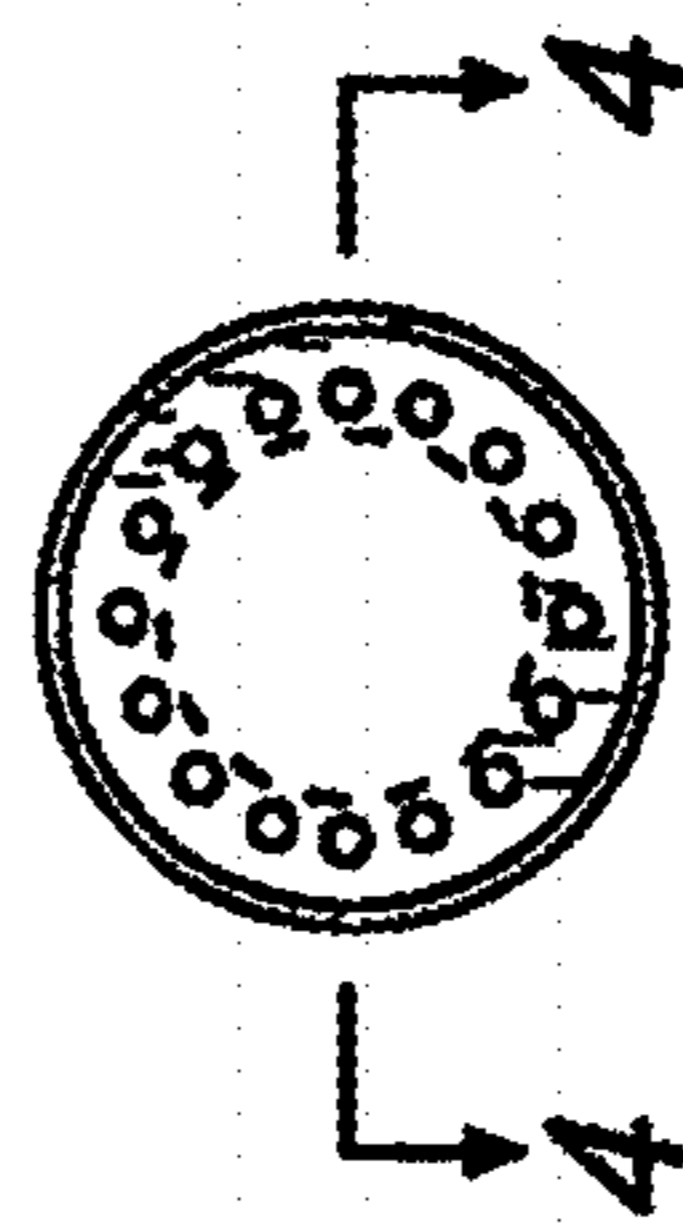


FIG. 3

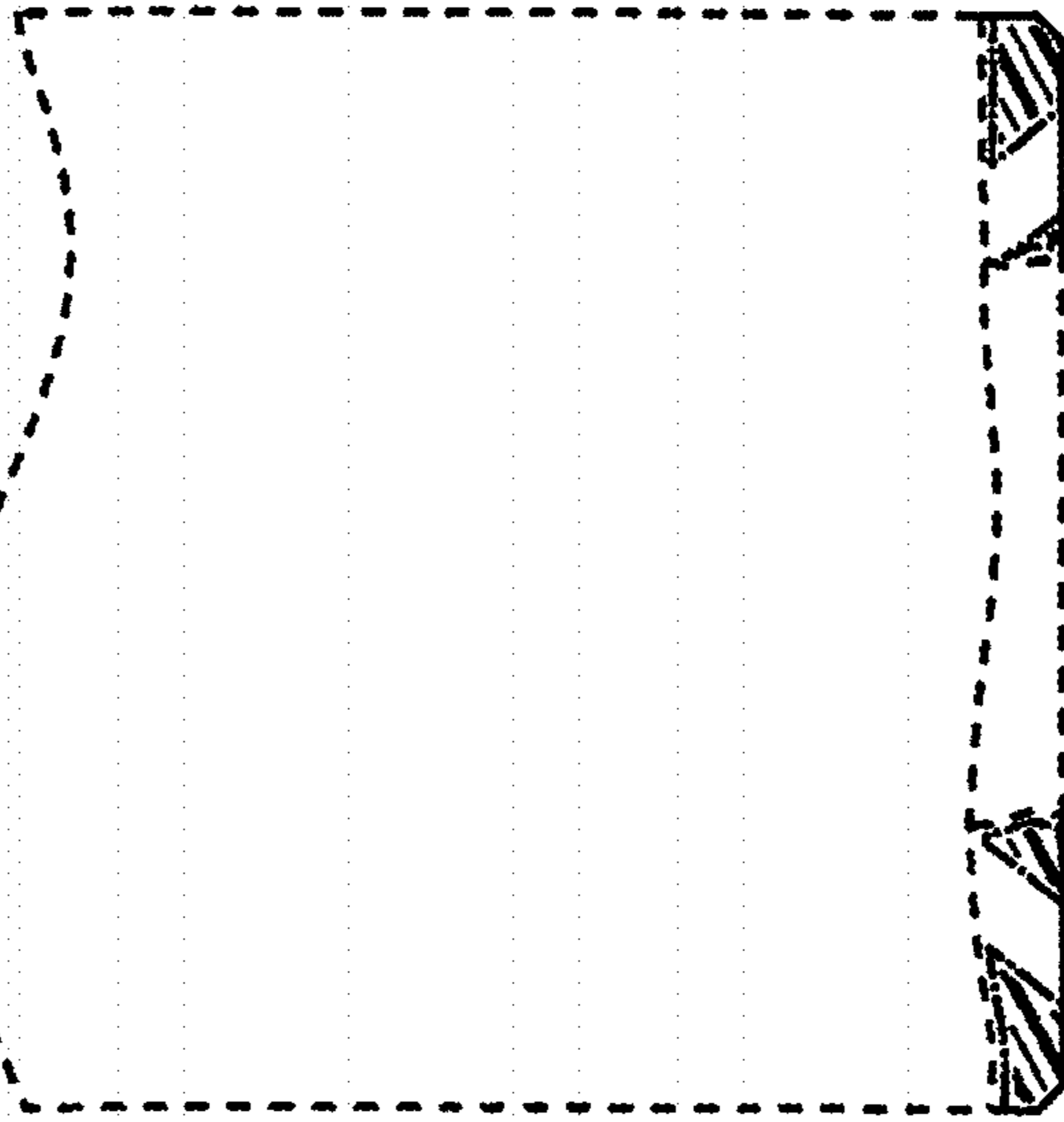


FIG. 4