



US00D849992S

(12) **United States Design Patent** (10) **Patent No.:** **US D849,992 S**
Deng (45) **Date of Patent:** **** May 28, 2019**

(54) **PANEL LIGHT**

(71) Applicant: **Dongguan Pan American Electronics Co., Ltd**, DongGuan, GuangDong (CN)

(72) Inventor: **Jinsheng Deng**, DongGuan (CN)

(73) Assignee: **DONGGUAN PAN AMERICAN ELECTRONICS CO., LTD.**, Dongguan (CN)

(**) Term: **15 Years**

(21) Appl. No.: **29/606,739**

(22) Filed: **Jun. 7, 2017**

(30) **Foreign Application Priority Data**

Mar. 1, 2017 (CN) 2017 3 0056035

(51) **LOC (11) Cl.** **26-99**

(52) **U.S. Cl.**
USPC **D26/120**

(58) **Field of Classification Search**
USPC ... D26/1, 11, 24, 26, 37, 38, 39, 67, 73, 74,
D26/85, 89, 93, 96, 104, 120, 126, 138,
D26/139, 140, 141, 142, 151, 152
CPC F21V 29/2262; F21V 7/06; F21V 21/044;
F21V 21/047; F21V 29/2212; F21V
29/2225; F21V 29/2256; F21V 29/2268;
F21Y 211/002; F21S 8/02; F21S 8/026
See application file for complete search history.

(56) **References Cited**

U.S. PATENT DOCUMENTS

D595,450 S *	6/2009	Ko	D26/120
D632,007 S *	2/2011	Kim	D26/120
D648,060 S *	11/2011	Yamamoto	D26/120
D707,879 S *	6/2014	Hamilton	D26/120
D804,711 S *	12/2017	Leadford	D26/120
D827,912 S *	9/2018	Momin	D26/120
D829,968 S *	10/2018	Momin	D26/120

* cited by examiner

Primary Examiner — Brian N. Vinson

(74) *Attorney, Agent, or Firm* — Ladas & Parry LLP

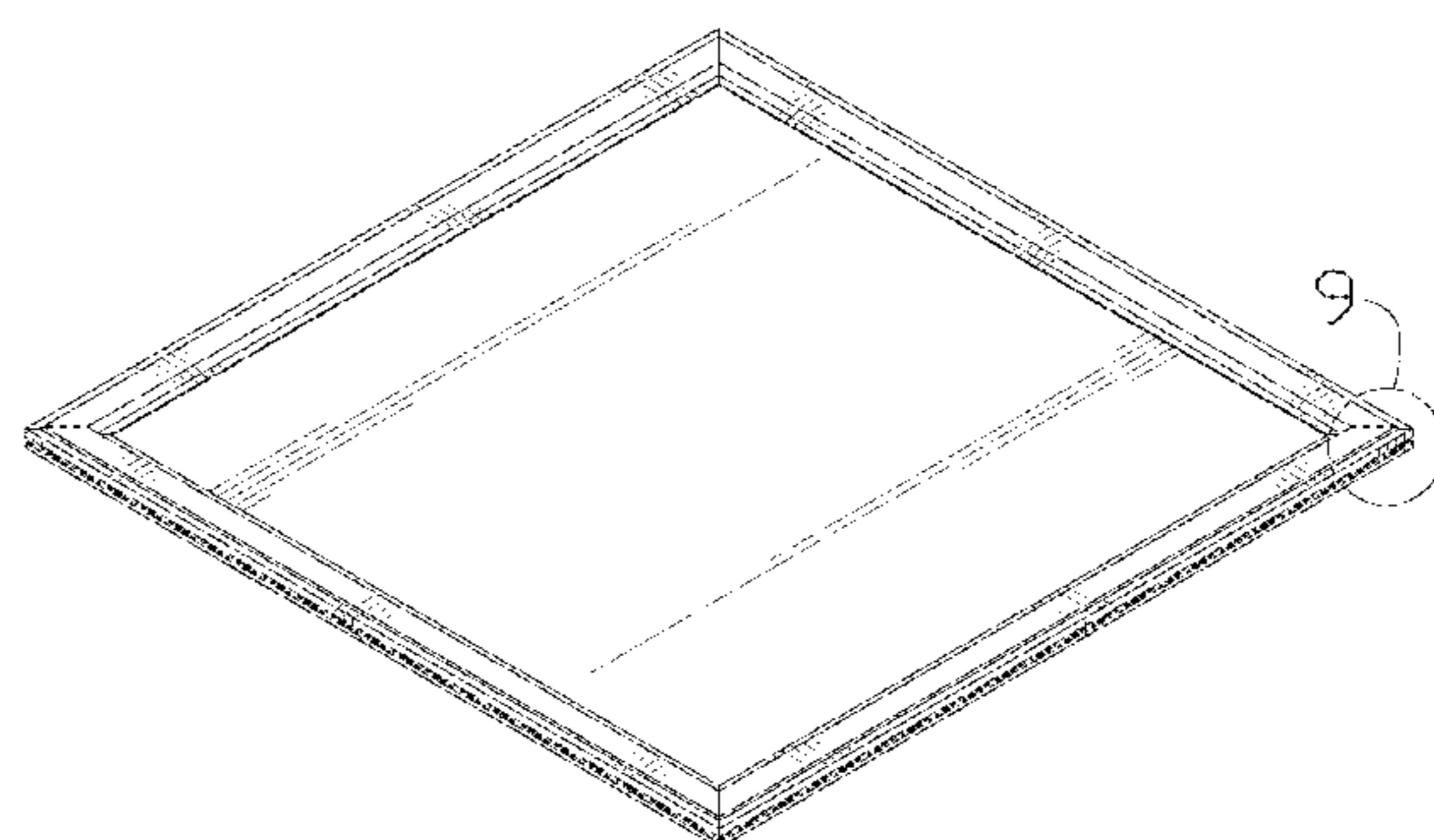
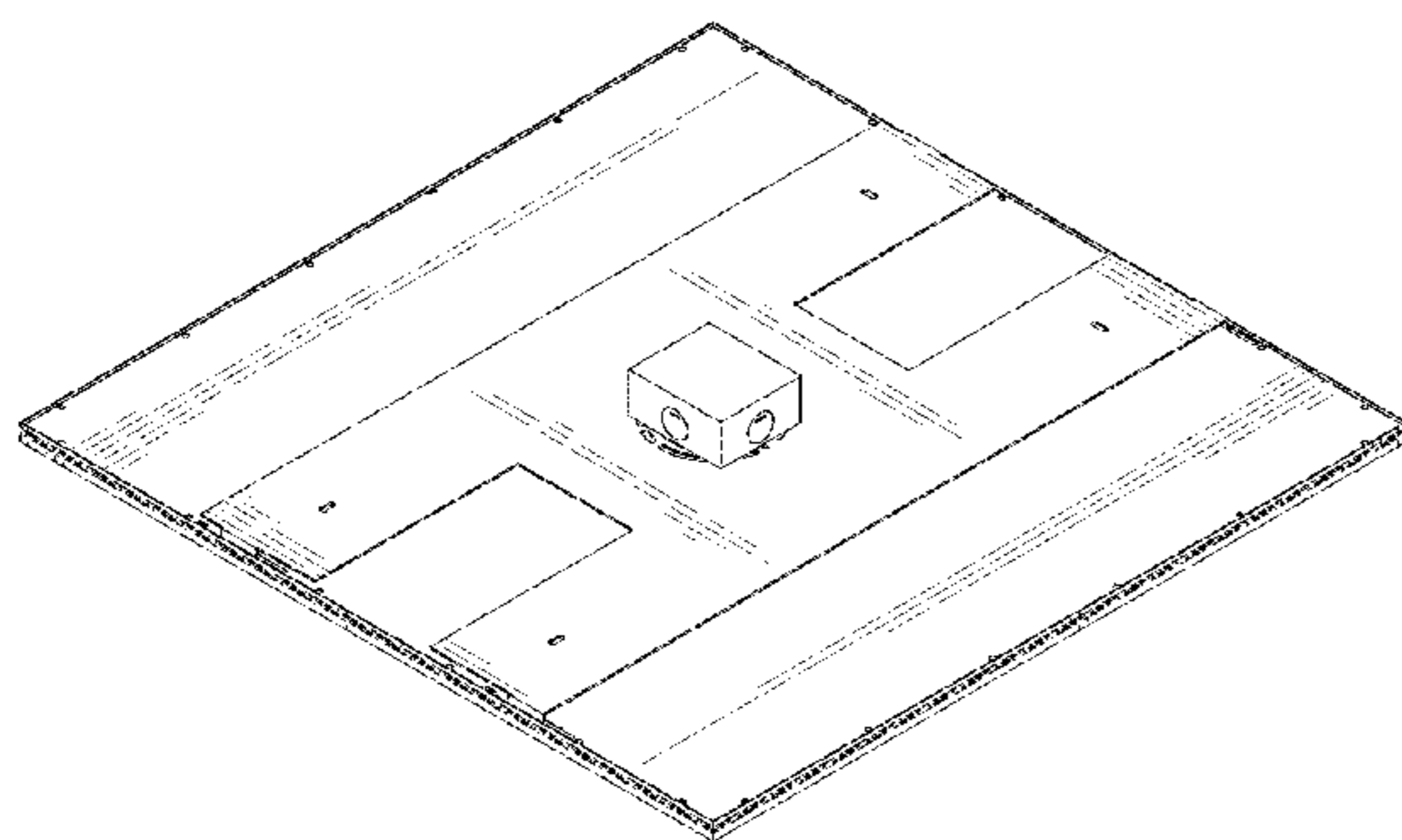
(57) **CLAIM**

The ornamental design for a panel light, as shown and described.

DESCRIPTION

FIG. 1 is a front elevational view of a panel light showing my new design;
FIG. 2 is a rear elevational view thereof;
FIG. 3 is a left-side elevational view thereof;
FIG. 4 is a right-side elevational view thereof;
FIG. 5 is a top plan view thereof;
FIG. 6 is a bottom plan view thereof;
FIG. 7 is a front, top, right perspective view thereof;
FIG. 8 is a rear, bottom, right perspective view thereof; and,
FIG. 9 is an enlarged view of detail 9 in FIG. 8.

1 Claim, 9 Drawing Sheets



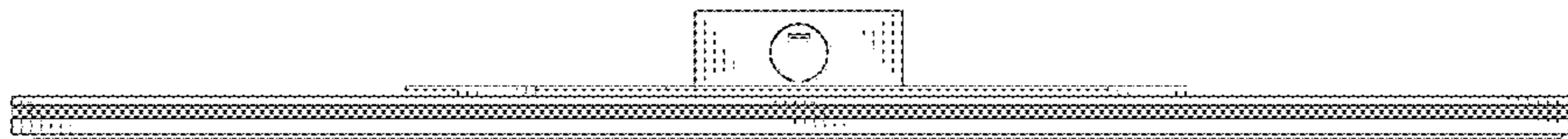


FIG. 1

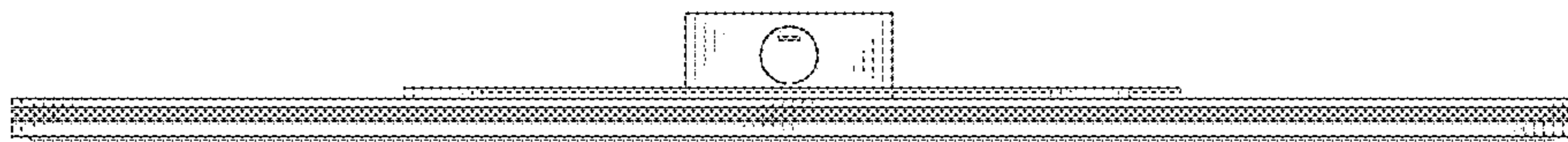


FIG. 2

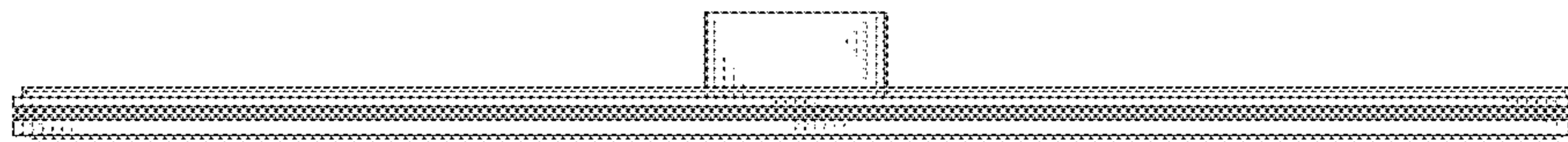


FIG. 3

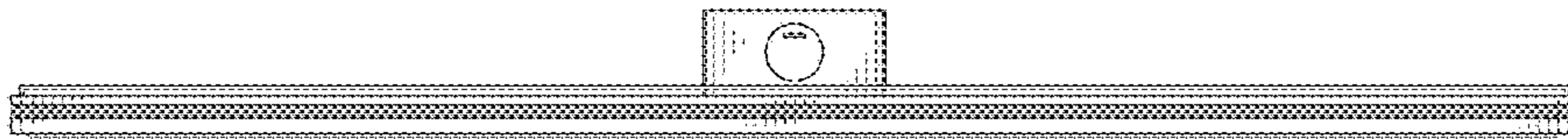


FIG. 4

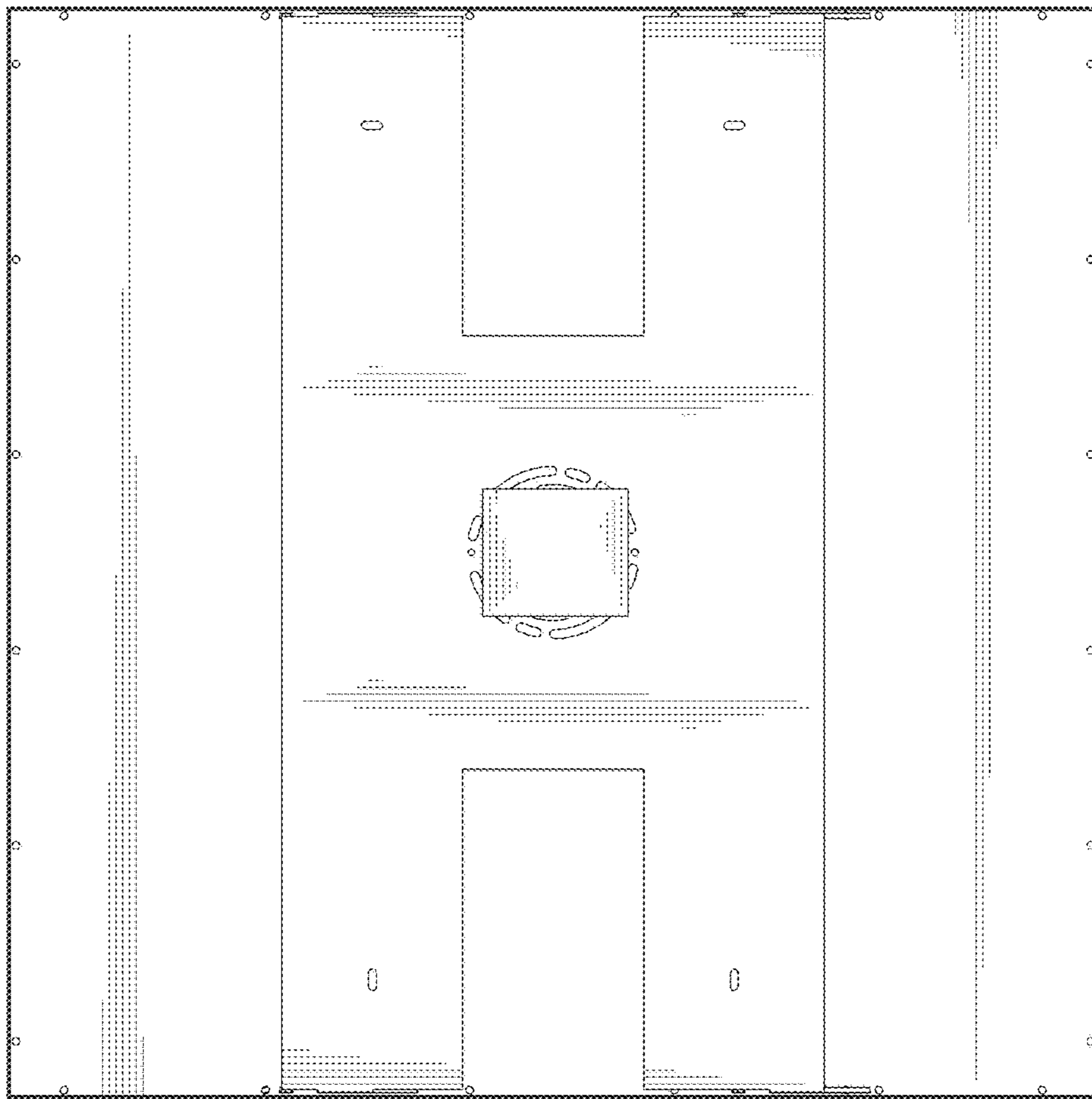


FIG. 5

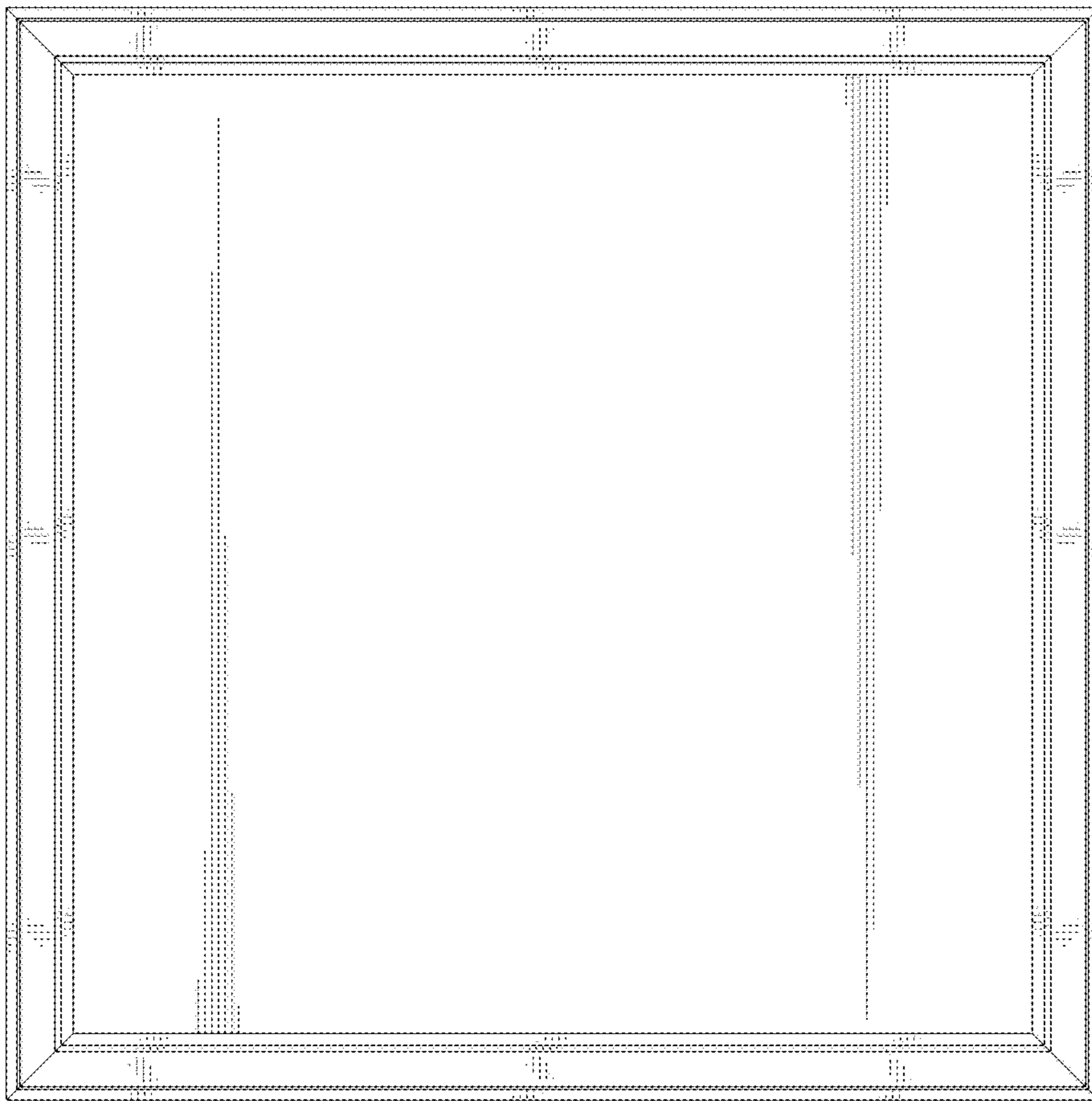


FIG. 6

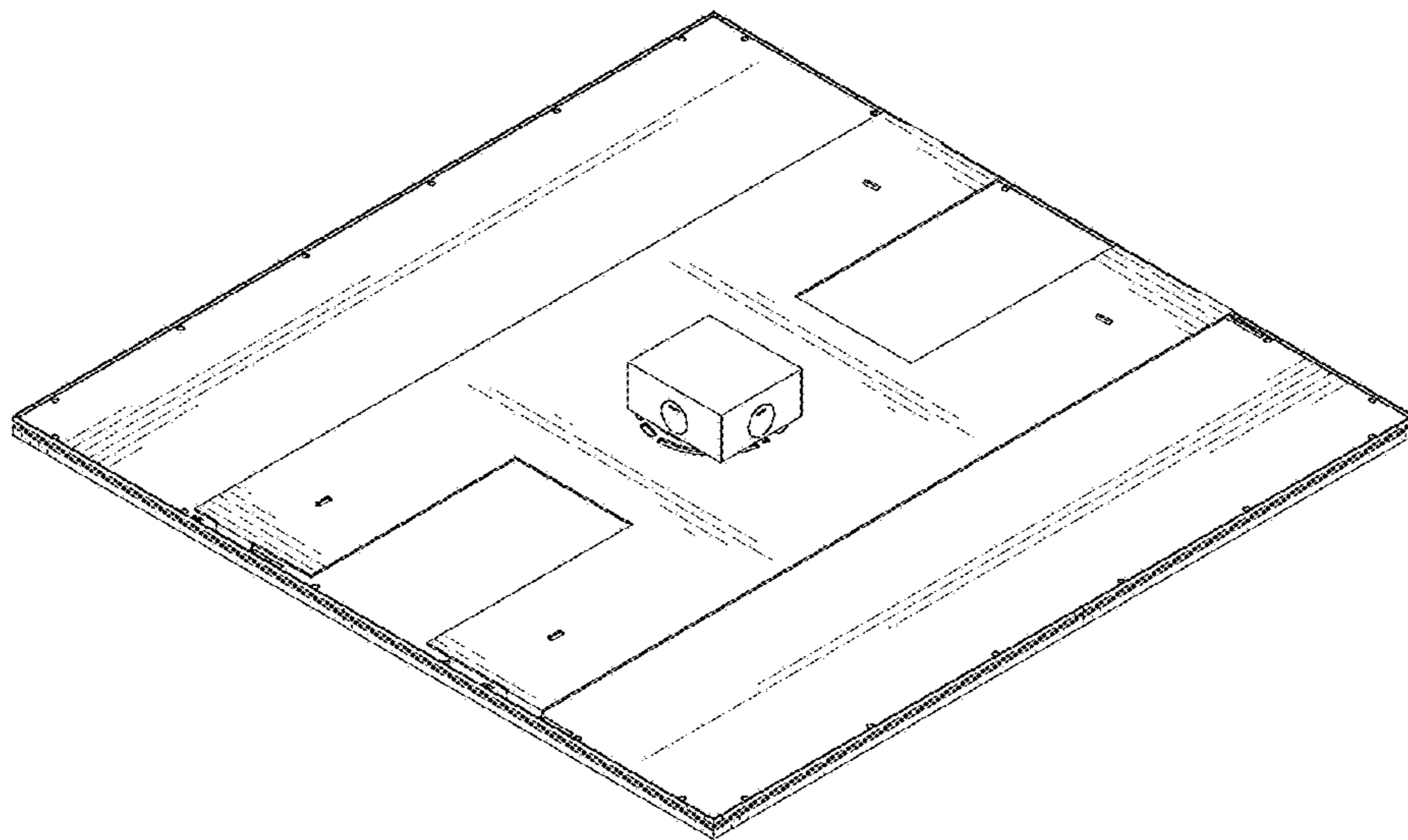


FIG. 7

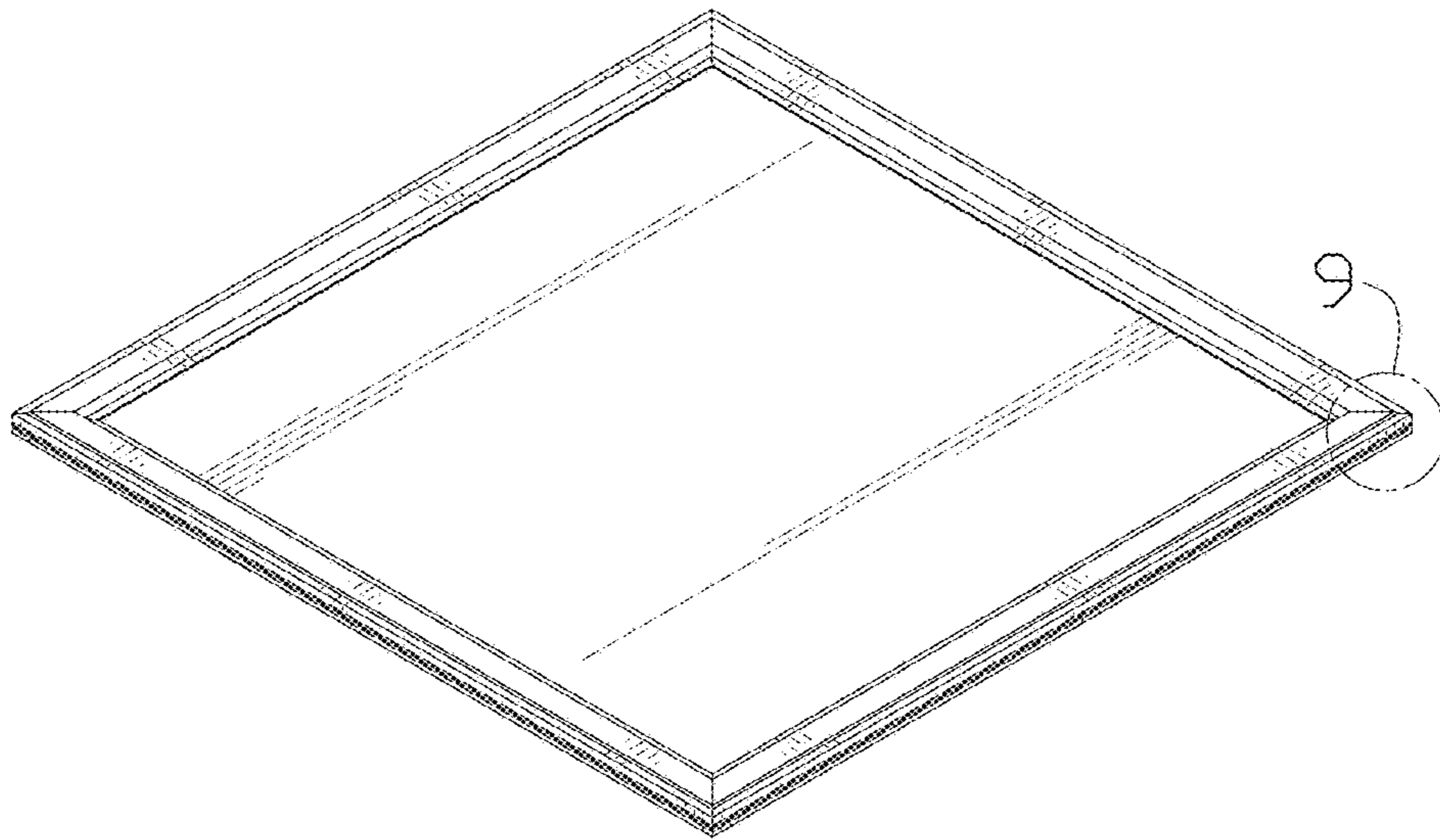


FIG. 8

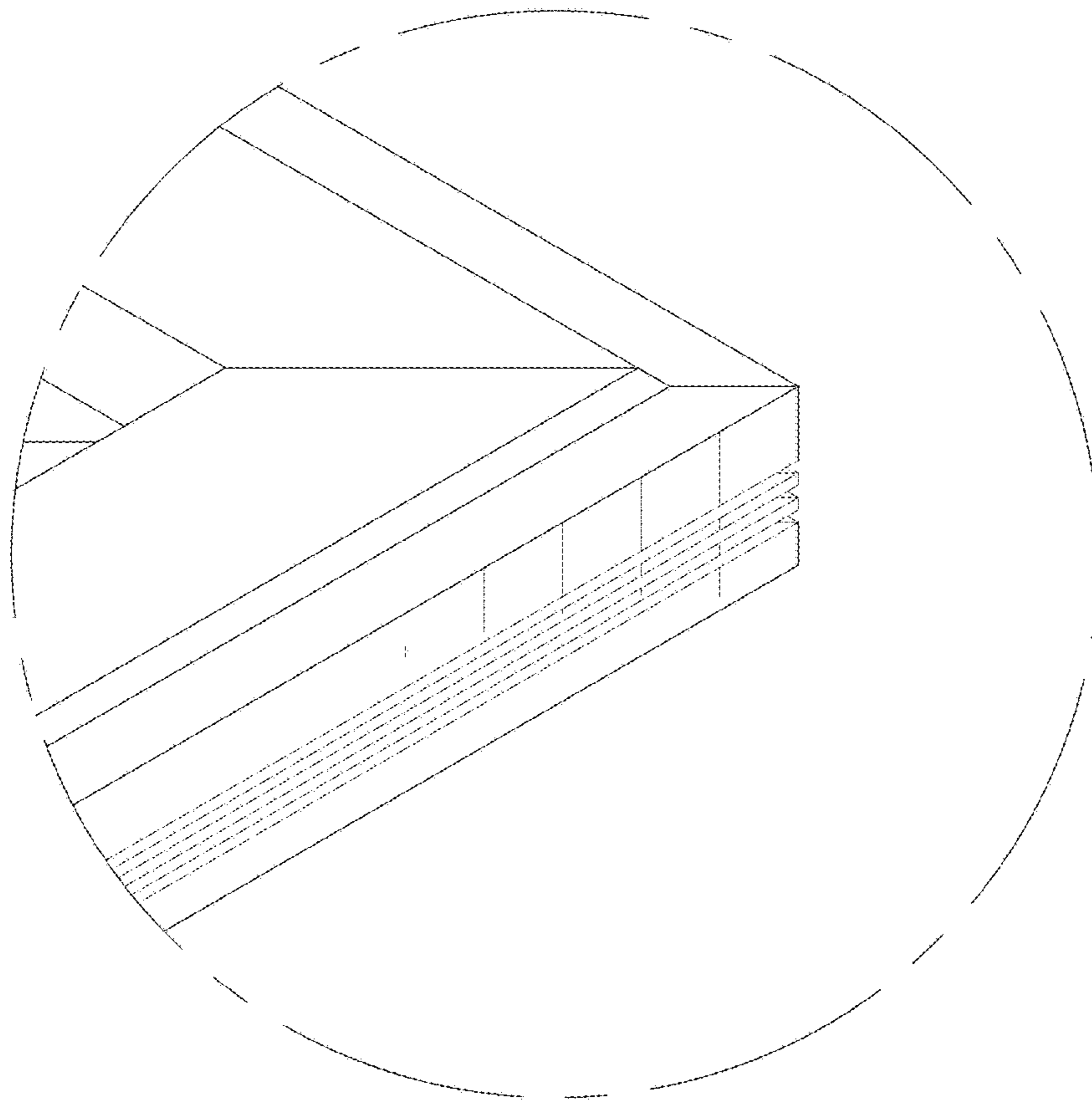


FIG. 9