

US00D849991S

(12) **United States Design Patent**
Piedra et al.

(10) **Patent No.:** **US D849,991 S**

(45) **Date of Patent:** **** *May 28, 2019**

- (54) **CHANDELIER**
- (71) Applicants: **Alejandro Piedra**, Miami, FL (US);
Maile Castaneda, Miami, FL (US)
- (72) Inventors: **Alejandro Piedra**, Miami, FL (US);
Maile Castaneda, Miami, FL (US)

6,565,231 B1 * 5/2003 Cok F21S 6/002
313/504
D589,003 S * 3/2009 Huang D13/179
D635,709 S * 4/2011 Federico D26/84
D653,372 S * 1/2012 Feigenbaum D26/51
D749,203 S * 2/2016 D'Amico D23/366
D764,696 S * 8/2016 Compton D26/85

- (*) Notice: This patent is subject to a terminal disclaimer.
- (**) Term: **15 Years**

* cited by examiner

Primary Examiner — Brian N. Vinson

(74) *Attorney, Agent, or Firm* — Sanchelima & Associates, P.A.; Christian Sanchelima; Jesus Sanchelima

(21) Appl. No.: **29/598,469**

(22) Filed: **Mar. 27, 2017**

(51) **LOC (11) Cl.** **26-99**

(52) **U.S. Cl.**
USPC **D26/118**

(58) **Field of Classification Search**
USPC D26/51, 72, 38, 84, 85, 86, 87, 88, 113,
D26/118, 102, 120, 122, 366; D13/179
CPC F21S 8/03; F21S 8/033; F21S 8/024; F21S
6/002; F21V 7/041; F21V 7/043; F21V
7/045; F21V 7/05; F21V 7/06; F21V
7/07; F21V 7/08; F21V 7/09
See application file for complete search history.

(56) **References Cited**

U.S. PATENT DOCUMENTS

D406,112 S * 2/1999 Hargroves D13/179
D442,321 S * 5/2001 Cheng D26/102

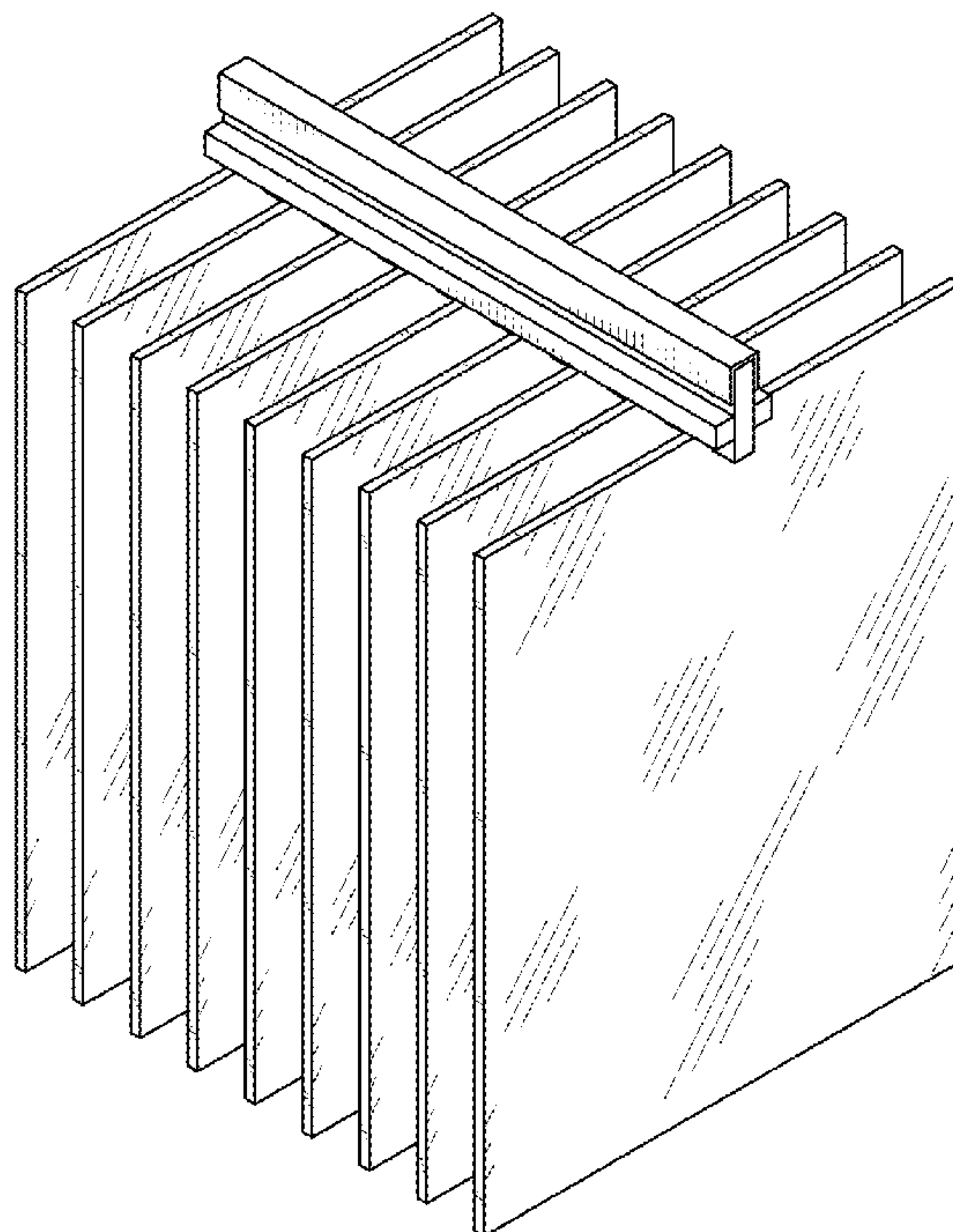
(57) **CLAIM**

The ornamental design for a chandelier, as shown and described.

DESCRIPTION

FIG. 1 is an isometric view of a chandelier design showing my new design;
FIG. 2 is a bottom isometric view thereof;
FIG. 3 is a top plan view thereof;
FIG. 4 is a bottom plan view thereof; and,
FIG. 5 is a right elevational view thereof showing my design.

1 Claim, 5 Drawing Sheets



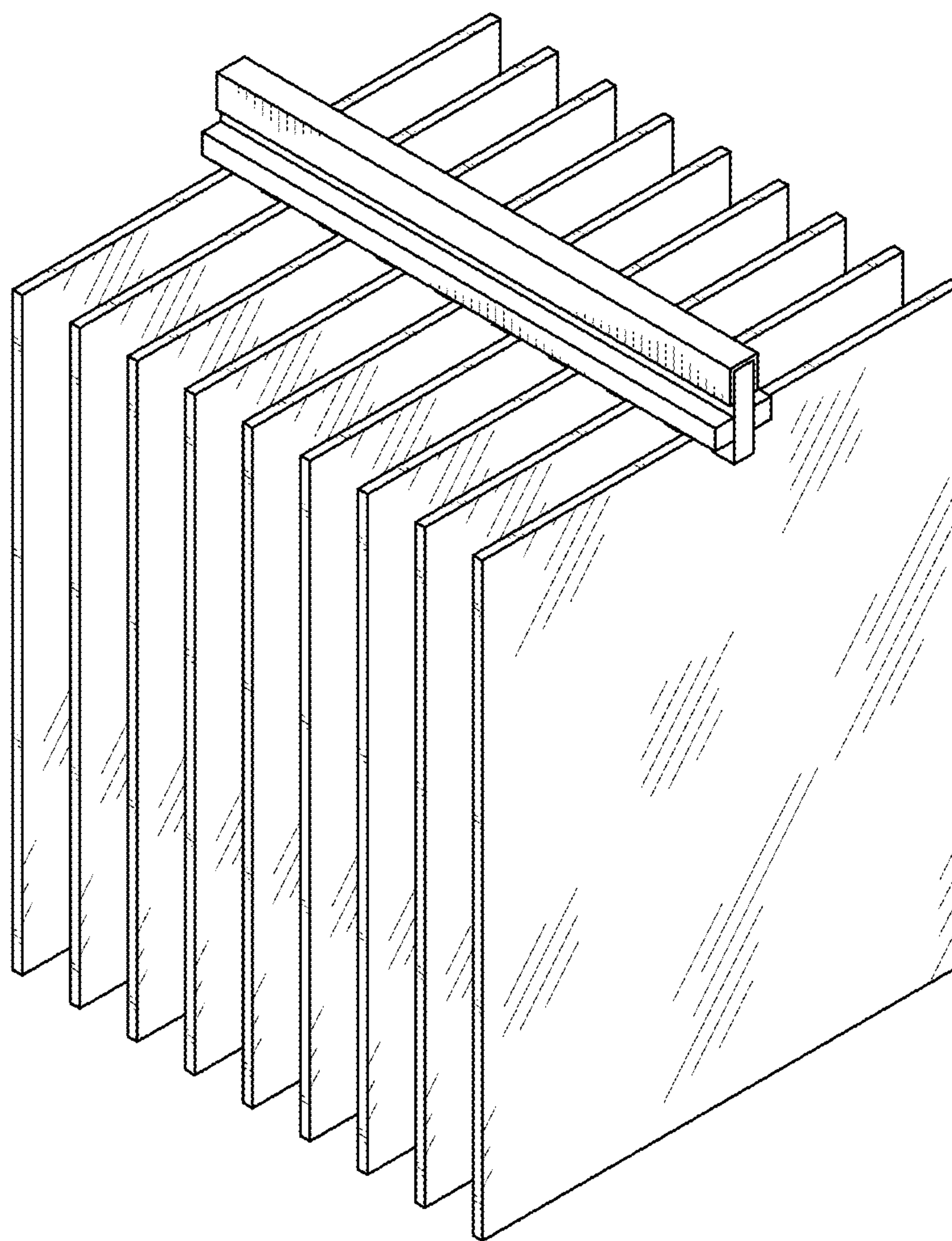


FIG. 1

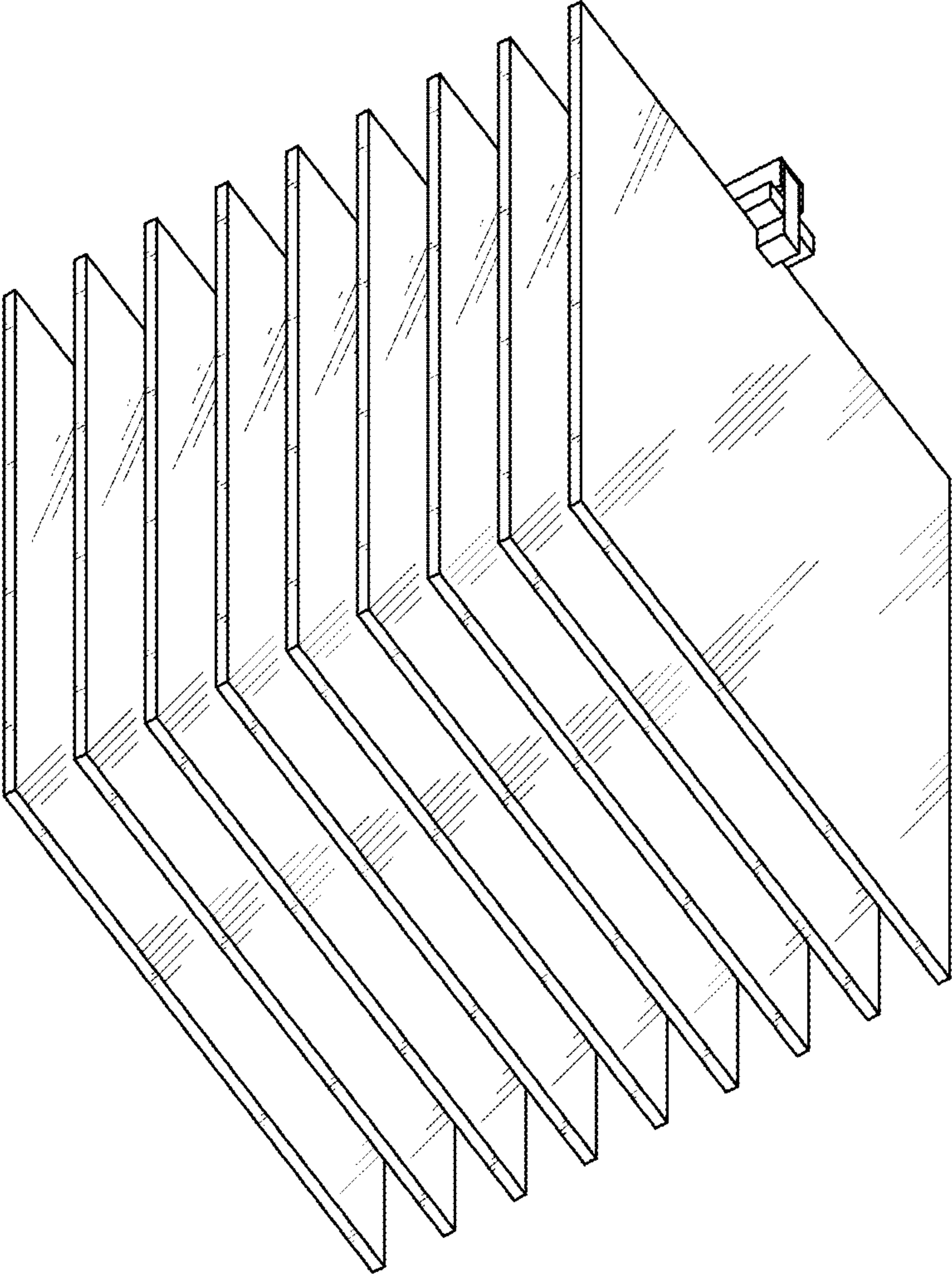


FIG. 2

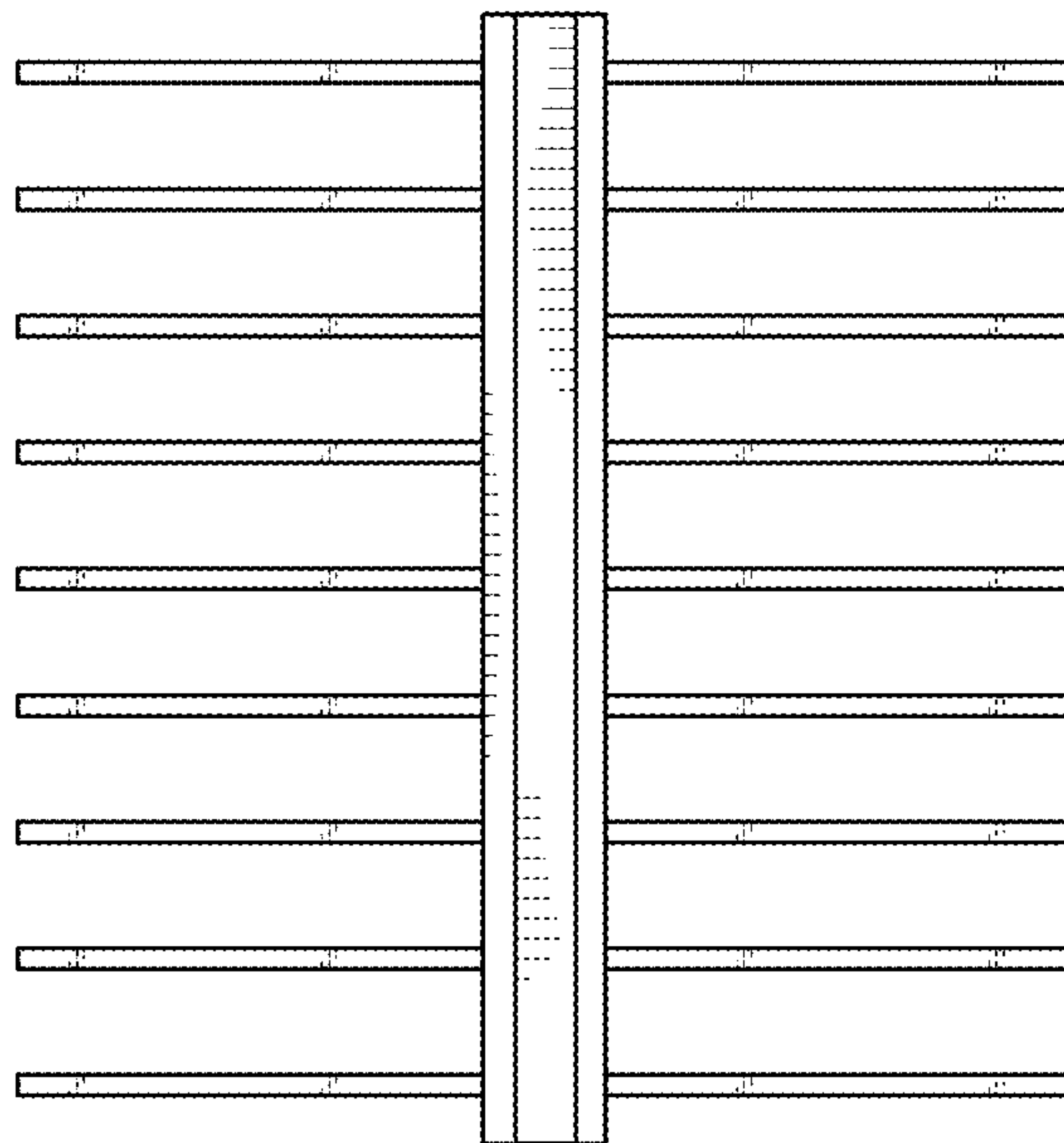


FIG. 3

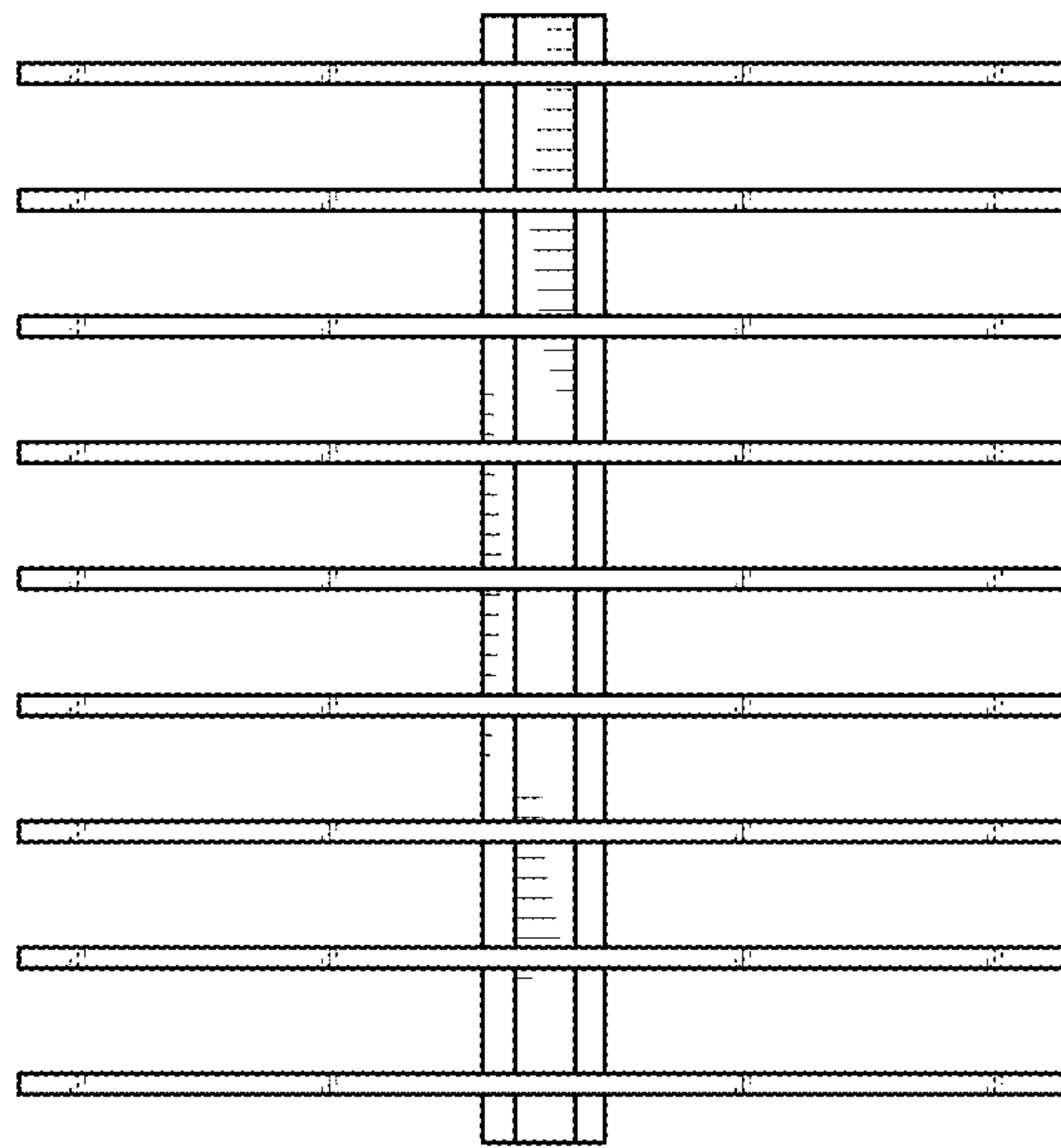


FIG. 4

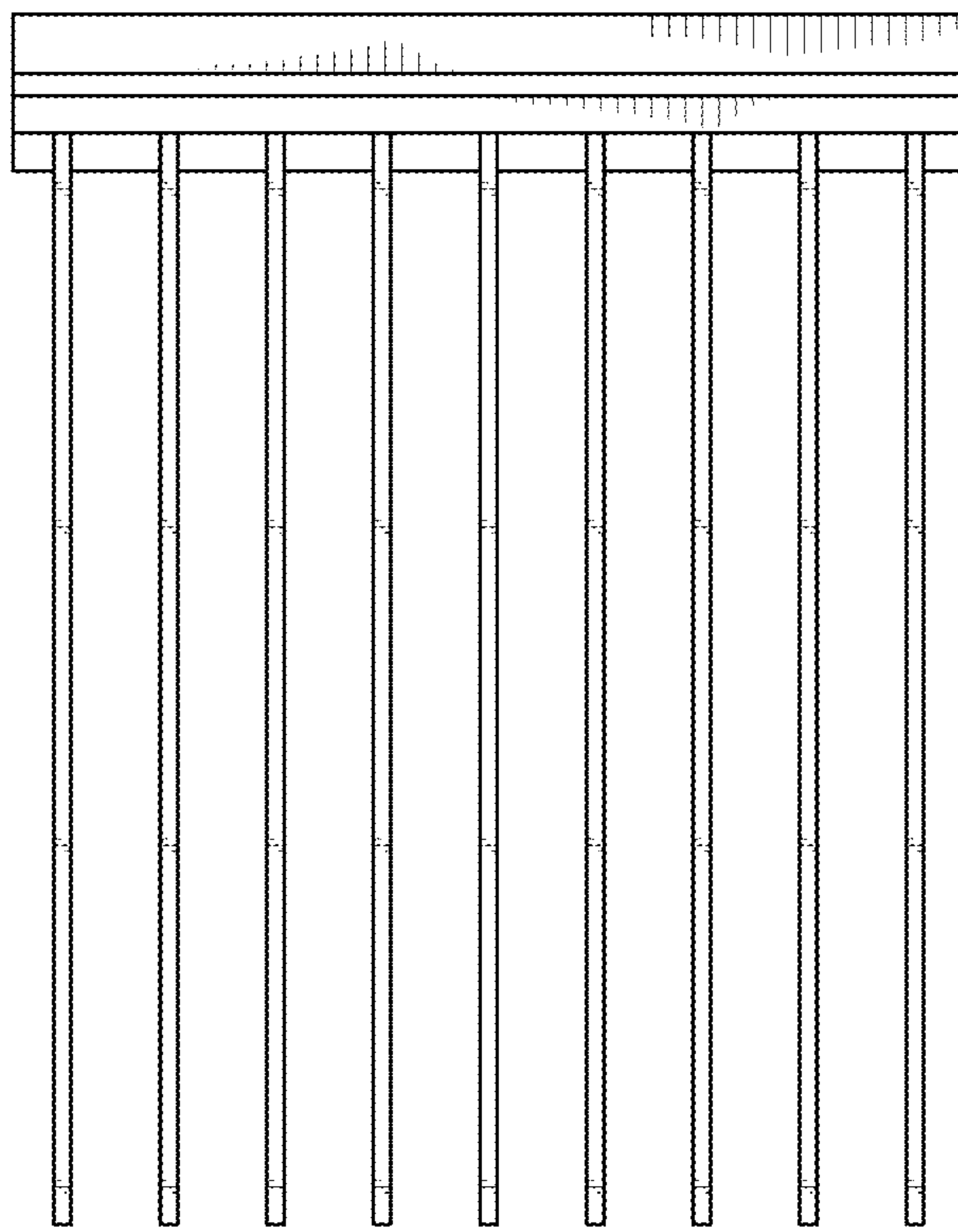


FIG. 5