



US00D849989S

(12) **United States Design Patent** (10) **Patent No.:** **US D849,989 S**
Grcic (45) **Date of Patent:** **** May 28, 2019**

(54) **FLOOR LAMP**

(71) Applicant: **FLOS S.P.A.**, Bovezzo, Brescia (IT)

(72) Inventor: **Konstantin Grcic**, Brescia (IT)

(73) Assignee: **FLOS S.P.A.**, Bovezzo (IT)

(**) Term: **15 Years**

(21) Appl. No.: **35/504,189**

(22) Filed: **Sep. 6, 2017**

(80) **Hague Agreement Data**

Int. Filing Date: **Sep. 6, 2017**

Int. Reg. No.: **DM/098832**

Int. Reg. Date: **Sep. 6, 2017**

Int. Reg. Pub. Date: **Dec. 22, 2017**

(30) **Foreign Application Priority Data**

Mar. 16, 2017 (IT) 402017000029197

(51) **LOC (11) Cl.** **26-05**

(52) **U.S. Cl.**
USPC **D26/93**

(58) **Field of Classification Search**

USPC D26/74, 75, 76, 78-86, 88, 90, 93, 104,
D26/111, 113, 118, 119, 120, 121, 122,
D26/138, 139, 140, 141, 142, 152
CPC F21S 2/00; F21S 4/00; F21S 4/003; F21S
4/005; F21S 4/006; F21S 4/007; F21S
4/008; F21S 6/00; F21S 8/00; F21S
8/024; F21S 8/026; F21S 8/031; F21S
8/033; F21S 8/035-8/037; F21S 8/04;
F21S 8/043; F21S 8/063

See application file for complete search history.

(56) **References Cited**

U.S. PATENT DOCUMENTS

D377,229 S * 1/1997 Shalvi D26/104

D485,004 S * 1/2004 Olson D26/104

D589,205 S * 3/2009 Sabernig D26/104
D606,236 S * 12/2009 Sabernig D26/93
D625,039 S * 10/2010 Citterio D26/93
D646,837 S * 10/2011 Yu D26/104
D664,283 S * 7/2012 Sofield D26/93
D715,993 S * 10/2014 Grcic D26/138
D739,070 S * 9/2015 Wilson D26/104
D767,811 S * 9/2016 Cannon D26/106
D777,371 S * 1/2017 Yang D26/142
D781,485 S * 3/2017 Bouroullec D26/88
D790,748 S * 6/2017 Starck D26/93
D803,462 S * 11/2017 Couckhuyt D26/93
D808,063 S * 1/2018 Starck D26/110
D828,609 S * 9/2018 Barber D26/85

* cited by examiner

Primary Examiner — Natasha Vujcic

(74) *Attorney, Agent, or Firm* — Thomas | Horstemeyer,
LLP

(57) **CLAIM**

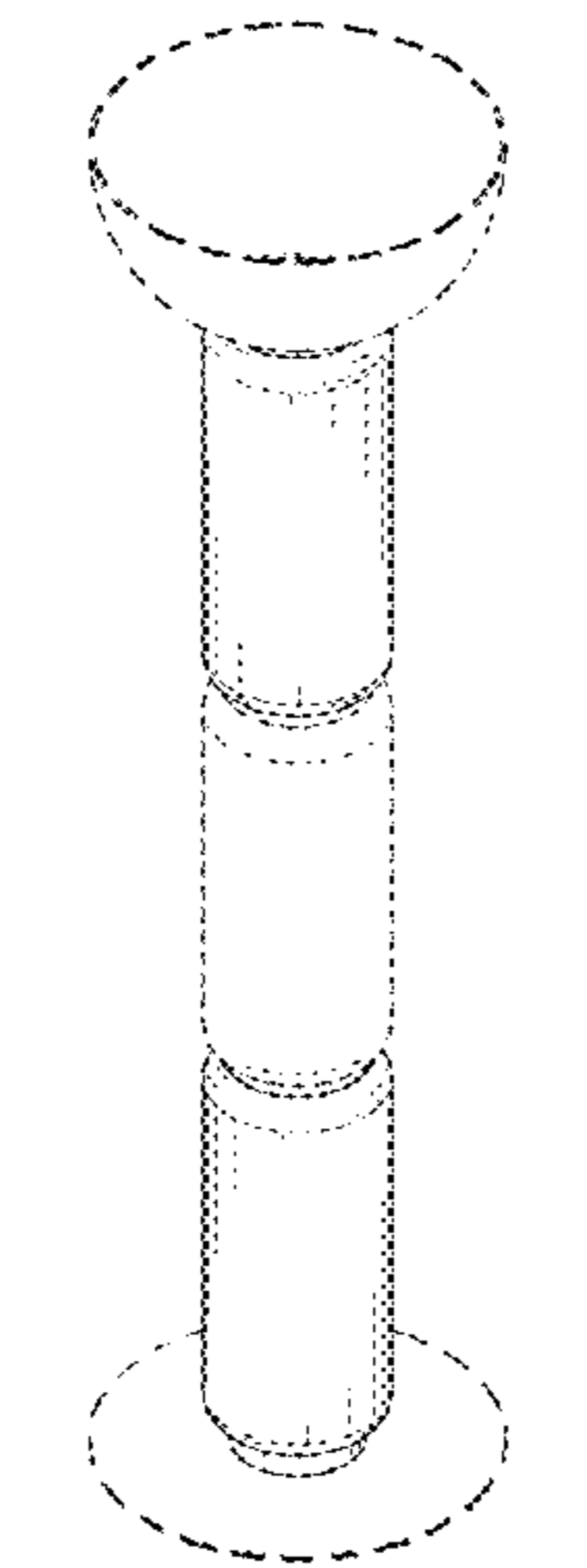
The ornamental design for a floor lamp, as shown and described.

DESCRIPTION

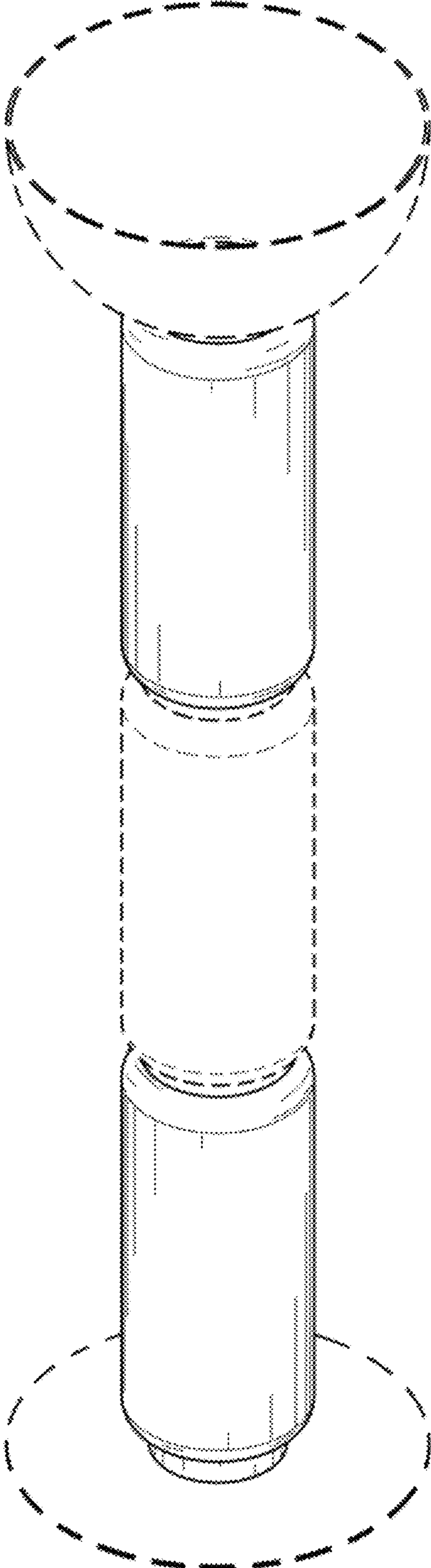
- 1.1 is a front perspective view of a floor lamp, showing my new design;
- 1.2 is a front view thereof;
- 1.3 is a right side view thereof;
- 1.4 is a left side view thereof;
- 1.5 is a rear view thereof;
- 1.6 is a top view thereof; and
- 1.7 is a bottom view thereof.

The broken lines in the figures are for the purpose of illustrating portions of a floor lamp that form no part of the claimed design.

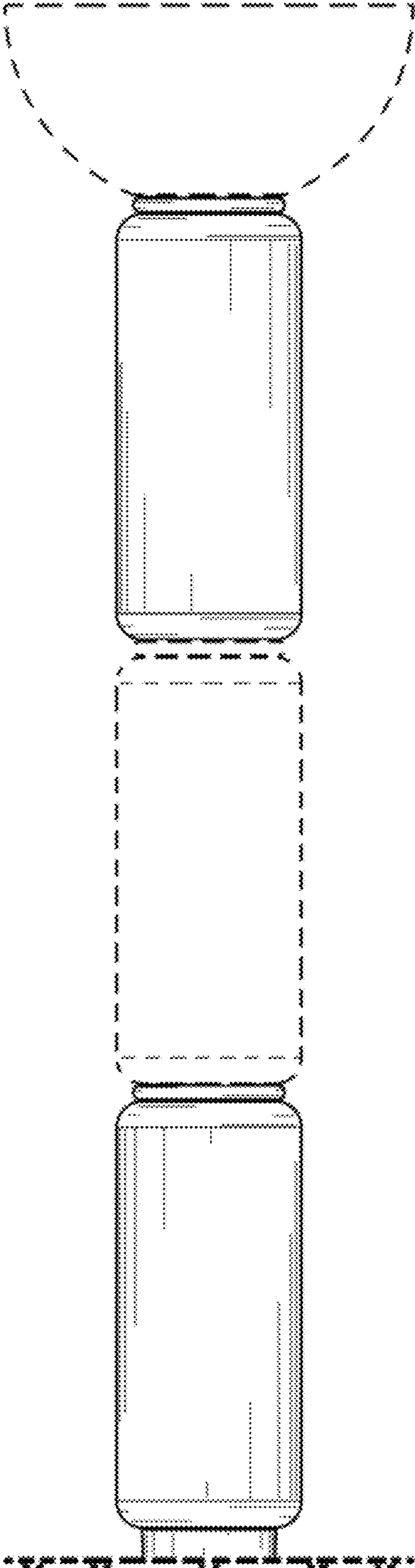
1 Claim, 7 Drawing Sheets



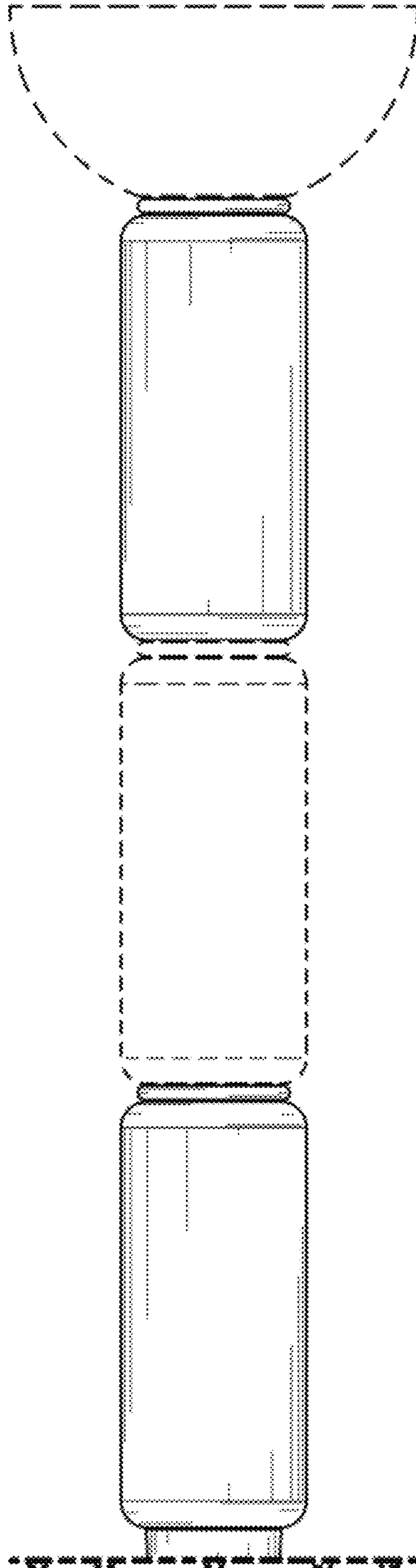
1.1



1.2

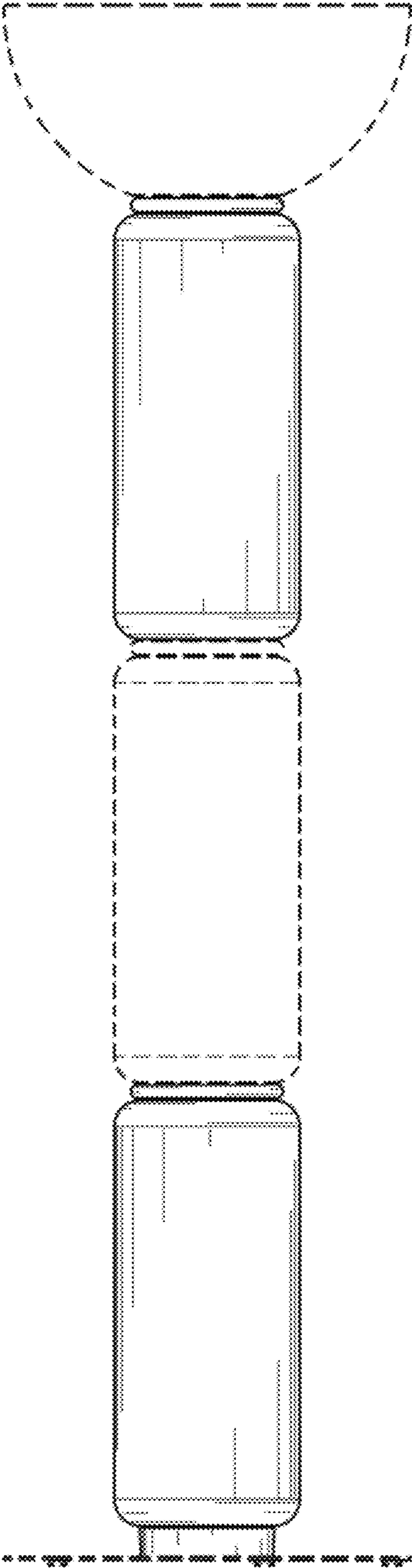


1.3

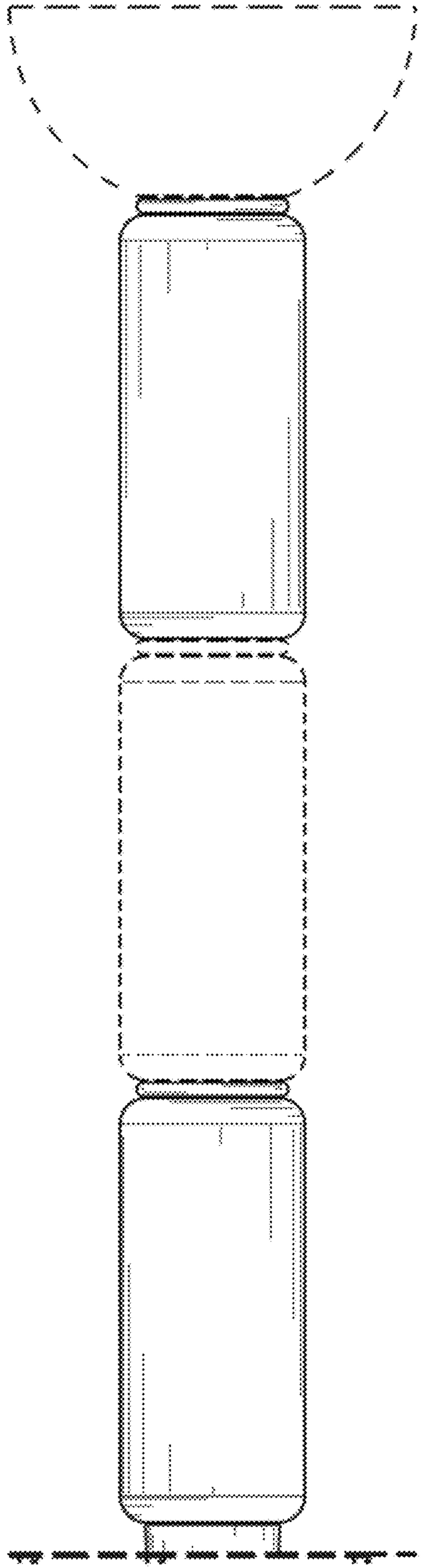


*** For Office Use Only ***

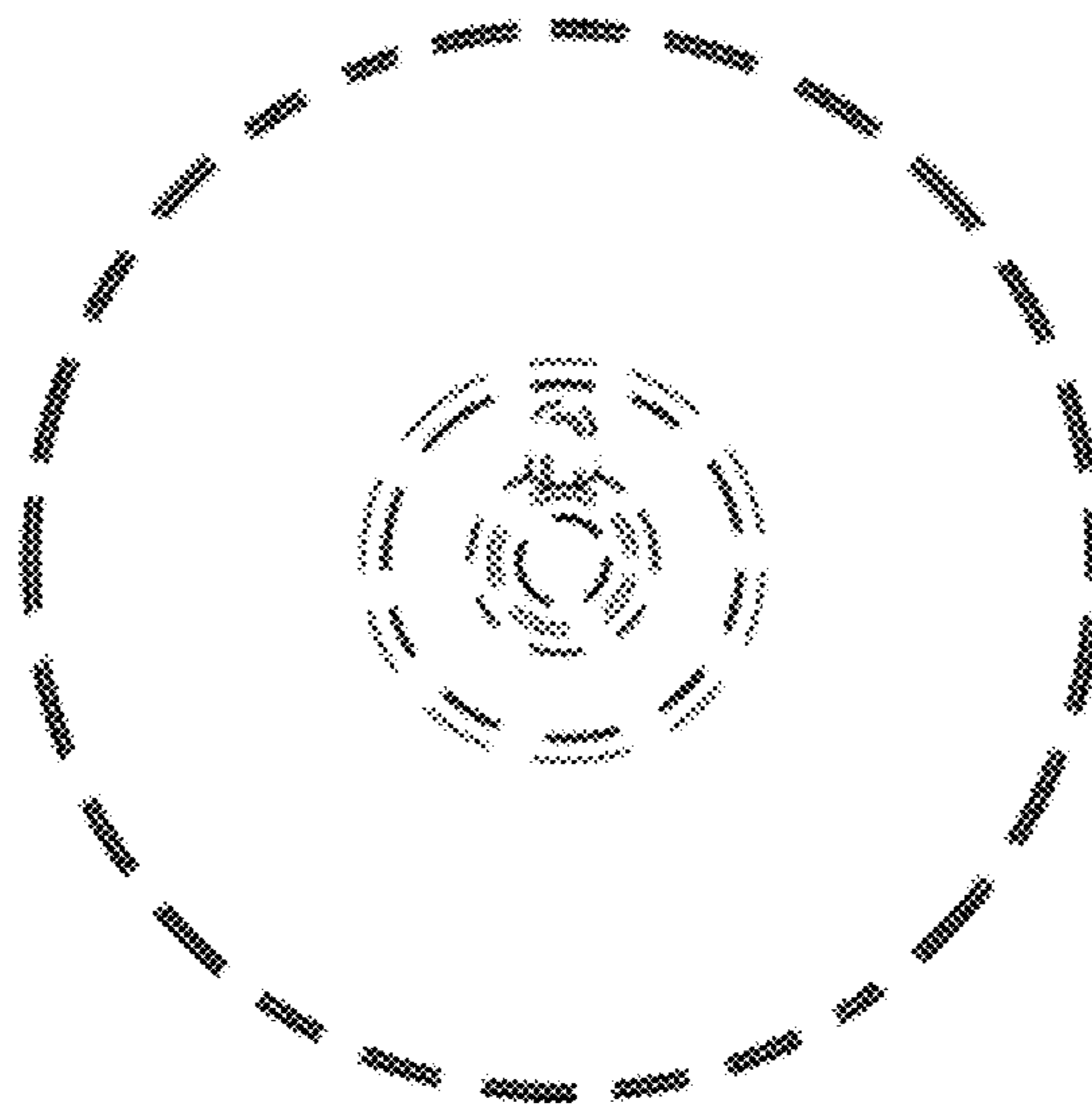
1.4



1.5



1.6



1.7

