



US00D849987S

(12) **United States Design Patent**
Koerth

(10) **Patent No.:** **US D849,987 S**

(45) **Date of Patent:** **** May 28, 2019**

(54) **STEP LIGHT**

(71) Applicant: **LACKS HOME PRODUCTS,**
Kentwood, MI (US)

(72) Inventor: **Aaron Koerth,** Hudsonville, MI (US)

(73) Assignee: **Lacks Home Products,** Kentwood, MI
(US)

(**) Term: **15 Years**

(21) Appl. No.: **29/613,638**

(22) Filed: **Aug. 11, 2017**

(51) **LOC (11) Cl.** **26-03**

(52) **U.S. Cl.**
USPC **D26/85**

(58) **Field of Classification Search**
USPC D26/72, 85, 89, 120; D10/106.6, 106.8
CPC F21S 8/03; F21S 8/033; F21S 8/036; F21S
8/037; F21S 9/022; F21S 9/024; F21S
9/03; F21S 9/035; F21S 9/037; F21W
2131/107; G08B 13/193
See application file for complete search history.

(56) **References Cited**

U.S. PATENT DOCUMENTS

D151,626 S * 11/1948 Kress D26/85
D567,989 S * 4/2008 Goetz-Schaefer D26/89
D627,094 S * 11/2010 Verelst D26/85
D627,916 S * 11/2010 Butteris D26/85

7,954,973 B1 * 6/2011 Holland F21S 2/00
362/146
D788,625 S * 6/2017 Hsieh D10/106.6
D796,975 S * 9/2017 Jou D10/106.6
D808,569 S * 1/2018 Ban D26/85
D829,359 S * 9/2018 Zhang D26/85
2013/0050996 A1 * 2/2013 Holscher F21S 9/022
362/184
2018/0306394 A1 * 10/2018 Song F21V 33/006

* cited by examiner

Primary Examiner — Clare E Heflin

(74) *Attorney, Agent, or Firm* — John S. Artz; Dickinson
Wright PLLC

(57) **CLAIM**

The ornamental design for a step light, as shown and
described.

DESCRIPTION

FIG. 1 is a perspective view of a step light illustrating an
example environment of the step light;
FIG. 2 is a perspective view of the step light;
FIG. 3 is a front view of the step light;
FIG. 4 is a left side of the step light;
FIG. 5 is a right side view of the step light;
FIG. 6 is a back view of the step light;
FIG. 7 is a top view of the step light; and,
FIG. 8 is a bottom view of the step light.

The broken lines in the figures are for illustrative purposes
only and form no part of the claimed design.

1 Claim, 5 Drawing Sheets

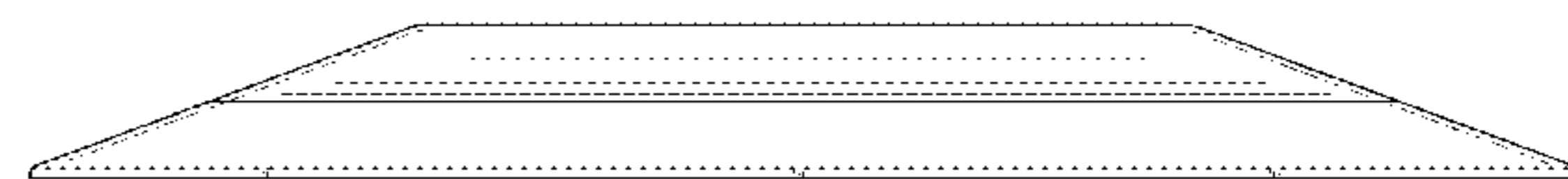
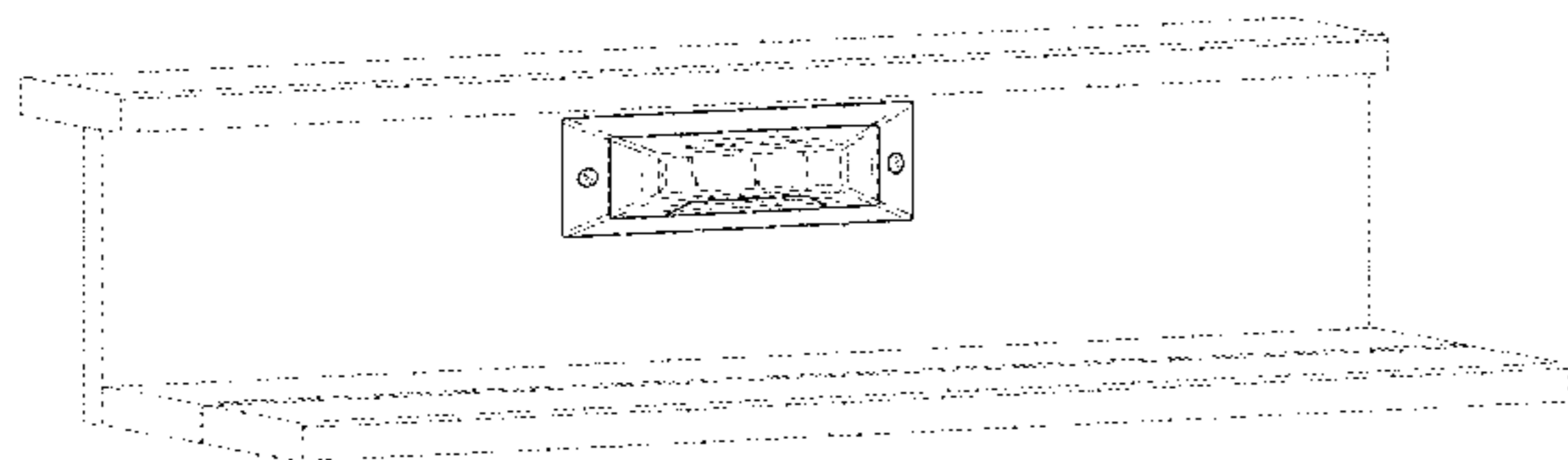
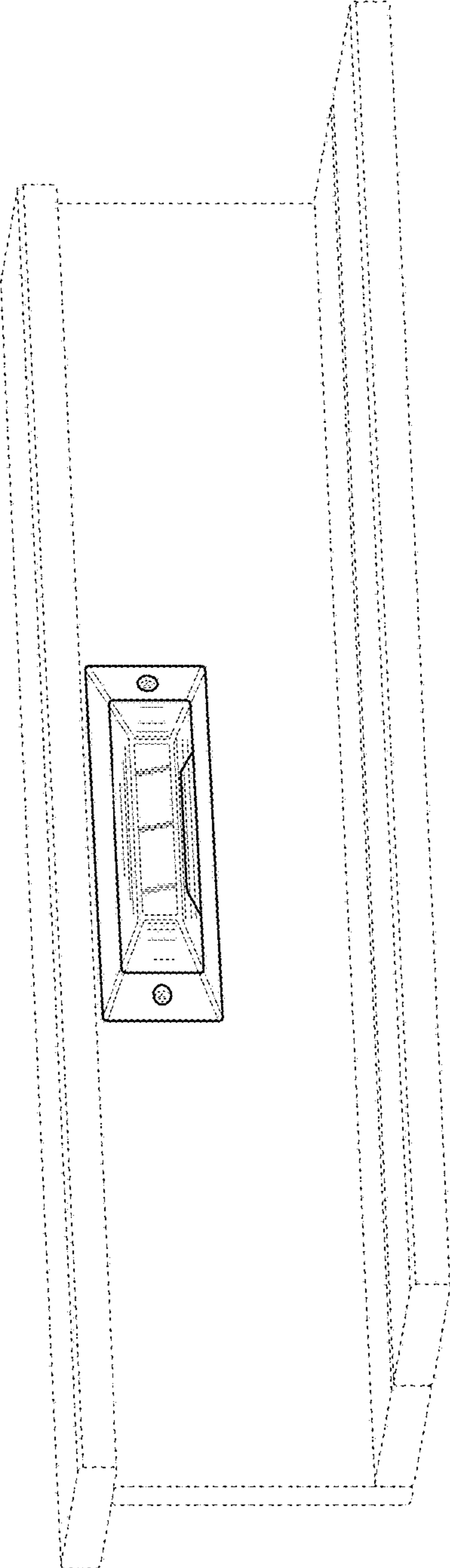


FIG. 1



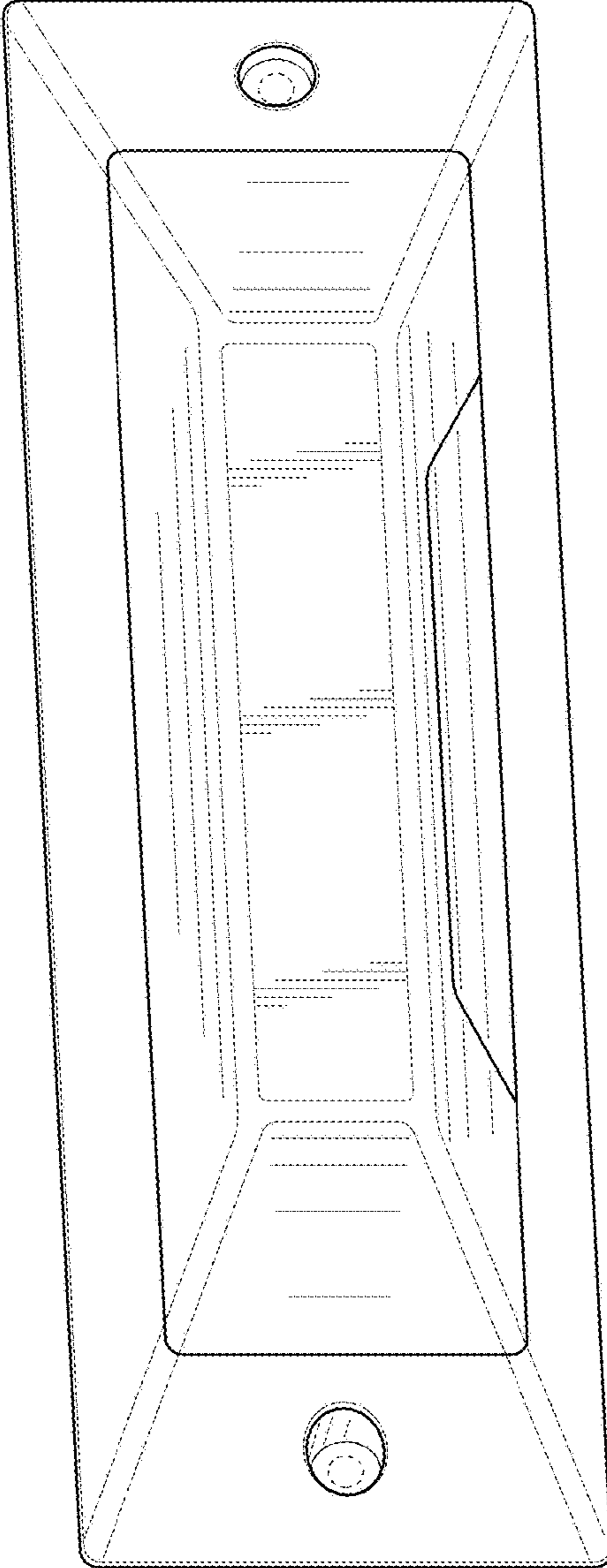


FIG. 2

FIG. 3

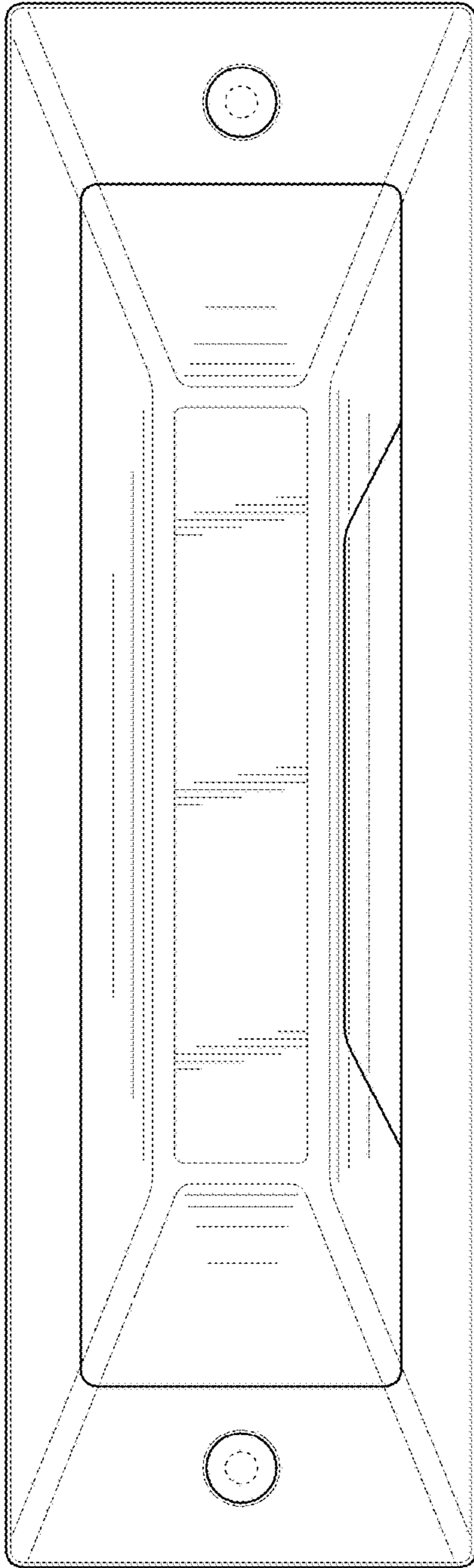


FIG. 4

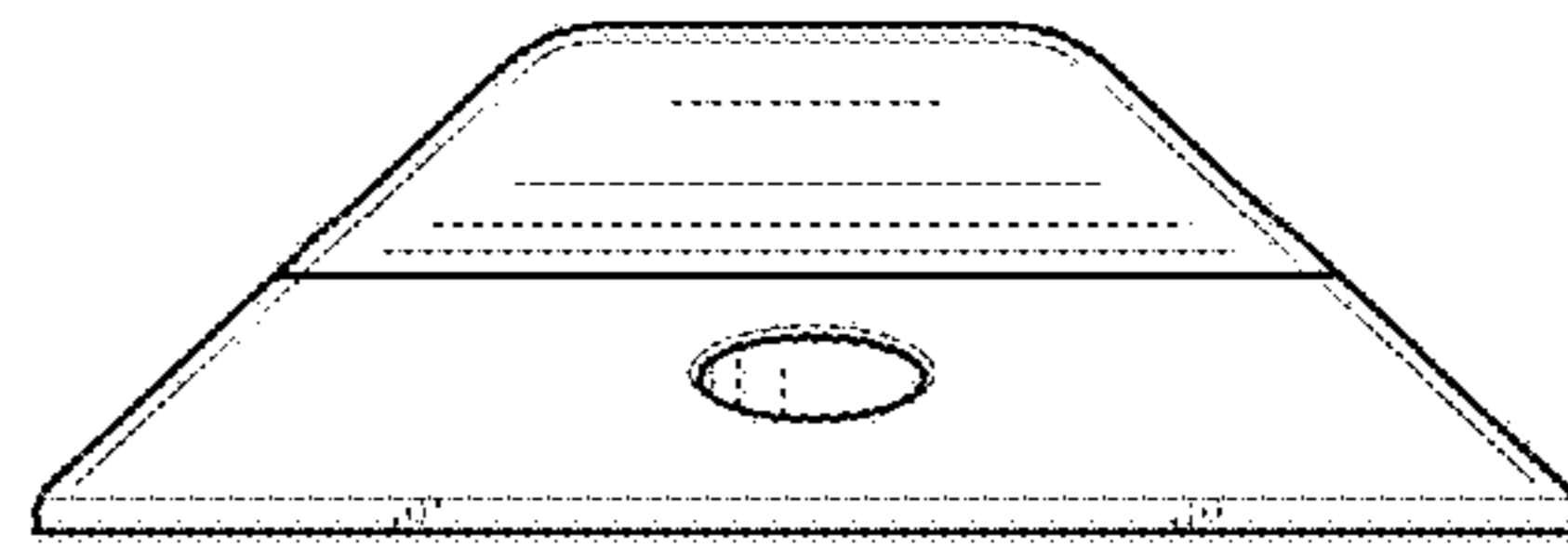


FIG. 5

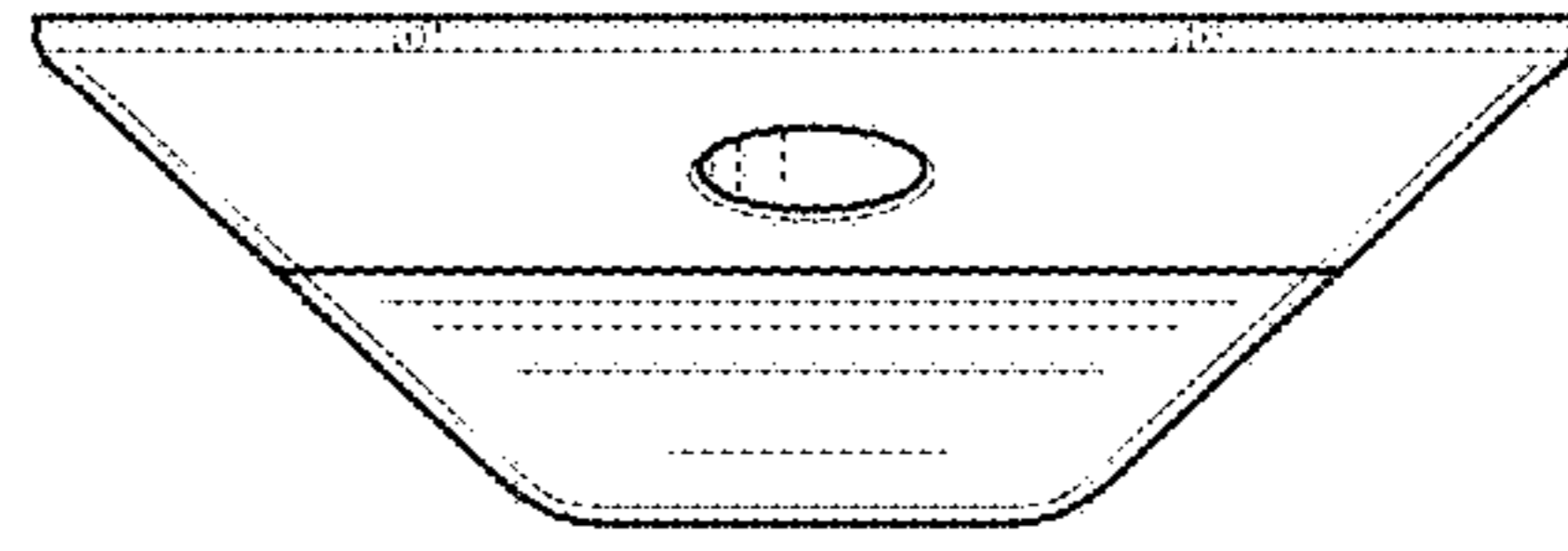


FIG. 6

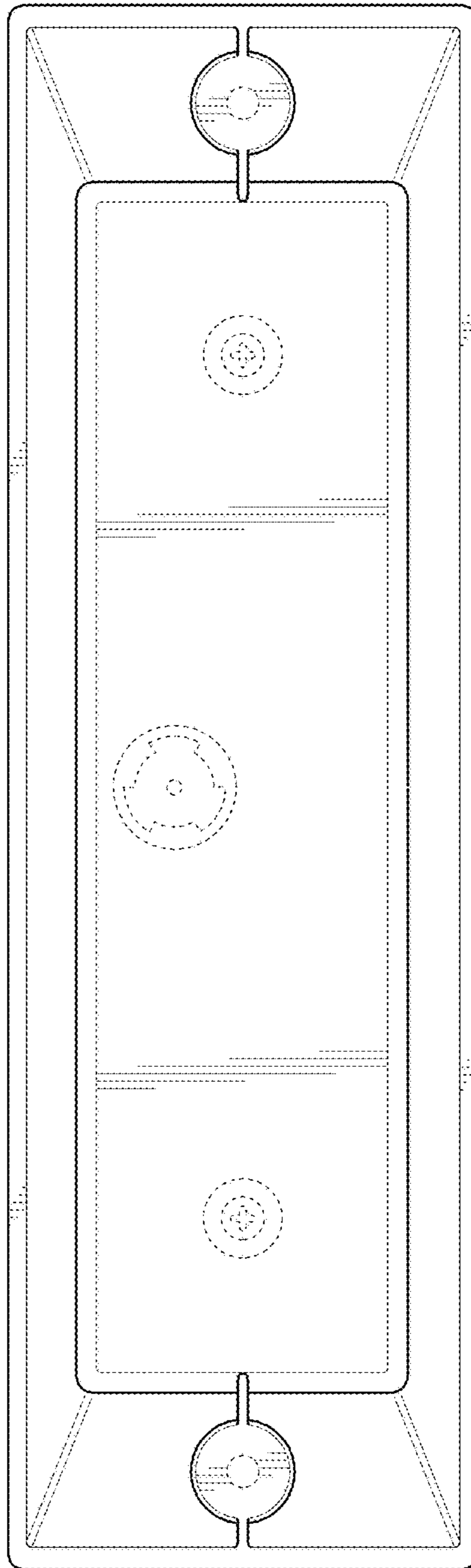


FIG. 7

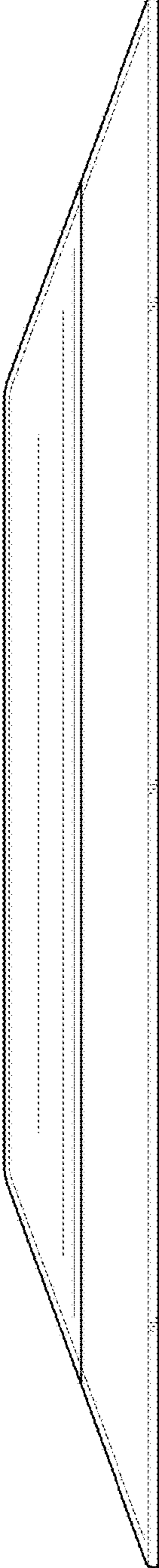


FIG. 8

