



US00D849984S

(12) **United States Design Patent**
Morrill

(10) **Patent No.:** **US D849,984 S**

(45) **Date of Patent:** **** *May 28, 2019**

(54) **HAIR BLOWER LAMP**

(71) Applicant: **Richard Dean Morrill**, Littleton, CO
(US)

(72) Inventor: **Richard Dean Morrill**, Littleton, CO
(US)

(*) Notice: This patent is subject to a terminal disclaimer.

(**) Term: **15 Years**

(21) Appl. No.: **29/546,146**

(22) Filed: **Nov. 19, 2015**

(51) **LOC (11) Cl.** **26-05**

(52) **U.S. Cl.**
USPC **D26/73**

(58) **Field of Classification Search**
USPC D26/25, 26, 72, 73, 81, 83, 84, 90
CPC F21S 8/046; F21S 8/06; F21S 8/061; F21S
8/063; F21S 8/065

See application file for complete search history.

(56) **References Cited**

U.S. PATENT DOCUMENTS

D27,706 S *	9/1897	Beesley	D26/73
D90,881 S *	10/1933	Gruber	D26/73
D217,383 S *	4/1970	Benedetto	D26/73
D459,824 S *	7/2002	Leen	D26/73
D496,754 S *	9/2004	Parodi	D28/13
D518,919 S *	4/2006	Parodi	D28/13
D540,973 S *	4/2007	Maestoso	D26/73
D604,898 S *	11/2009	Parodi	D28/13
D629,967 S *	12/2010	Mayo	D28/13

D641,521 S *	7/2011	Parodi	D28/13
D678,607 S *	3/2013	Parodi	D28/13
D715,485 S *	10/2014	Parodi	A45D 20/12 D28/13

* cited by examiner

Primary Examiner — Clare E Heflin

(74) *Attorney, Agent, or Firm* — Patent Law Offices of
Rick Martin, P.C.

(57) **CLAIM**

The ornamental design for a hair blower lamp, as shown and described.

DESCRIPTION

FIG. 1 is a front perspective view of my new design for a hair blower lamp.

FIG. 2 is a rear perspective view of my new invention when suspended from a ceiling;

FIG. 3 is a rear elevation view of my new invention;

FIG. 4 is a front elevation view of my new invention;

FIG. 5 is a bottom plan view of my new invention;

FIG. 6 is a top plan view of my new invention;

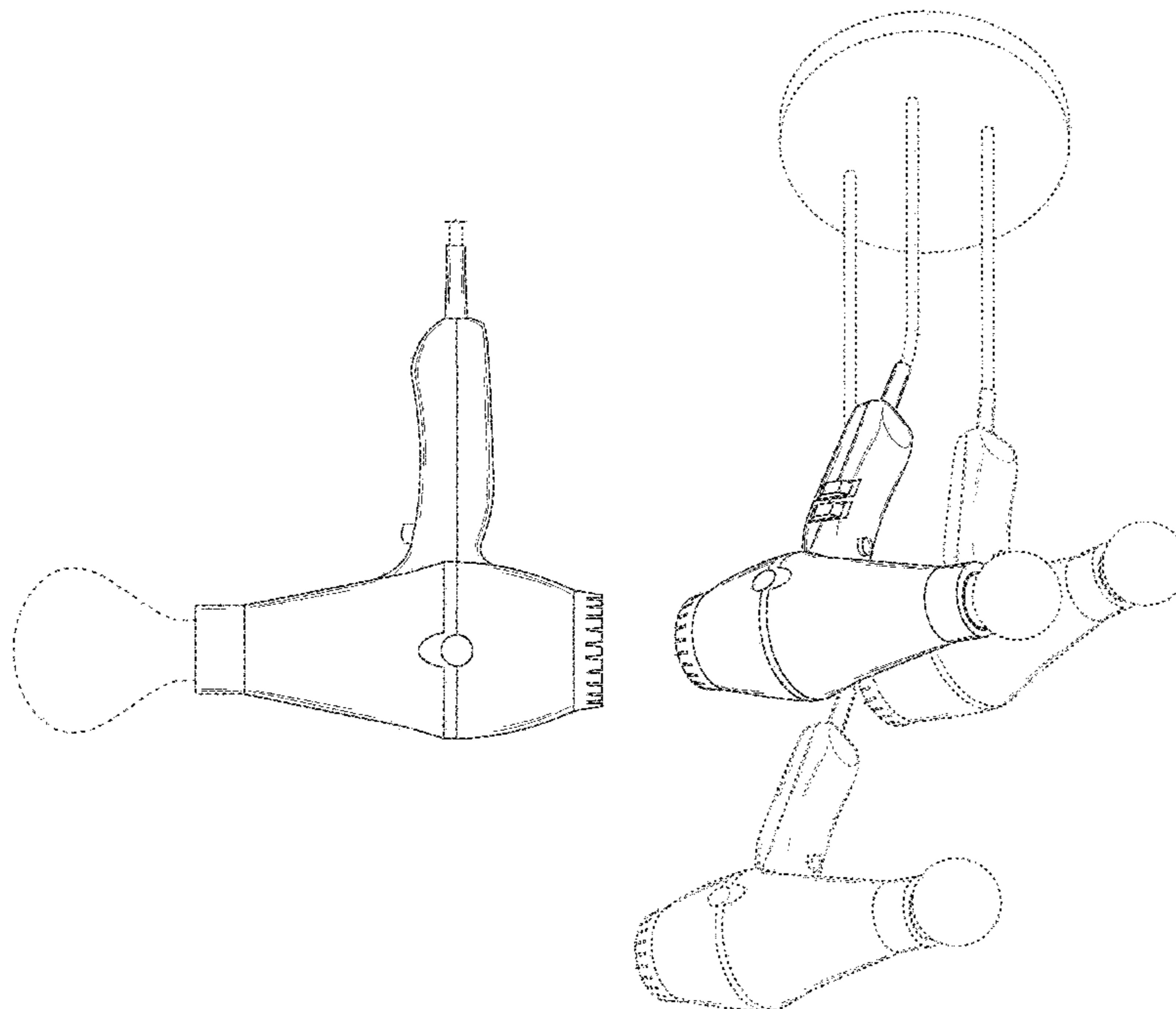
FIG. 7 is a right side elevation view of my new invention when suspended from a ceiling;

FIG. 8 is a left side elevation view of my new invention when suspended from a ceiling; and,

FIG. 9 is a front perspective view of my new invention when suspended from a ceiling.

The broken lines indicating a light bulb in FIGS. 5, 6, 7, 8 are for the purposes of illustration a use with a light bulb and form no part of the claimed design. The broken lines in FIG. 9 are for the purpose of illustrating an additional use and form no part of the claimed design.

1 Claim, 4 Drawing Sheets



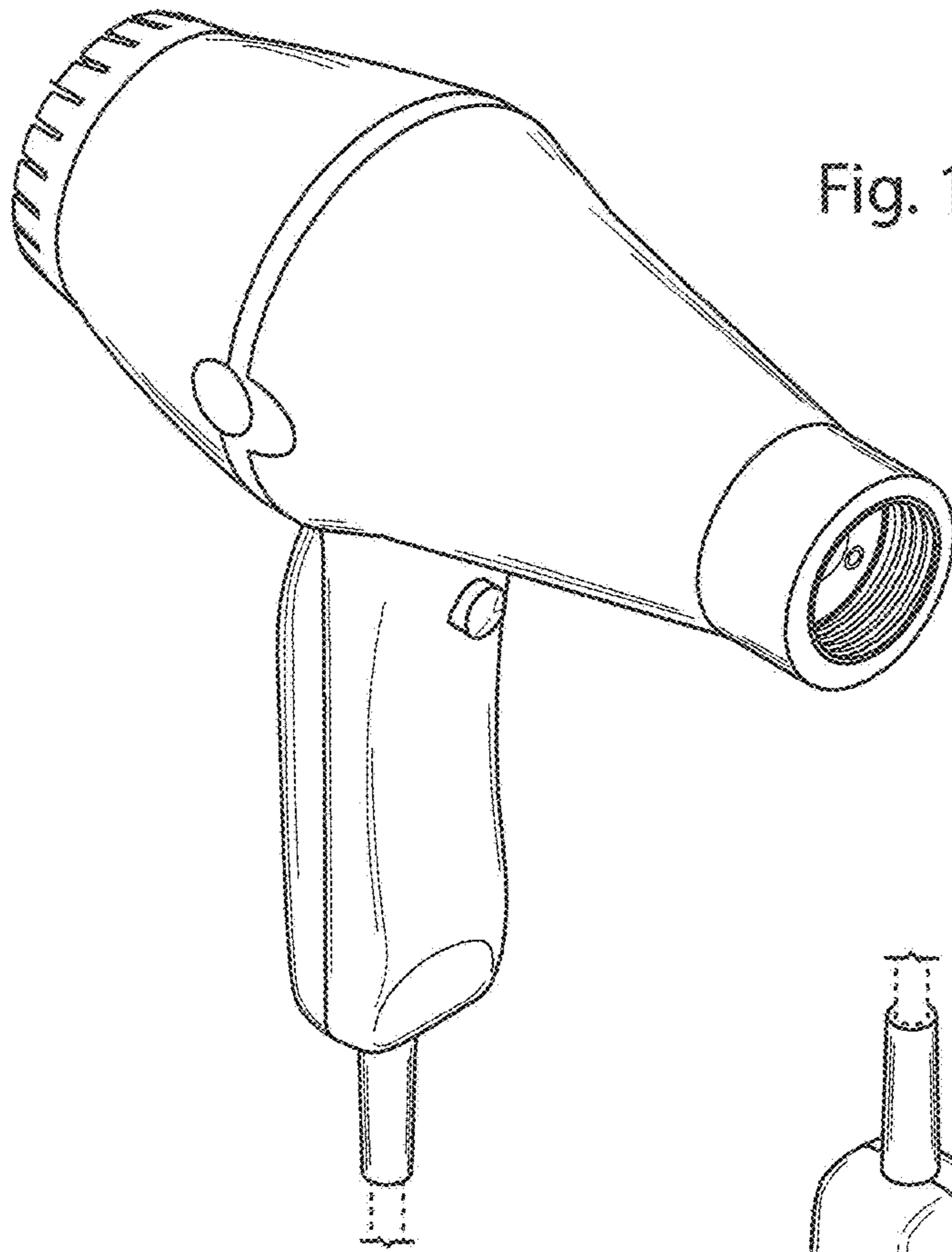


Fig. 1

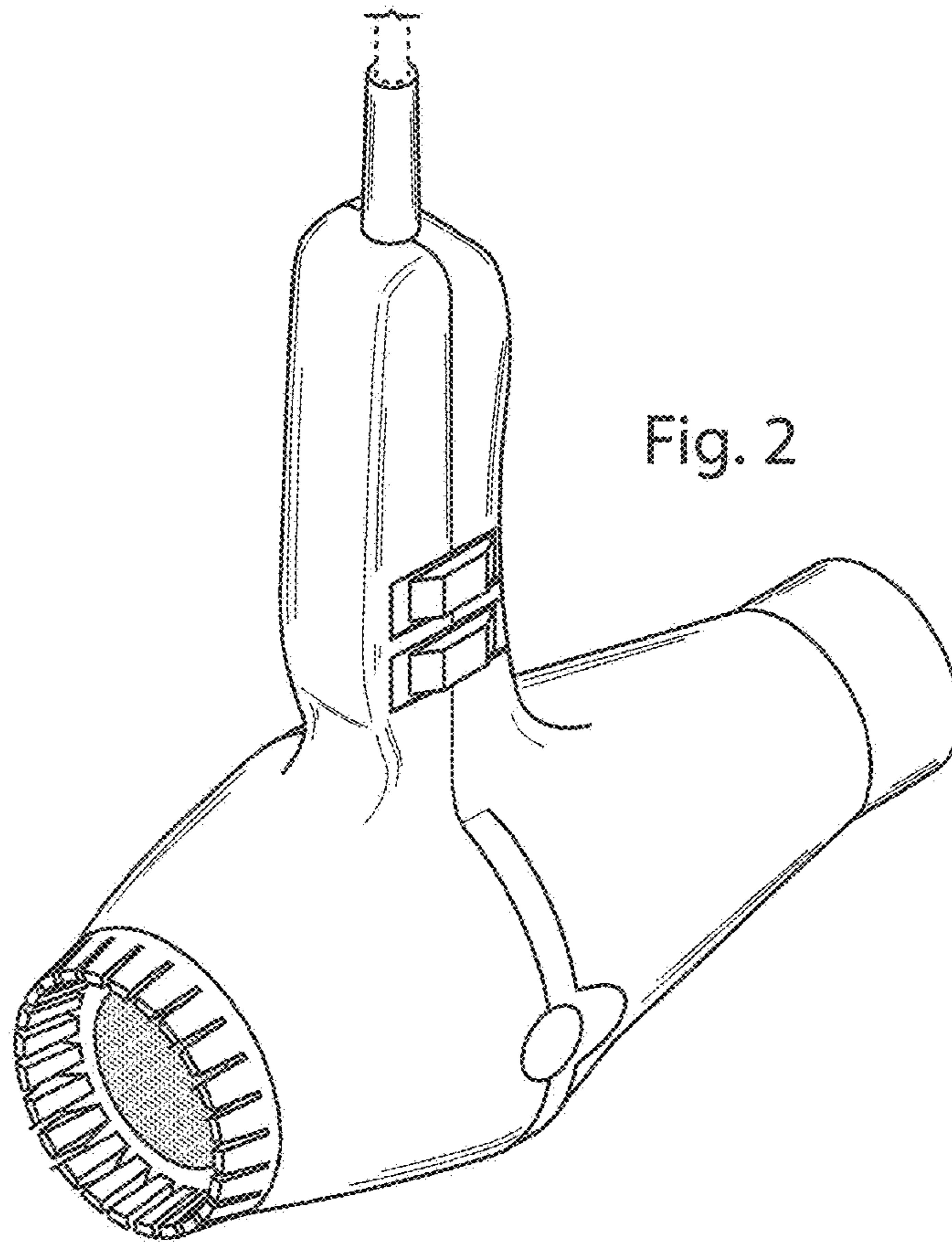
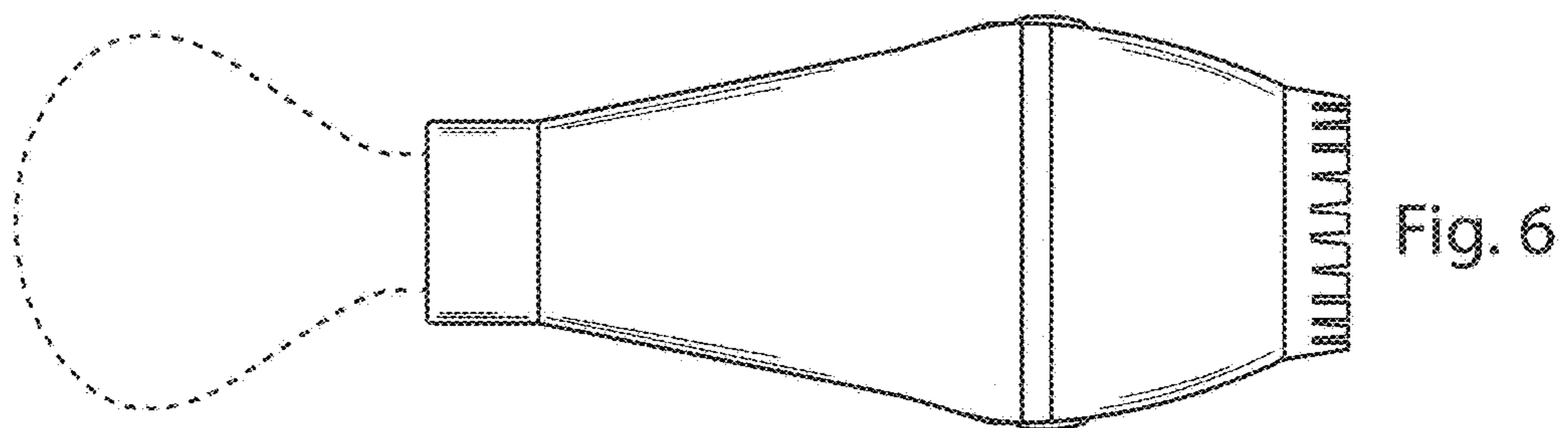
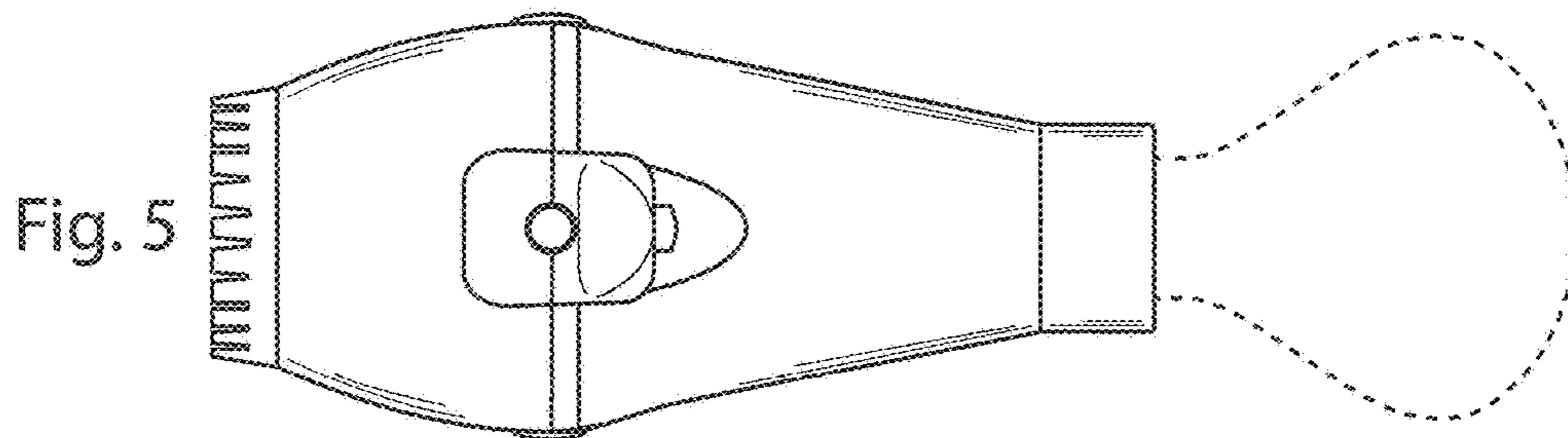
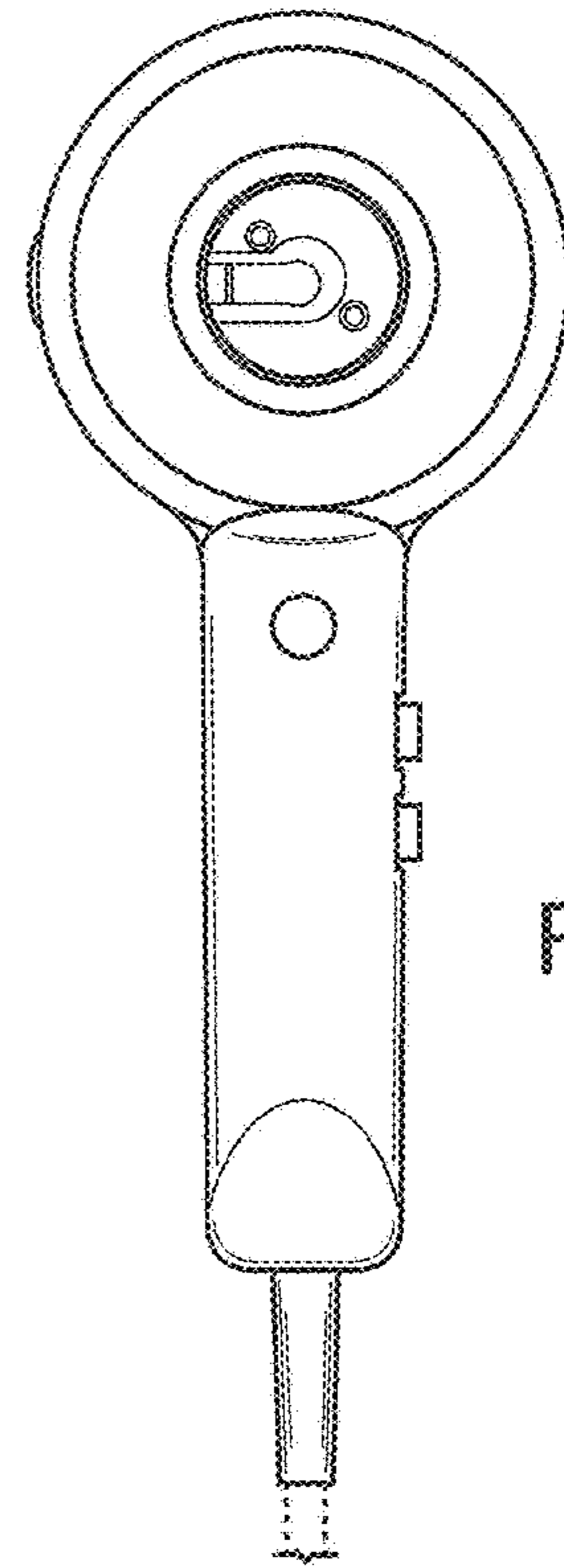
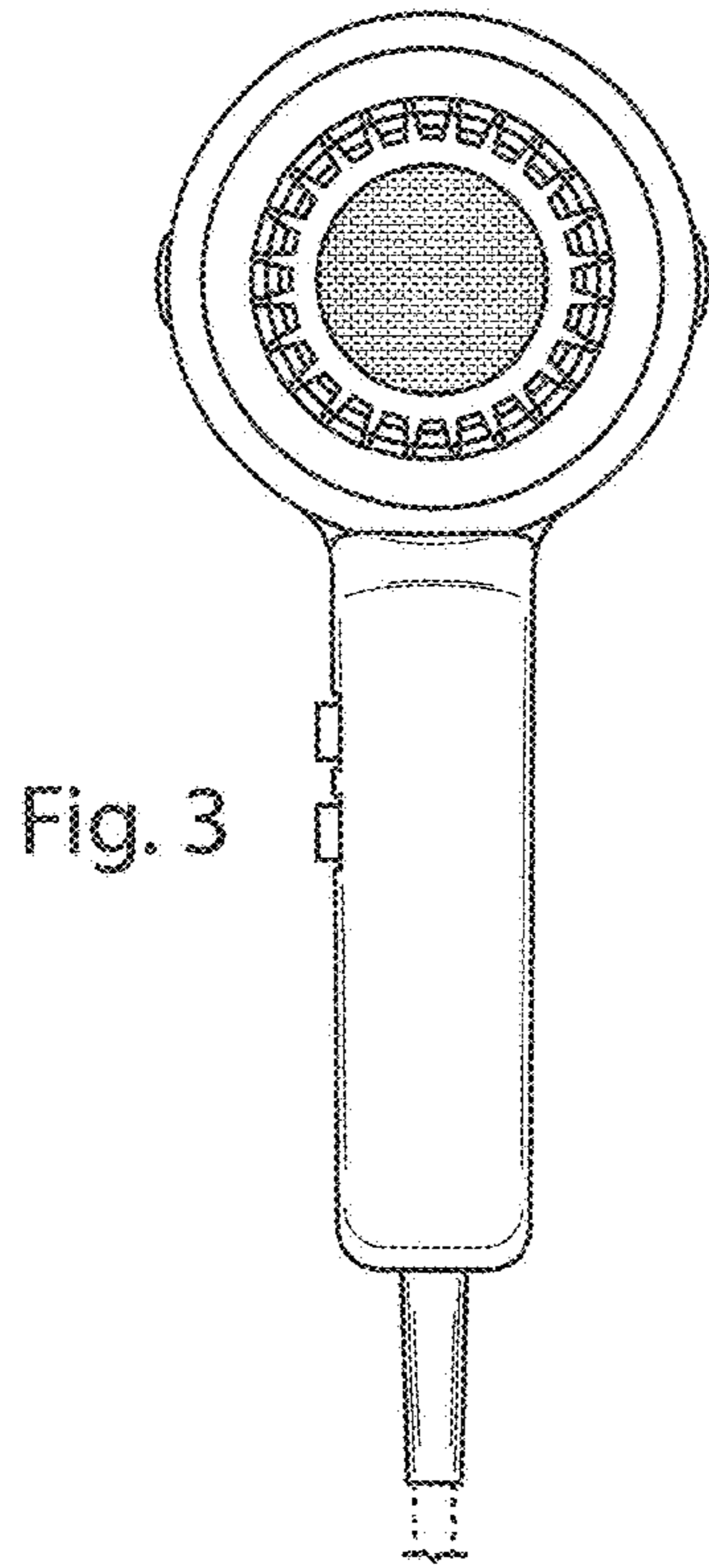
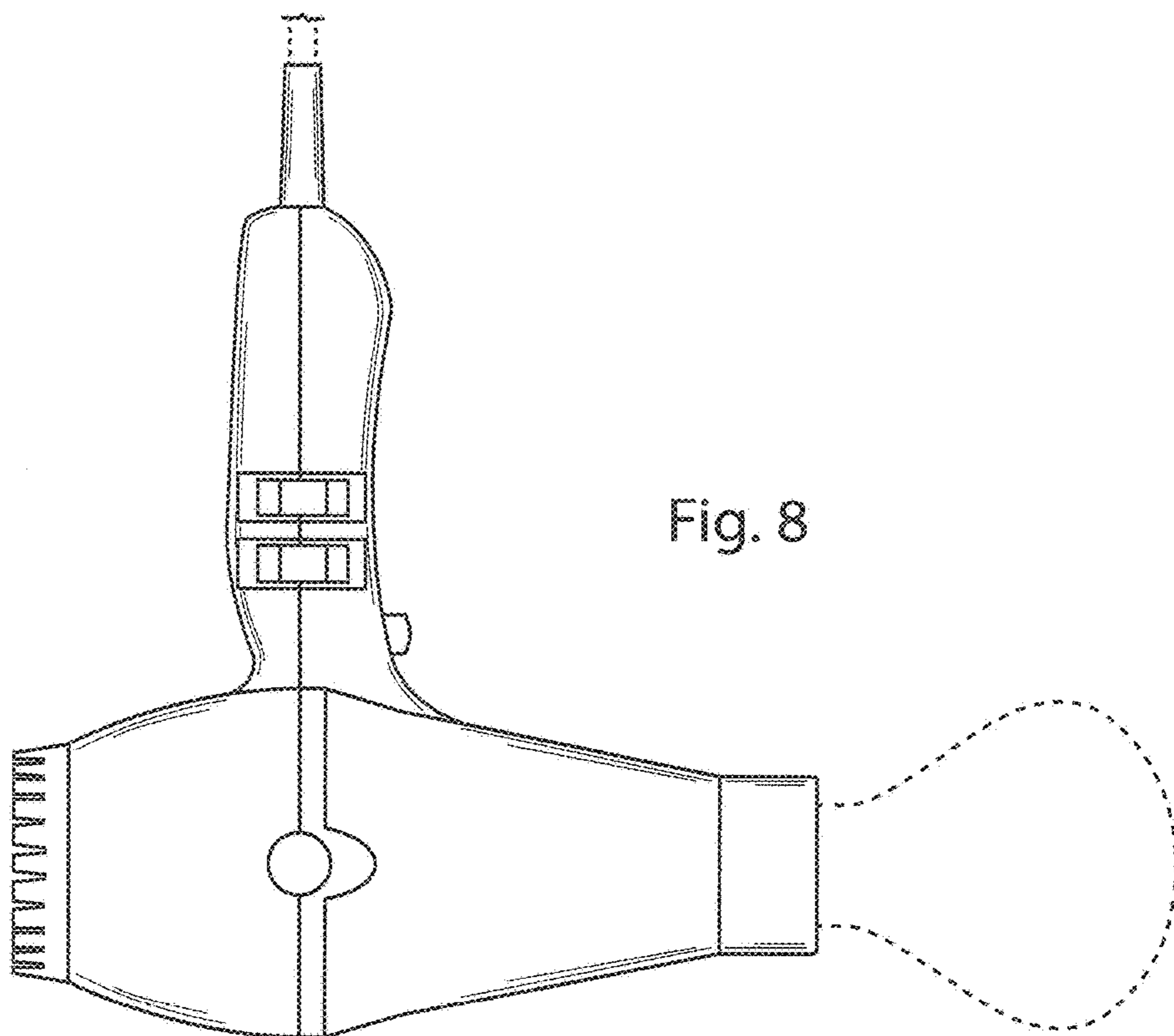
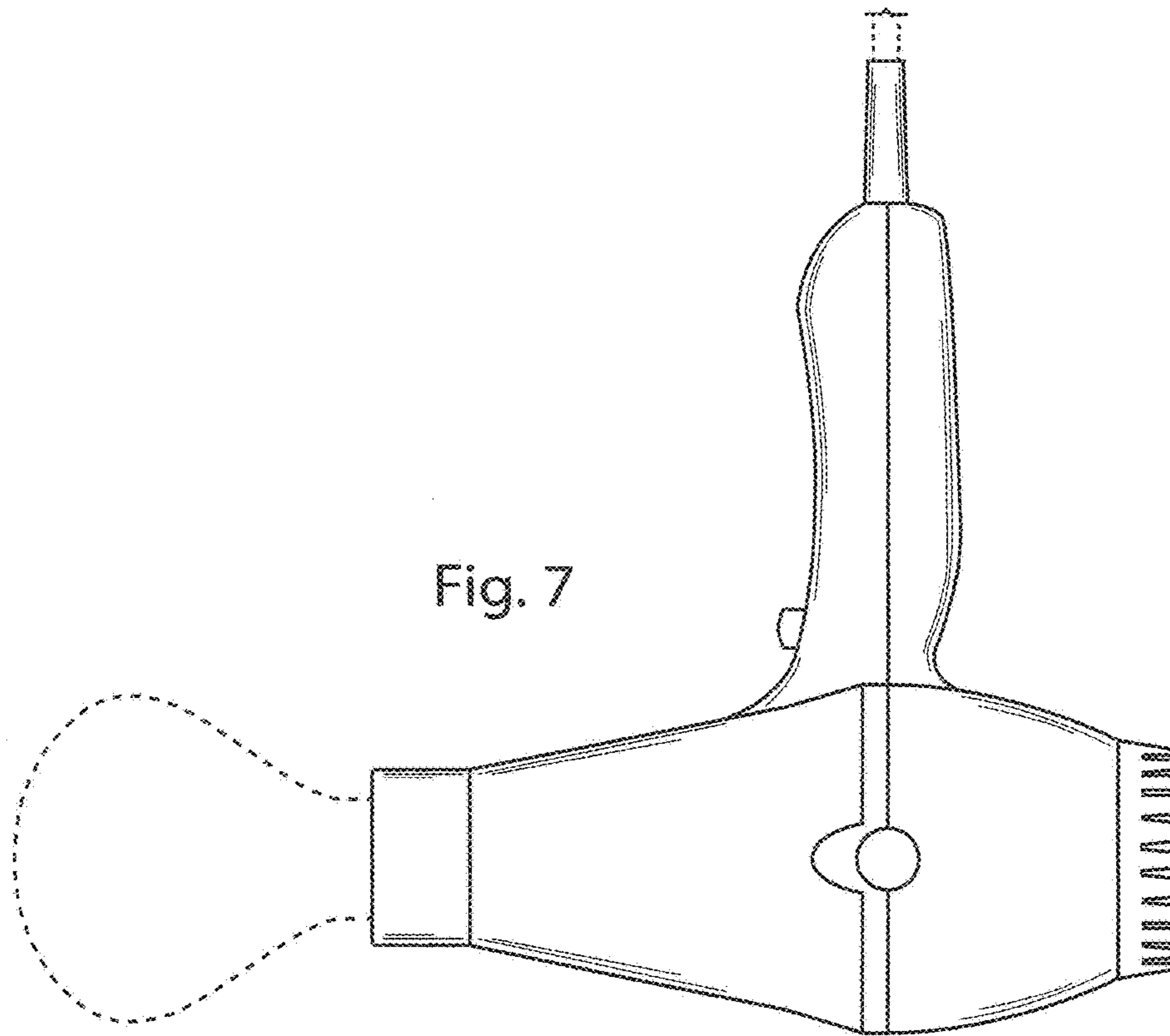


Fig. 2





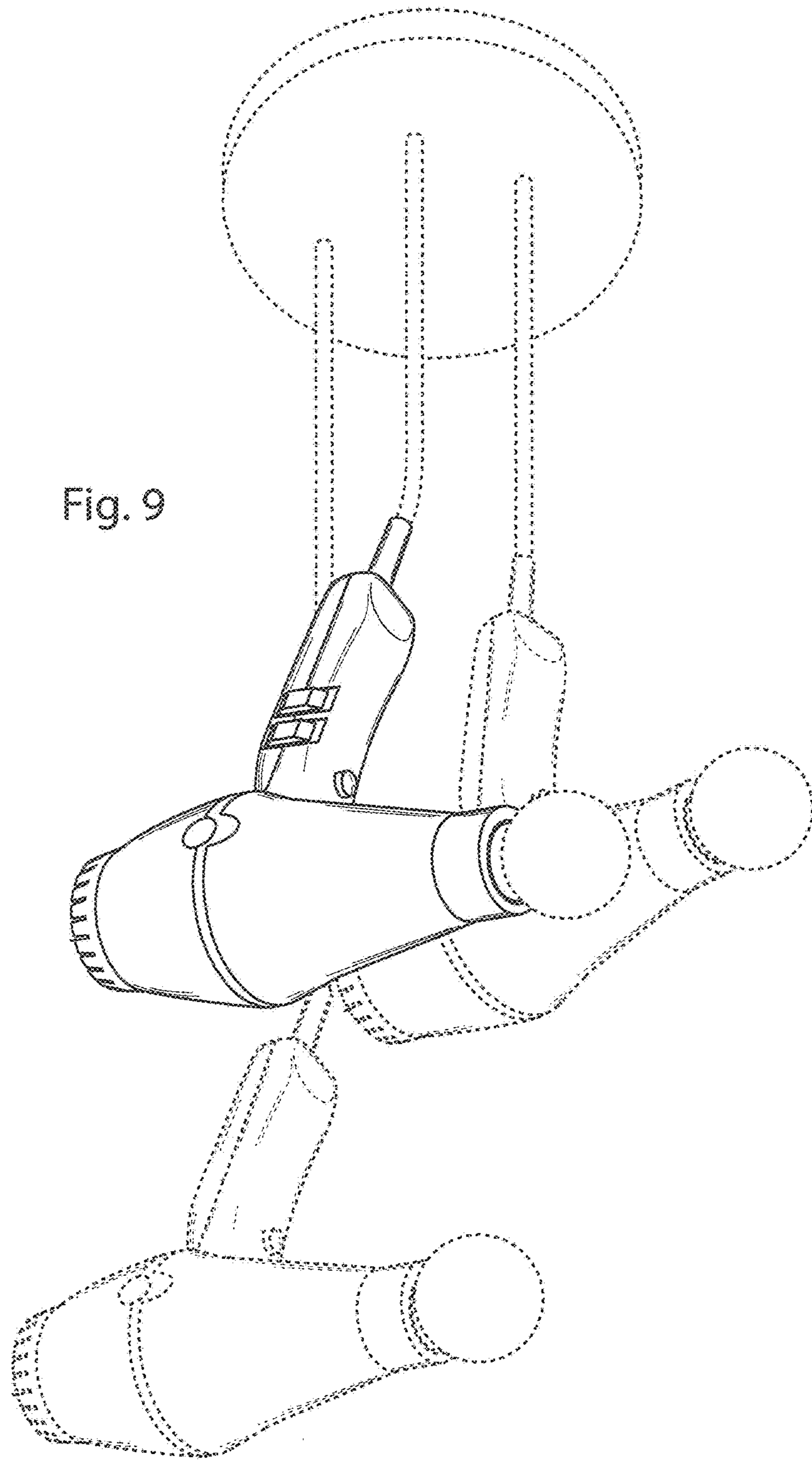


Fig. 9