



US00D849981S

(12) **United States Design Patent**  
**Hwa et al.**

(10) **Patent No.:** **US D849,981 S**

(45) **Date of Patent:** **\*\* May 28, 2019**

(54) **LASER LIGHT PROJECTOR**

D732,218 S *	6/2015	Ko	.....	D26/63
D773,707 S *	12/2016	Lentine	.....	D26/63
D797,974 S *	9/2017	Liang	.....	D26/63
D821,013 S *	6/2018	Mizobe	.....	D26/63

(71) Applicant: **Willis Electric Co., Ltd.**, Taipei (TW)

(72) Inventors: **Alec Hwa**, Taipei (TW); **Robert Parsons**, Taipei (TW)

\* cited by examiner

(73) Assignee: **Willis Electric Co., Ltd.**, Taipei (TW)

*Primary Examiner* — Brian N. Vinson

(\*\*) Term: **15 Years**

(74) *Attorney, Agent, or Firm* — Christensen, Fonder, Dardi & Herbert PLLC

(21) Appl. No.: **29/604,754**

(22) Filed: **May 19, 2017**

(57) **CLAIM**

(51) **LOC (11) Cl.** ..... **26-03**

We claim the ornamental design for a laser light projector, as shown and described.

(52) **U.S. Cl.**  
USPC ..... **D26/63**

(58) **Field of Classification Search**  
USPC ..... D26/24, 60-71, 85, 92, 113, 118, 119  
CPC ..... F21V 21/14; F21V 15/01; F21V 14/02;  
F21V 21/30; F21V 14/00; F21Y  
2105/001; F21S 8/00  
See application file for complete search history.

**DESCRIPTION**

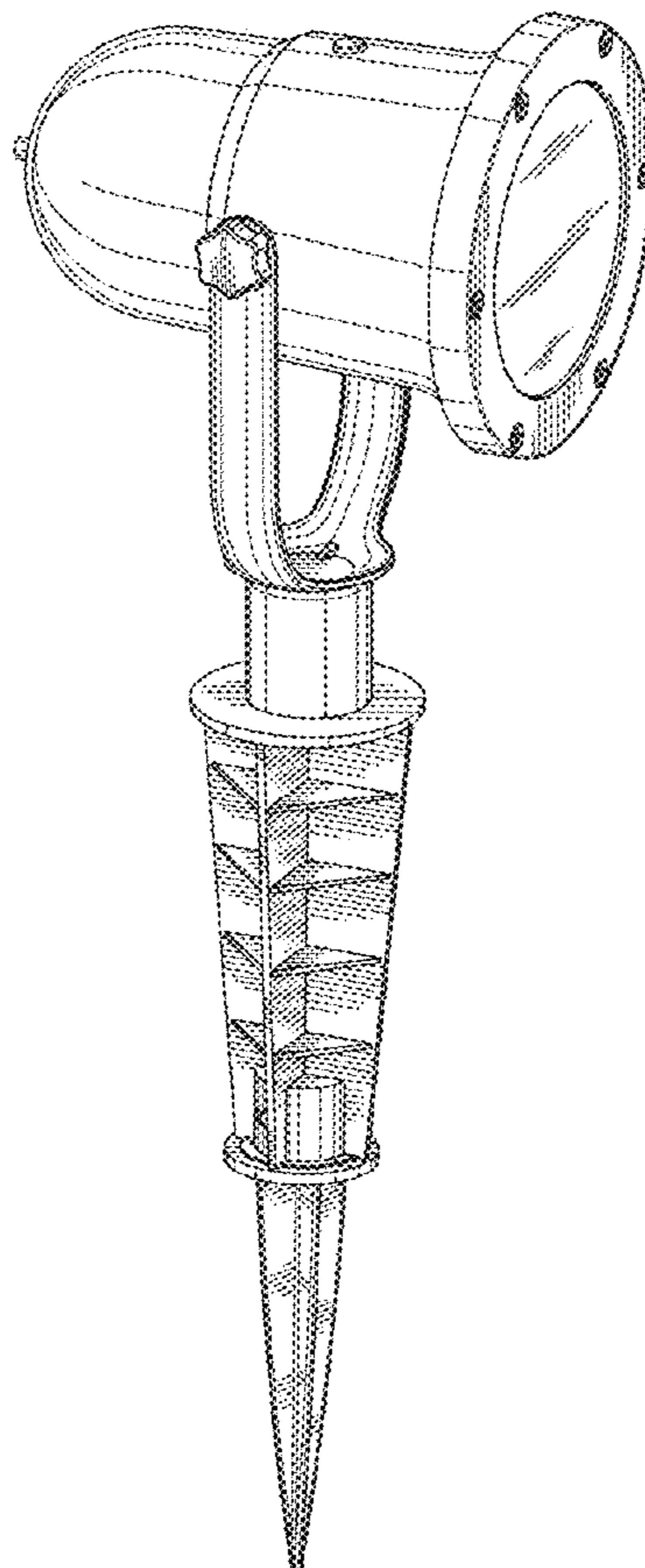
(56) **References Cited**

**U.S. PATENT DOCUMENTS**

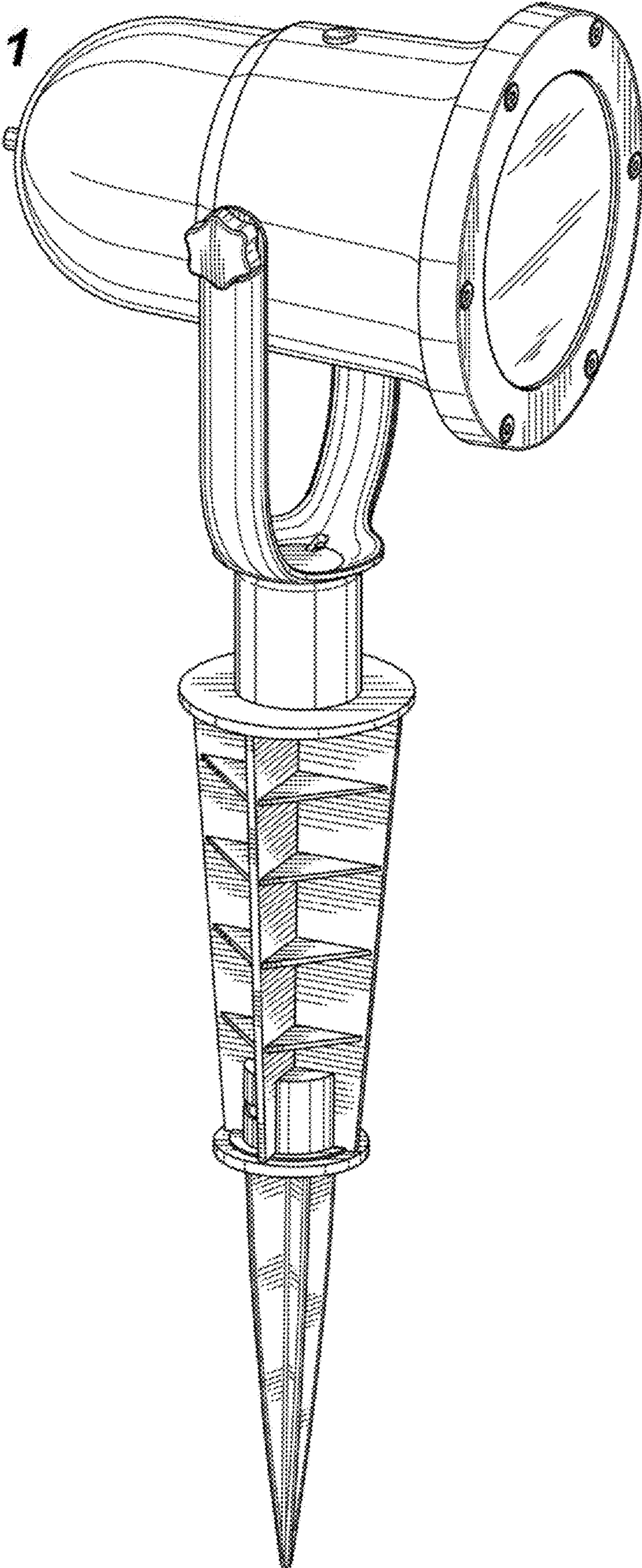
6,612,720 B1 *	9/2003	Beadle	.....	F21V 17/02
				362/287
D542,959 S *	5/2007	Yao	.....	D26/63

FIG. 1 is a front corner perspective view of a laser light projector according to the invention.  
FIG. 2 is a front elevational view of the projector.  
FIG. 3 is a right side elevational view of the projector.  
FIG. 4 is a rear elevational view of the projector.  
FIG. 5 is a left side elevational view of the projector.  
FIG. 6 is a top plan view of the projector; and,  
FIG. 7 is a bottom plan view of the projector.

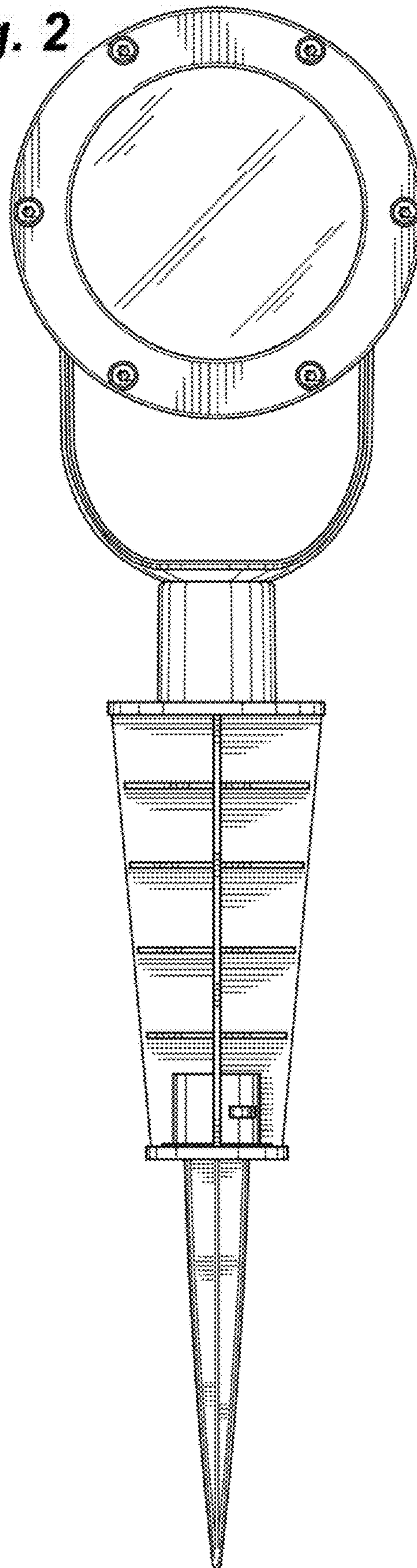
**1 Claim, 6 Drawing Sheets**



**Fig. 1**

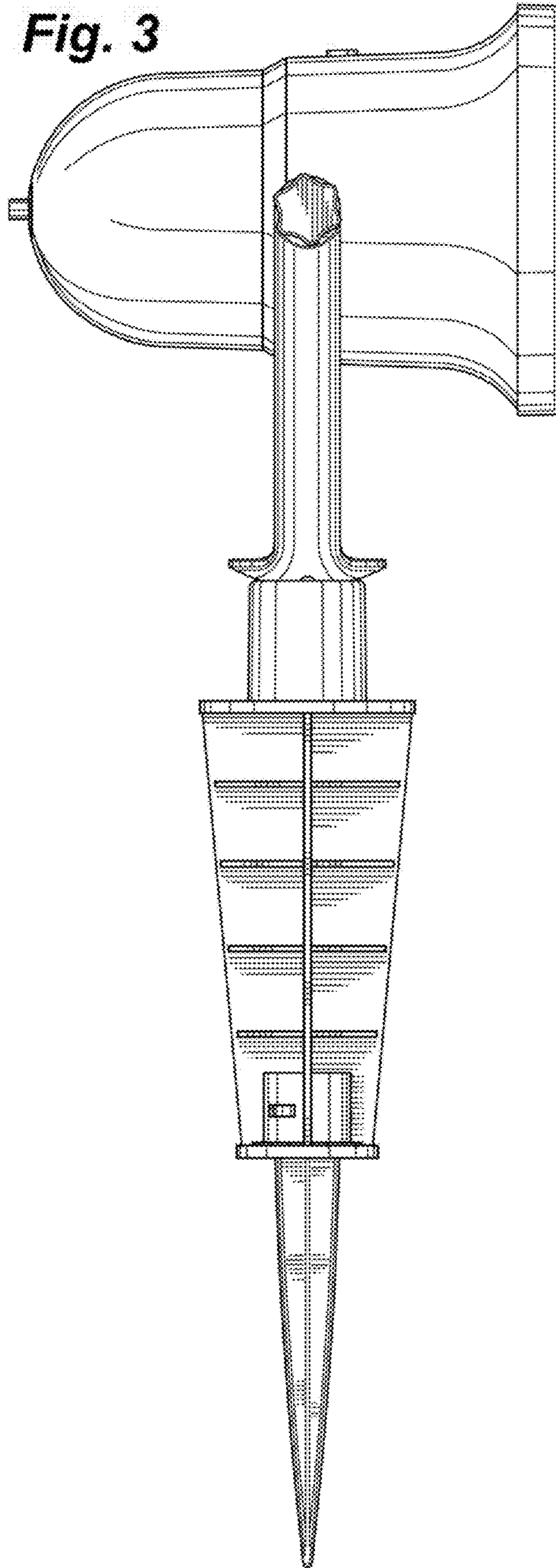


**Fig. 2**

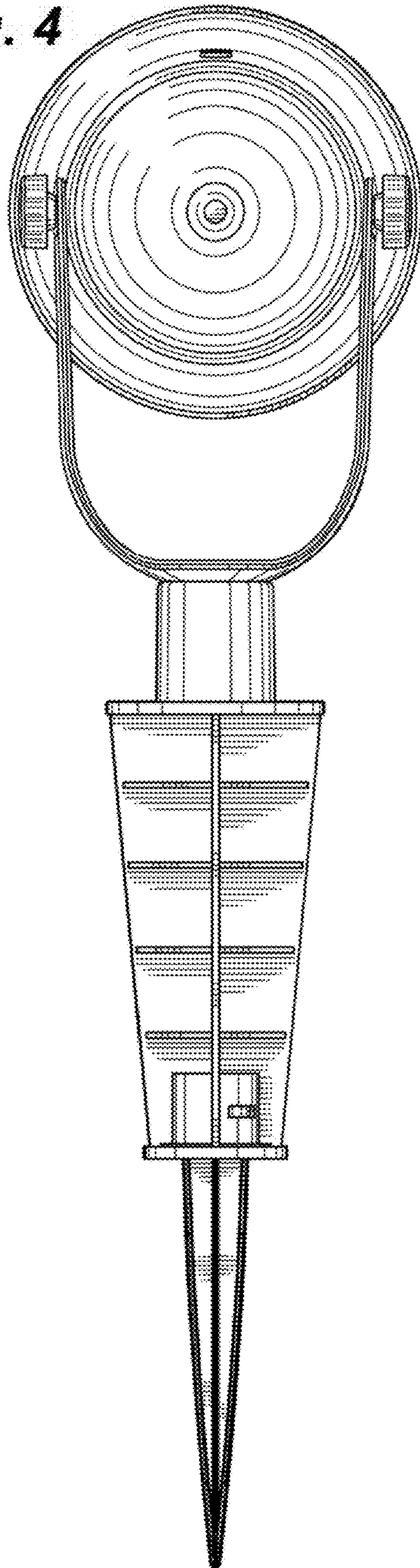


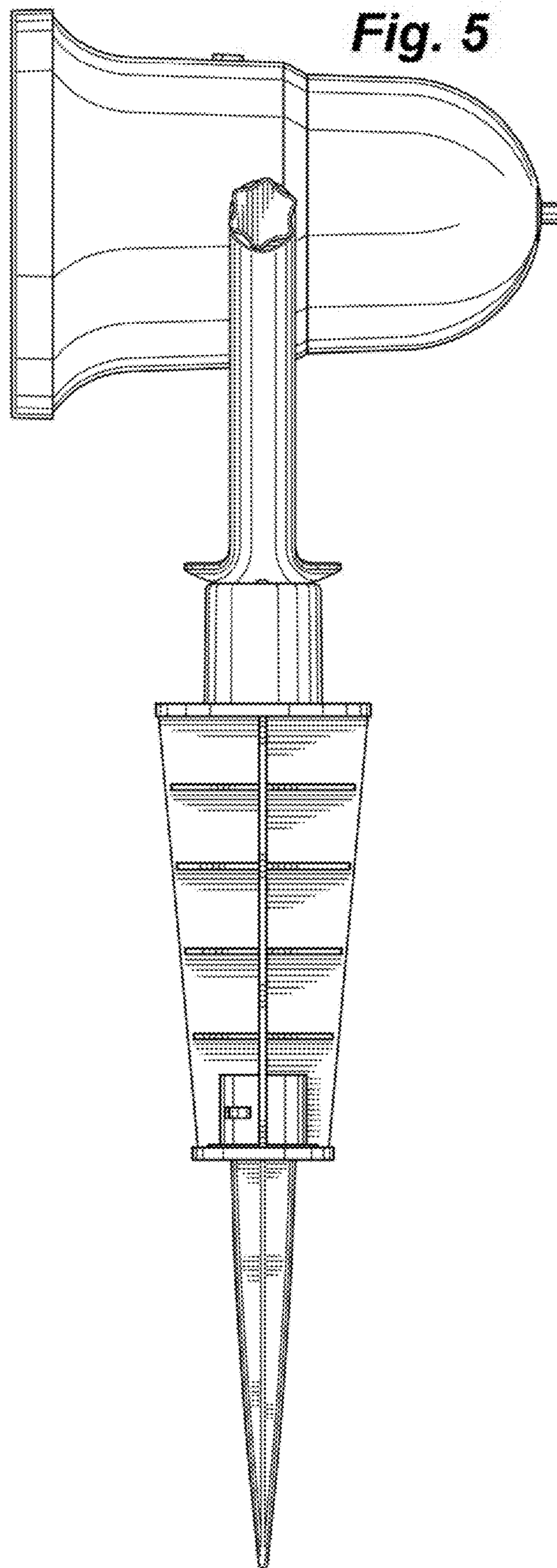


**Fig. 3**

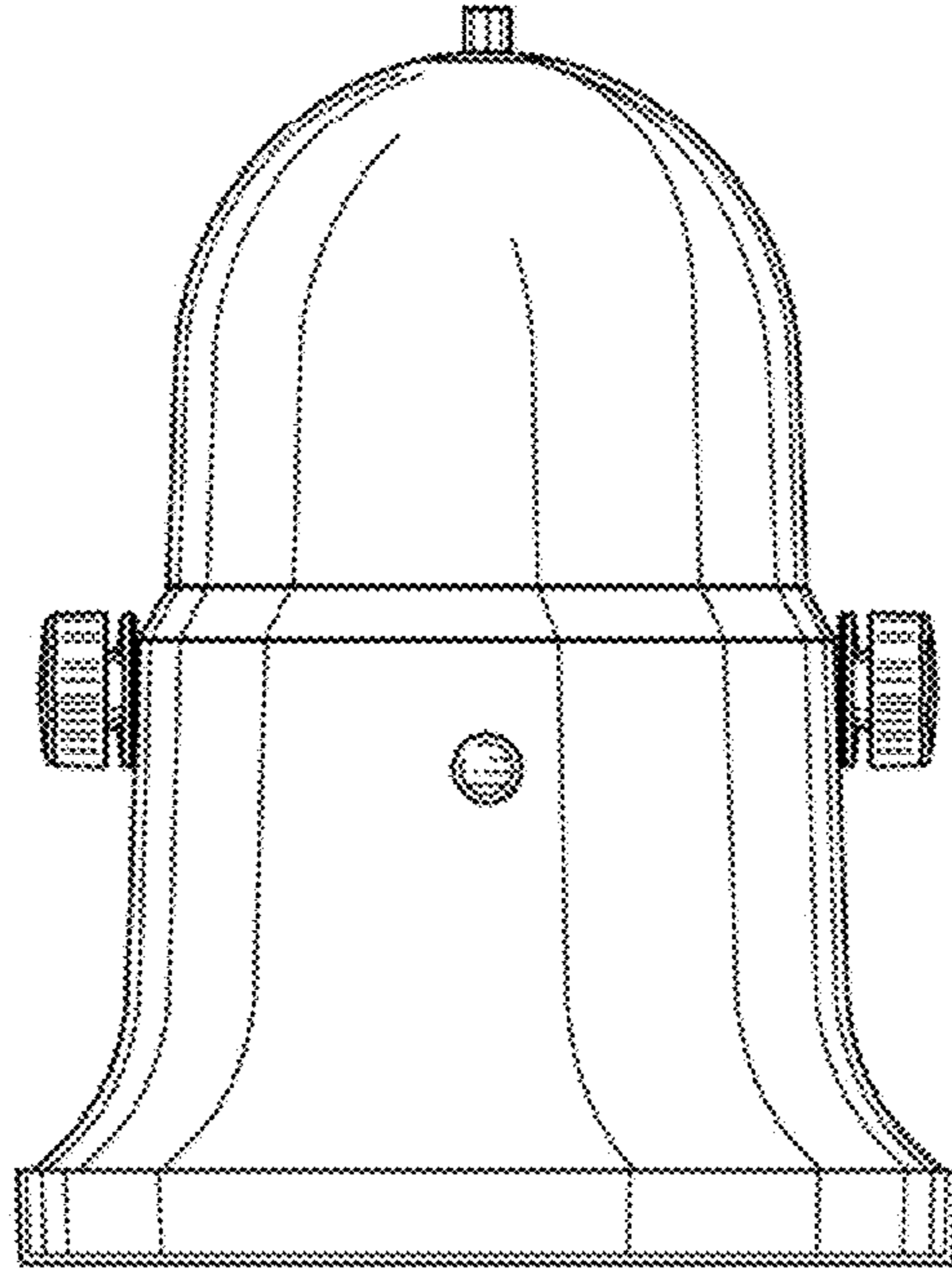


**Fig. 4**





**Fig. 6**



**Fig. 7**

