



US00D849980S

(12) **United States Design Patent**  
**Yager Grad**

(10) **Patent No.:** **US D849,980 S**

(45) **Date of Patent:** **\*\* May 28, 2019**

(54) **LIGHT FOR A GATE**

(71) Applicant: **North States Industries, Inc.**, Blaine, MN (US)

(72) Inventor: **Julie Ann Yager Grad**, Deephaven, MN (US)

(73) Assignee: **NORTH STATES INDUSTRIES, INC.**, Blaine, MN (US)

(\*\*) Term: **15 Years**

(21) Appl. No.: **29/605,022**

(22) Filed: **May 23, 2017**

(51) **LOC (11) Cl.** ..... **26-03**

(52) **U.S. Cl.**  
USPC ..... **D26/51**

(58) **Field of Classification Search**  
USPC ..... D26/28, 51, 60-63  
CPC .... B62J 6/001; B62J 6/02; B62J 6/003; F16B 2/06; G08B 21/0202; F21S 4/00; F21V 21/00  
See application file for complete search history.

(56) **References Cited**

**U.S. PATENT DOCUMENTS**

D336,351 S \* 6/1993 Freese ..... D26/60  
6,079,157 A 6/2000 Hincer, Sr.

6,114,963 A \* 9/2000 Blake ..... G08B 21/0202  
340/521  
6,658,678 B2 \* 12/2003 Hotaling ..... F16B 2/06  
446/227  
6,691,467 B2 2/2004 Hincer, Sr.  
D525,318 S \* 7/2006 Campbell ..... D26/51  
7,178,792 B2 2/2007 Monahan et al.  
7,318,298 B2 1/2008 Marsden et al.  
D642,714 S \* 8/2011 Chuah ..... D26/60  
D765,296 S \* 8/2016 Wei ..... D26/60  
D787,729 S \* 5/2017 Jin ..... D26/60  
D809,174 S \* 1/2018 Liang ..... D26/60  
2016/0245501 A1 8/2016 Dunn et al.

\* cited by examiner

*Primary Examiner* — Brian N. Vinson

(74) *Attorney, Agent, or Firm* — Merchant & Gould P.C.

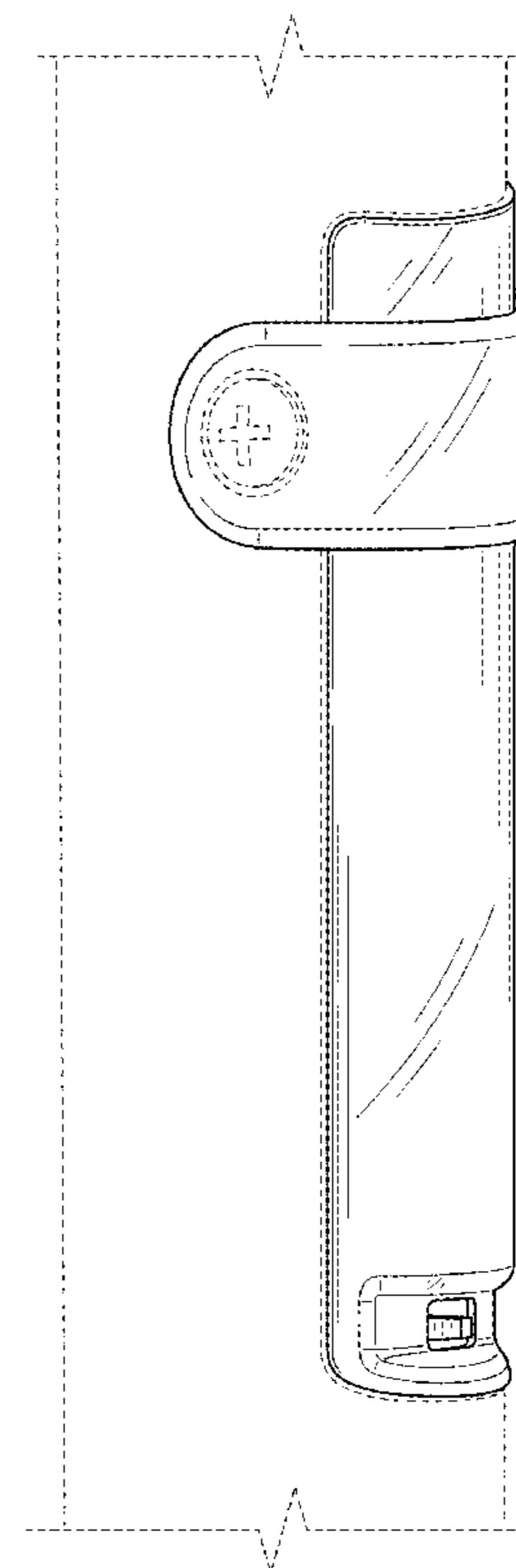
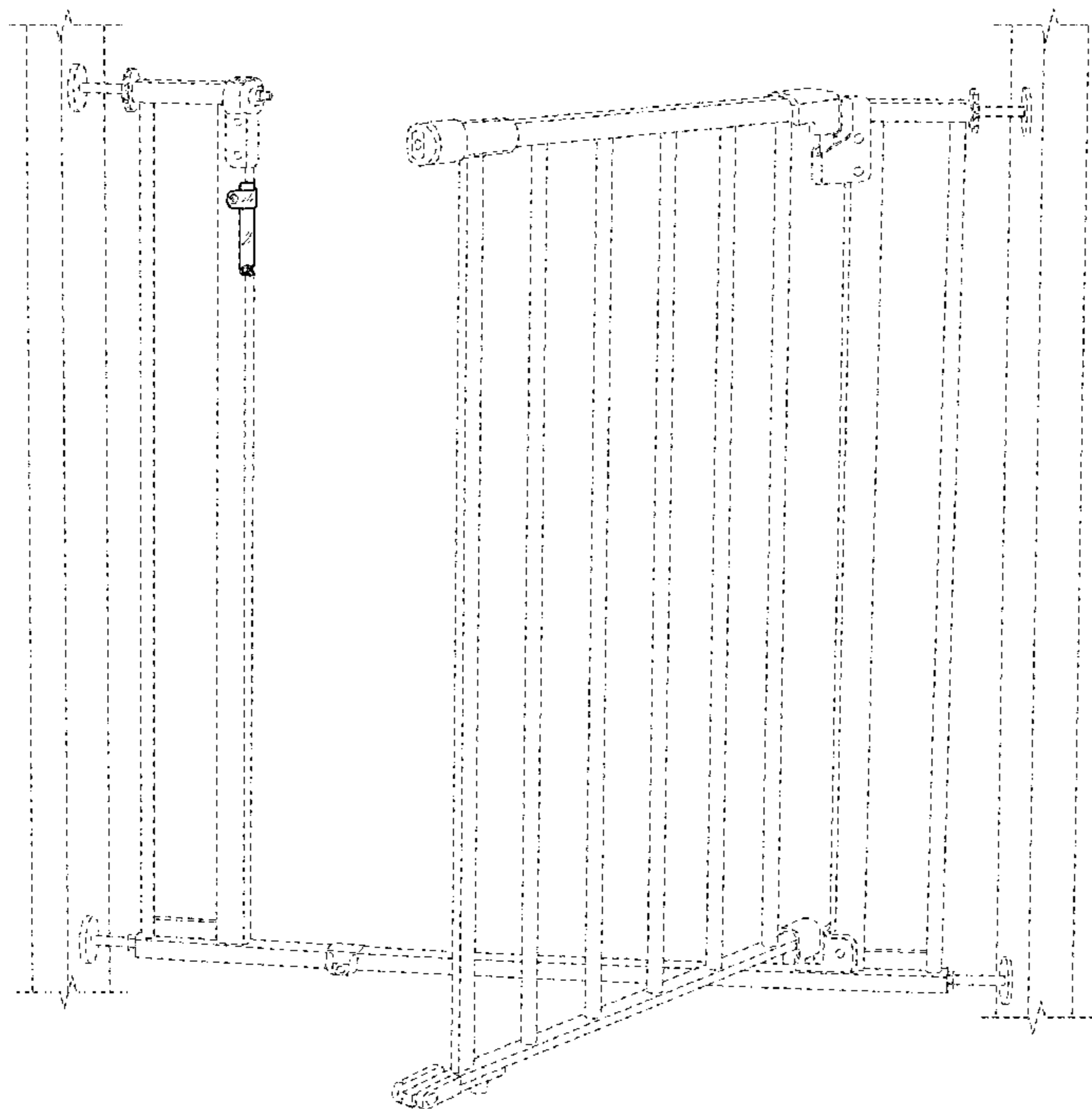
(57) **CLAIM**

The ornamental design for a light for a gate, as shown and described.

**DESCRIPTION**

FIG. 1 is a side perspective view of a light for a gate;  
FIG. 2 is an enlarged front perspective view thereof;  
FIG. 3 is an enlarged side elevational view thereof; and,  
FIG. 4 is an enlarged front elevational view thereof.  
The broken line disclosure of portions of a gate structure is intended to show environment, and forms no part of the claimed design.

**1 Claim, 4 Drawing Sheets**



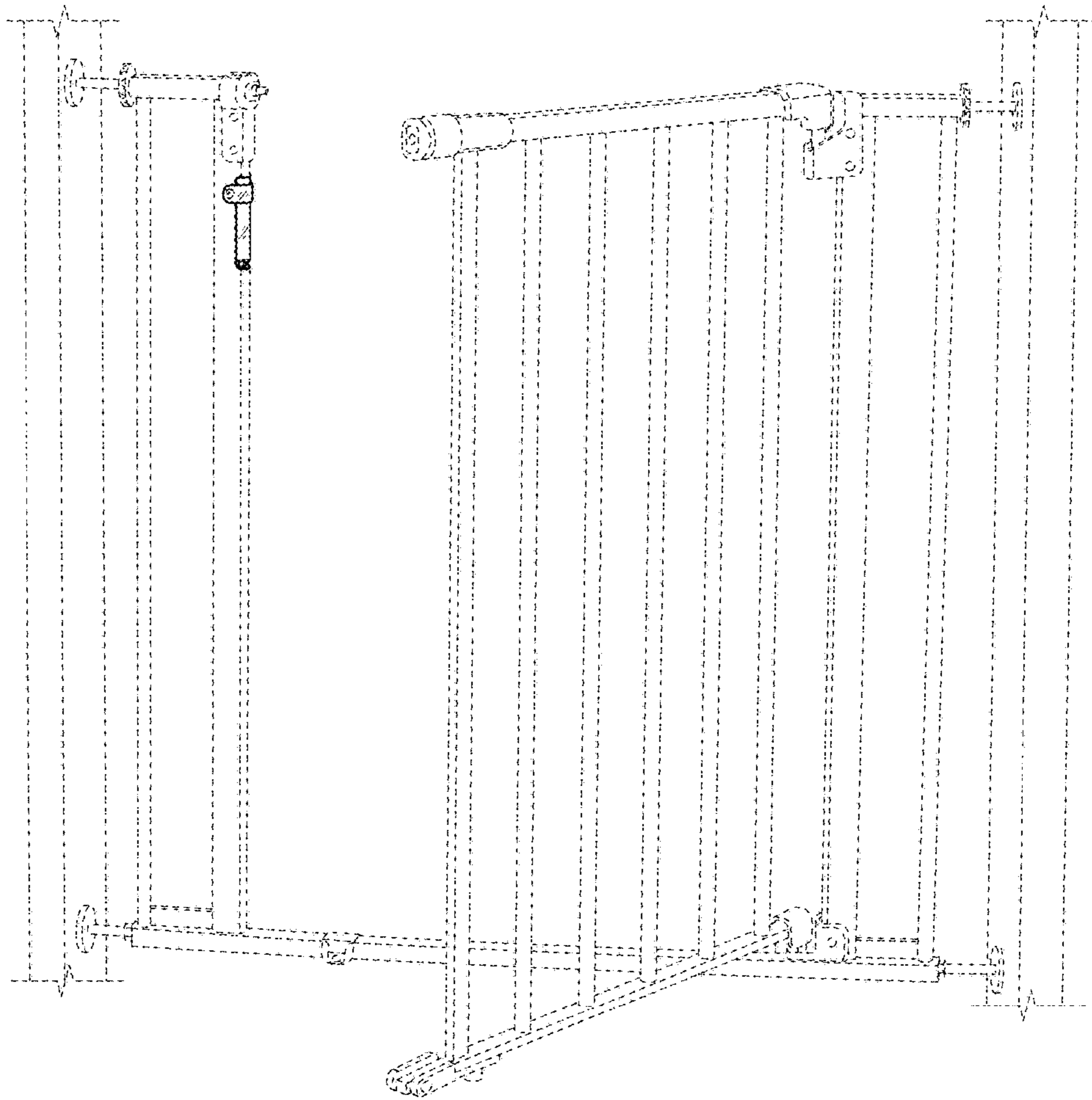


FIG. 1

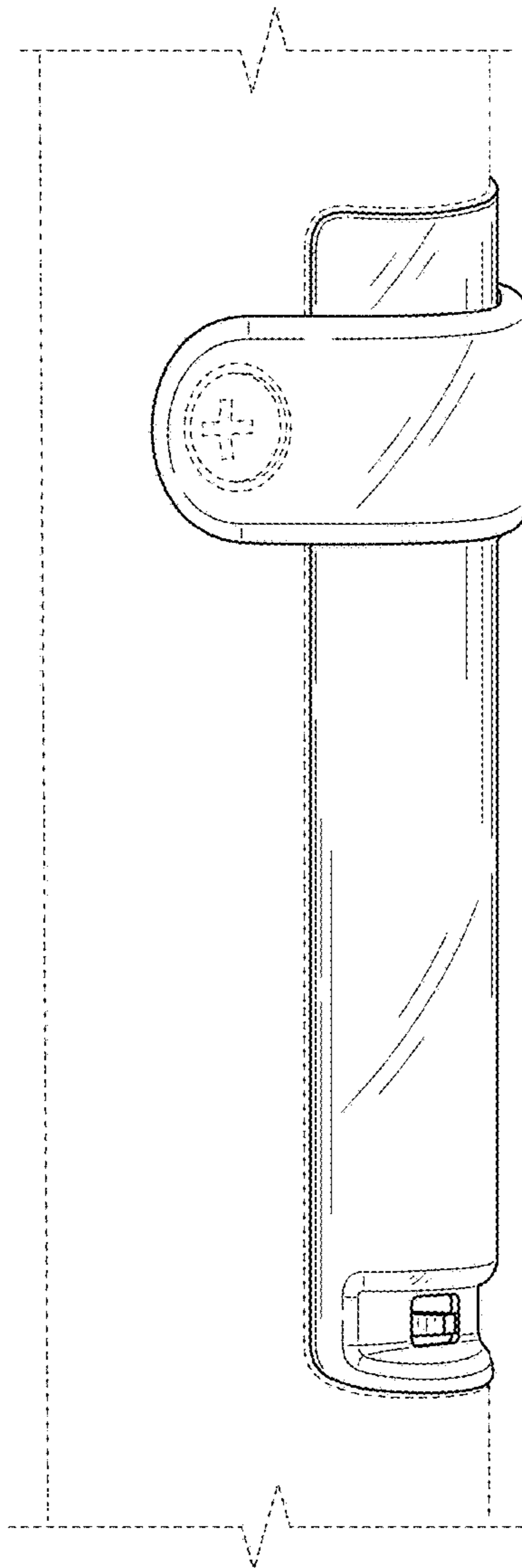


FIG. 2

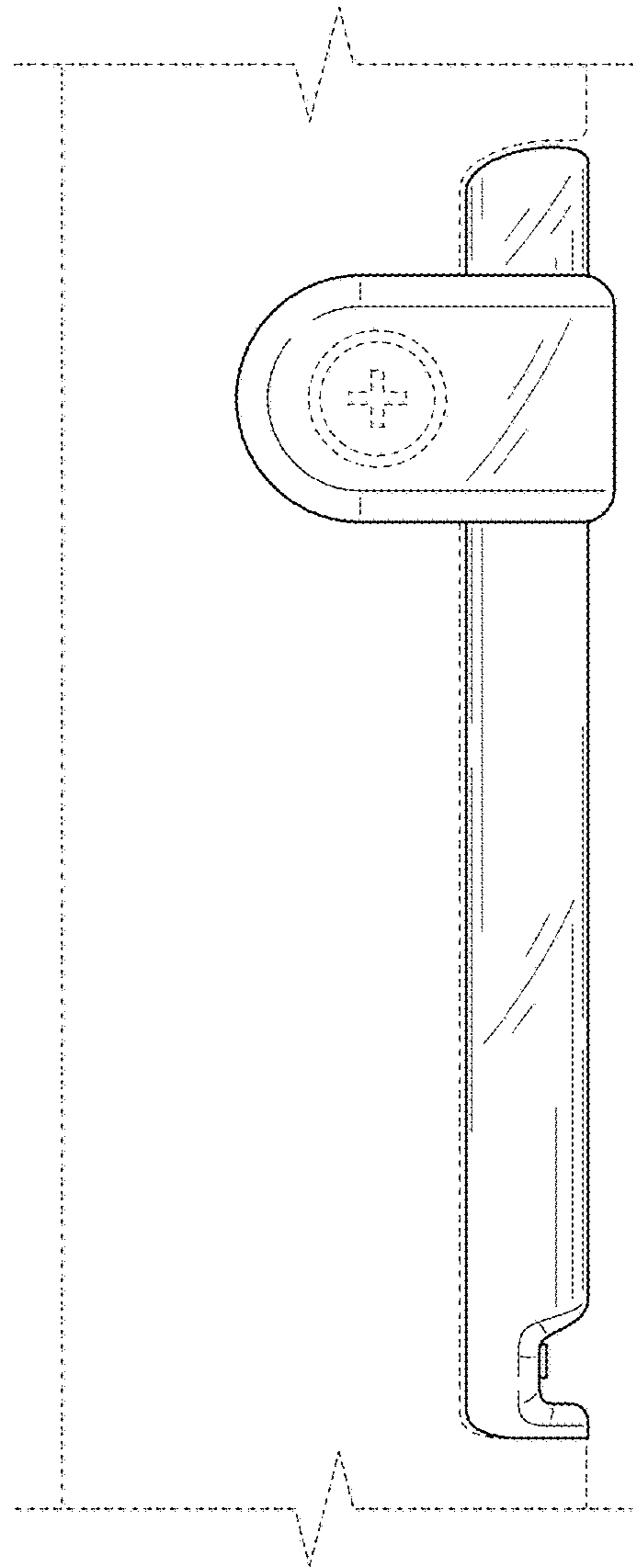


FIG. 3

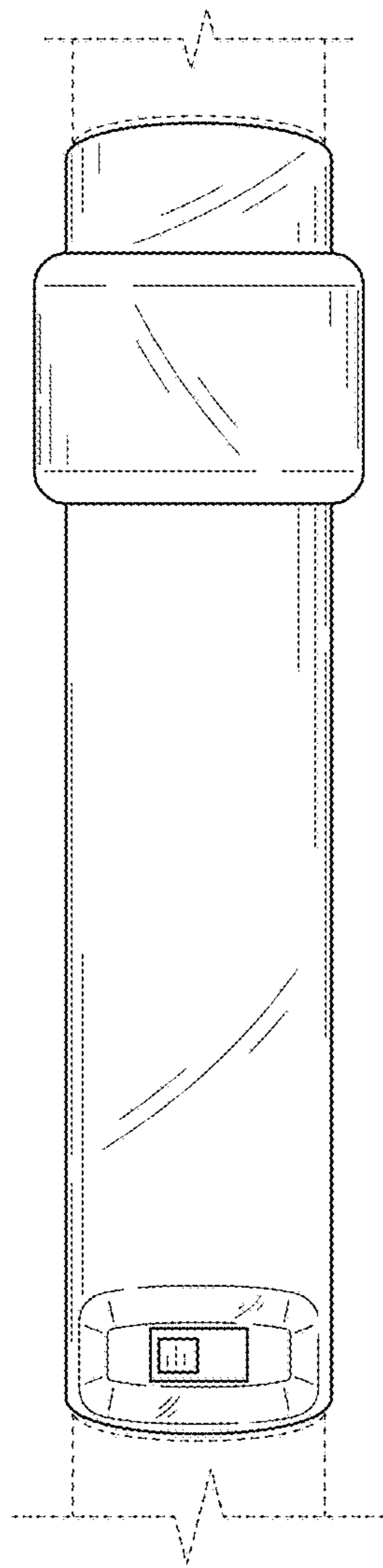


FIG. 4