



US00D849978S

(12) **United States Design Patent**
Pan

(10) **Patent No.:** **US D849,978 S**

(45) **Date of Patent:** **** *May 28, 2019**

(54) **PEN TORCH**

(71) Applicant: **L.A. Lighter Inc.**, La Puente, CA (US)

(72) Inventor: **Phillip Pan**, La Puente, CA (US)

(*) Notice: This patent is subject to a terminal disclaimer.

(**) Term: **15 Years**

(21) Appl. No.: **29/559,460**

(22) Filed: **Mar. 28, 2016**

(51) **LOC (11) Cl.** **26-02**

(52) **U.S. Cl.**
USPC **D26/49; D26/41; D26/51**

(58) **Field of Classification Search**
USPC D26/37, 38, 40, 42, 44, 46, 51, 49
CPC F21L 2003/00; F21L 4/00; F21L 4/005;
F21L 4/02; F21L 4/025; F21L 4/027;
F21L 4/04; F21L 4/08; F21L 2005/00;
F21L 7/00; F21L 11/00; F21L 13/00;
F21L 13/04; F21L 13/08; F21L 14/02;
F21L 17/00; F21L 19/00

See application file for complete search history.

(56) **References Cited**

U.S. PATENT DOCUMENTS

D275,956 S * 10/1984 Culp D14/431
D359,482 S * 6/1995 Huang D26/37
D429,831 S * 8/2000 Ting D26/37

D485,925 S * 1/2004 Oas D26/38
D517,023 S * 3/2006 Kumagai D13/168
D531,334 S * 10/2006 Lin D26/37
D537,181 S * 2/2007 Chen D14/480.3
D582,915 S * 12/2008 Leung D14/480.3
D706,105 S * 6/2014 Wu D8/85

* cited by examiner

Primary Examiner — Lakiya Rogers

Assistant Examiner — Carissa C Fitts

(74) *Attorney, Agent, or Firm* — Tommy SF Wang; Wang IP Law Group, P.C.

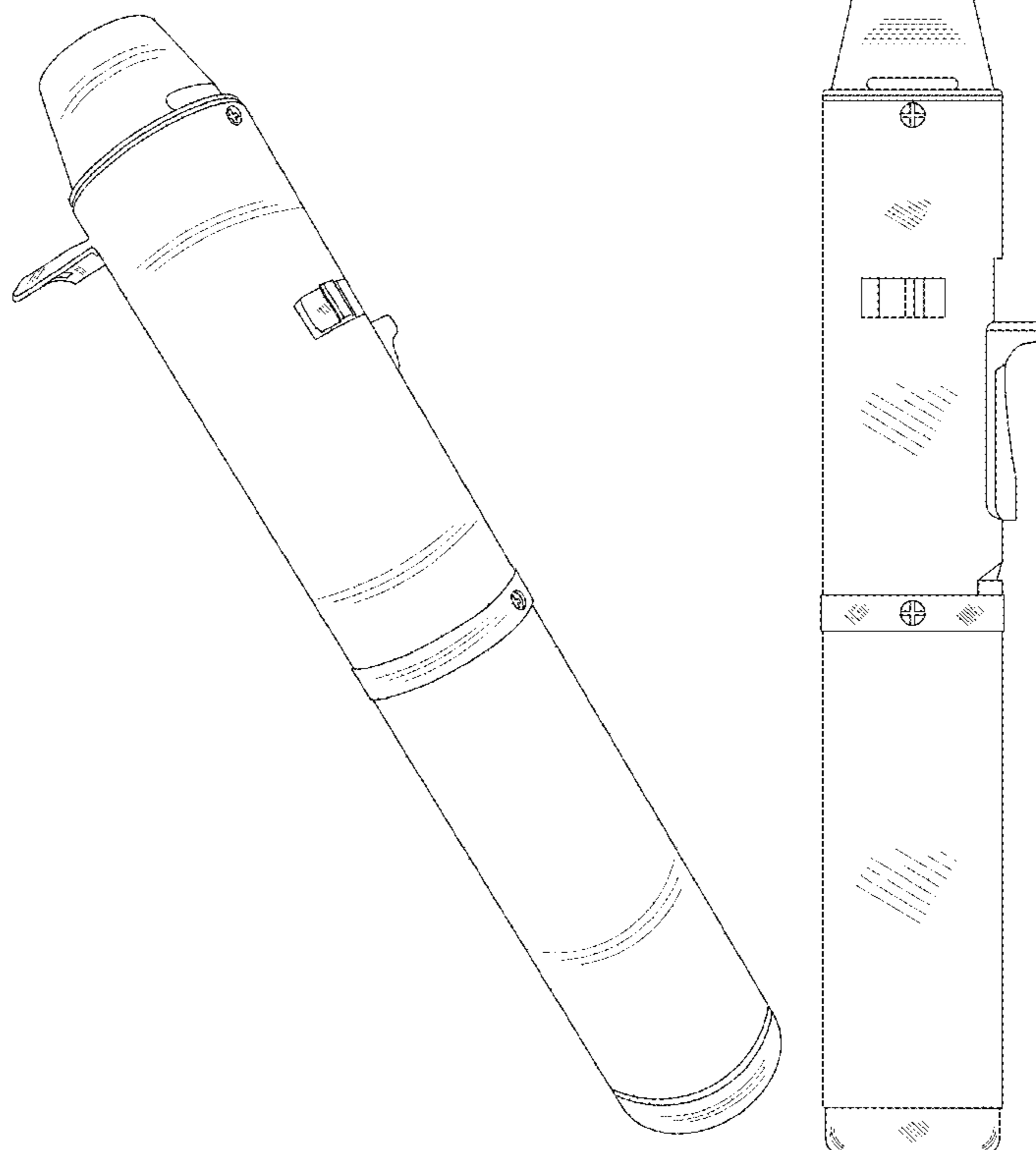
(57) **CLAIM**

The ornamental design for a pen torch, as shown and described.

DESCRIPTION

FIG. 1 is a perspective view of an pen torch, showing my new design;
FIG. 2 is a front elevational view thereof;
FIG. 3 is a rear elevational view thereof;
FIG. 4 is a left side elevational view thereof;
FIG. 5 is a ride side elevational view thereof;
FIG. 6 is a top plan view thereof, and the broken lines show unclaimed portions of the pen torch and form no part of the claimed design; and,
FIG. 7 is a bottom plan view thereof, and the broken lines show unclaimed portions of the pen torch and form no part of the claimed design.

1 Claim, 4 Drawing Sheets



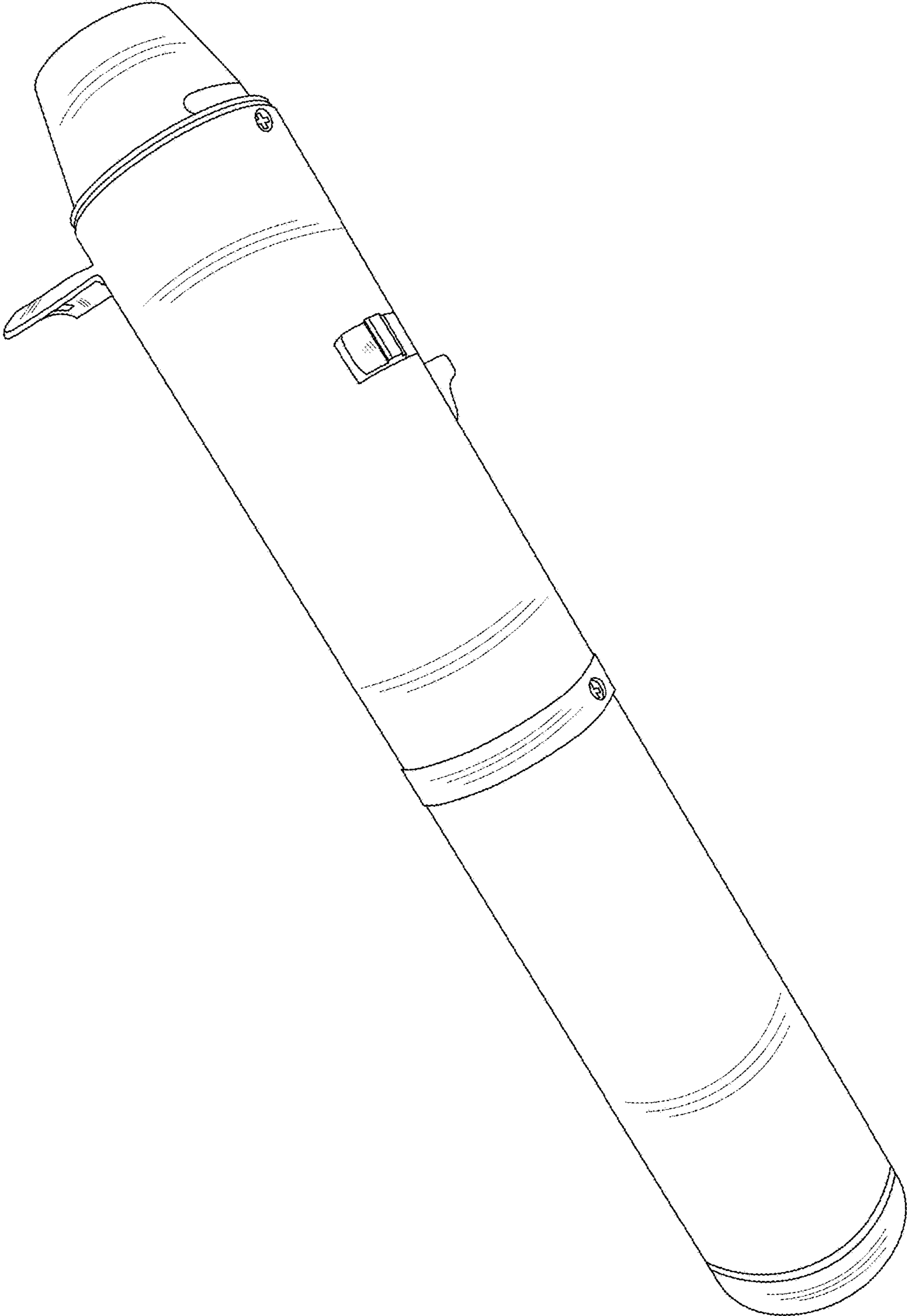


FIG. 1

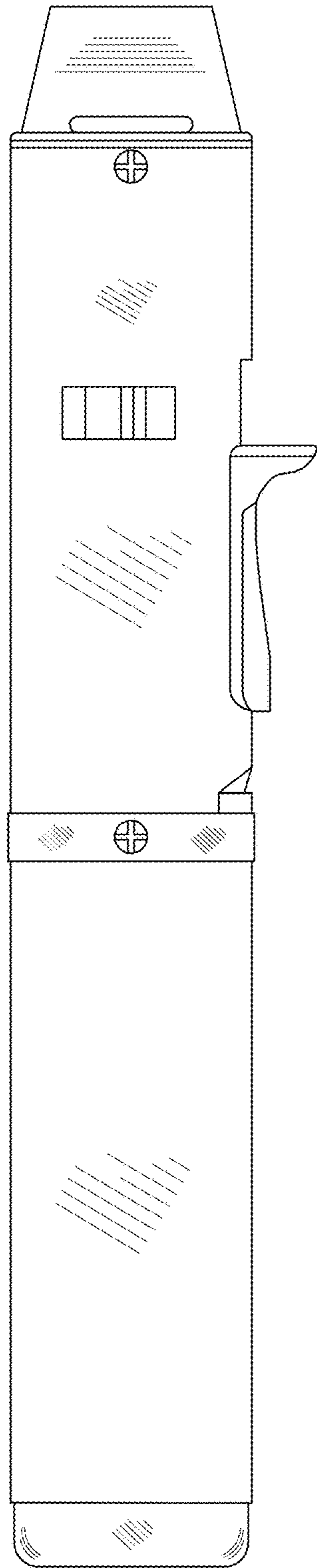


FIG. 2

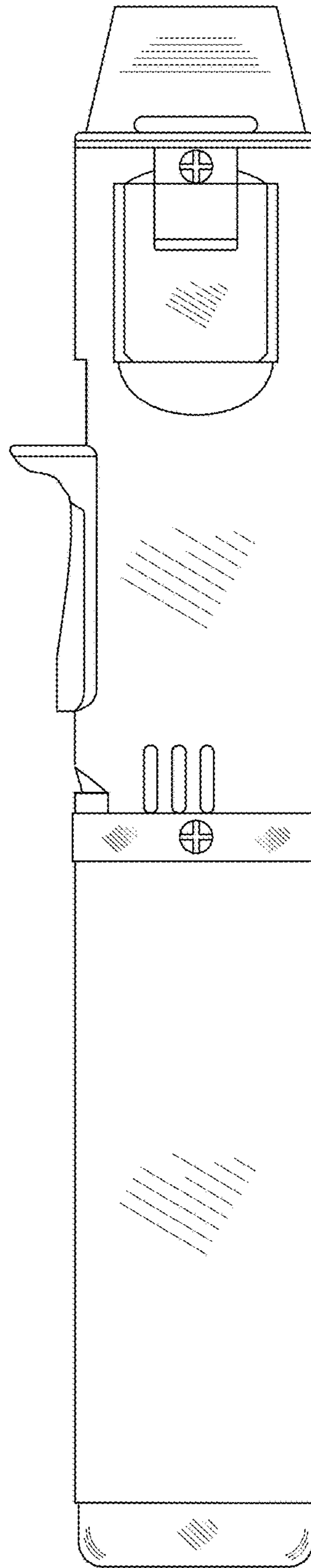


FIG. 3

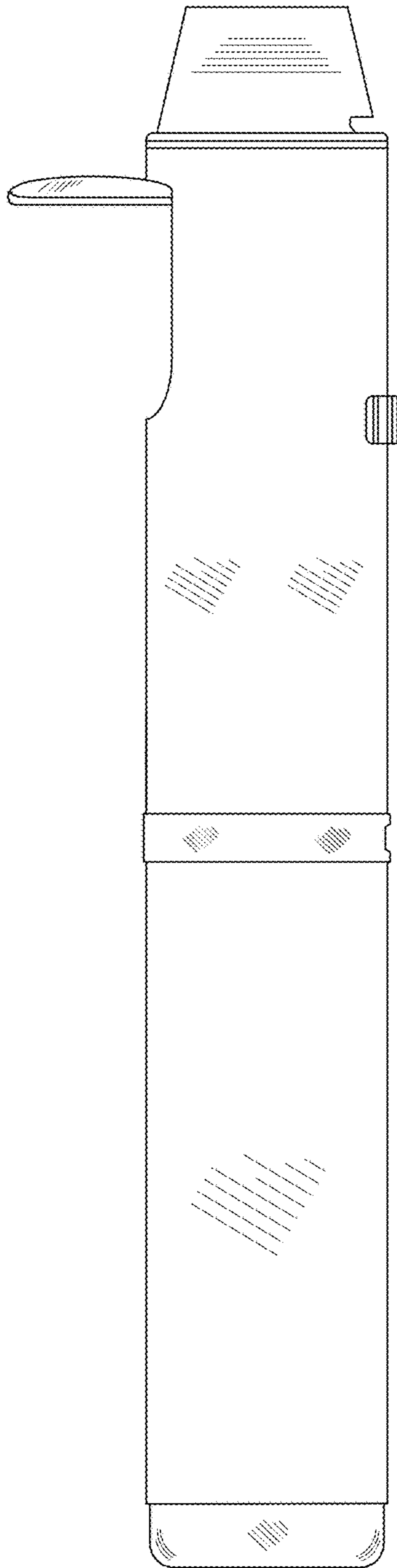


FIG. 4

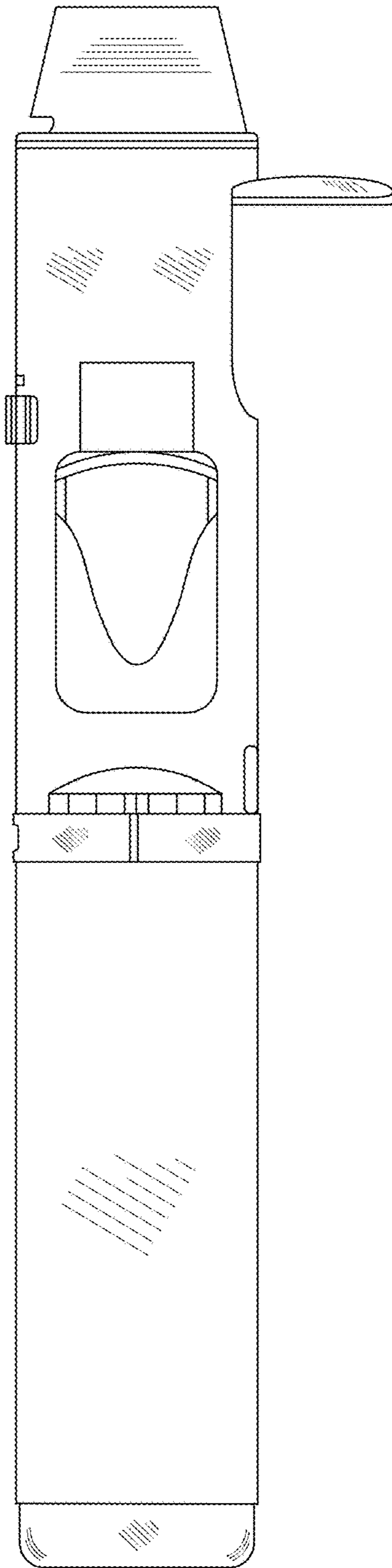


FIG. 5

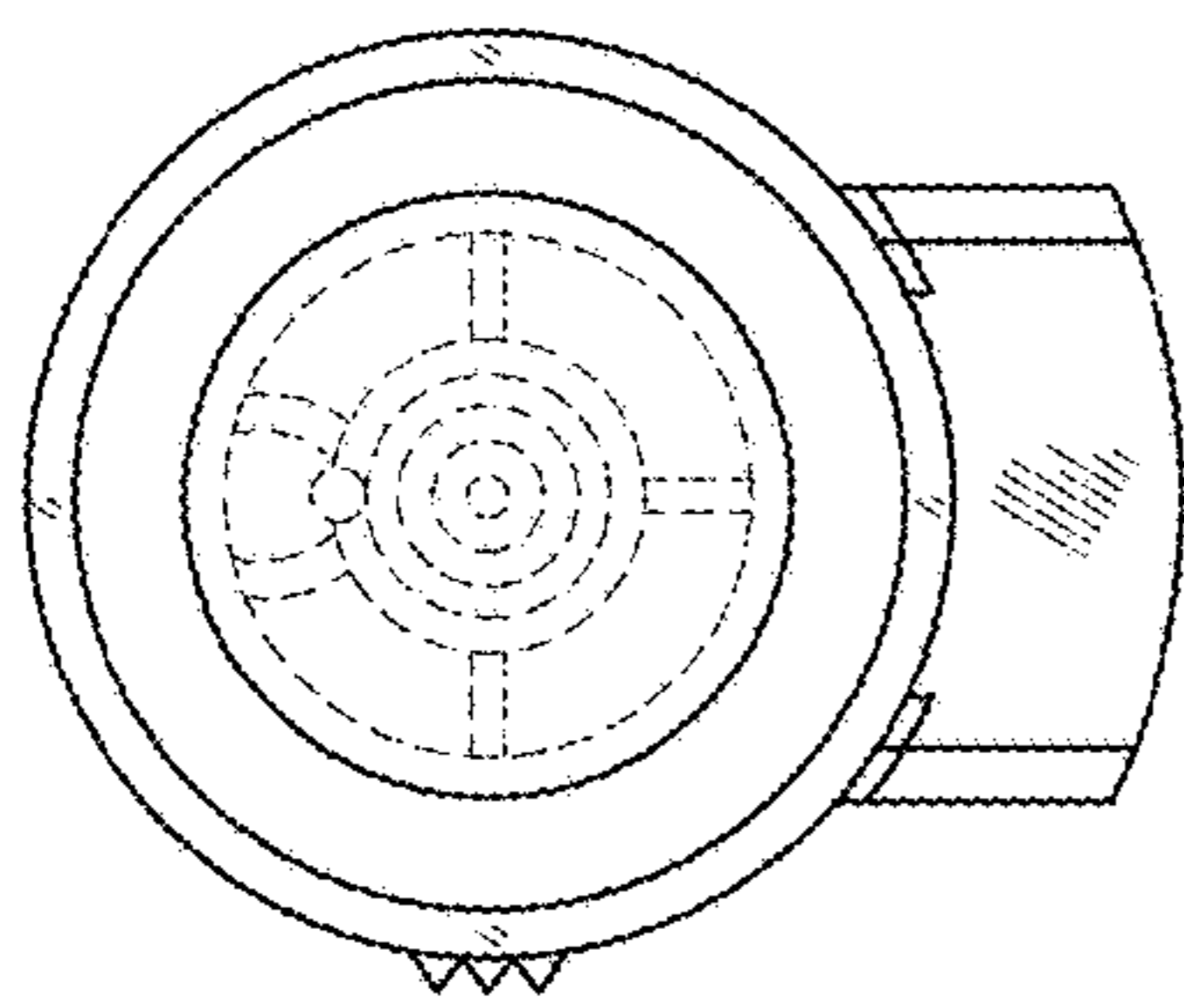


FIG. 6

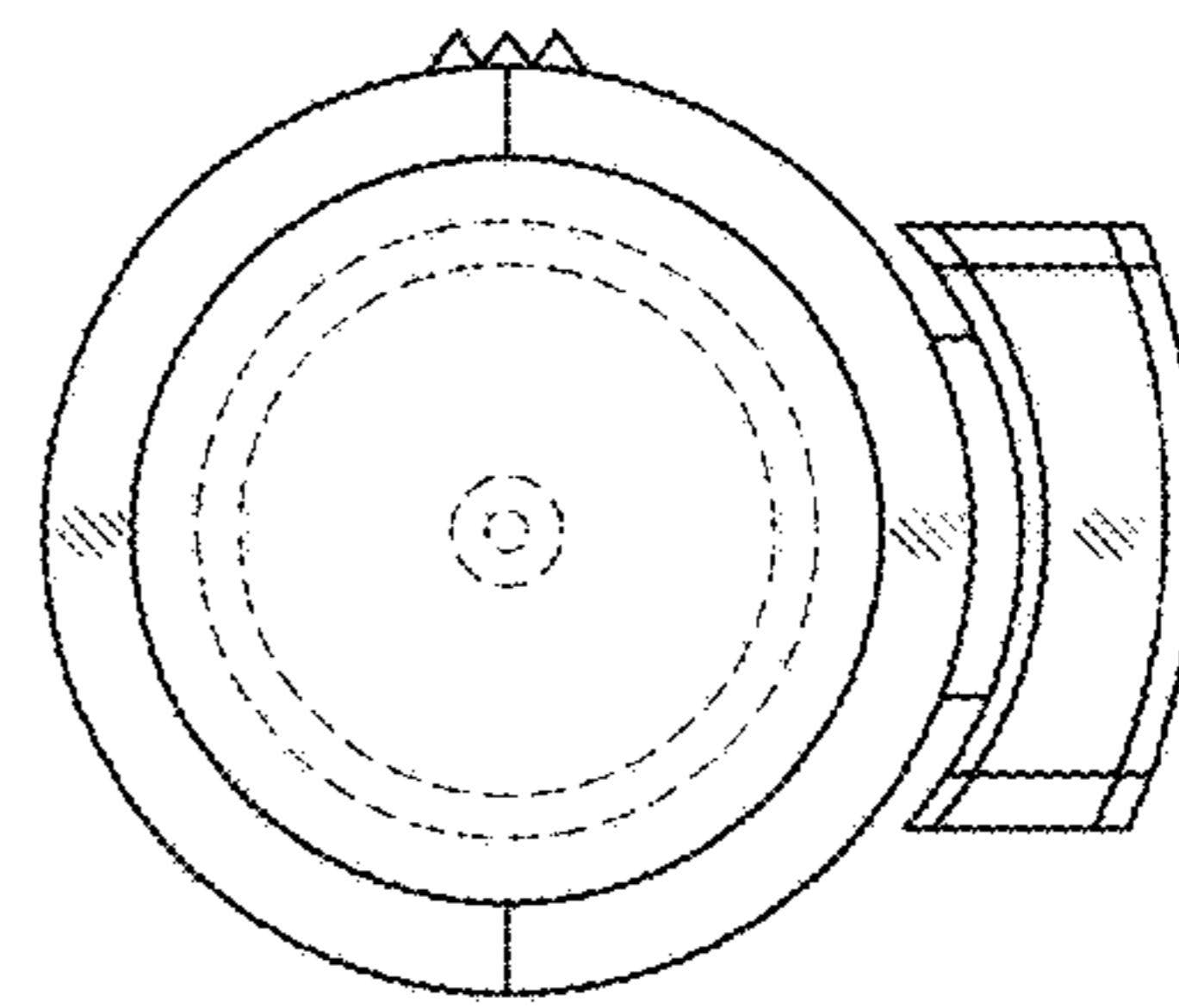


FIG. 7