



US00D849976S

(12) **United States Design Patent** (10) **Patent No.:** **US D849,976 S**
Koch (45) **Date of Patent:** **** May 28, 2019**

(54) **ELECTRICAL TORCH**

(56) **References Cited**

(71) Applicant: **LUPINE LIGHTING SYSTEMS GMBH, Neumarkt (DE)**

U.S. PATENT DOCUMENTS

(72) Inventor: **Wolf-Dieter Koch, Berg (DE)**

D306,492 S *	3/1990	Sharrah	D26/49
D312,509 S *	11/1990	Sharrah	D26/49
D368,318 S *	3/1996	Furth	D26/49
D377,538 S *	1/1997	Blevins	D26/38
D403,446 S *	12/1998	Lynch	D26/37
D426,332 S *	6/2000	Young	D26/49
D481,811 S *	11/2003	Krieger	D26/37
D481,812 S *	11/2003	Krieger	D26/37
D484,996 S *	1/2004	Krieger	D26/37
D486,256 S *	2/2004	Yuen	D26/37
D507,366 S *	7/2005	Opolka	D26/37
D647,231 S *	10/2011	Bertken	D26/38
D658,797 S *	5/2012	Bayat	D26/46
D785,840 S *	5/2017	Brown	D26/49
D785,841 S *	5/2017	Brown	D26/49
D794,238 S *	8/2017	Kung	D26/49
D803,446 S *	11/2017	Green	D26/49
D806,295 S *	12/2017	Kang	D26/49

(73) Assignee: **Lupine Lighting Systems GmbH, Neumarkt (DE)**

(**) Term: **15 Years**

(21) Appl. No.: **35/502,260**

(22) Filed: **Dec. 14, 2016**

(80) **Hague Agreement Data**

Int. Filing Date: **Dec. 14, 2016**
Int. Reg. No.: **DM/094032**
Int. Reg. Date: **Dec. 14, 2016**
Int. Reg. Pub. Date: **Jan. 6, 2017**

* cited by examiner

Primary Examiner — Richard E Chilcot

(74) *Attorney, Agent, or Firm* — Laurence A. Greenberg; Werner H. Stemer; Ralph E. Locher

(30) **Foreign Application Priority Data**

Jun. 23, 2016 (DE) 40 2016 100 810

(51) **LOC (11) Cl.** **26-02**

(52) **U.S. Cl.**
USPC **D26/37; D26/49**
CPC **F21L 21/00 (2013.01)**

(58) **Field of Classification Search**
USPC D26/36-38, 42-50, 262, 123, 128, 137;
362/208, 800, 203, 202
CPC ... F21L 21/00; F21L 2/00; F21L 17/00; F21L
4/00; F21L 26/00; F21Y 2101/00; F21Y
2115/10; F21K 9/00; F21W 2111/10
See application file for complete search history.

(57) **CLAIM**

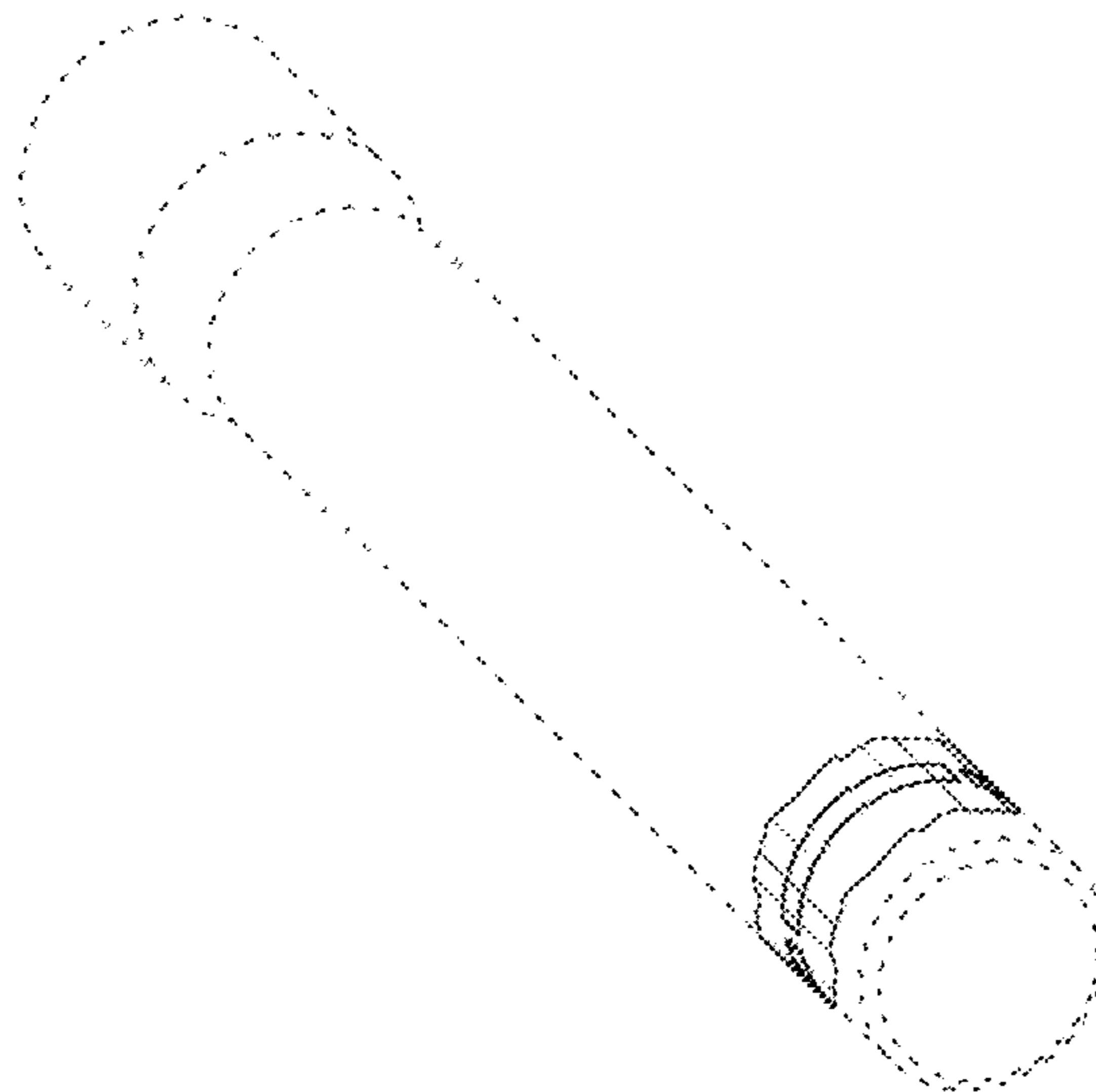
The ornamental design for an electrical torch, as shown and described.

DESCRIPTION

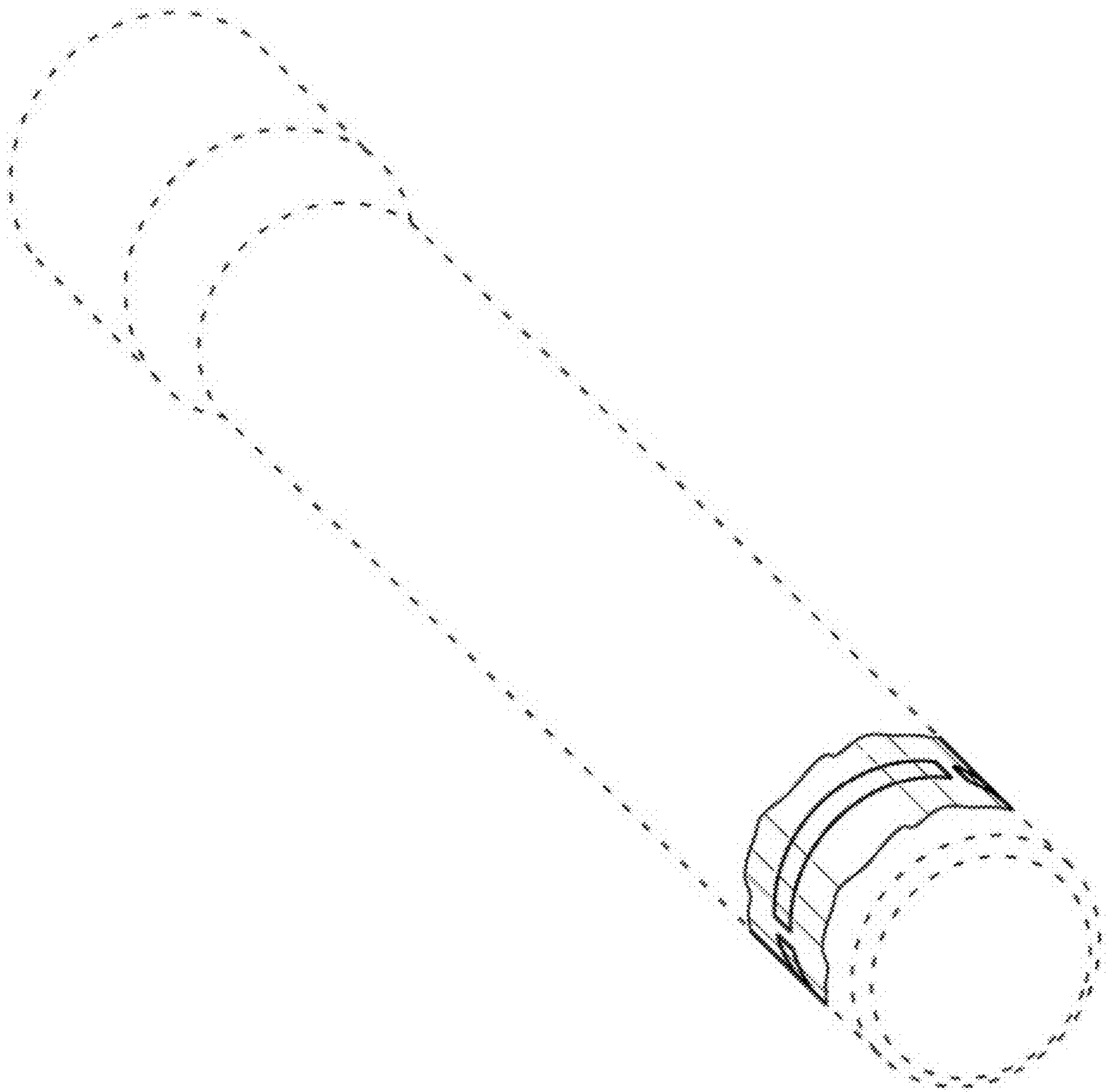
- 1.1 : Perspective
- 1.2 : First side view
- 1.3 : Second side view, rotated
- 1.4 : Third side view, rotated

The broken lines depict environmental structure of the torch on which the charging contact segments are annularly arranged and do not form a part of the claimed design.

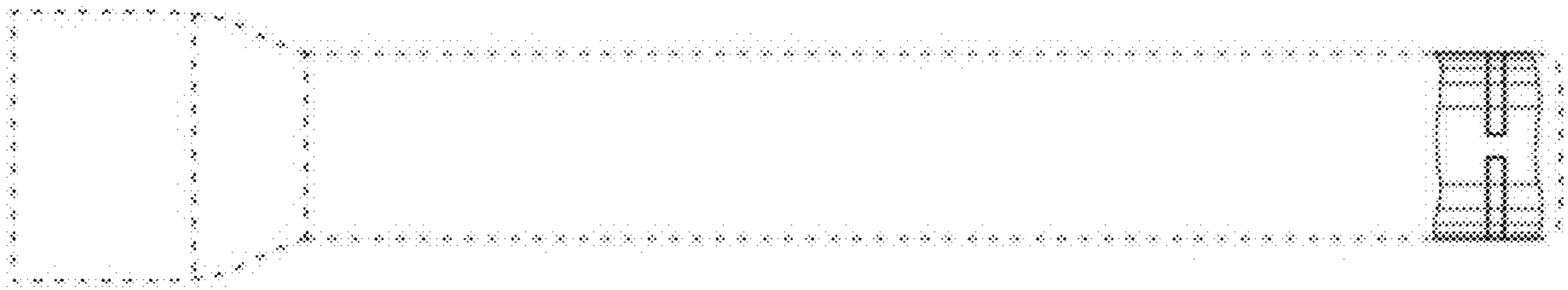
1 Claim, 4 Drawing Sheets



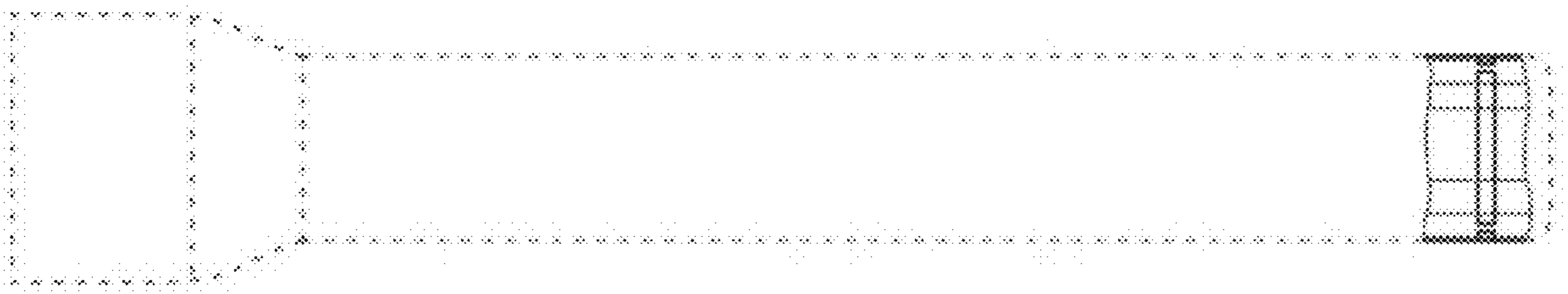
1.1



1.2



1.3



1.4

