



US00D849975S

(12) **United States Design Patent**
Huang

(10) **Patent No.:** **US D849,975 S**

(45) **Date of Patent:** **** May 28, 2019**

- (54) **LED LIGHT CLIP**
- (71) Applicant: **Shansong Huang**, Shenzhen (CN)
- (72) Inventor: **Shansong Huang**, Shenzhen (CN)
- (73) Assignee: **SHENZHEN XINRONGYU ELECTRONICS CO., LTD.**, Shenzhen (CN)
- (**) Term: **15 Years**
- (21) Appl. No.: **29/626,723**
- (22) Filed: **Nov. 20, 2017**
- (51) **LOC (11) Cl.** **26-02**
- (52) **U.S. Cl.**
USPC **D26/37; D26/60**
- (58) **Field of Classification Search**
USPC D26/37-51, 60
CPC F21L 2003/00; F21L 4/00; F21L 4/005;
F21L 4/02; F21L 4/025; F21L 4/027;
F21L 4/04; F21L 4/08; F21L 2005/00;
F21L 7/00; F21L 11/00; F21L 13/00;
F21L 13/04; F21L 13/08; F21L 14/02;
F21L 17/00; F21L 19/00; F21L 25/00
See application file for complete search history.

- D713,076 S * 9/2014 von Waldthausen D26/37
- D750,304 S * 2/2016 Khayat D26/38
- D764,088 S * 8/2016 Salmon D26/29
- D805,666 S * 12/2017 Nguyen D26/37

* cited by examiner

Primary Examiner — Karen E Kearney
Assistant Examiner — Carissa C Fitts
(74) *Attorney, Agent, or Firm* — Law Offices of Steven W. Weinrieb

(57) **CLAIM**

The ornamental design for an LED light clip, as shown and described.

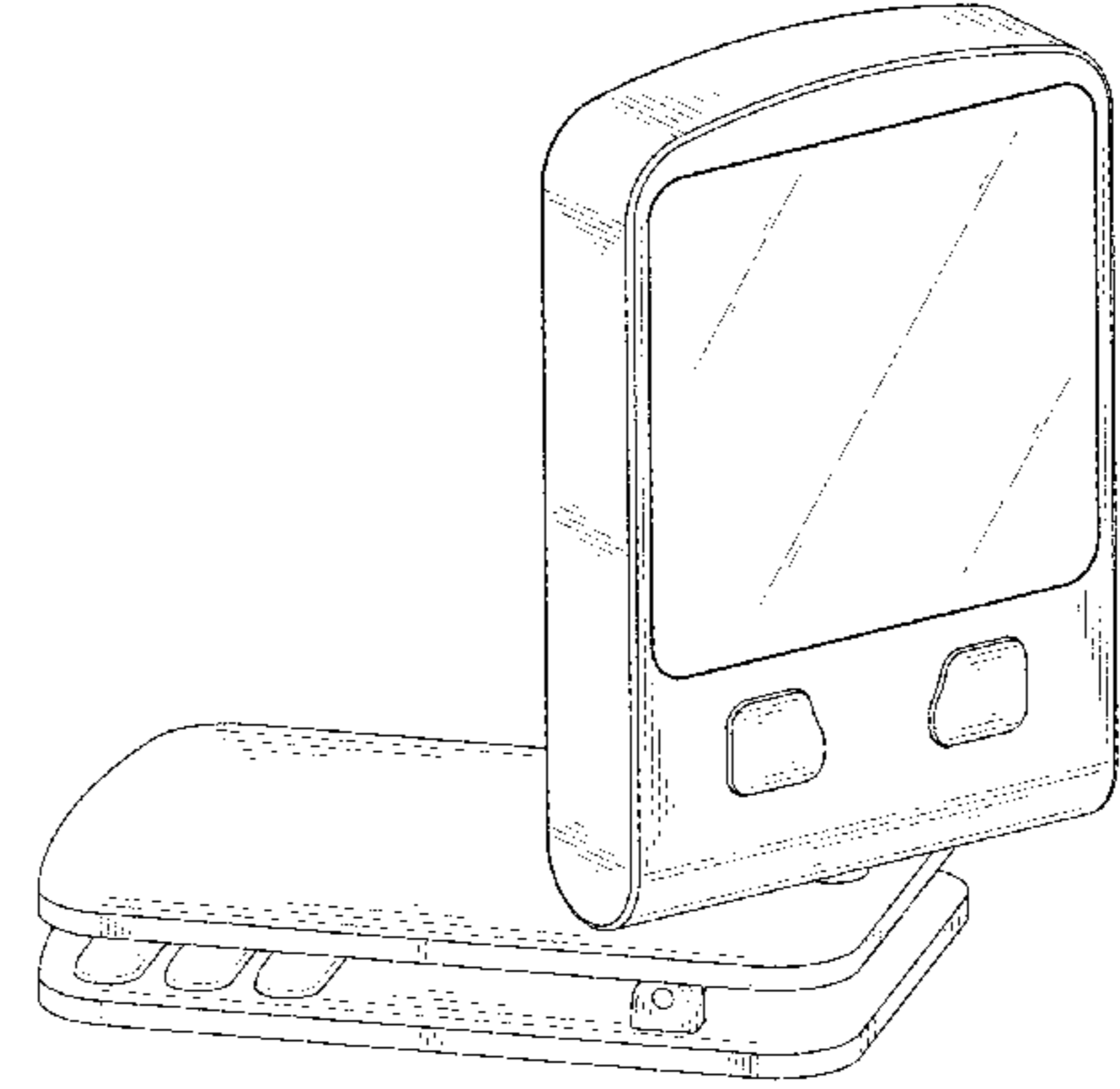
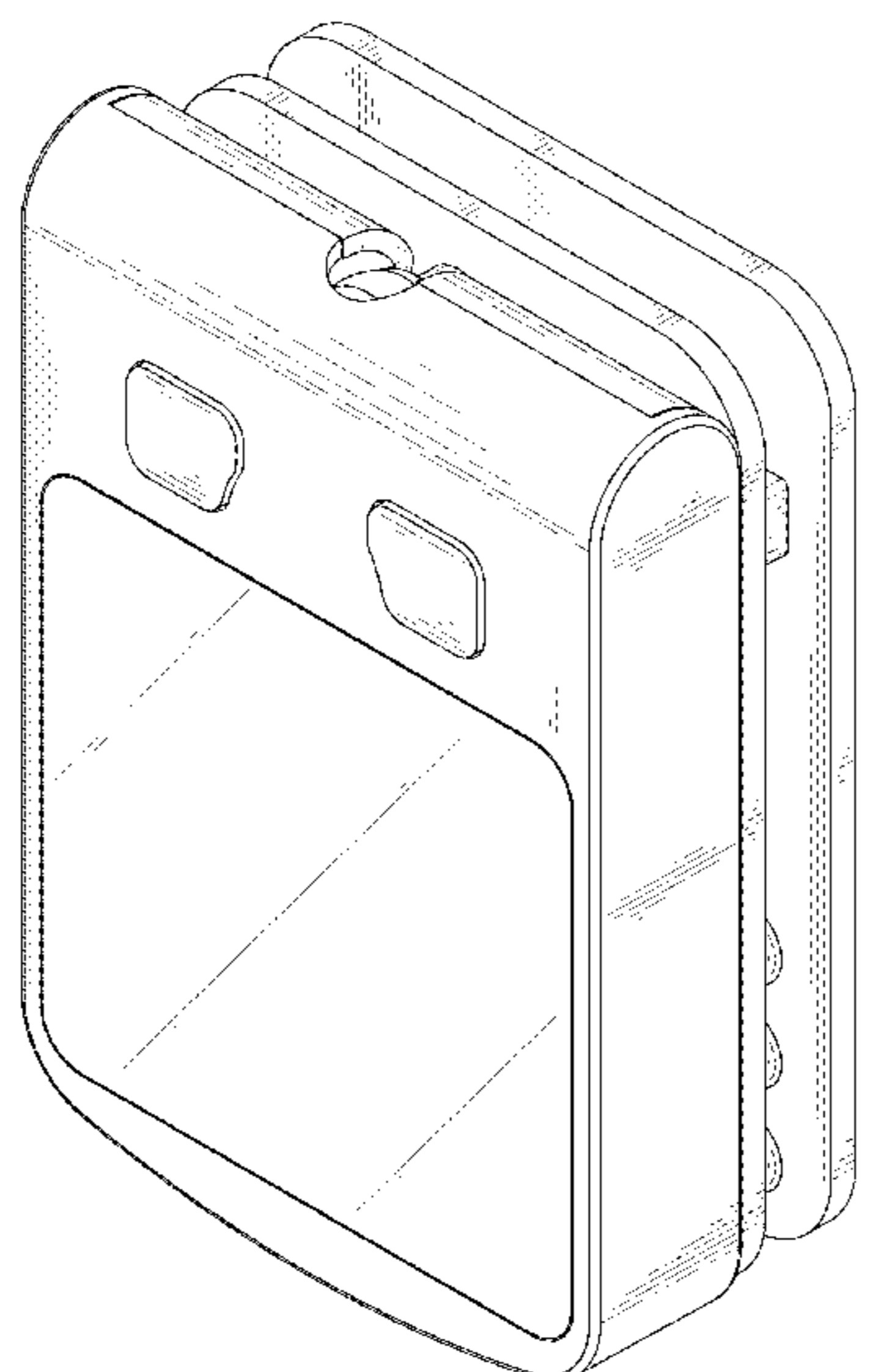
DESCRIPTION

FIG. 1 is a front right side top perspective view of the LED light clip showing my new design;
FIG. 2 is an inverted left side top perspective view thereof;
FIG. 3 is a front elevational view thereof;
FIG. 4 is a rear elevational view thereof.
FIG. 5 is a left side elevational view thereof;
FIG. 6 is a right side elevational view thereof;
FIG. 7 is a top plan view thereof;
FIG. 8 is a bottom plan view thereof;
FIG. 9 is a right side top perspective view thereof showing the clip in a partially open disposition;
FIG. 10 is a right side top perspective view thereof with the LED component rotated 90° with respect to its support base so that in lieu of being disposed parallel to the support base, the LED component is disposed perpendicular to the support base; and,
FIG. 11 is a left side top perspective view thereof with the LED component rotated 90° with respect to its support base so that in lieu of being disposed parallel to the support base, the LED component is disposed perpendicular to the support base.

(56) **References Cited**
U.S. PATENT DOCUMENTS

- D415,585 S * 10/1999 Leung D26/37
- D526,734 S * 8/2006 Brown D26/39
- D544,388 S * 6/2007 Chisholm D10/114.2
- D553,276 S * 10/2007 Campbell D26/37
- D553,771 S * 10/2007 Watson D26/37
- D585,576 S * 1/2009 Chisholm D26/39
- D630,355 S * 1/2011 Gulker D26/37
- D695,434 S * 12/2013 Shen D26/41
- D699,376 S * 2/2014 Kim D26/1
- D702,863 S * 4/2014 Kotsis D26/37
- D703,354 S * 4/2014 Kotsis D26/37
- D703,355 S * 4/2014 Kotsis D26/37

1 Claim, 11 Drawing Sheets



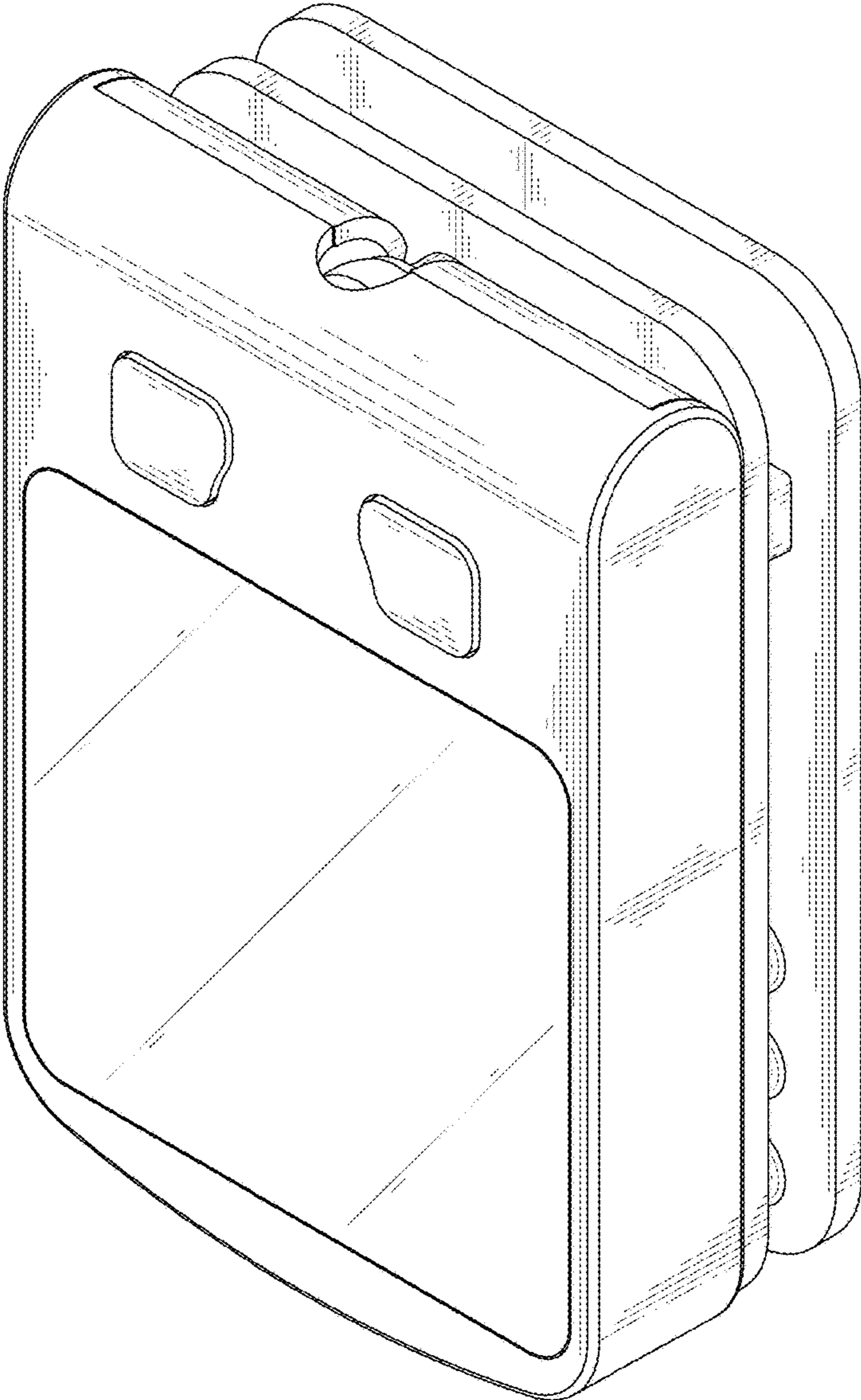


FIG. 1

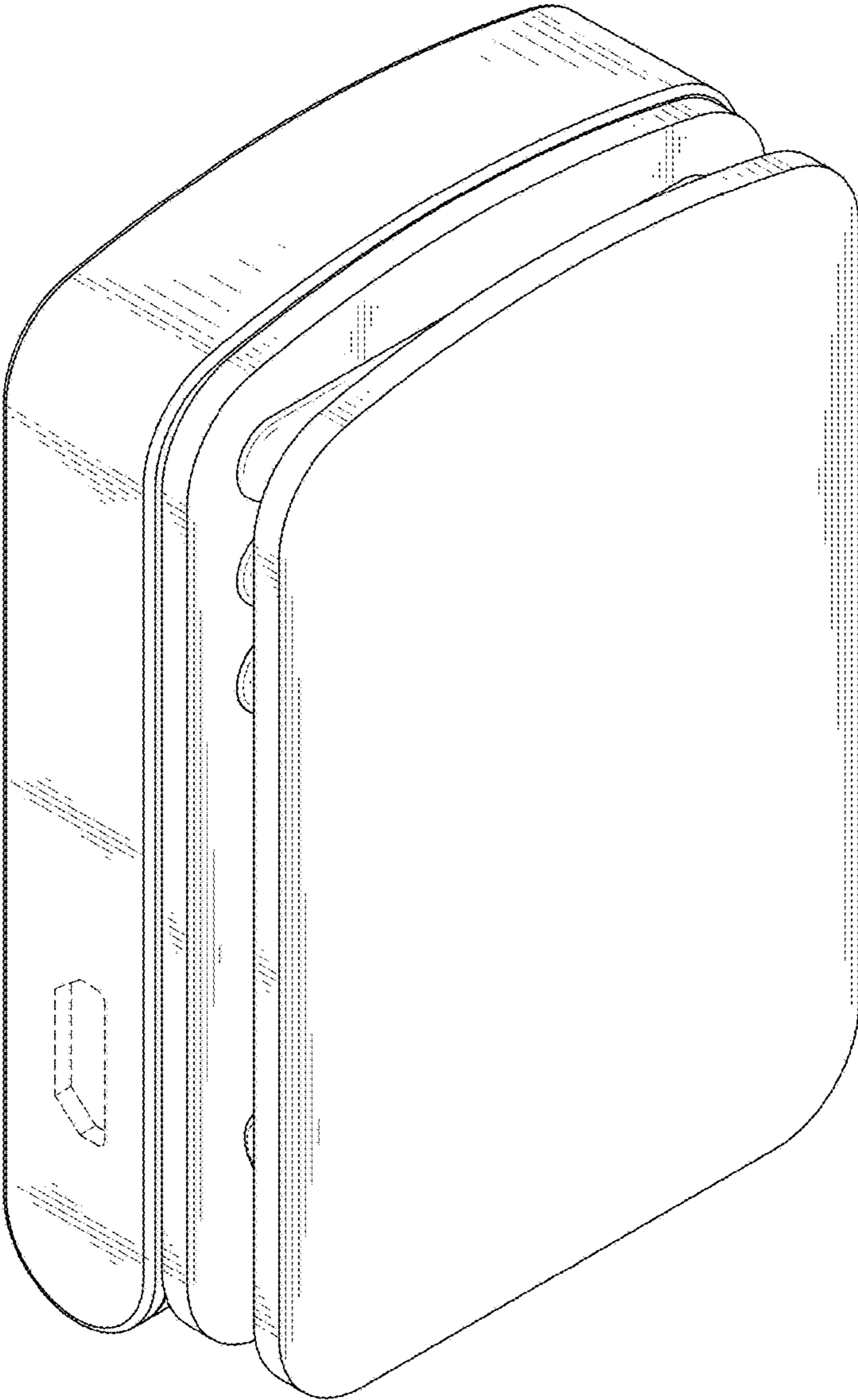


FIG. 2

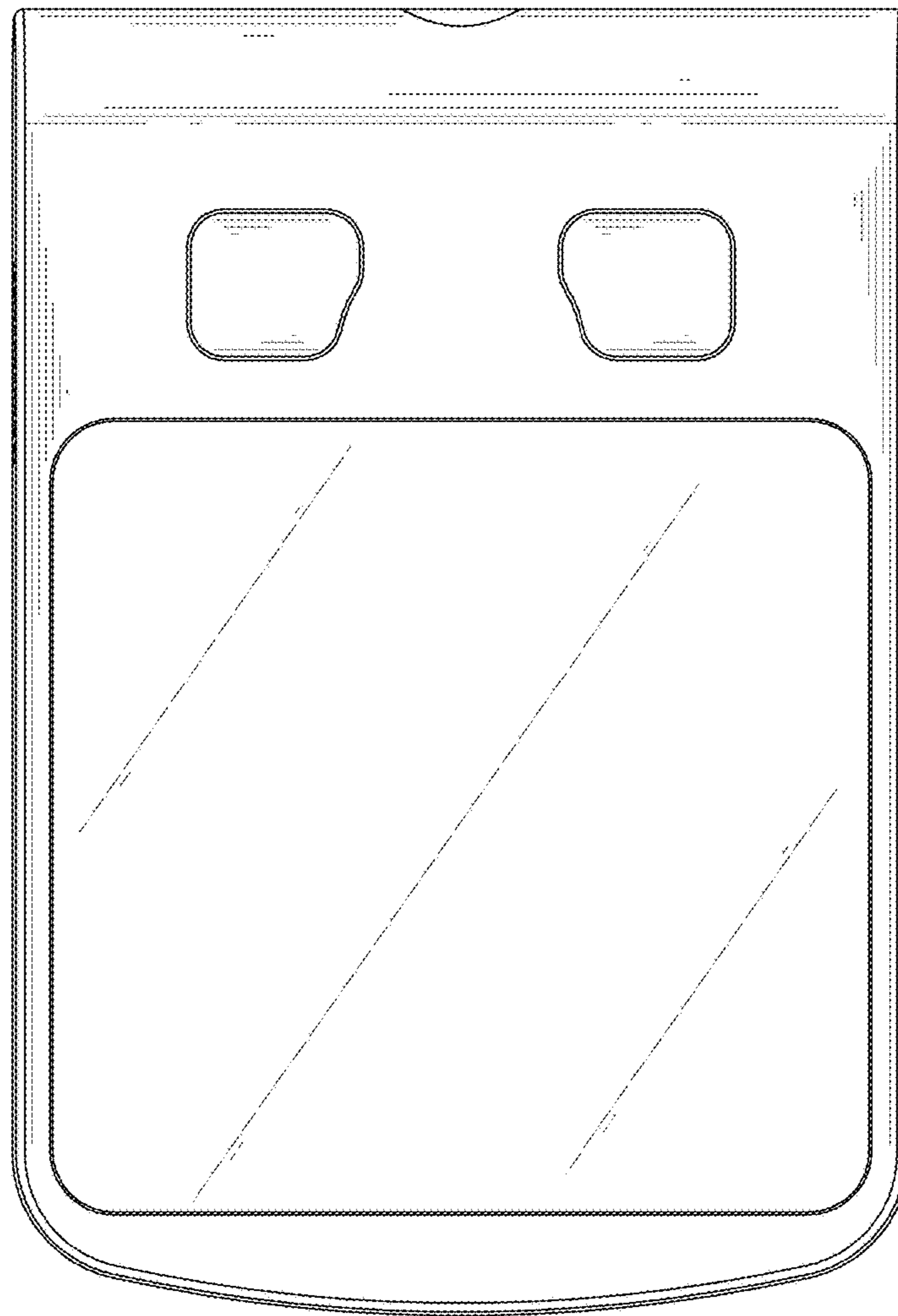


FIG. 3

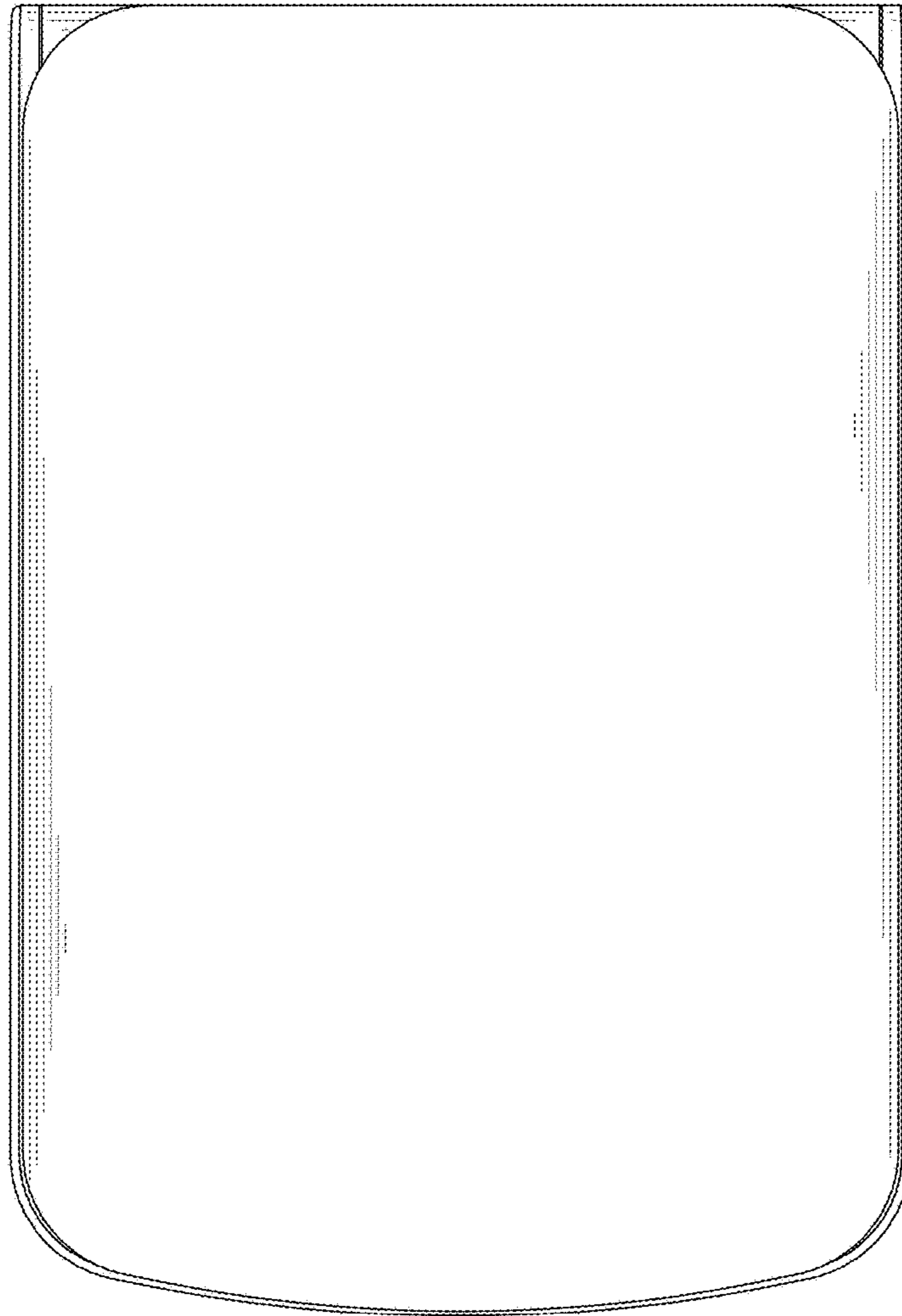


FIG. 4

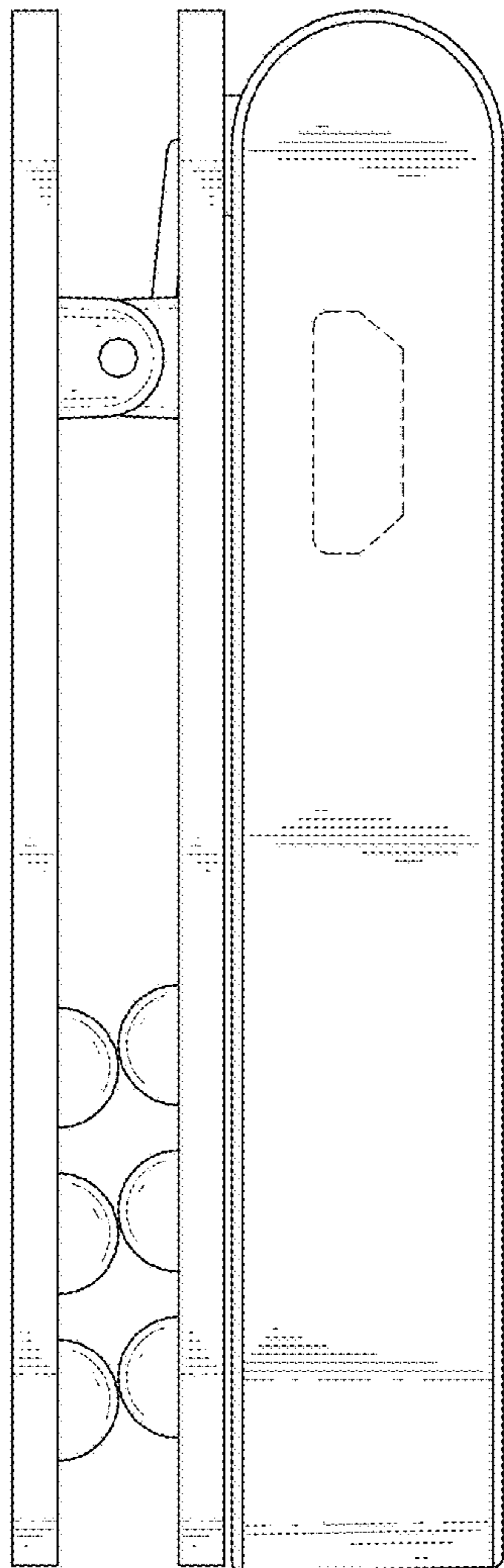


FIG. 5

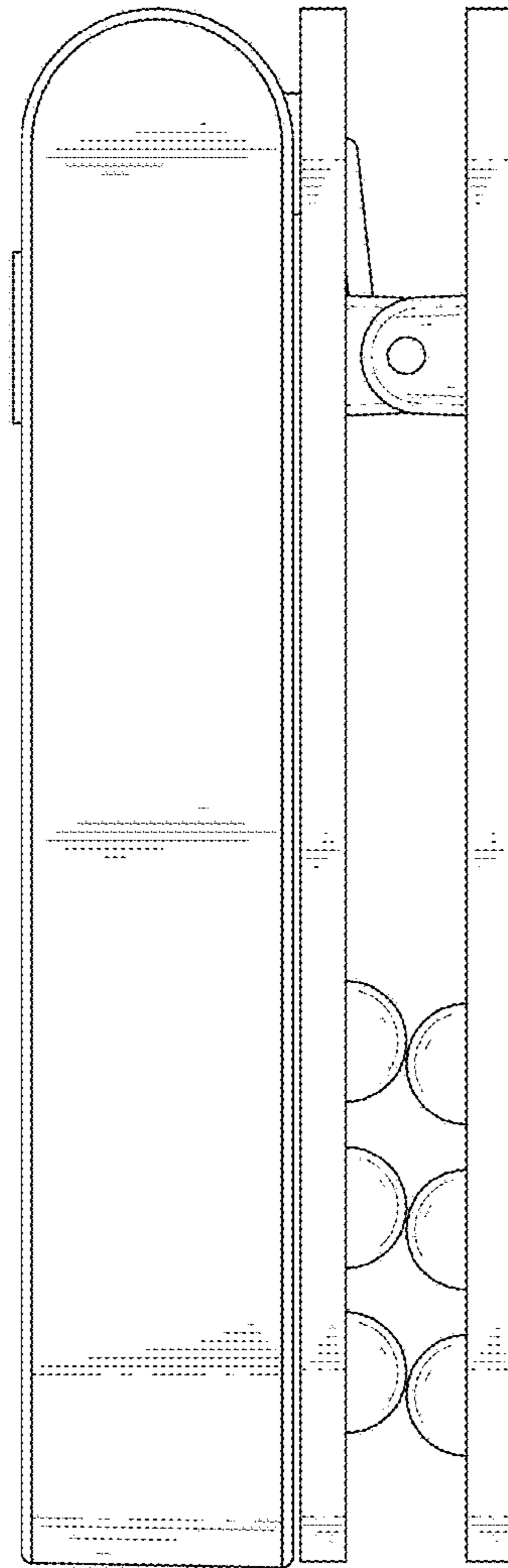


FIG. 6

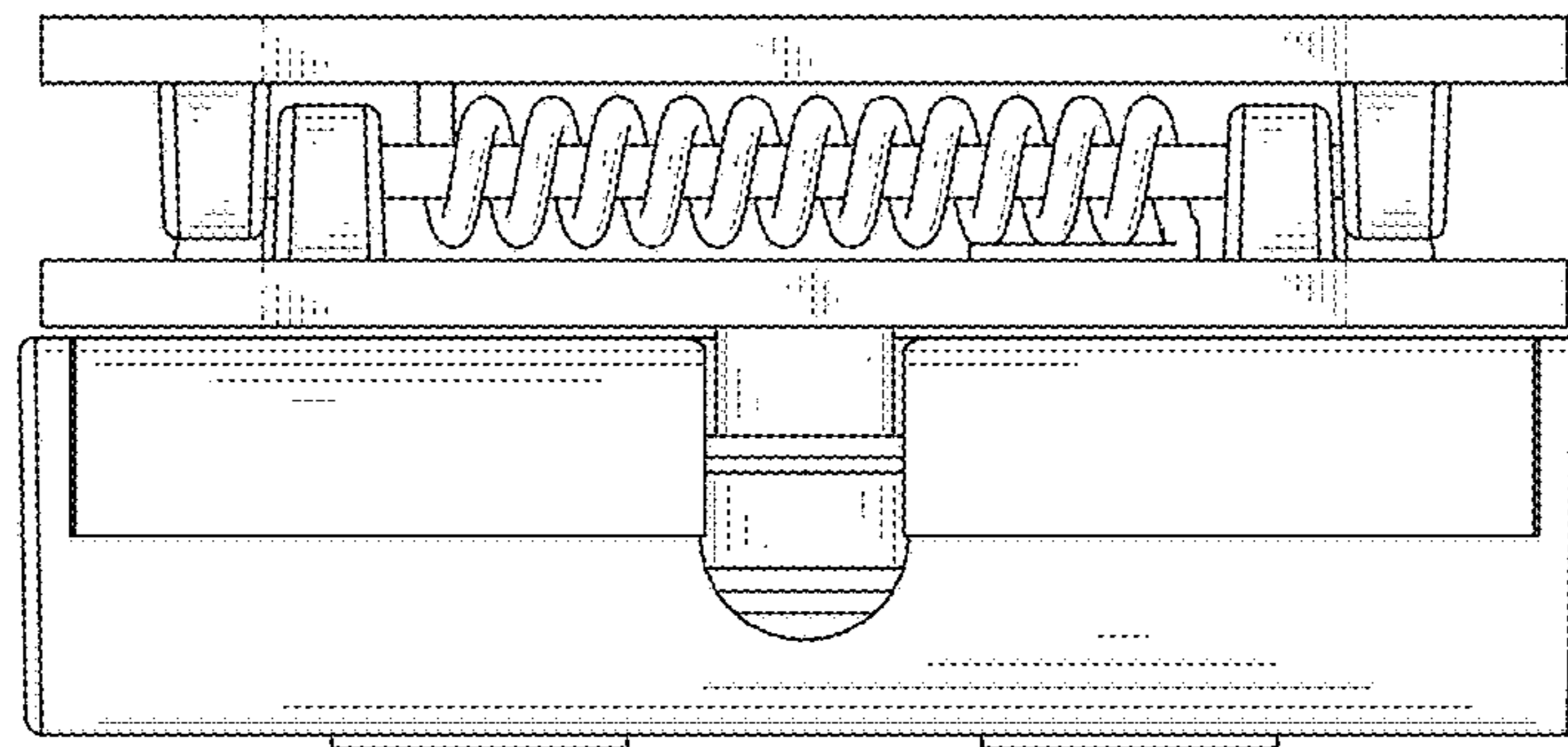


FIG. 7

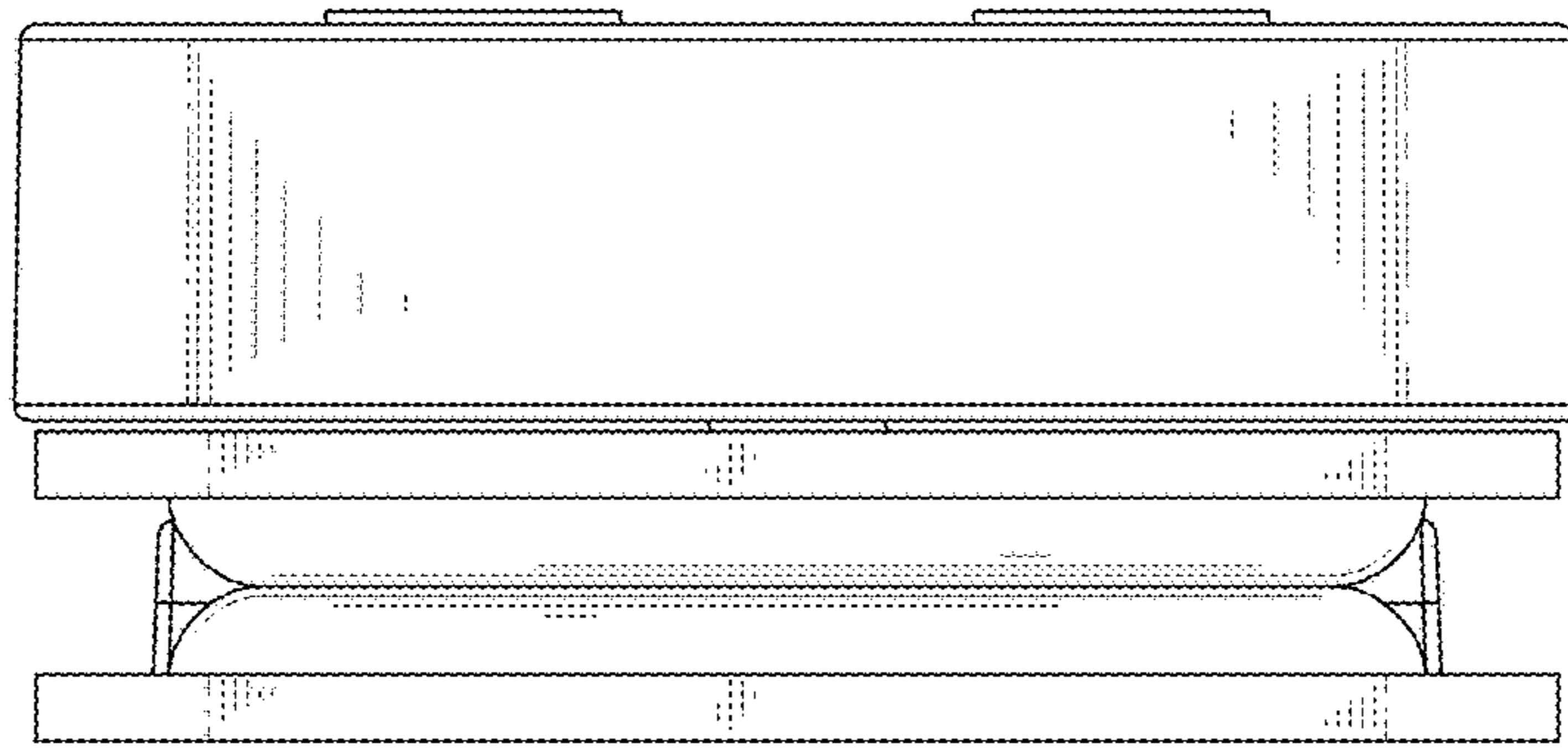


FIG. 8

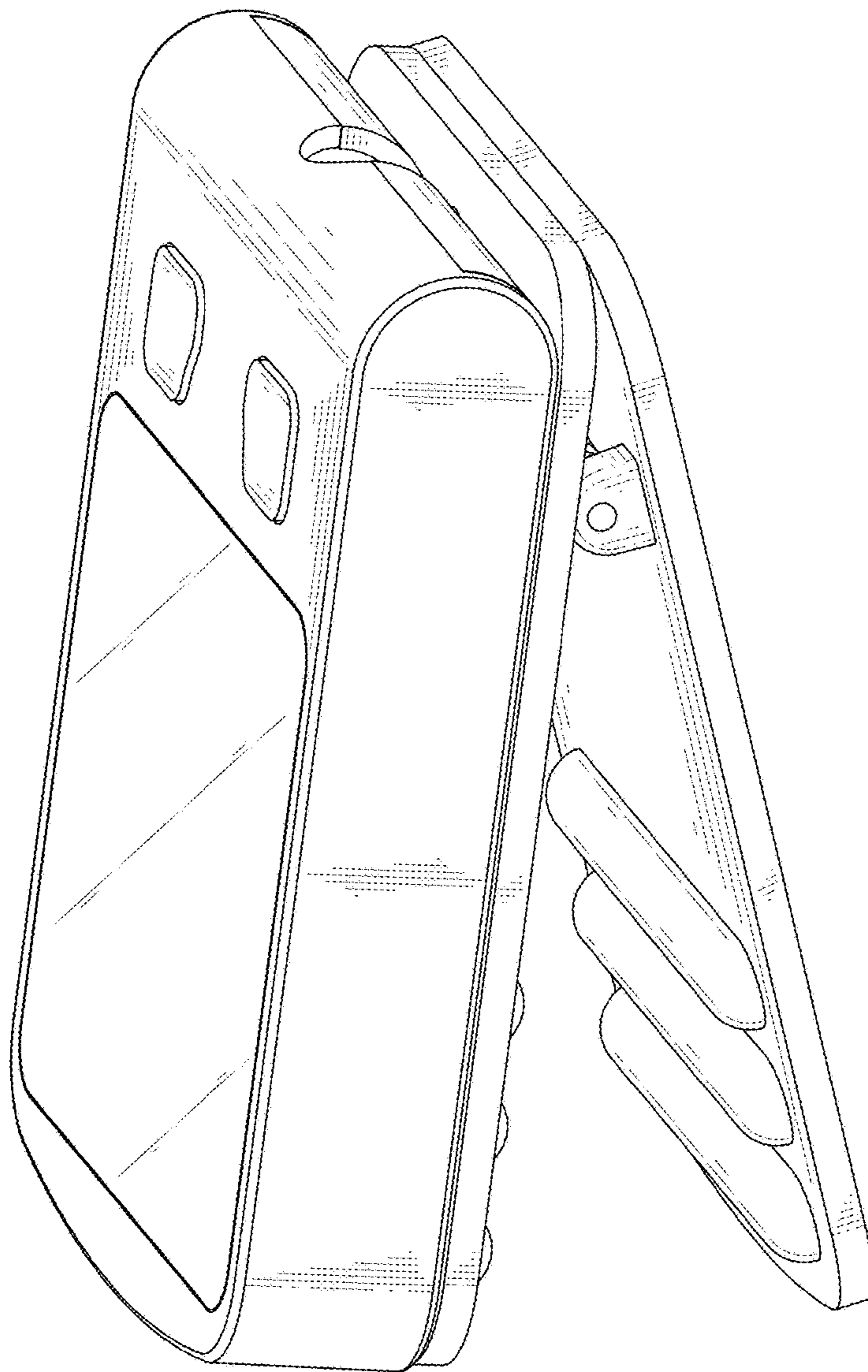


FIG. 9

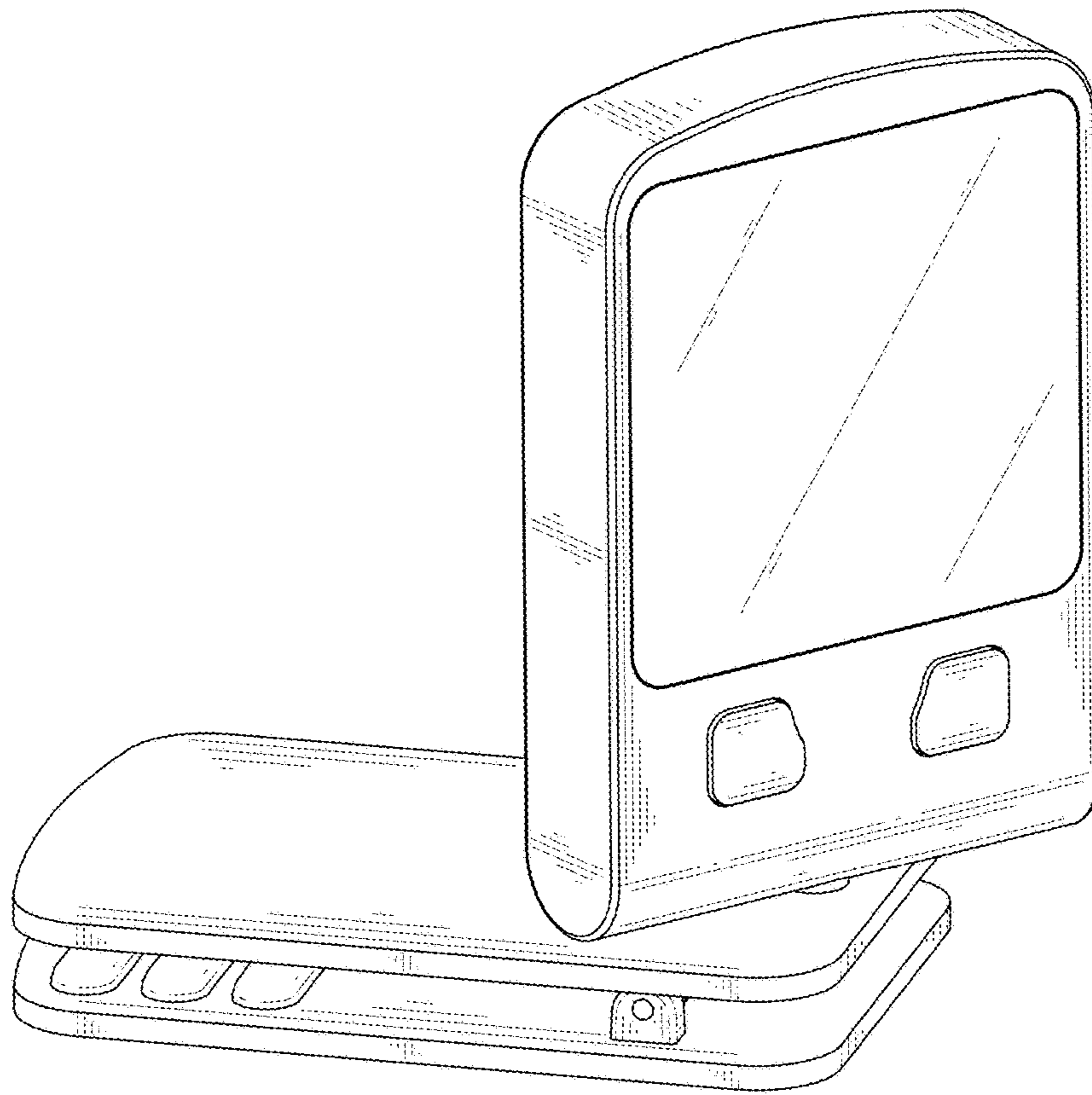


FIG. 10

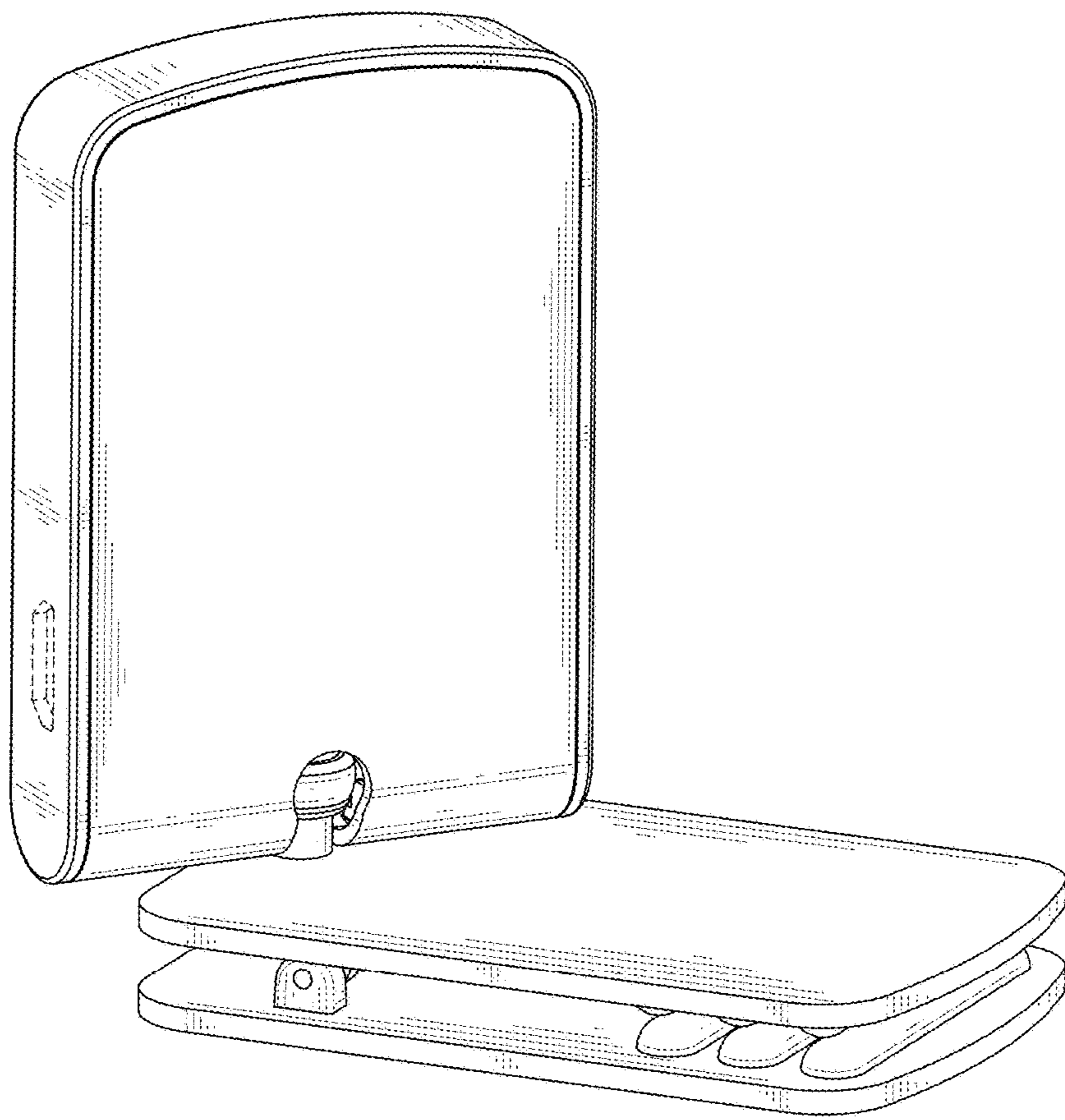


FIG. 11