



US00D849974S

(12) **United States Design Patent**  
**Morgenstern**

(10) **Patent No.:** **US D849,974 S**

(45) **Date of Patent:** **\*\* May 28, 2019**

(54) **HEADLIGHT FOR A VEHICLE**

(71) Applicant: **Bayerische Motoren Werke Aktiengesellschaft, Munich (DE)**

(72) Inventor: **Sebastian Morgenstern, Karlsfeld (DE)**

(73) Assignee: **Bayerische Motoren Werke Aktiengesellschaft, Munich (DE)**

(\*\*) Term: **15 Years**

(21) Appl. No.: **29/632,572**

(22) Filed: **Jan. 9, 2018**

(30) **Foreign Application Priority Data**

Jul. 18, 2017 (DE) ..... 40 2017 100 835

(51) **LOC (11) Cl.** ..... **26-06**

(52) **U.S. Cl.**  
USPC ..... **D26/28**

(58) **Field of Classification Search**  
USPC ..... D26/28-36  
CPC ..... B60Q 1/0483; B60Q 9/13; B60Q 9/135;  
B60Q 9/1375; F21S 48/00; F21S 48/10;  
F21S 48/115; F21S 48/225; F21S  
48/1233; F21S 48/1266; F21S 48/1388;  
F21S 48/2268; F21V 21/04  
See application file for complete search history.

(56) **References Cited**

**U.S. PATENT DOCUMENTS**

D490,172 S \* 5/2004 Yamamoto ..... D26/28  
D564,683 S \* 3/2008 Roach ..... D26/28

D626,670 S \* 11/2010 Metzger ..... D26/28  
D688,400 S \* 8/2013 Haumann ..... D26/28  
D716,477 S \* 10/2014 Chu ..... D26/28  
D718,478 S \* 11/2014 Adams ..... D26/28  
D744,675 S 12/2015 Schneider  
D750,819 S 3/2016 Schneider

\* cited by examiner

*Primary Examiner* — Marcus A Jackson

(74) *Attorney, Agent, or Firm* — Crowell & Moring LLP

(57) **CLAIM**

The ornamental design for a headlight for a vehicle, as shown and described.

**DESCRIPTION**

This application contains subject matter related to the following co-pending U.S. design patent application:

Application Ser. No. 29/632,571, filed herewith and entitled "Headlight for a Vehicle".

FIG. 1 is a front view of a headlight for a vehicle according to the design;

FIG. 2 is a right perspective view thereof;

FIG. 3 is a left perspective view thereof;

FIG. 4 is a right side view thereof;

FIG. 5 is a left side view thereof;

FIG. 6 is a top view thereof;

FIG. 7 is a bottom view thereof; and,

FIG. 8 is a rear view thereof.

**1 Claim, 8 Drawing Sheets**

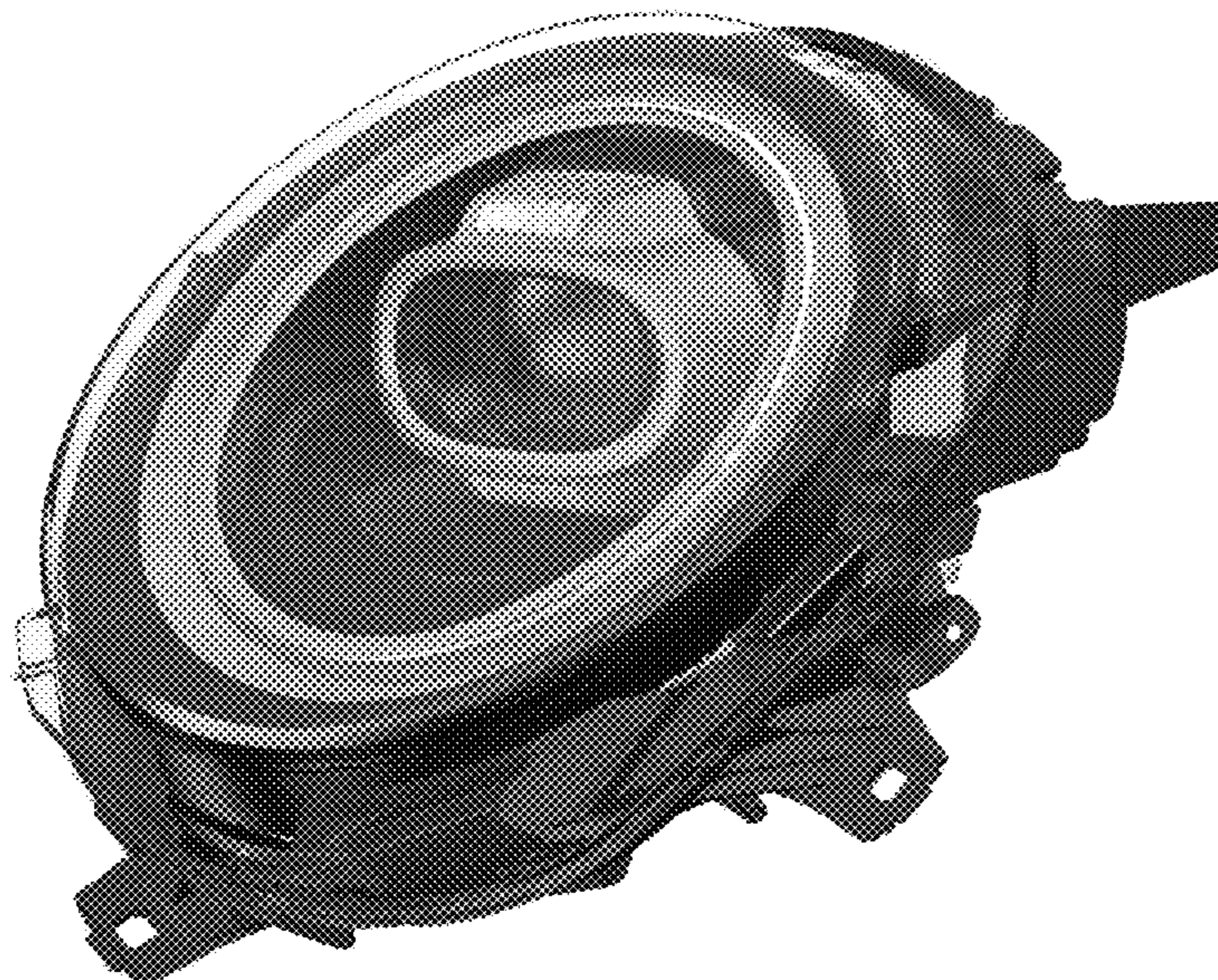




Fig. 1



Fig. 2



Fig. 3

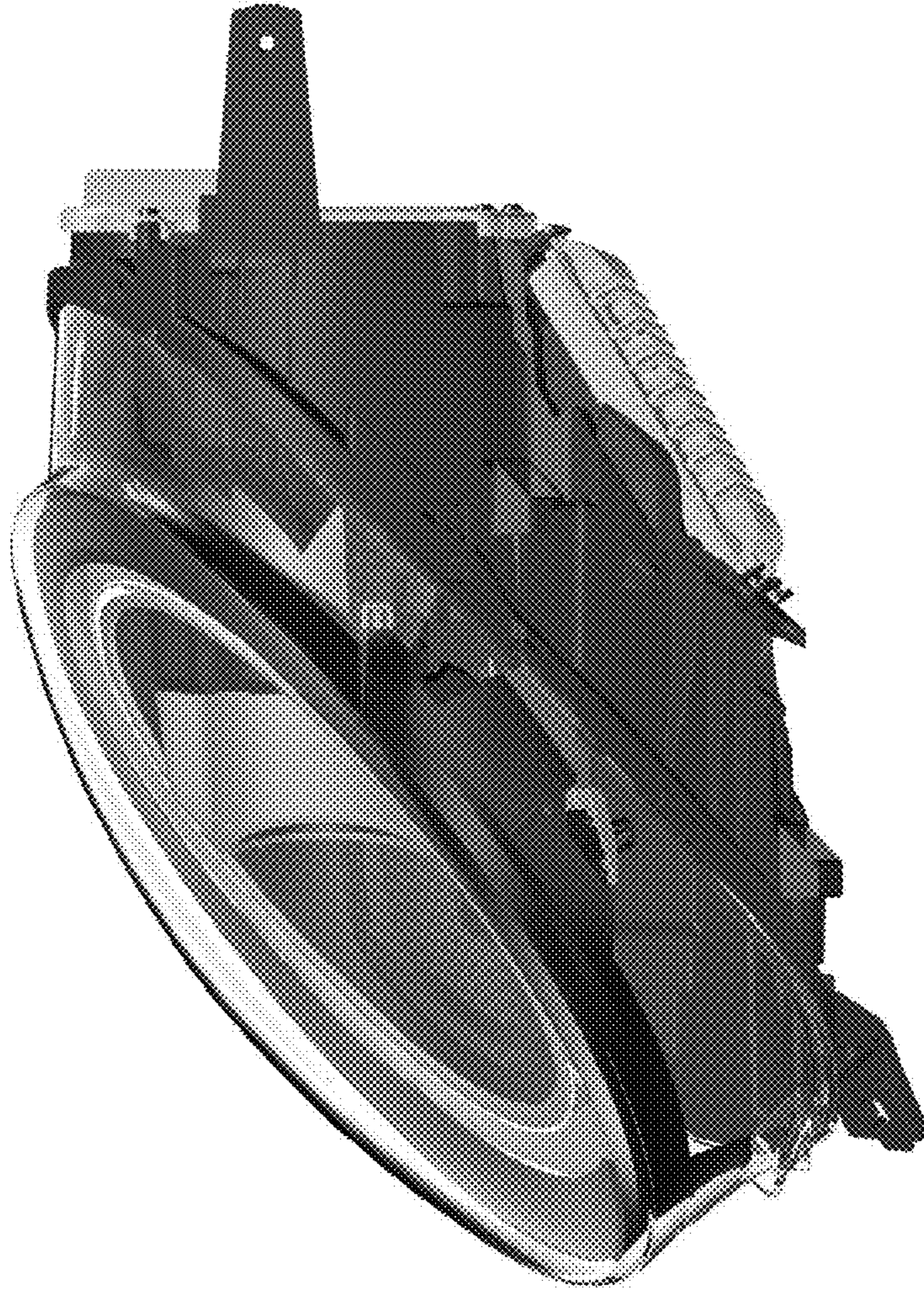


Fig. 4

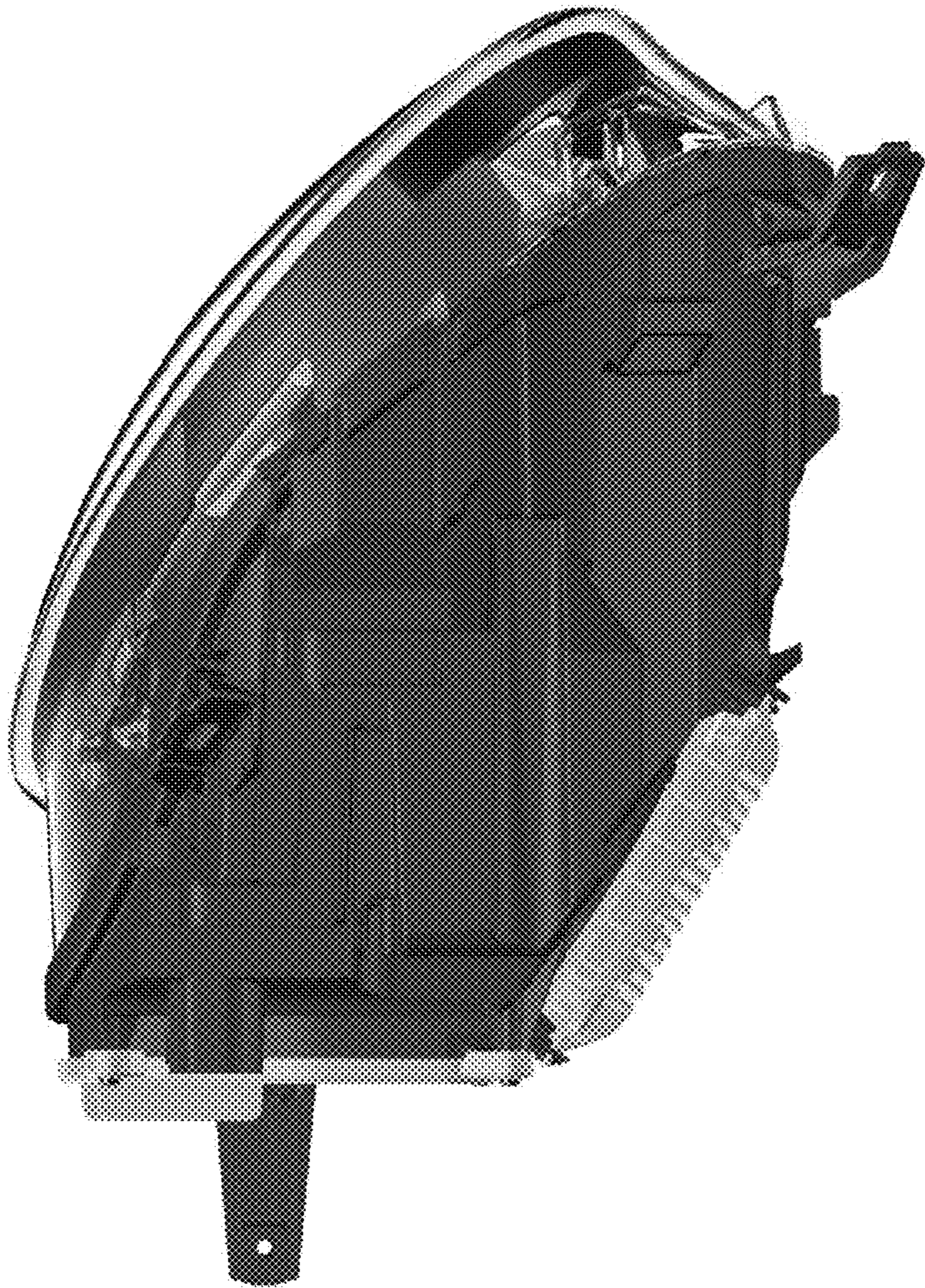


Fig. 5



Fig. 6

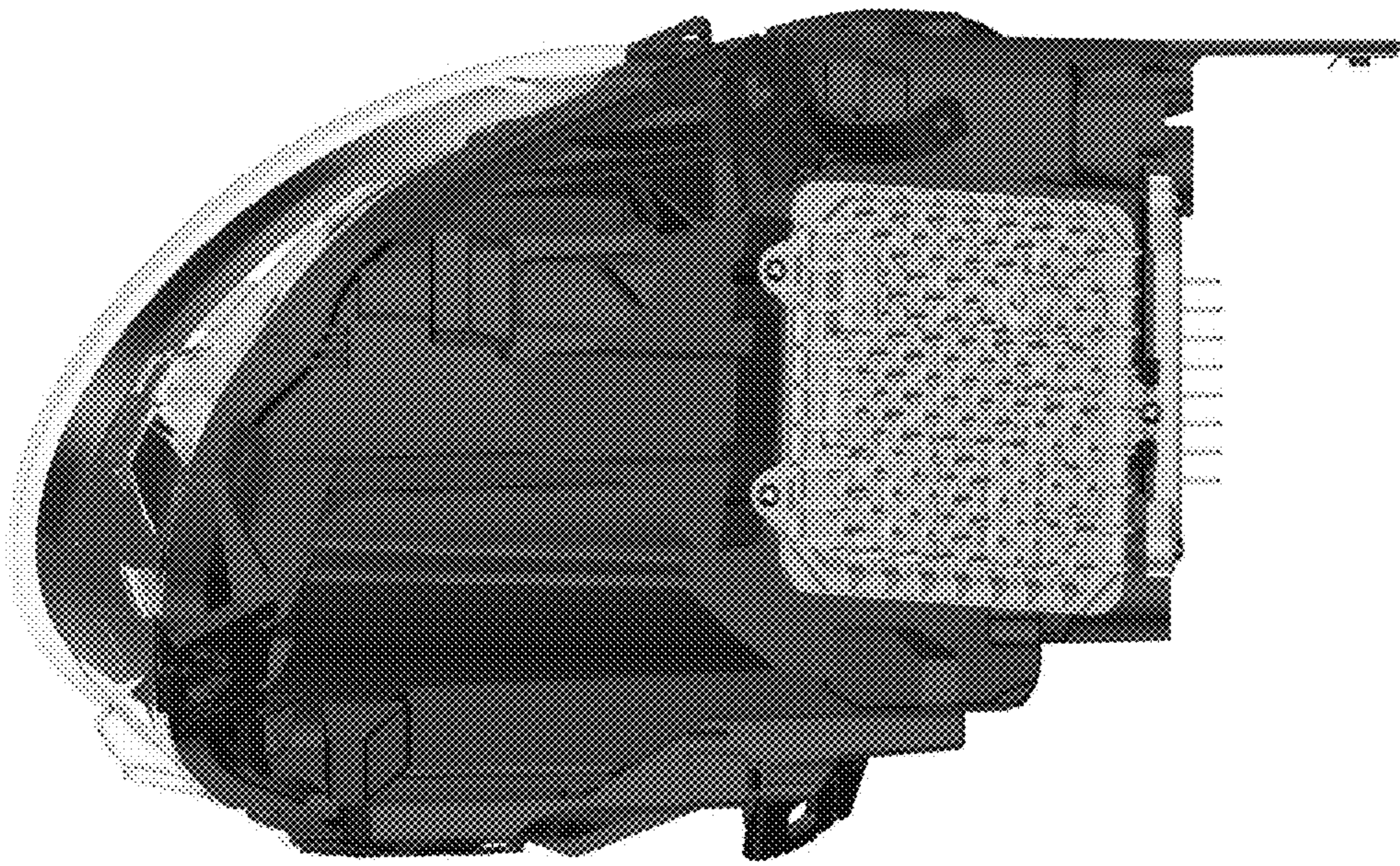


Fig. 7



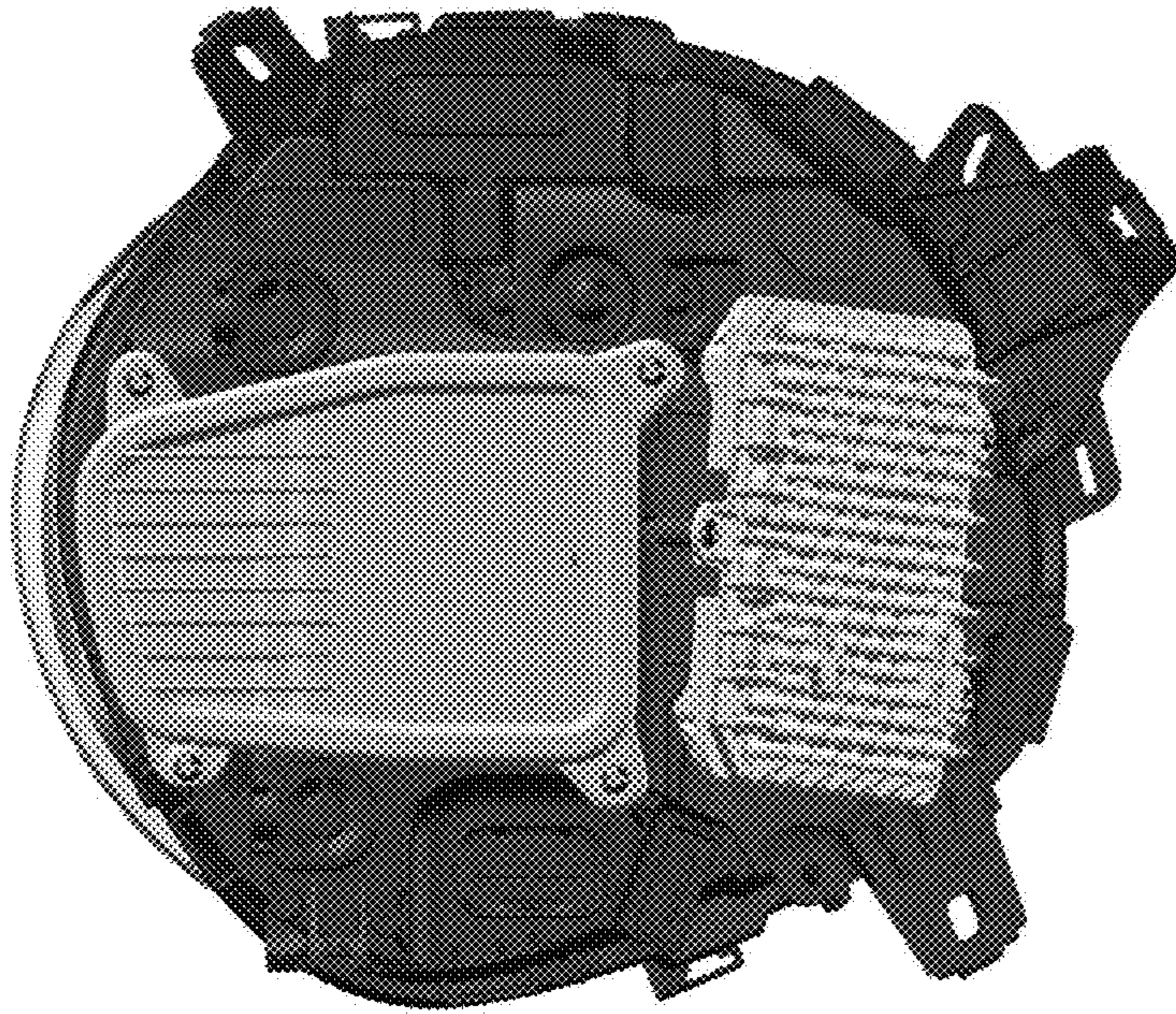


Fig. 8