



US00D849967S

(12) **United States Design Patent** (10) **Patent No.:** **US D849,967 S**
Santjer (45) **Date of Patent:** **** May 28, 2019**

- (54) **CONCRETE FORM CLIP** 2,973,567 A 3/1961 Brow, Jr.
3,568,383 A * 3/1971 Judkins et al. E04B 2/7854
52/210
- (71) Applicant: **Allways Concrete, LLC**, Woodinville, WA (US) 3,722,849 A 3/1973 Luyben
3,778,020 A 12/1973 Burrows
- (72) Inventor: **Bobby D. Santjer**, Woodinville, WA (US) 4,016,701 A 4/1977 Beynon
5,234,654 A 8/1993 Brooks
5,836,132 A 11/1998 Weathersby
D442,063 S 5/2001 Snyder
- (73) Assignee: **Allways Concrete, LLC**, Woodinville, WA (US) 6,224,031 B1 5/2001 Boeshart
D445,668 S 7/2001 Hills, Sr.
D487,693 S 3/2004 Moen
7,124,550 B1 * 10/2006 Deming E04B 1/4157
52/745.21
- (**) Term: **15 Years** 7,475,862 B1 1/2009 Anspach
(Continued)
- (21) Appl. No.: **29/646,465**
- (22) Filed: **May 4, 2018**

Related U.S. Application Data

- (60) Division of application No. 29/599,326, filed on Mar. 31, 2017, now Pat. No. Des. 819,232, which is a continuation of application No. 14/508,952, filed on Oct. 7, 2014, now abandoned.
- (51) **LOC (11) Cl.** **25-01**
- (52) **U.S. Cl.**
USPC **D25/133**
- (58) **Field of Classification Search**
USPC D25/126, 127, 128, 129, 130, 131, 132, D25/133, 134, 135; D8/330, 349, 354, D8/355, 356, 363, 367, 382, 383; 52/745.21, 322, 295, 699, 745.09, 745.19, 52/703, 127.2
CPC E04G 13/00; E04G 17/12; E04G 17/06; E04G 17/064; E04G 17/14; E04G 2017/0646; E04G 17/00; E04C 2003/026
See application file for complete search history.

(56) **References Cited**

U.S. PATENT DOCUMENTS

- 2,074,394 A 3/1937 Hoffer
- 2,205,662 A 6/1940 La Grotta
- 2,378,850 A 6/1945 Hyre

OTHER PUBLICATIONS

Advance Concrete Form <https://web.archive.org/web/20150524111040/http://www.advanceconcreteform.com/product_detail.php?id=605&cid=38> May 24, 2015 (Year: 2015).*

Primary Examiner — Cathron C Brooks
Assistant Examiner — Samantha Q Lawrence
(74) *Attorney, Agent, or Firm* — Christensen O'Connor Johnson Kindness PLLC

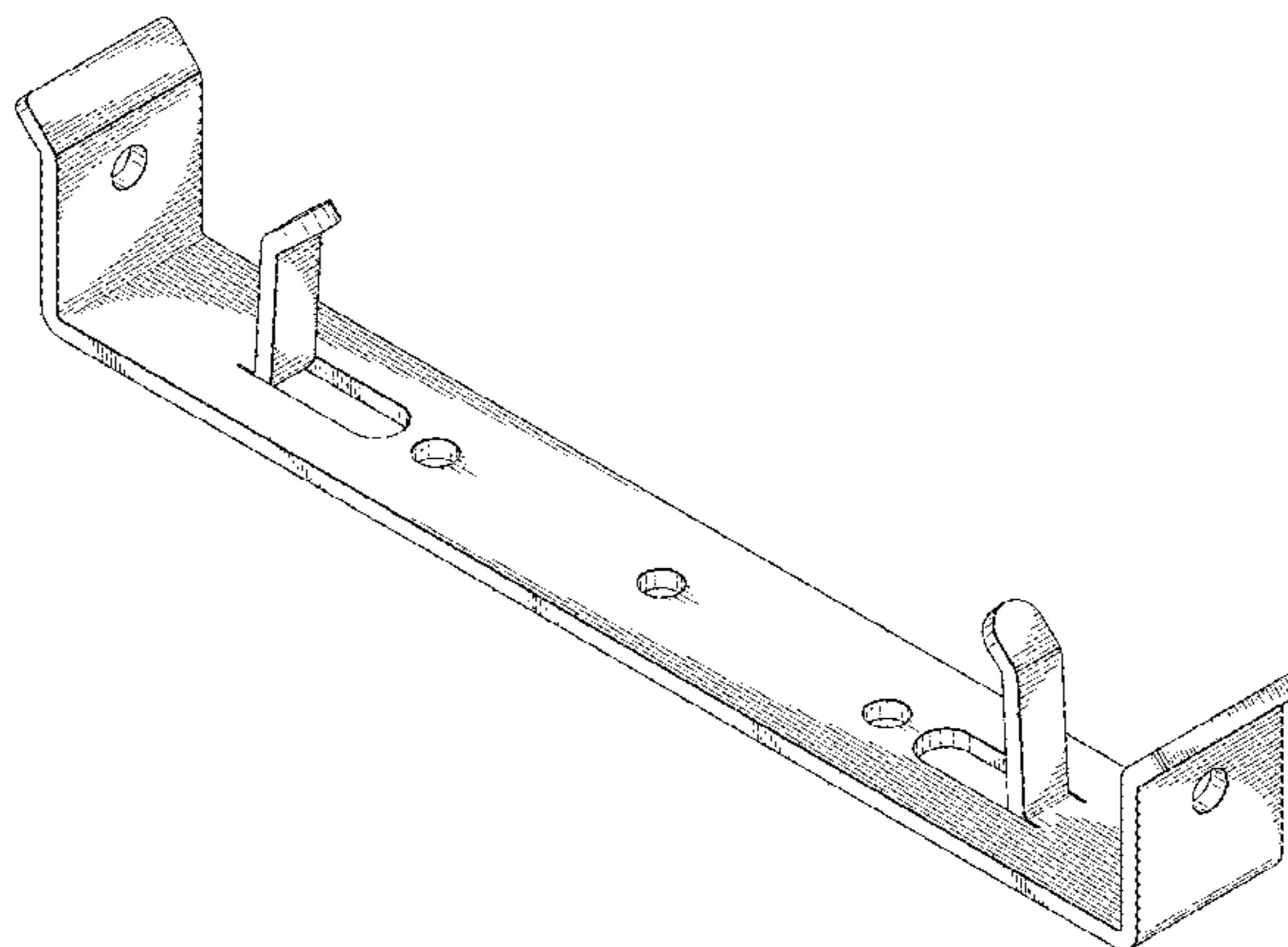
(57) **CLAIM**

The ornamental design for a concrete form clip, as shown and described.

DESCRIPTION

FIG. 1 is a top front left perspective view of a concrete form clip in accordance with my new design;
FIG. 2 is a bottom front left perspective view thereof;
FIG. 3 is a top plan view thereof;
FIG. 4 is a bottom plan view thereof;
FIG. 5 is a front elevation view thereof;
FIG. 6 is a rear elevation view thereof; and,
FIG. 7 is a left elevation view thereof.

1 Claim, 4 Drawing Sheets



(56)

References Cited

U.S. PATENT DOCUMENTS

D615,217 S	5/2010	Steinkraus	
D639,587 S	6/2011	Selinger et al.	
D659,072 S *	5/2012	Matijevich	D12/223
8,231,100 B2 *	7/2012	Boese	E04B 1/16 249/216
8,261,503 B2	9/2012	Meyer	
8,348,226 B2	1/2013	Hanson	
D795,677 S	8/2017	Kelley	
D819,232 S *	5/2018	Santjer	D25/133
2010/0064615 A1 *	3/2010	Boese	E04G 13/00 52/426
2015/0082737 A1 *	3/2015	Brady	E04G 23/0222 52/698
2015/0102204 A1 *	4/2015	Santjer	E04G 17/064 249/219.1

* cited by examiner

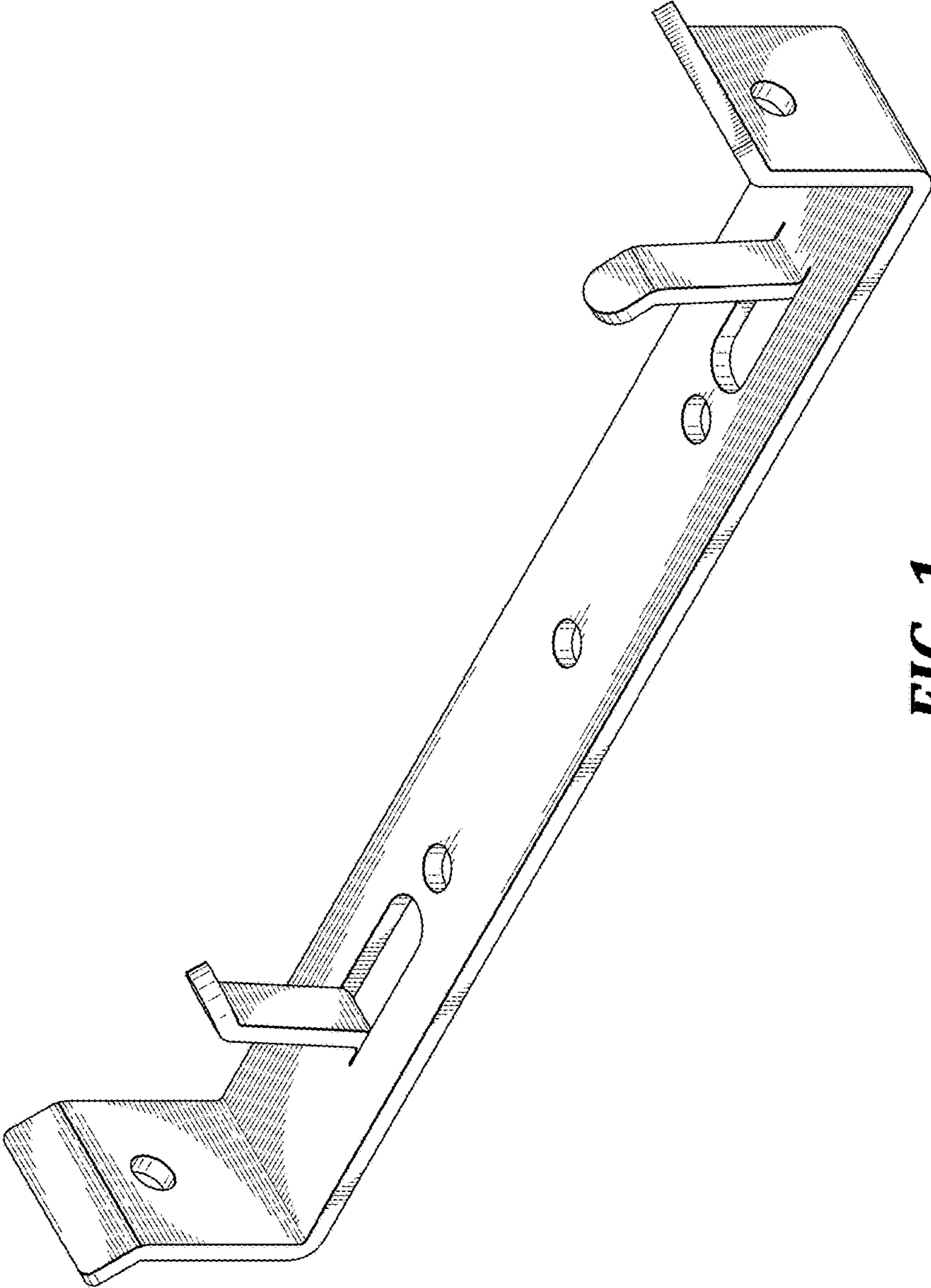


FIG. 1

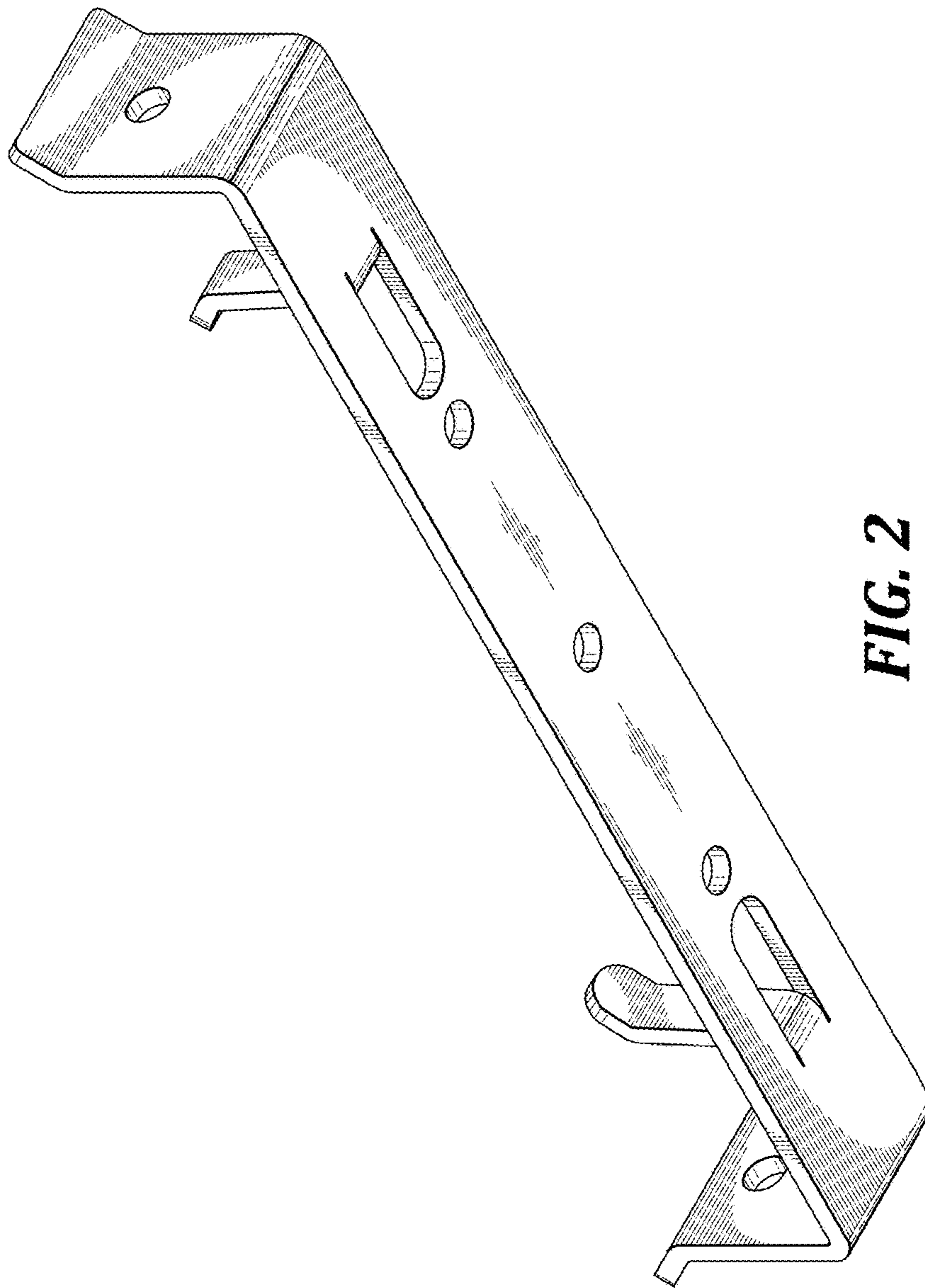


FIG. 2

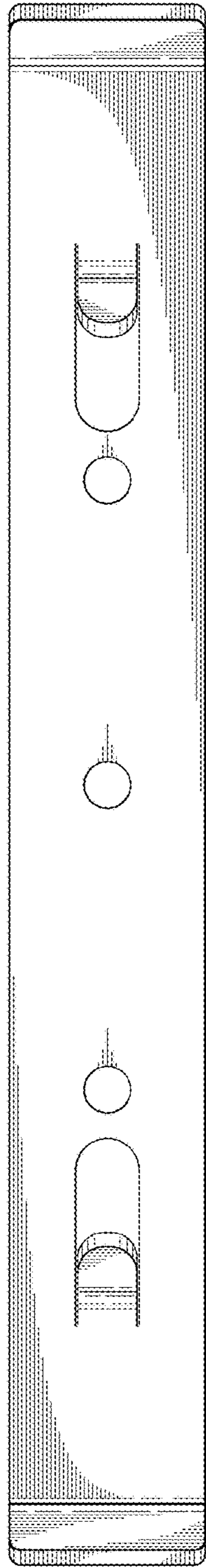


FIG. 3

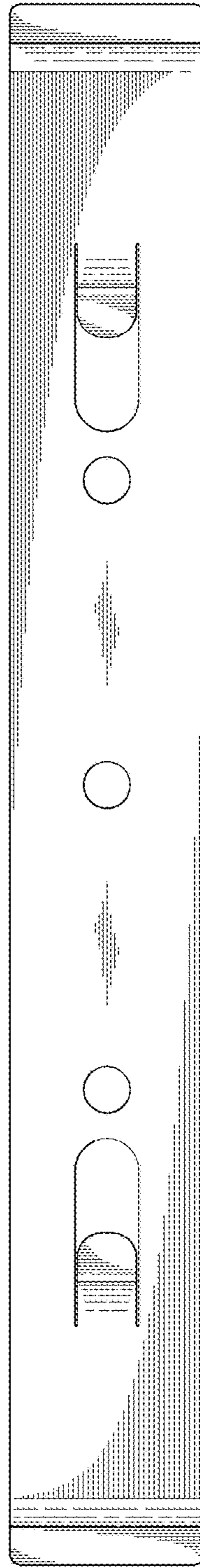


FIG. 4

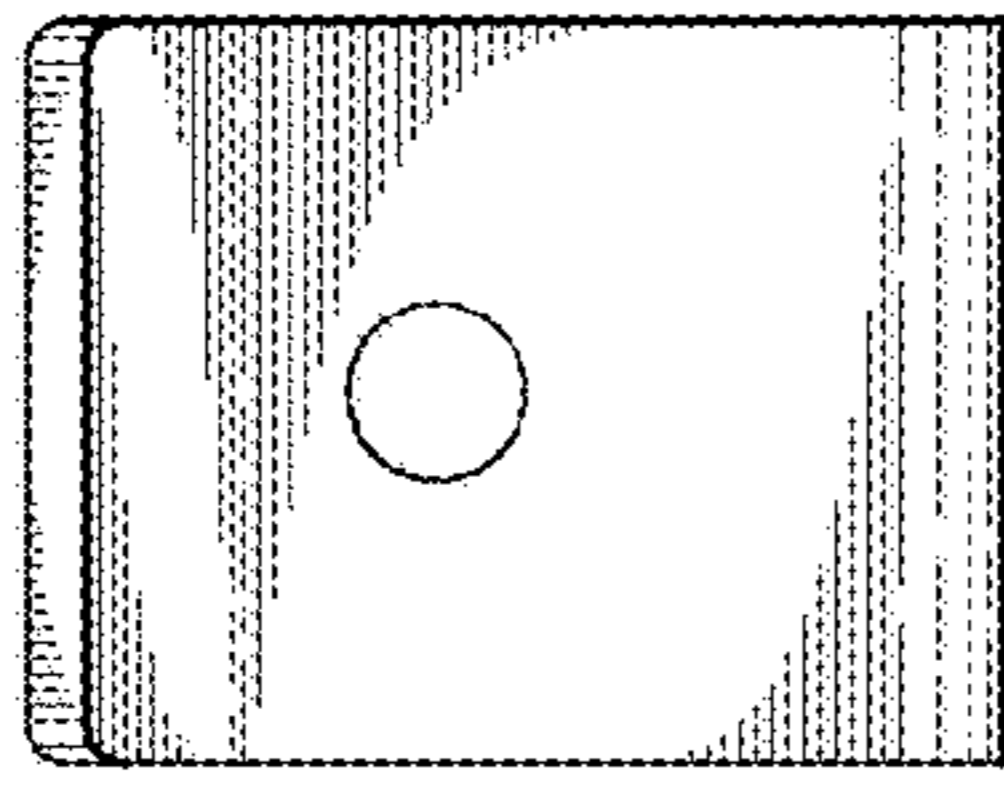


FIG. 5

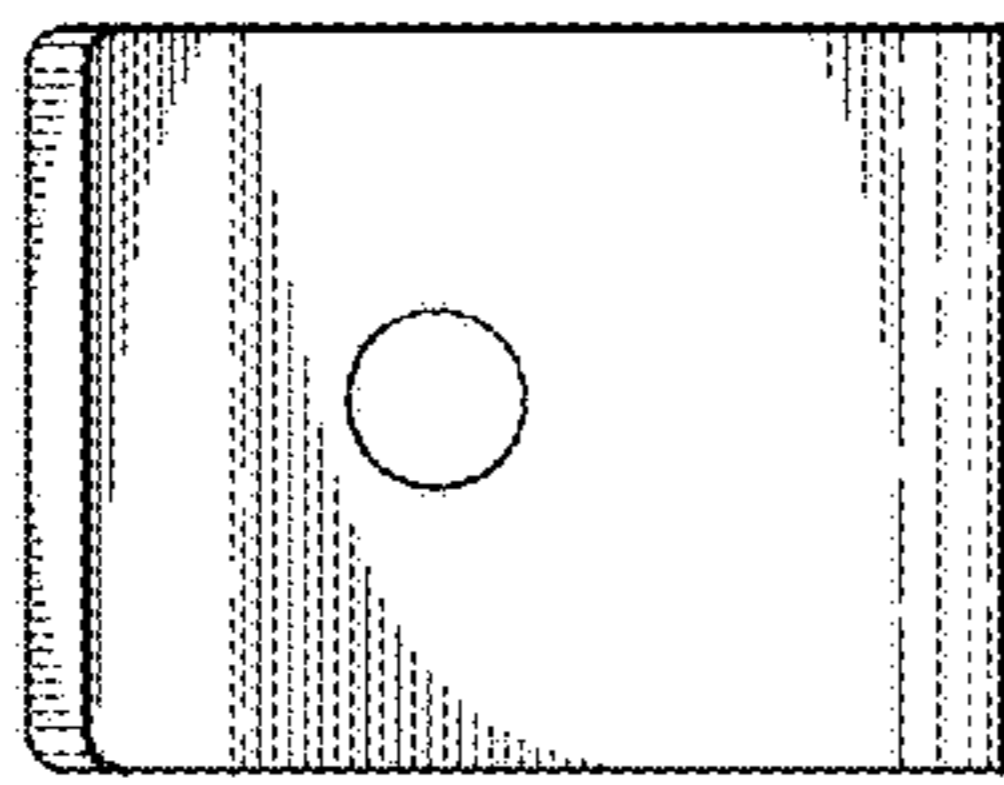


FIG. 6

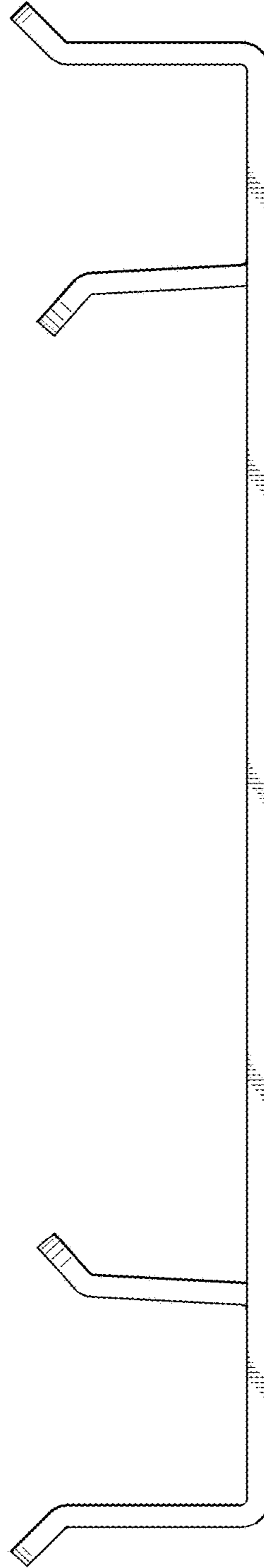


FIG. 7