



US00D849964S

(12) **United States Design Patent**
Tremblay

(10) **Patent No.:** **US D849,964 S**

(45) **Date of Patent:** **** May 28, 2019**

(54) **HABITATION**

(71) Applicant: **9202-4231 QUÉBEC INC.,**
Saint-Gédéon (CA)

(72) Inventor: **Stéphan Tremblay, Saint-Gédéon (CA)**

(73) Assignee: **9202-4231 QUÉBEC INC.,**
Saint-Gédéon (CA)

(**) Term: **15 Years**

(21) Appl. No.: **29/581,582**

(22) Filed: **Oct. 20, 2016**

(51) **LOC (11) Cl.** **25-03**

(52) **U.S. Cl.**
USPC **D25/31; D12/318**

(58) **Field of Classification Search**
USPC D25/1, 3-35, 55-59, 61; 52/79.1-79.9;
D21/834-838; D12/101-106, 300,
D12/315-318

CPC E04H 1/00-1/1277; E04H 1/14; E04H
3/00-3/04; E04H 2001/1283-2001/1294;
E04H 6/44; E04H 9/14-9/16; E04B
1/34823; E04B 1/3483; E04B 1/3444;
E04B 1/3431; E04B 1/343; E04B
1/34869; E04B 1/34321; B63B 15/00
See application file for complete search history.

(56) **References Cited**

U.S. PATENT DOCUMENTS

D115,003 S * 5/1939 Owings D25/18
D125,252 S * 2/1941 Aldrich D25/34

D151,559 S * 10/1948 Sachs D25/10
D198,554 S * 6/1964 Gales D12/315
D250,836 S * 1/1979 Lahaie D25/1
4,955,313 A * 9/1990 Terry, III B63B 15/00
114/361
D329,418 S * 9/1992 Jackson D12/315
D337,093 S * 7/1993 Tane D12/318
D622,408 S * 8/2010 Leonard D25/16
2010/0186162 A1 * 7/2010 Leonard E04H 1/1216
4/664

* cited by examiner

Primary Examiner — Brett Miller

(74) *Attorney, Agent, or Firm* — Norton Rose Fulbright
Canada LLP; Alexandre Daoust

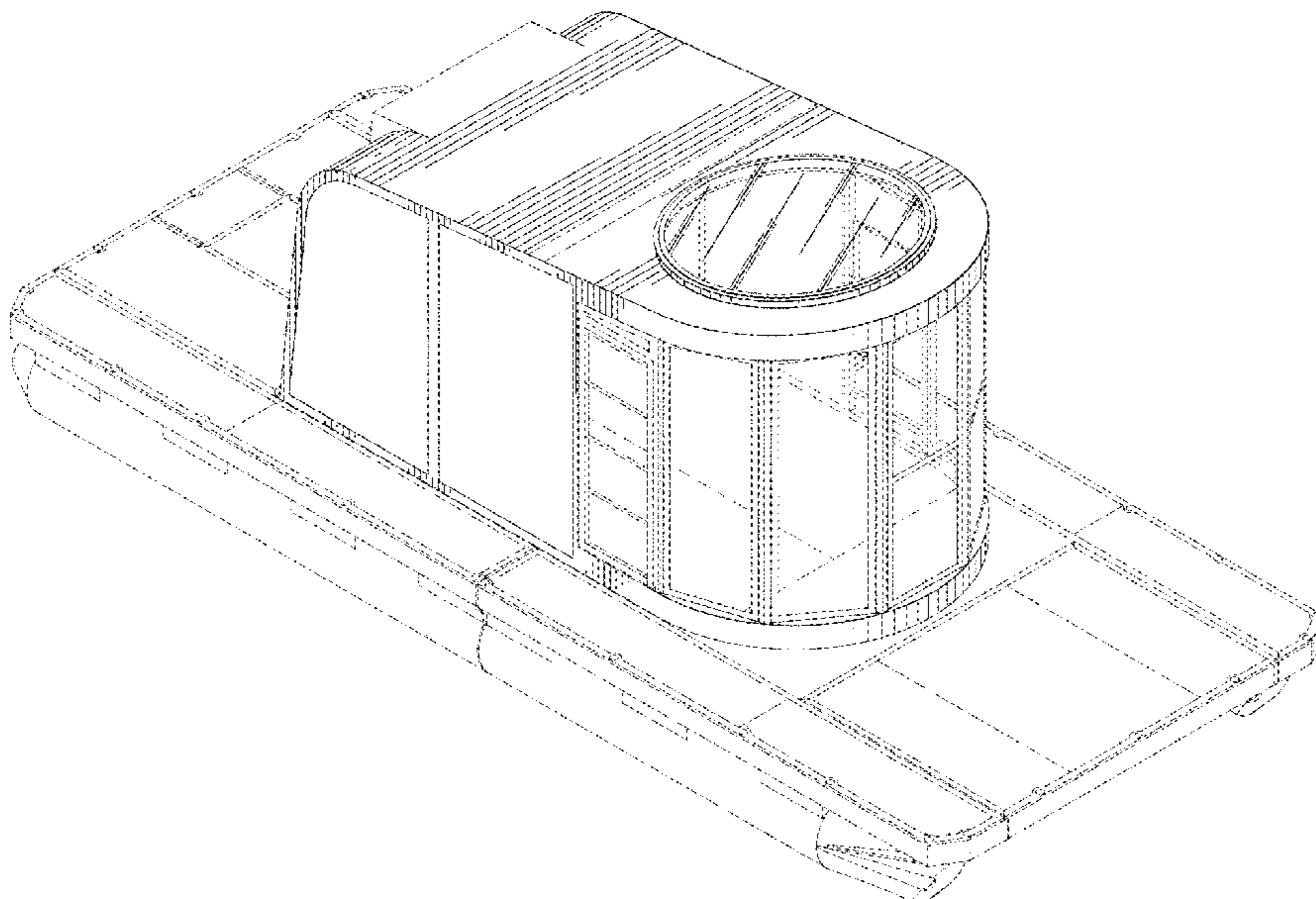
(57) **CLAIM**

The ornamental design for a habitation, as shown and described.

DESCRIPTION

FIG. 1 is an oblique view, taken from the front and from above, of a habitation showing the new design;
FIG. 2 is another oblique view thereof, taken from the rear;
FIG. 3 is a right side elevation view thereof;
FIG. 4 is a left side elevation view thereof;
FIG. 5 is a front elevation view thereof;
FIG. 6 is a rear elevation view thereof;
FIG. 7 is a top plan view thereof; and,
FIG. 8 is a bottom plan view thereof.
The dashed line showing of structural lines is included for the purpose of illustrating non-claimed subject matter and forms no part of the claimed design.

1 Claim, 8 Drawing Sheets



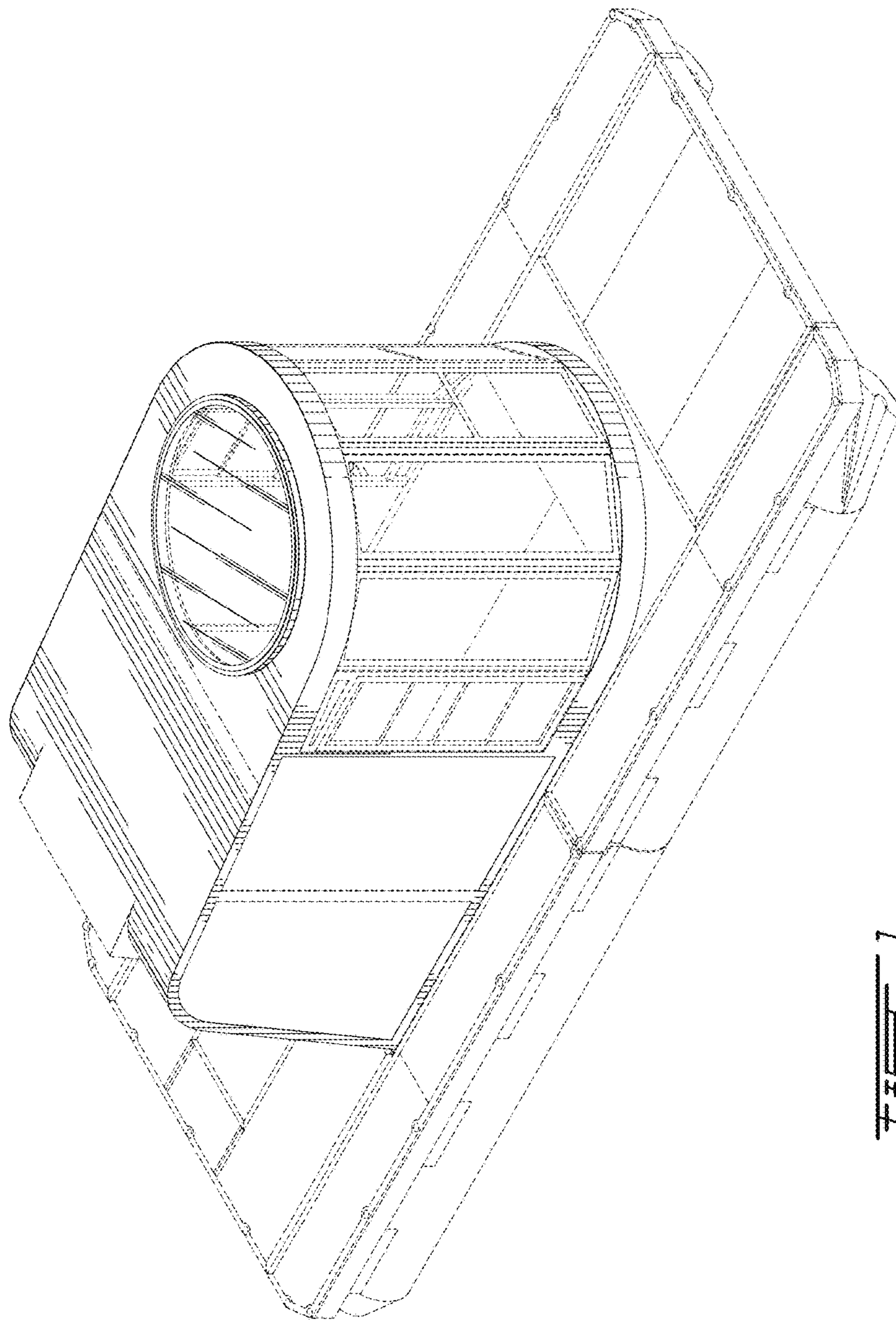
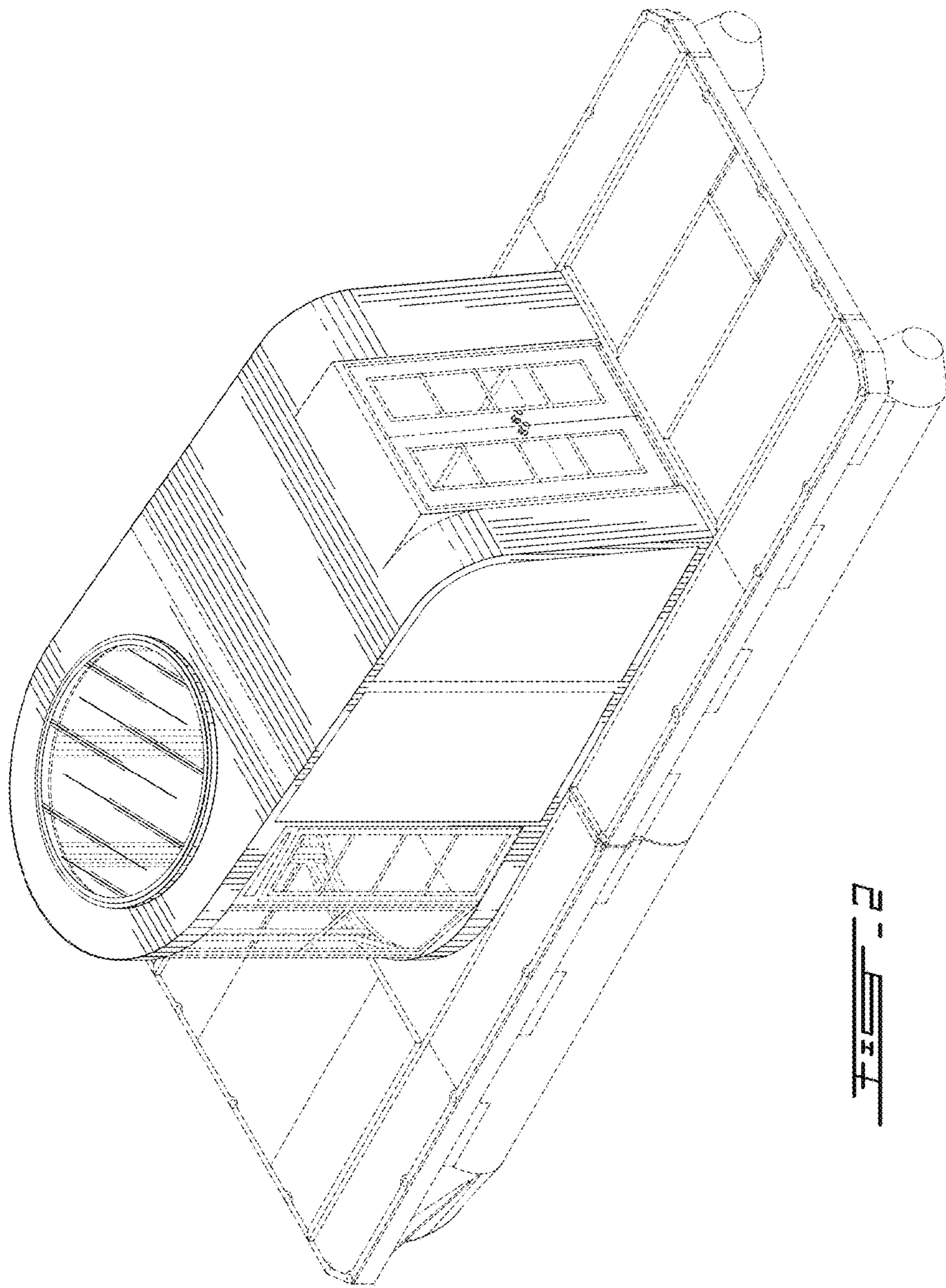
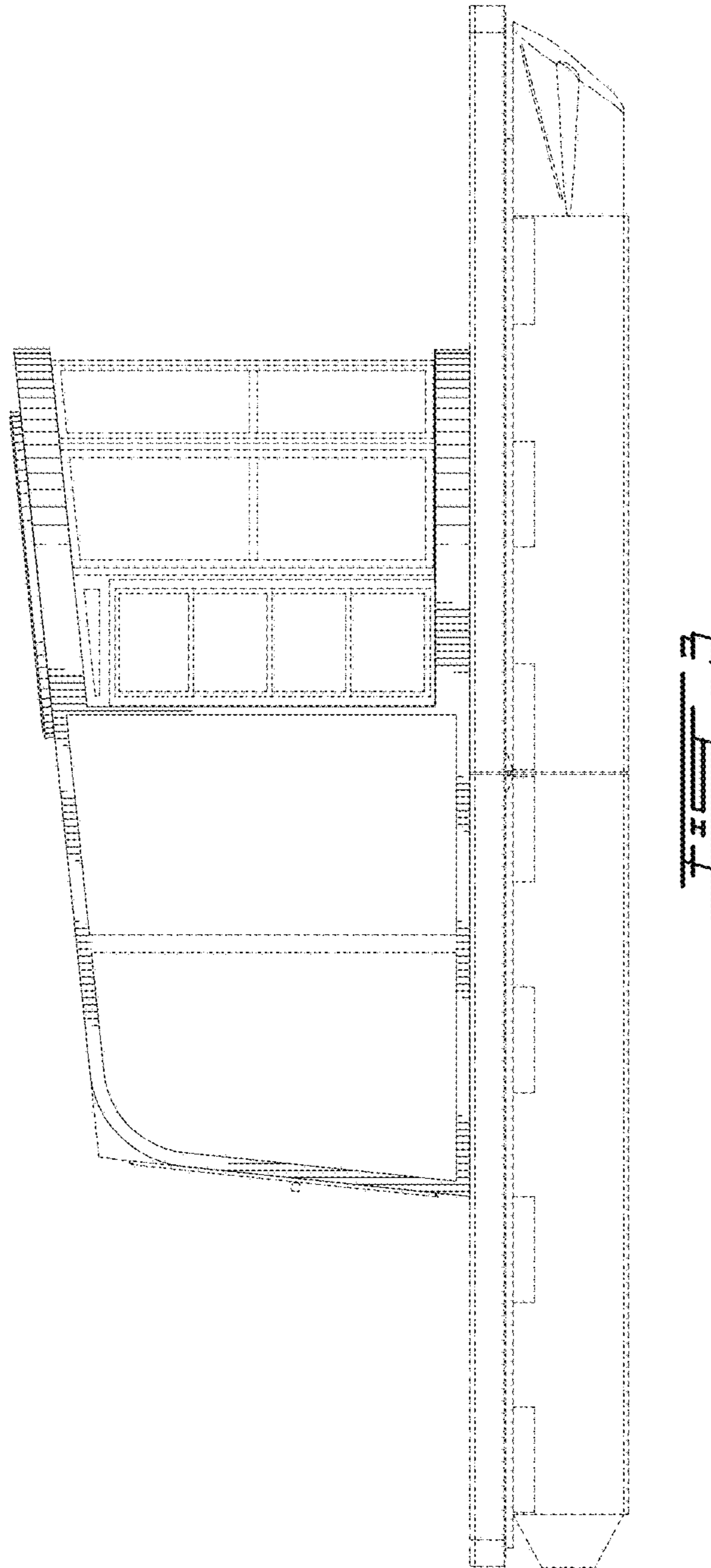


FIG. 1





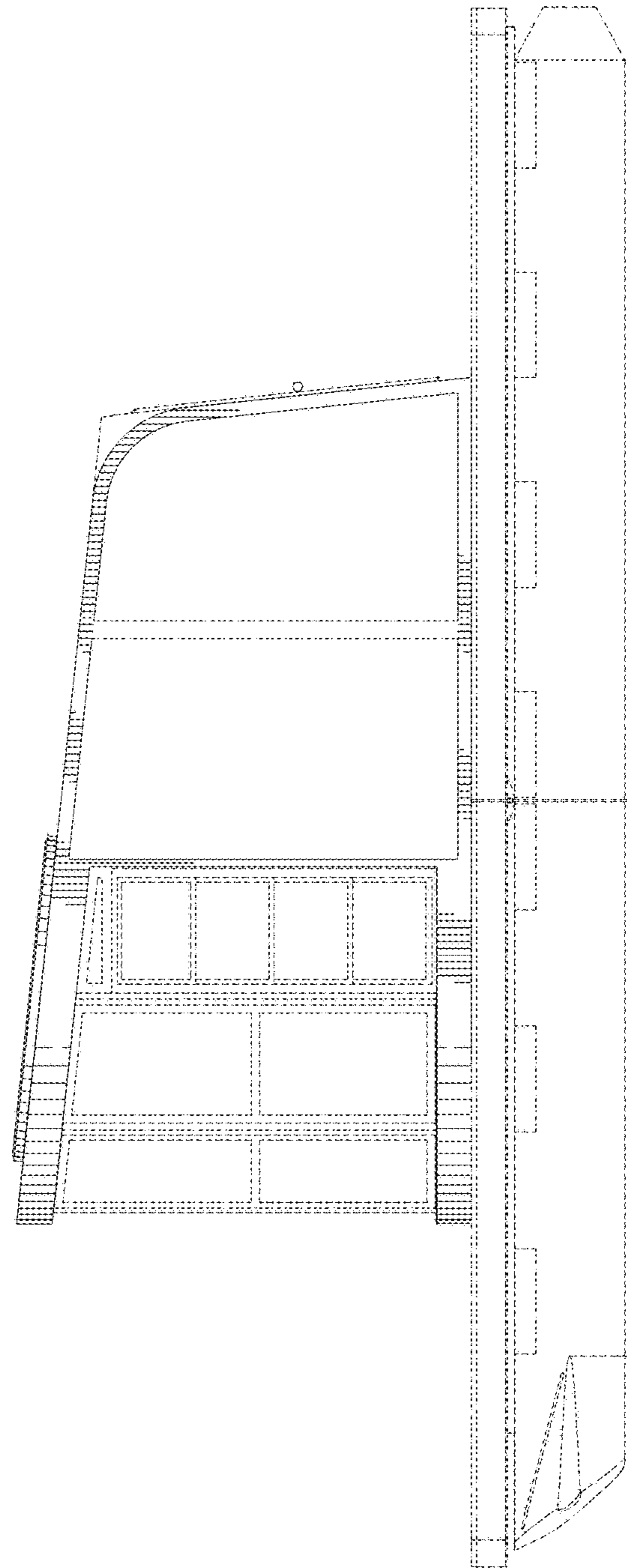


FIG. 4

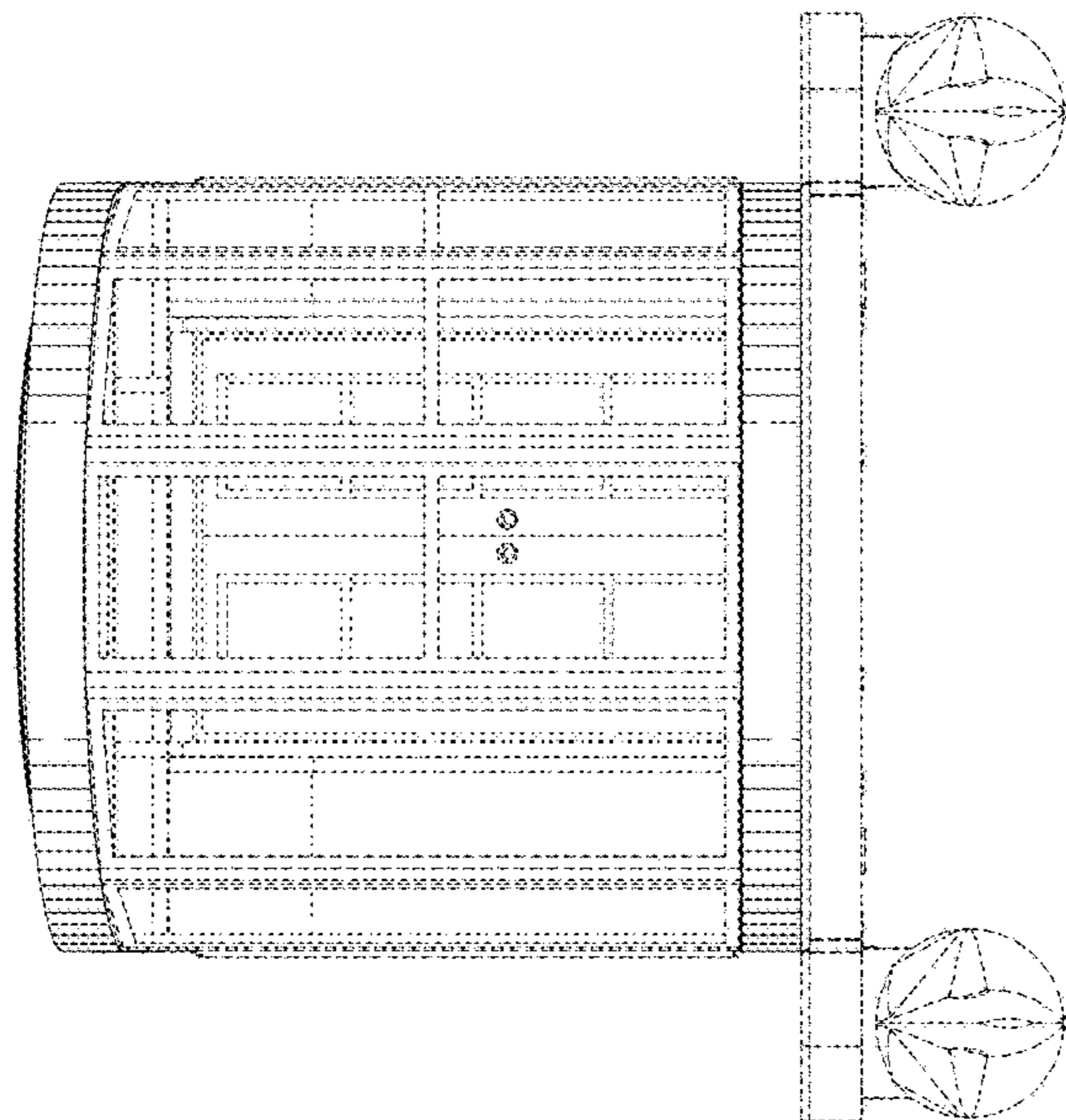


FIG. 5

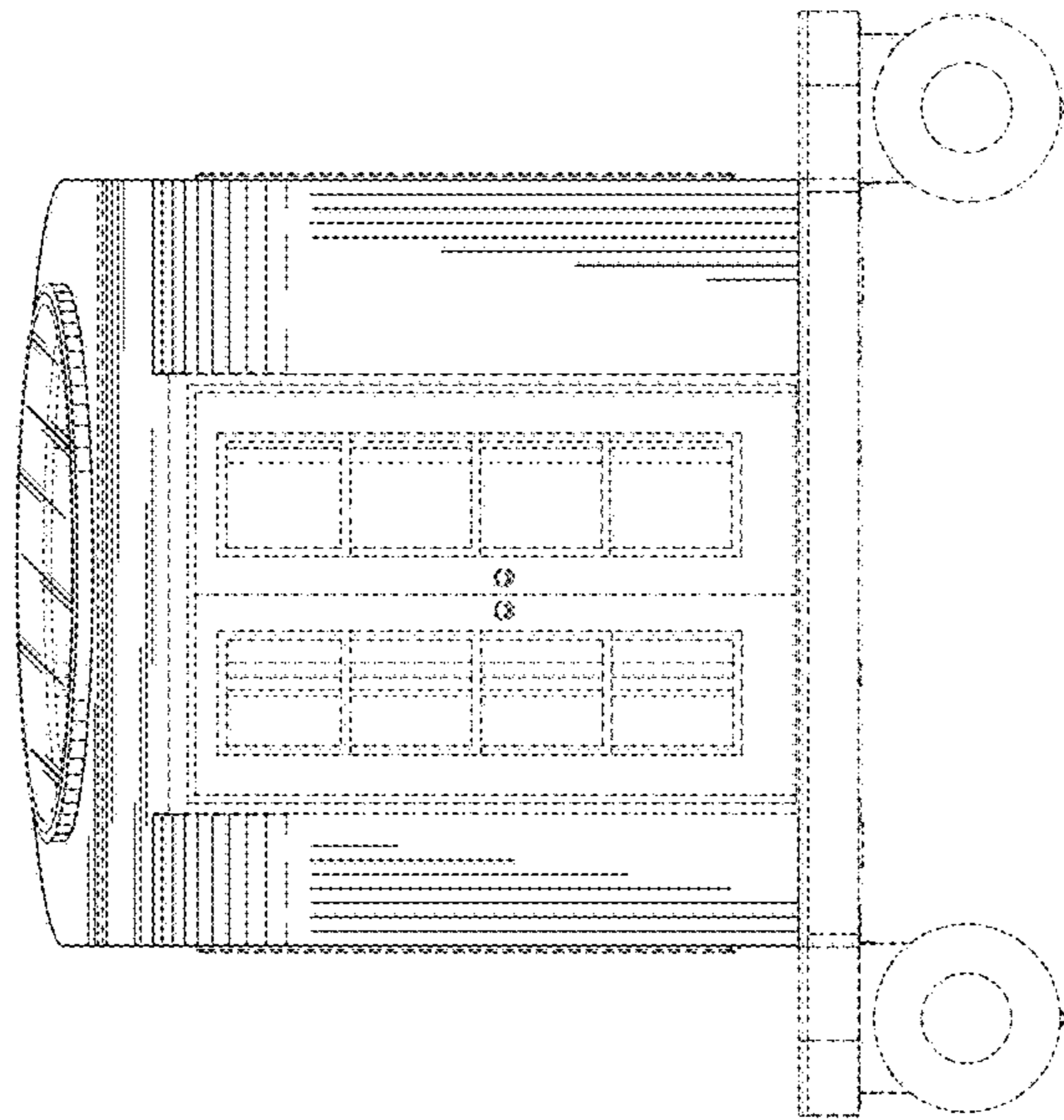


FIG. 6

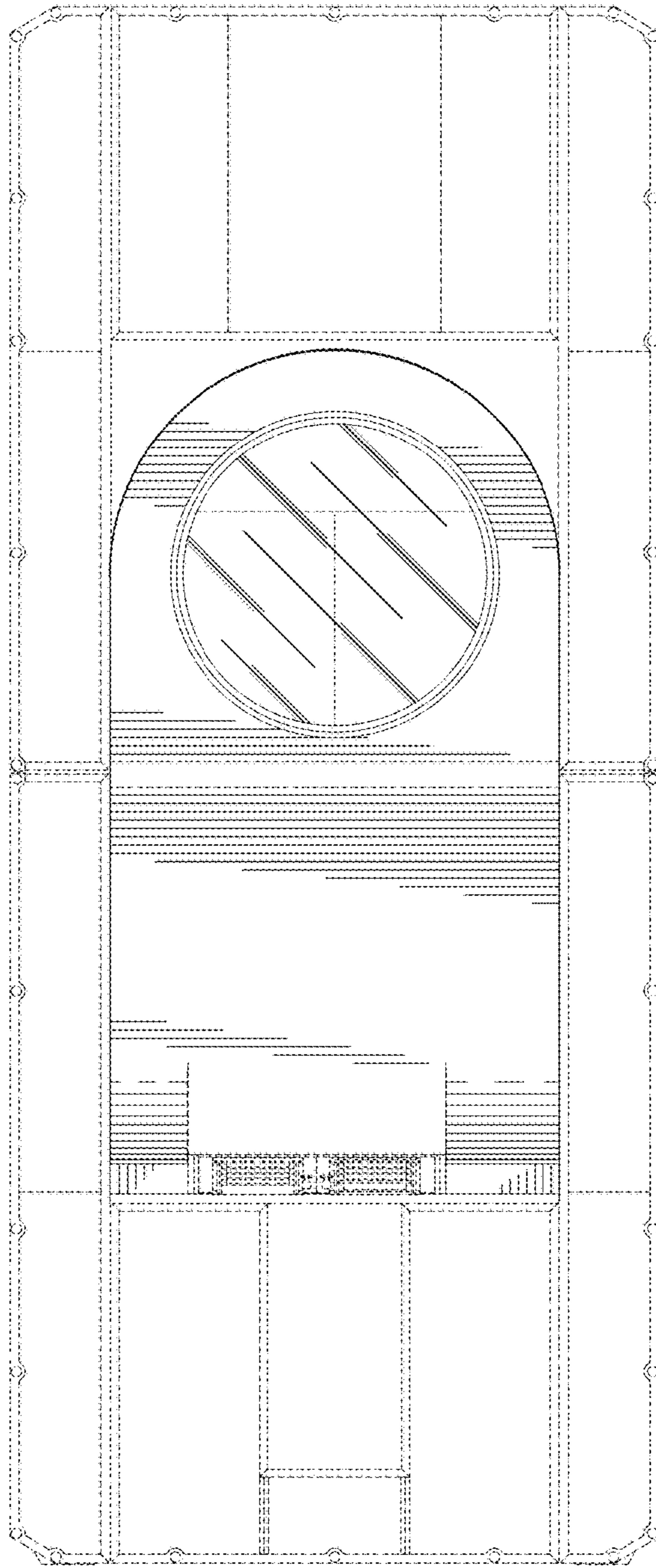


FIG. 7

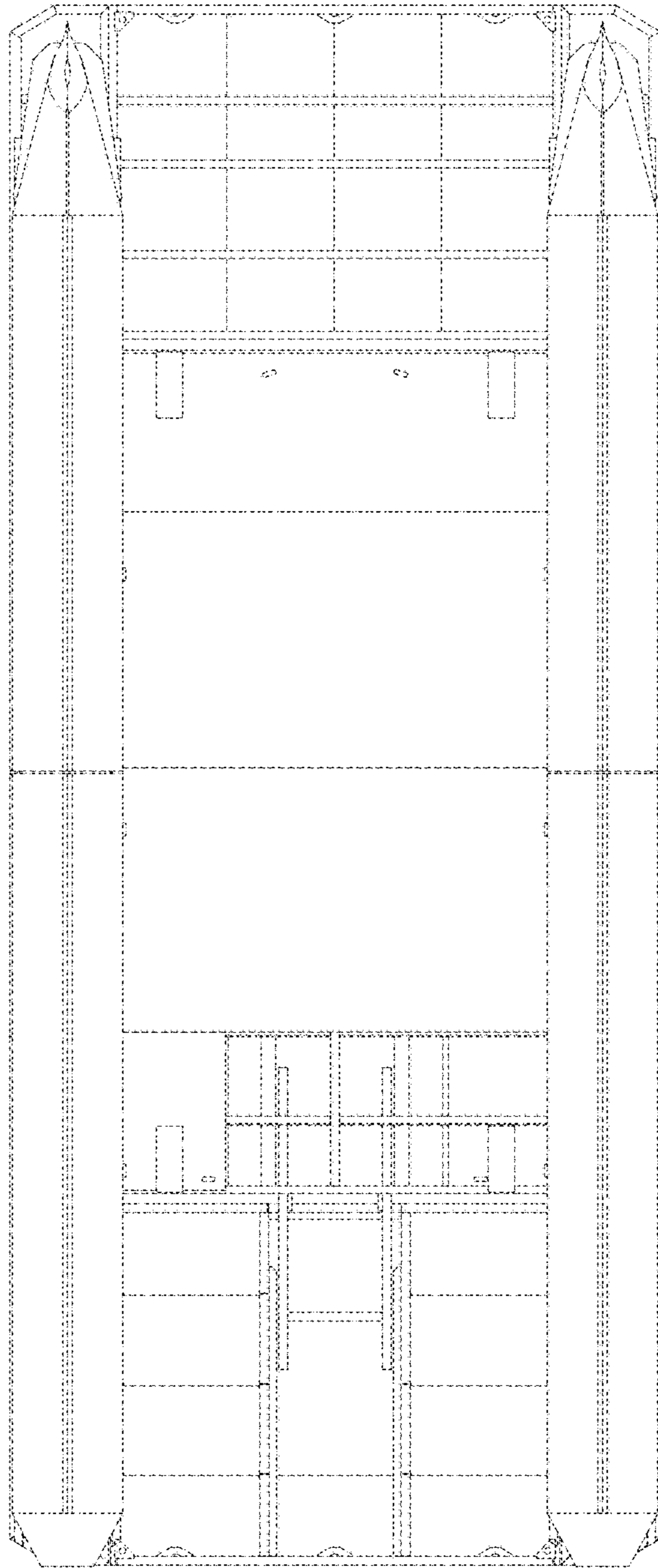


FIG. 8