

US00D849962S

(12) **United States Design Patent** (10) **Patent No.:** **US D849,962 S**  
**Curry et al.** (45) **Date of Patent:** **\*\* May 28, 2019**

(54) **PIPETTE TIP RETENTION SHEET**

(71) Applicant: **BIOTIX, INC.**, San Diego, CA (US)

(72) Inventors: **Scott Edward Curry**, Carlsbad, CA (US); **Arta Motadel**, San Diego, CA (US); **Peter Paul Blaszcak**, San Diego, CA (US)

(73) Assignee: **Biotix, Inc.**, San Diego, CA (US)

(\*\*) Term: **15 Years**

(21) Appl. No.: **29/548,015**

(22) Filed: **Dec. 9, 2015**

**Related U.S. Application Data**

(63) Continuation-in-part of application No. 29/527,027, filed on May 14, 2015, now Pat. No. Des. 815,753, and a continuation-in-part of application No. 14/712,451, filed on May 14, 2015, now Pat. No. 10,137,453, which is a continuation-in-part of application No. 14/566,143, filed on Dec. 10, 2014, now abandoned.

(51) **LOC (11) Cl.** ..... **24-02**

(52) **U.S. Cl.**

USPC ..... **D24/227**

(58) **Field of Classification Search**

USPC ..... D24/107, 121, 133, 216, 222-230, 233; D9/523, 547, 549, 550, 724, 732

CPC ..... B01F 13/0025; B01J 2219/00292; B01J 2220/64; B01L 3/14; B01L 21/0237; B01L 508/50825; B01L 52/523; G01F

11/02

See application file for complete search history.

(56) **References Cited**

**U.S. PATENT DOCUMENTS**

D246,466 S 11/1977 Attree et al.  
4,130,978 A 12/1978 Cohen

D264,810 S 6/1982 Voltmann  
4,349,109 A 9/1982 Scordato et al.  
D271,239 S 11/1983 Lemieux et al.  
4,511,534 A \* 4/1985 Bennett, Jr. .... B01L 3/021  
141/238  
D282,208 S 1/1986 Lowry  
D283,162 S 3/1986 Godsey  
4,577,760 A 3/1986 Ranin et al.  
4,676,377 A 6/1987 Rainin et al.  
5,000,921 A \* 3/1991 Hanaway ..... B01L 3/021  
422/520  
5,156,811 A 10/1992 White  
(Continued)

**FOREIGN PATENT DOCUMENTS**

EP 1110613 6/2001  
WO WO 95/08392 3/1995

(Continued)

**OTHER PUBLICATIONS**

Bioexpress Tip Eject. [online] Retrieved Jul. 19, 2018 from URL: [https://www.bioexpress.com/assetsvc/asset/en\\_US/id/11301722/contents.\\*](https://www.bioexpress.com/assetsvc/asset/en_US/id/11301722/contents.*)

(Continued)

*Primary Examiner* — Vy N Koenig

(74) *Attorney, Agent, or Firm* — Grant IP. Inc.

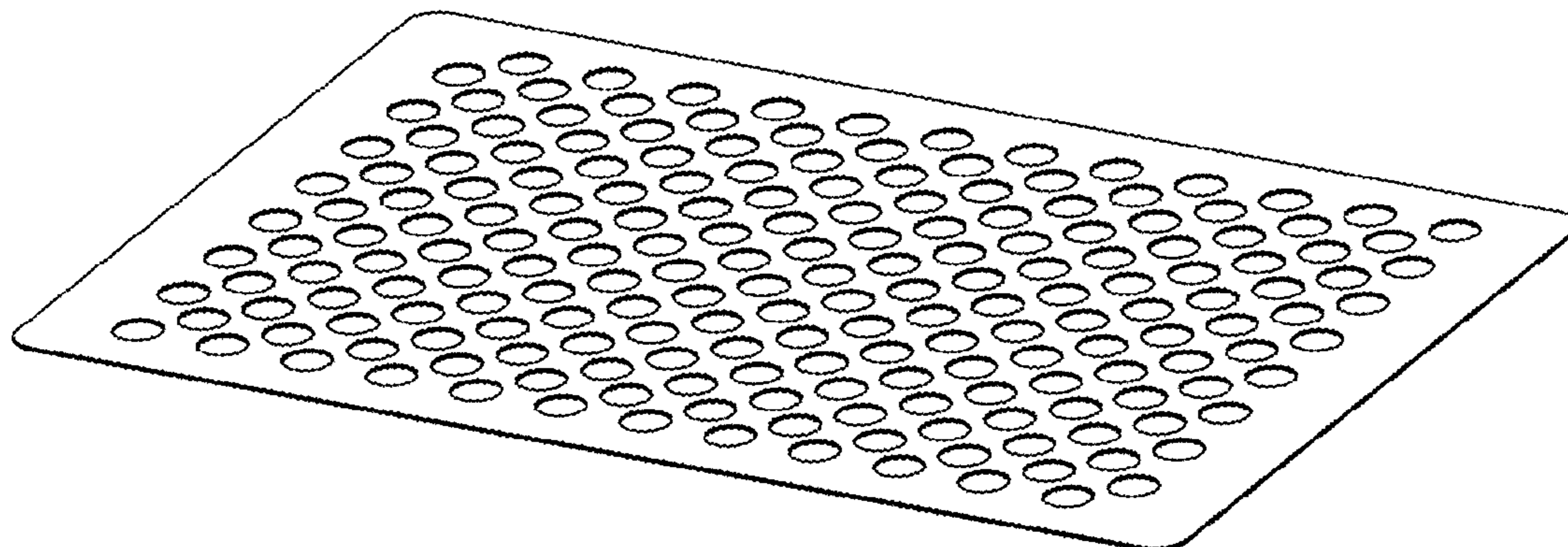
(57) **CLAIM**

The ornamental design for a pipette tip retention sheet, as shown and described.

**DESCRIPTION**

FIG. 1 is a top view of a pipette tip retention sheet embodiment having hole-to-edge offsets of varying widths; FIG. 2 is a long side view of the sheet shown in FIG. 1; FIG. 3 is a short side view of the sheet shown in FIG. 1; and, FIG. 4 is a top perspective view of the sheet shown in FIG. 1.

**1 Claim, 2 Drawing Sheets**





(56)

References Cited

U.S. PATENT DOCUMENTS

D332,145 S 12/1992 Wada et al.  
 D337,165 S 7/1993 Malinoff  
 5,255,979 A 10/1993 Ferrari  
 5,324,482 A 6/1994 Scaramella  
 5,366,088 A 11/1994 Hill et al.  
 5,392,914 A 2/1995 Lemieux et al.  
 5,441,702 A 8/1995 Lemieux  
 5,487,872 A 1/1996 Hafeman et al.  
 5,487,997 A 1/1996 Stolp  
 D369,415 S \* 4/1996 Boulton ..... D24/224  
 5,612,000 A 3/1997 Lemieux  
 5,779,984 A 7/1998 Kelly  
 5,882,603 A 3/1999 Taggart  
 D411,308 S 6/1999 Pandey et al.  
 D414,271 S 9/1999 Mendoza  
 6,007,779 A 12/1999 Lemieux et al.  
 D420,142 S 2/2000 Bailin et al.  
 D420,743 S 2/2000 Monks  
 6,019,225 A 2/2000 Kalmakis et al.  
 6,164,449 A 12/2000 Lahti  
 D439,673 S 3/2001 Brophy et al.  
 D441,091 S 4/2001 Day  
 6,238,626 B1 5/2001 Higuchi  
 6,286,678 B1 9/2001 Petrek  
 D448,854 S 10/2001 Kuiper et al.  
 D452,740 S 1/2002 Brennan et al.  
 6,426,047 B1 7/2002 Hamel et al.  
 D461,554 S 8/2002 Lafond et al.  
 D464,734 S 10/2002 Berna et al.  
 D466,219 S 11/2002 Wynschenk et al.  
 6,517,782 B1 2/2003 Horner et al.  
 6,534,015 B1 3/2003 Viot et al.  
 6,706,244 B1 \* 3/2004 Holden ..... B01J 19/0046  
 422/129  
 6,875,405 B1 4/2005 Mathus et al.  
 7,060,226 B1 6/2006 Jessop et al.  
 D529,622 S 10/2006 Hadjis et al.  
 D533,948 S 12/2006 Schaub et al.  
 D534,658 S 1/2007 Bargh  
 7,169,361 B2 1/2007 Arnold et al.  
 7,187,286 B2 \* 3/2007 Morris ..... B01L 3/5027  
 340/572.1  
 7,220,590 B2 5/2007 Moritz et al.  
 D556,338 S 11/2007 Coulling et al.  
 D556,339 S 11/2007 Coulling et al.  
 D562,463 S 2/2008 Berndt et al.  
 7,335,337 B1 2/2008 Smith  
 D574,505 S 8/2008 Muller-Cohn et al.  
 D576,208 S 9/2008 Quercetti  
 7,459,128 B2 \* 12/2008 Karg ..... B01F 11/0071  
 222/133  
 D593,207 S 5/2009 Ayliffe  
 D598,566 S 8/2009 Allaer  
 7,628,960 B2 12/2009 Ruddock  
 D608,013 S 1/2010 Coulling et al.  
 D632,404 S 2/2011 Karpiloff  
 D632,803 S \* 2/2011 Motadel ..... D24/229  
 7,906,075 B2 3/2011 Ueda  
 7,968,056 B2 6/2011 Stockwell  
 8,088,593 B2 \* 1/2012 Burd ..... B01J 19/0046  
 435/7.92  
 D654,186 S 2/2012 Park et al.  
 D657,473 S 4/2012 Miyashita et al.  
 8,148,168 B2 4/2012 Gjerde et al.  
 D673,294 S 12/2012 Motadel  
 D673,296 S \* 12/2012 Fry ..... D24/227  
 D677,400 S 3/2013 Blaettler  
 D679,025 S 3/2013 Motadel et al.  
 D679,830 S \* 4/2013 May ..... D24/224  
 8,453,838 B2 6/2013 Hill  
 8,460,622 B2 6/2013 Motadel  
 8,470,265 B2 6/2013 Motadel et al.  
 D690,027 S \* 9/2013 Motadel ..... D24/227  
 8,590,736 B2 11/2013 Motadel  
 D697,227 S 1/2014 Motadel

D699,370 S \* 2/2014 Motadel ..... D24/229  
 D699,371 S \* 2/2014 Williams ..... D24/230  
 D699,859 S \* 2/2014 Motadel ..... D24/227  
 D702,854 S 4/2014 Nakahana  
 D707,847 S 6/2014 Motadel et al.  
 D709,718 S 7/2014 Snyder  
 8,790,578 B2 7/2014 Wohlstadter  
 8,795,606 B2 8/2014 Motadel et al.  
 D724,236 S \* 3/2015 Motadel ..... D24/227  
 9,089,845 B2 7/2015 Motadel et al.  
 D745,698 S \* 12/2015 Hage ..... D24/225  
 9,238,227 B2 \* 1/2016 Motadel ..... B01L 9/543  
 9,302,262 B2 4/2016 Motadel  
 9,464,739 B2 \* 10/2016 Chiang ..... F16L 25/10  
 9,511,364 B2 \* 12/2016 Andersin ..... B01L 3/021  
 9,579,656 B2 \* 2/2017 Finneran ..... B01L 9/06  
 D804,050 S \* 11/2017 Coulling ..... D24/224  
 D815,753 S \* 4/2018 Curry ..... D24/227  
 2003/0064508 A1 4/2003 Kwasnoski et al.  
 2003/0152494 A1 8/2003 Moritz et al.  
 2004/0033168 A1 2/2004 Hughes  
 2005/0136546 A1 6/2005 Berndt  
 2006/0093530 A1 5/2006 Ueda  
 2006/0257292 A1 11/2006 Motadel  
 2007/0017870 A1 1/2007 Belov et al.  
 2008/0240999 A1 10/2008 Timpson  
 2008/0284602 A1 11/2008 Morris  
 2009/0007702 A1 1/2009 Yiu  
 2009/0255949 A1 10/2009 Motadel  
 2010/0080734 A1 4/2010 Brophy  
 2010/0089938 A1 4/2010 Motadel  
 2010/0119418 A1 5/2010 Clements  
 2010/0266457 A1 10/2010 Rethwisch et al.  
 2010/0314051 A1 12/2010 Barger  
 2011/0236278 A1 9/2011 Motadel et al.  
 2012/0257953 A1 10/2012 Williams  
 2013/0108522 A1 5/2013 Cohen et al.  
 2014/0205518 A1 7/2014 Malinoski  
 2014/0234182 A1 8/2014 Motadel et al.  
 2014/0314637 A1 10/2014 Motadel et al.  
 2015/0110690 A1 4/2015 Stiles  
 2015/0283548 A1 10/2015 Motadel et al.  
 2016/0167041 A1 6/2016 Curry et al.  
 2016/0319329 A1 11/2016 Natale  
 2017/0080432 A1 3/2017 Curry  
 2017/0297030 A1 10/2017 Motadel et al.  
 2018/0117595 A1 5/2018 Curry et al.

FOREIGN PATENT DOCUMENTS

WO WO 00/24513 5/2000  
 WO WO 01/70401 9/2001  
 WO WO 02/072261 9/2002  
 WO WO 03/064271 8/2003  
 WO WO 06/133440 12/2006  
 WO WO 09/126945 10/2009  
 WO WO 10/085669 7/2010  
 WO WO 13/181163 12/2013  
 WO WO 2016/094553 6/2016

OTHER PUBLICATIONS

Office Action dated Apr. 19, 2017 in U.S. Appl. No. 14/746,711, filed Jun. 22, 2015 and published as U.S. 2015-0283548 on Oct. 8, 2015.  
 Office Action dated May 26, 2017 in U.S. Appl. No. 14/712,451, filed May 14, 2015 and published as U.S. 2016-0167041 on Jun. 16, 2016.  
 International Preliminary Report on Patentability dated Jun. 22, 2017 for International Application No. PCT/US2015/064784, filed on Dec. 9, 2015 and published as WO 2016/094553 on Jun. 16, 2016.  
 International Search Report and Written Opinion dated Sep. 2, 2010 in International Application No. PCT/US2010/021838 filed on Jan. 22, 2010 and published as: WO 10/085669 on: Jul. 29, 2010.  
 Extended European Search Report dated: Jun. 1, 2012 in European Application No. EP10733922 filed Jan. 22, 2010, based on Inter-



(56)

**References Cited**

## OTHER PUBLICATIONS

national Application No: PCT/US2010/021838 filed Jan. 22, 2010 and published as WO/2010/085669 on Jul. 29, 2010.  
International Preliminary Report on Patentability dated Aug. 4, 2011 in International Application No. PCT/US2010/021838 filed on Jan. 22, 2010 and published as: WO 10/085669 on: Jul. 29, 2010.  
U.S. Appl. No. 61/044,243, filed Apr. 11, 2008 by Arta Motadel.  
Office Action dated Jun. 25, 2013 in U.S. Appl. No. 29/445,143, filed Feb. 27, 2013.  
Office Action dated Feb. 12, 2014 in U.S. Appl. No. 29/445,143, filed Feb. 27, 2013.  
Office Action dated Feb. 26, 2013 in U.S. Appl. No. 12/692,426, filed Jan. 22, 2012 and published as: US-2010/0221151 on: Sep. 2, 2010.  
Office Action dated Sep. 25, 2012 in U.S. Appl. No. 12/692,426, filed Jan. 22, 2012 and published as: US-2010/0221151 on: Sep. 2, 2010.  
Office Action dated Feb. 13, 2012 in U.S. Appl. No. 12/692,426, filed Jan. 22, 2012 and published as: US-2010/0221151 on: Sep. 2, 2010.  
Office Action dated Apr. 26, 2012 in U.S. Appl. No. 29/354,397, filed Jan. 22, 2010.  
Office Action dated Nov. 8, 2012 in U.S. Appl. No. 29/354,397, filed Jan. 22, 2010.  
Office Action dated Mar. 27, 2014 in U.S. Appl. No. 13/769,212, filed on Feb. 15, 2013 and published as US-2013-0161226 on Jun. 27, 2013.  
Office Action dated Oct. 23, 2014 in U.S. Appl. No. 13/769,212, filed Feb. 15, 2013 and published as US-2013-0161226 on Jun. 27, 2013.  
Office Action dated Apr. 3, 2015 in U.S. Appl. No. 13/769,212, filed Feb. 15, 2013 and published as US-2013-0161226 on Jun. 27, 2013.  
Office Action dated Sep. 24, 2015 in U.S. Appl. No. 14/746,711, filed Jun. 22, 2015 and published as US-2015-0283548 on Oct. 8, 2015.  
Office Action dated Oct. 1, 2015 in U.S. Appl. No. 14/712,451, filed May 14, 2015.  
Office Action dated Oct. 28, 2016 in U.S. Appl. No. 14/746,711, filed Jun. 22, 2015 and published as US-2015-0283548 on Oct. 8, 2015.  
Office Action dated Nov. 3, 2016 in U.S. Appl. No. 14/712,451, filed May 14, 2015 and published as US-2016-0167041 on Jun. 16, 2016.

Office Action dated Apr. 6, 2016 in U.S. Appl. No. 14/746,711, filed Jun. 22, 2015 and published as US-2015-0283548 on Oct. 8, 2015.  
Office Action dated Jun. 13, 2016 in U.S. Appl. No. 14/712,451, filed May 14, 2015 and published as US-2016-0167041 on Jun. 16, 2016.  
Office Action dated Jul. 31, 2017 in U.S. Appl. No. 29/527,027, filed May 14, 2015.  
Office Action dated Oct. 5, 2017 in U.S. Appl. No. 15/637,148, filed Jun. 29, 2017 and published as US-2017-0297030 on Oct. 19, 2017.  
Office Action dated Nov. 8, 2017 in U.S. Appl. No. 14/712,451, filed May 14, 2015 and published as US-2016-0167041 on Jun. 16, 2016.  
Office Action dated Dec. 13, 2017 in U.S. Appl. No. 29/601,729, filed Apr. 25, 2017.  
Office Action dated Dec. 13, 2017 in U.S. Appl. No. 29/601,730, filed Apr. 25, 2017.  
Office Action dated Dec. 18, 2017 in U.S. Appl. No. 29/527,027, filed May 14, 2015.  
Office Action dated Jan. 25, 2018 in U.S. Appl. No. 29/527,027, filed May 14, 2015.  
Office Action dated Mar. 26, 2018 in U.S. Appl. No. 29/601,729, filed Apr. 25, 2017.  
Office Action dated May 17, 2018 in U.S. Appl. No. 29/601,730, filed Apr. 25, 2017.  
Office Action dated Jun. 22, 2018 in U.S. Appl. No. 15/277,923, filed Sep. 27, 2016 and published as US-2017-0080432 on Mar. 23, 2017.  
Office Action dated Jul. 27, 2018 in U.S. Appl. No. 14/712,451, filed May 14, 2015 and published as US-2016-0167041 on Jun. 16, 2016.  
Office Action dated Aug. 27, 2018 in U.S. Appl. No. 15/852,620, filed Dec. 22, 2017.  
Office Action dated Sep. 17, 2018 in U.S. Appl. No. 29/592,989, filed Feb. 3, 2017.  
Office Action dated Nov. 26, 2018 in U.S. Appl. No. 15/277,923, filed Sep. 27, 2016 and published as US 2017-0080432 dated Mar. 23, 2017.  
Office Action dated Nov. 28, 2018 in U.S. Appl. No. 15/543,224, filed Jul. 12, 2017 and published as US 2018-0117595 dated May 3, 2018.  
Office Action dated Dec. 28, 2018 in U.S. Appl. No. 29/592,989, filed Feb. 3, 2017.  
Office Action dated Jan. 9, 2019 in U.S. Appl. No. 15/852,620, filed Dec. 22, 2017 and published as US 2018-0304269 dated Oct. 25, 2018.

\* cited by examiner

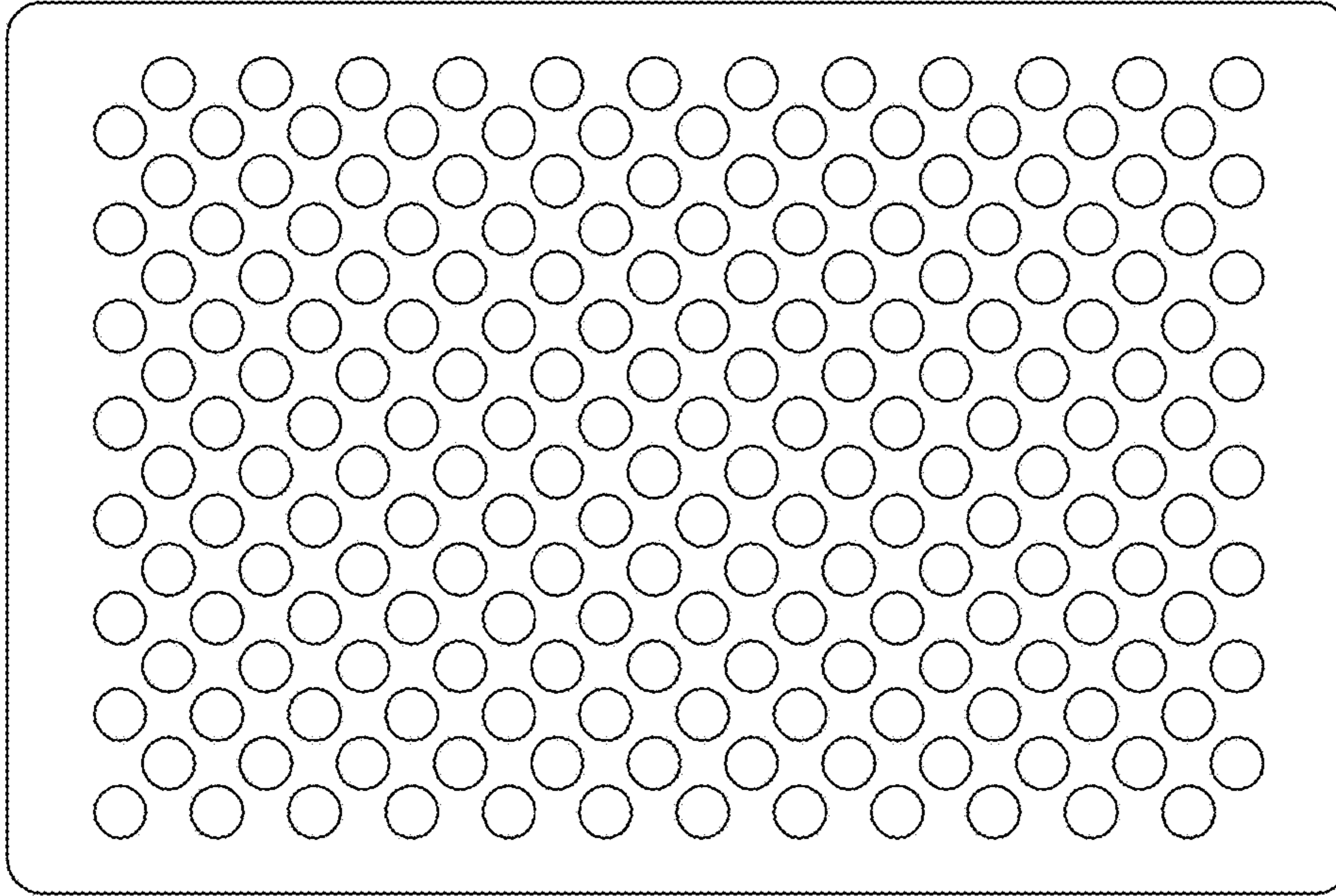


Fig. 1



Fig. 2



Fig. 3

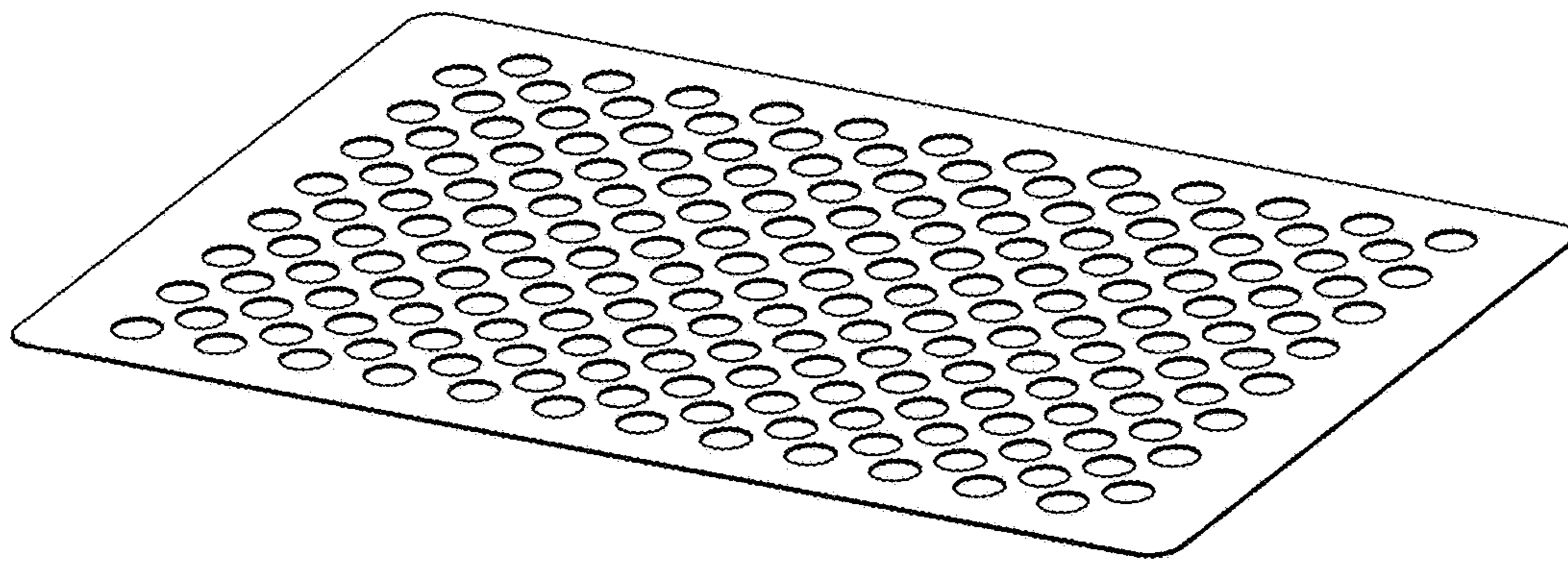


Fig. 4