



US00D849961S

(12) **United States Design Patent** (10) **Patent No.:** **US D849,961 S**
Muller et al. (45) **Date of Patent:** **** May 28, 2019**

- (54) **TUBE RETENTION TRAY** 8,597,597 B2 * 12/2013 Deutsch B01L 3/5085
 422/553
 (71) Applicant: **Becton, Dickinson and Company,** D699,371 S * 2/2014 Williams D24/230
 Franklin Lakes, NJ (US) 8,647,593 B2 * 2/2014 Yin B01L 9/523
 211/126.1
 (72) Inventors: **Charles D. Muller,** Glen Rock, PA D710,024 S * 7/2014 Guo D24/230
 (US); **Steven C. Rotundo,** Baltimore, D718,465 S * 11/2014 Tajima D24/224
 MD (US) 8,906,327 B2 * 12/2014 Williams B01L 9/543
 422/524
 (73) Assignee: **Becton, Dickinson and Company,** D724,236 S * 3/2015 Motadel D24/227
 Franklin Lakes, NJ (US) 9,079,183 B2 * 7/2015 Yin B01L 9/523
 D810,959 S * 2/2018 Langhoff D24/230
 D815,753 S * 4/2018 Curry D24/227
 2016/0319329 A1 * 11/2016 Natale G01N 35/028

(**) Term: **15 Years**

* cited by examiner

(21) Appl. No.: **29/564,495**

Primary Examiner — Susan Bennett Hattan

(22) Filed: **May 13, 2016**

Assistant Examiner — Rebecca Tsehaye

(51) **LOC (11) Cl.** **24-02**

(74) *Attorney, Agent, or Firm* — Lerner, David,
Littenberg, Krumholz & Mentlik, LLP

(52) **U.S. Cl.**
USPC **D24/224**

(58) **Field of Classification Search**
USPC D24/230, 227–229, 232, 216–217,
D24/224–269, 551–553, 560–562, 400;
211/126.1, 74, 70.1; 435/288.4, 305.2;
206/443
CPC B01L 9/06; B01L 9/065
See application file for complete search history.

(57) **CLAIM**

The ornamental design for a tube retention tray, as shown and described.

DESCRIPTION

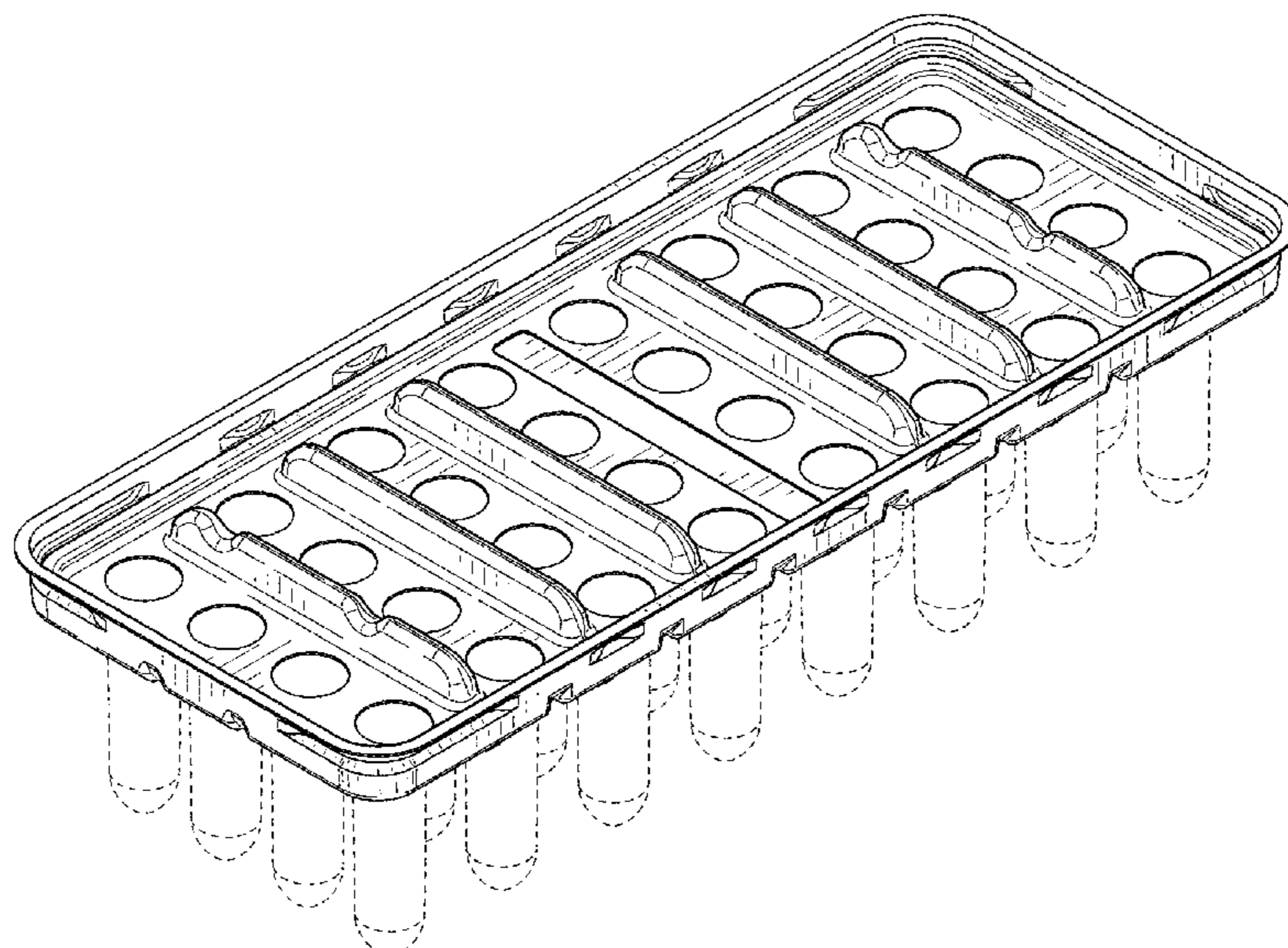
FIG. 1 is a front perspective view of a tube retention tray according to our design;
 FIG. 2 is a front elevational view thereof;
 FIG. 3 is a rear elevational view thereof;
 FIG. 4 is a right side elevational view thereof;
 FIG. 5 is a left side elevational view thereof;
 FIG. 6 is a top plan view thereof;
 FIG. 7 is a bottom plan view thereof; and,
 FIG. 8 is an exploded front perspective view thereof.
 The broken lines illustrate unclaimed environmental structure and form no part of the claimed design.

(56) **References Cited**

U.S. PATENT DOCUMENTS

- D414,271 S * 9/1999 Mendoza D24/224
 D420,743 S * 2/2000 Monks D24/224
 D441,091 S * 4/2001 Day D24/224
 D452,740 S * 1/2002 Brennan D24/216
 D598,566 S * 8/2009 Allaer D24/230
 D608,013 S * 1/2010 Coulling D24/224
 D654,186 S * 2/2012 Park D24/227
 D675,748 S * 2/2013 Hilligoss D24/230

1 Claim, 4 Drawing Sheets



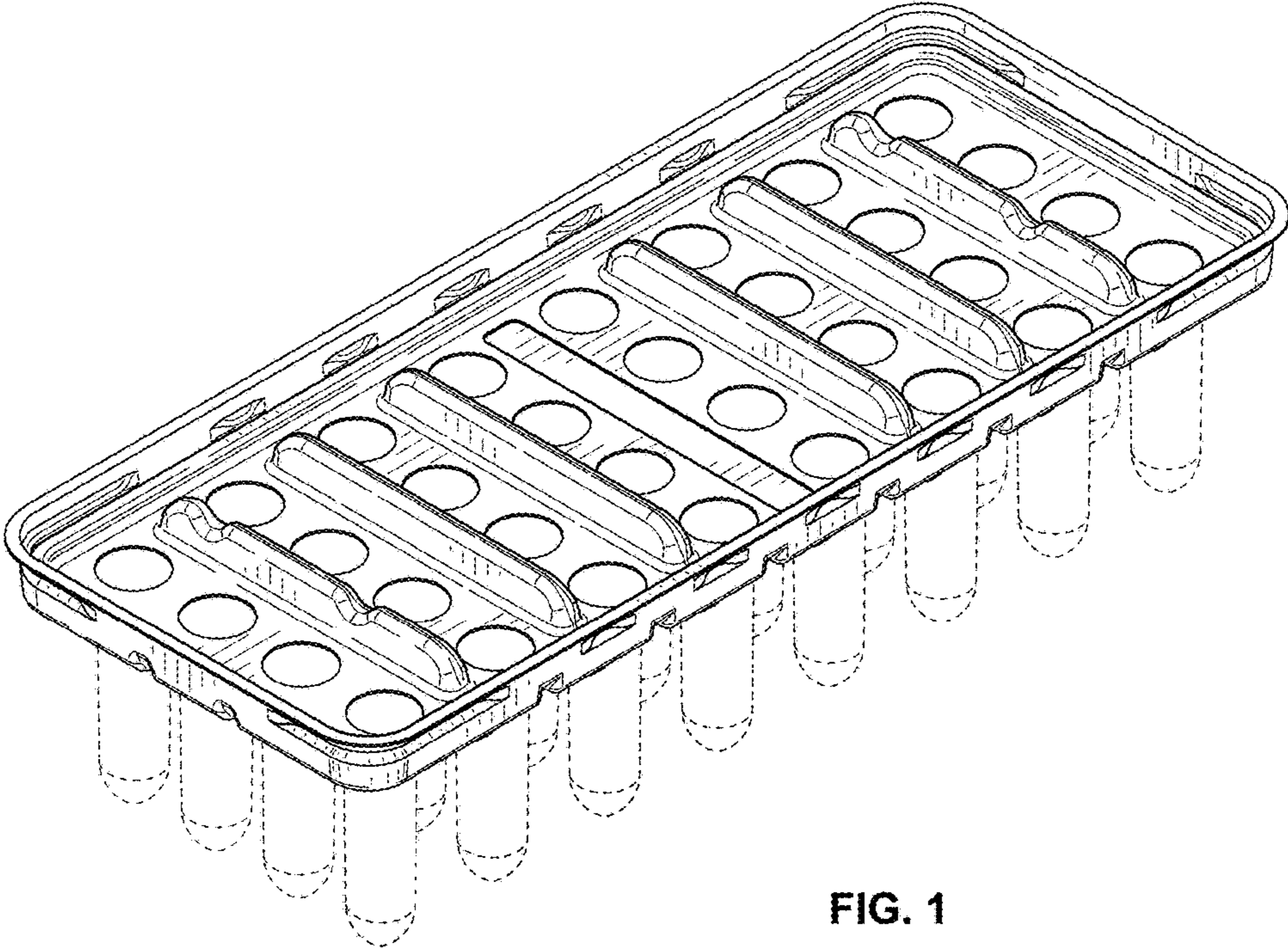


FIG. 1

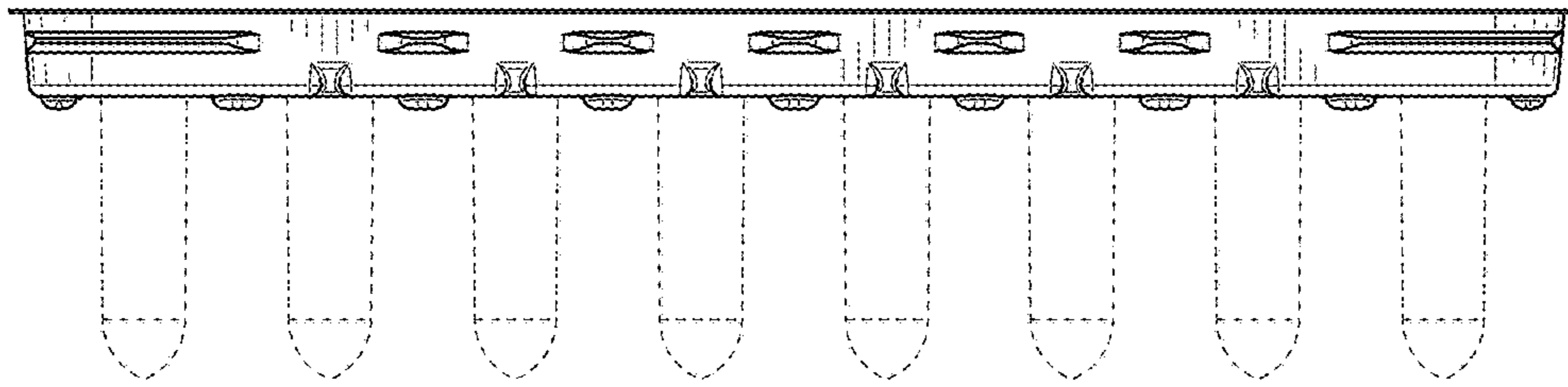


FIG. 2

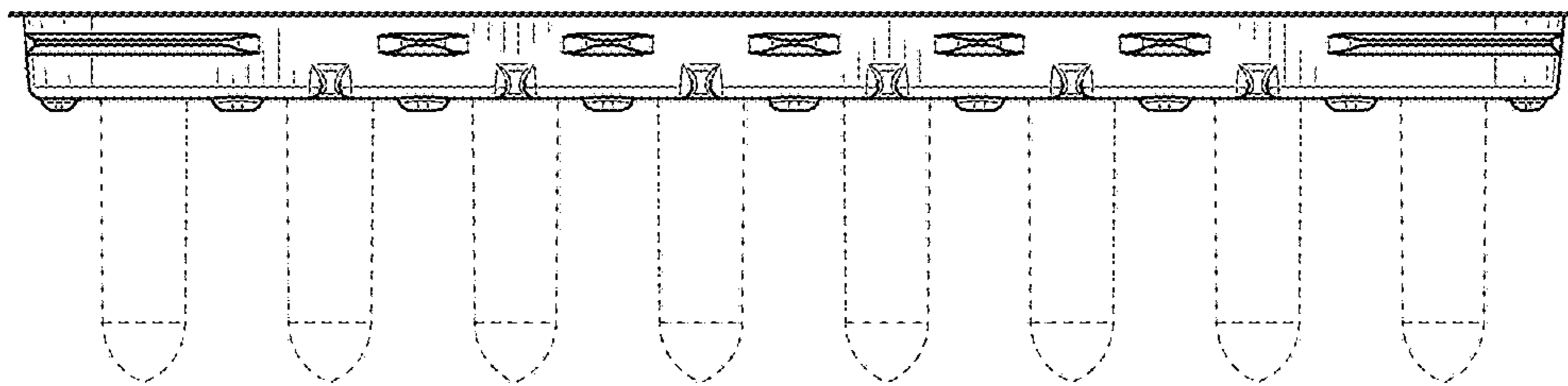


FIG. 3

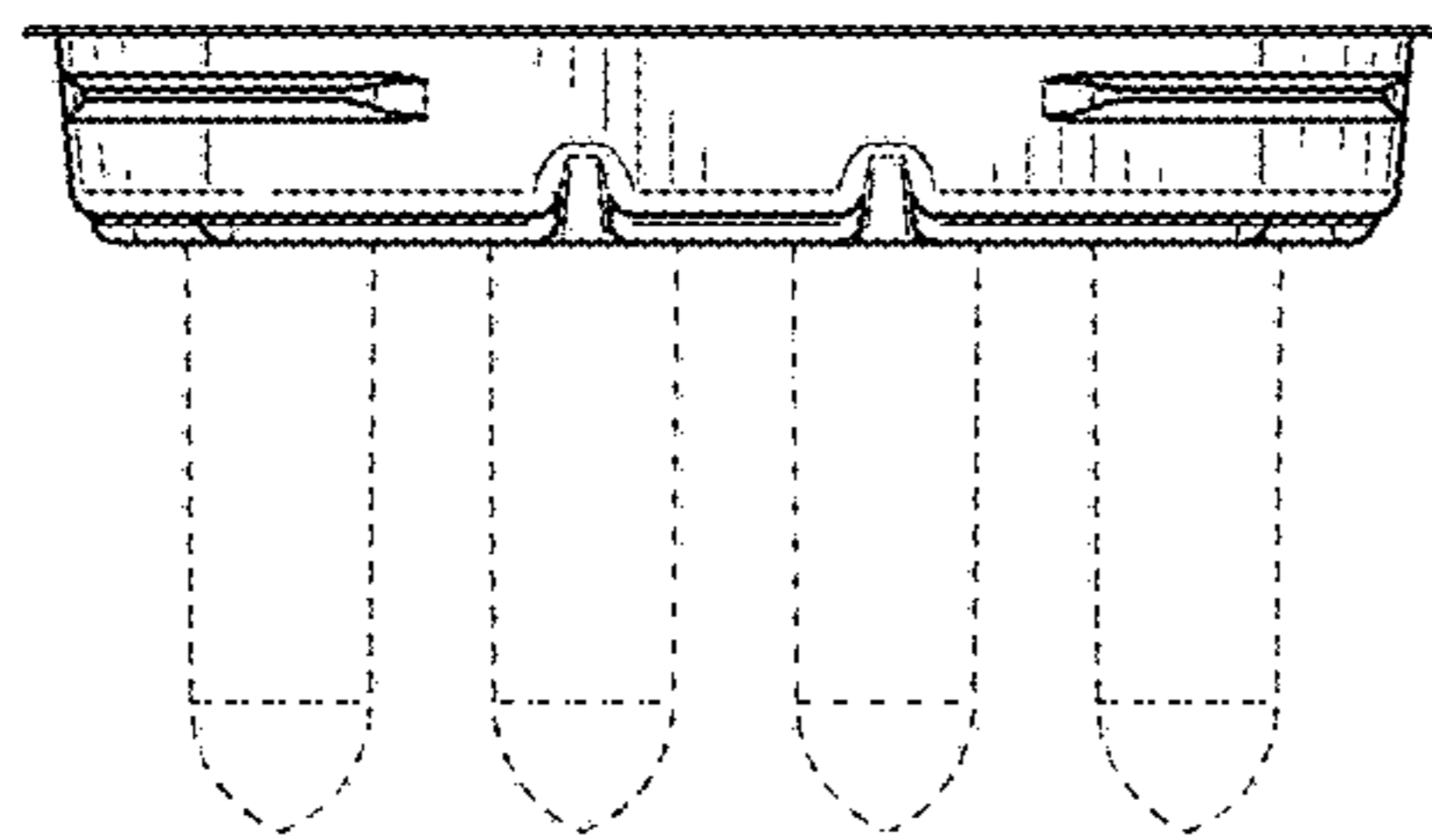


FIG. 4

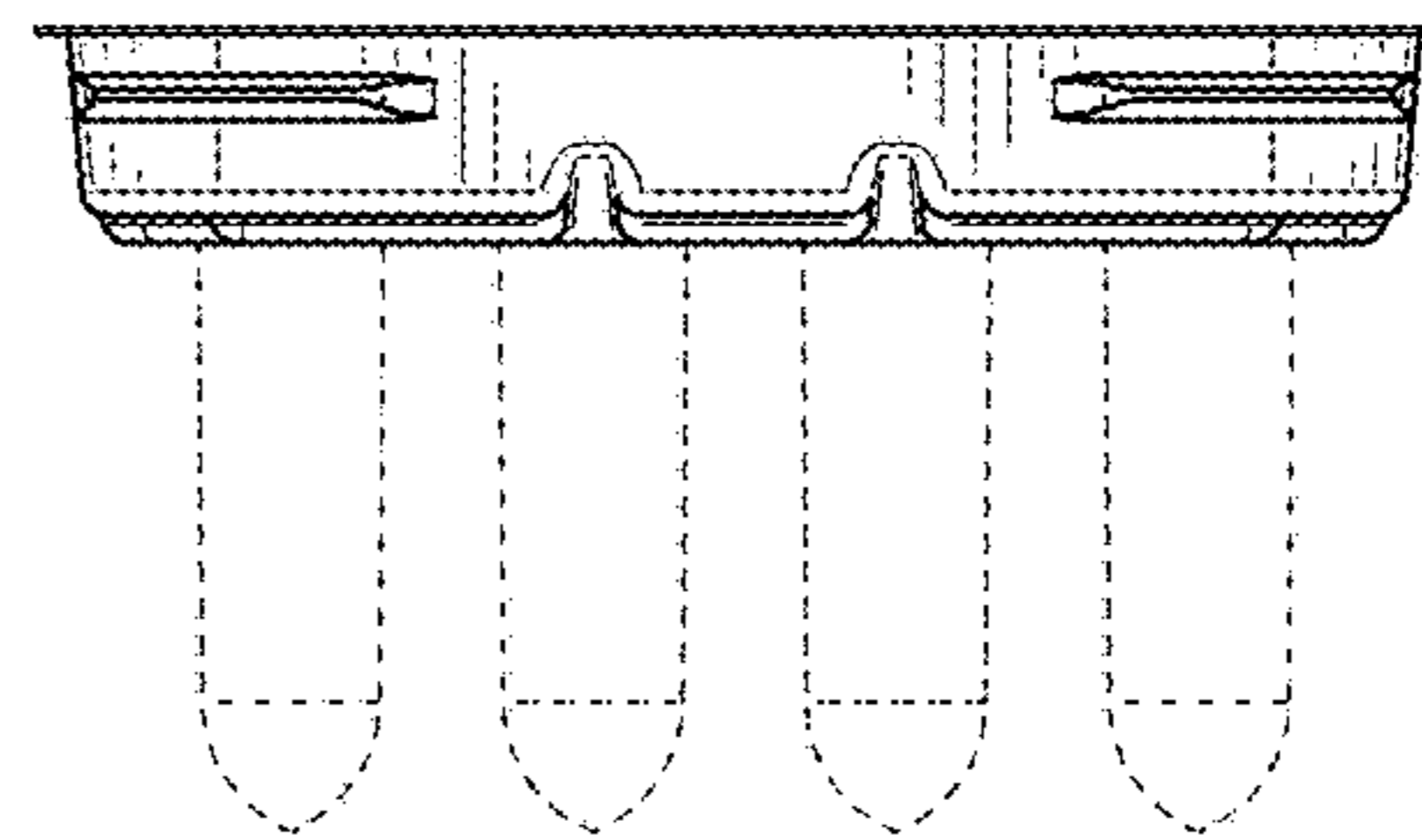


FIG. 5

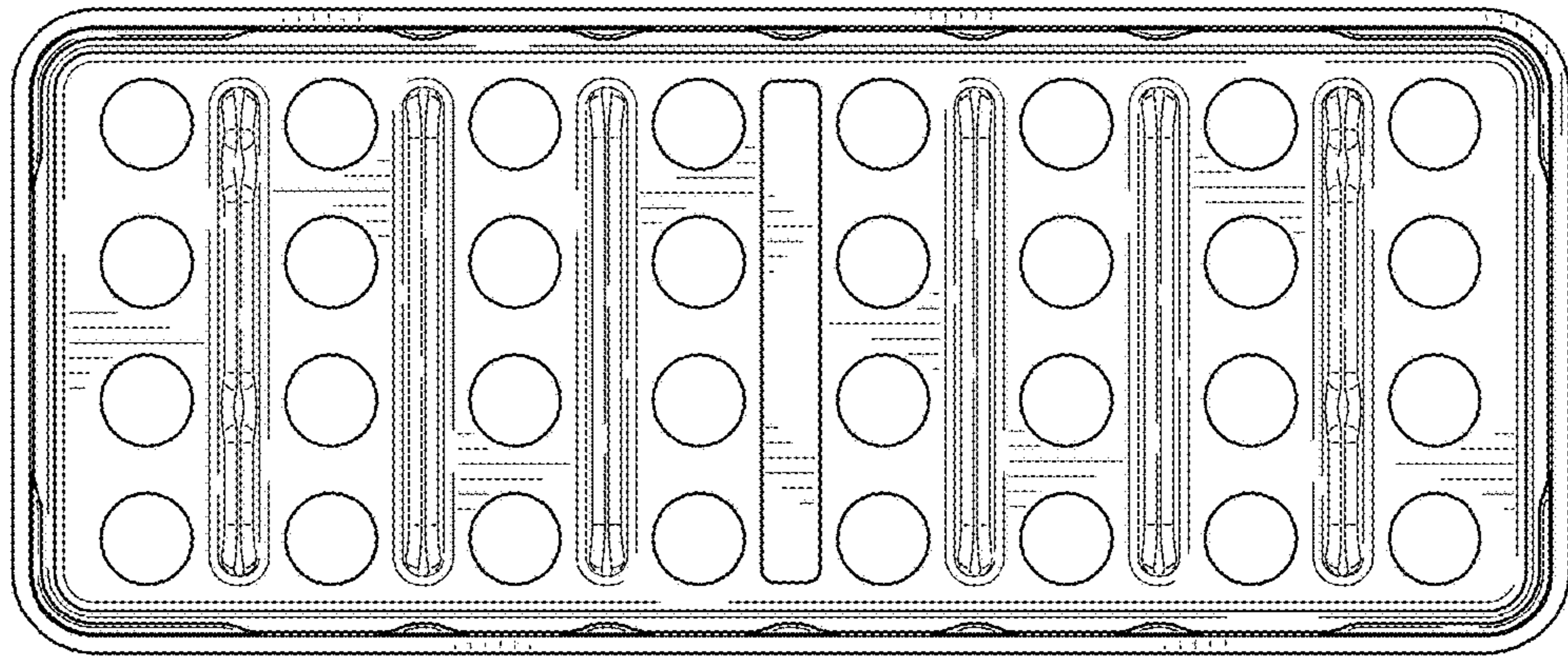


FIG. 6

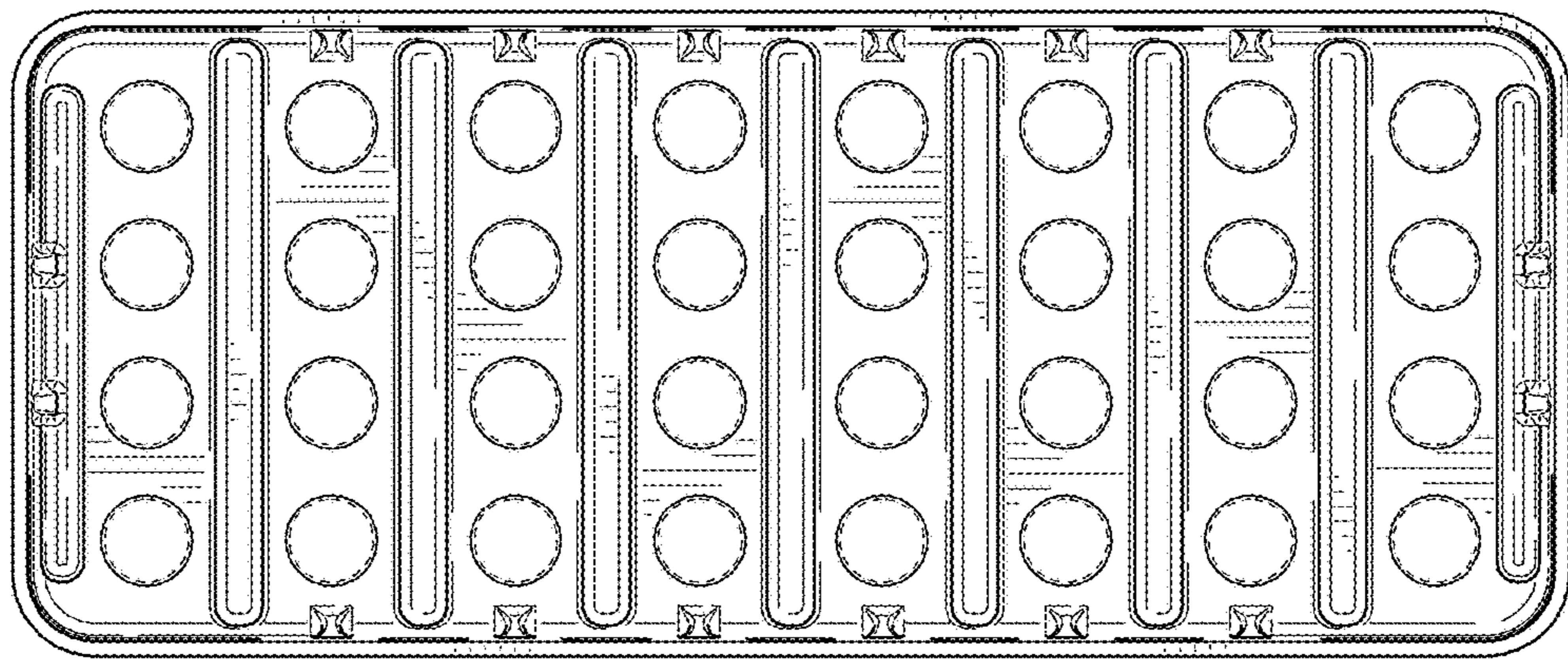


FIG. 7

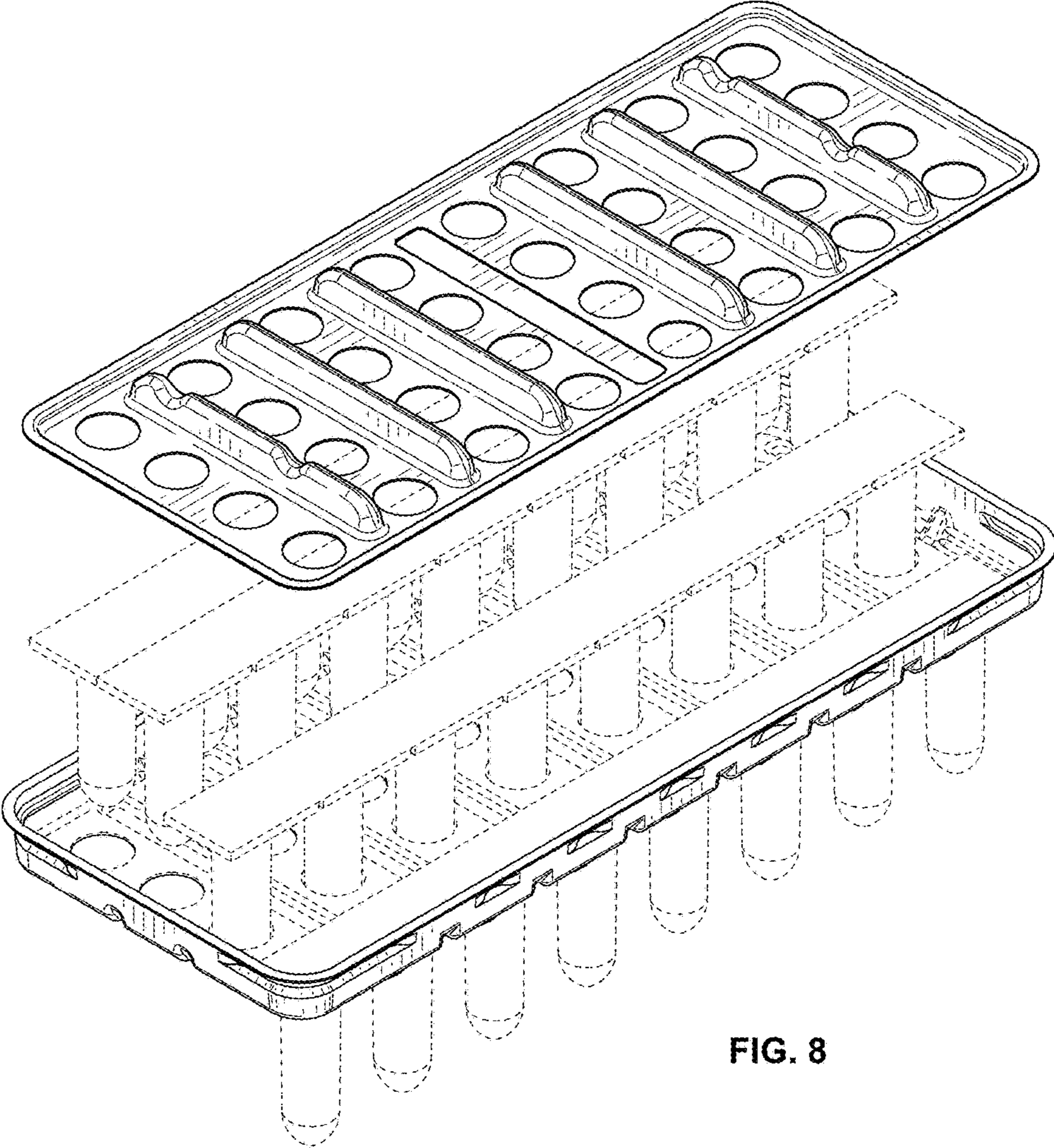


FIG. 8