

US00D849958S

(12) **United States Design Patent** (10) **Patent No.:** **US D849,958 S**
Badger et al. (45) **Date of Patent:** **** May 28, 2019**

(54) **HYGIENIC PACIFIER**
(71) Applicant: **Doddle & Co, LLC**, Montclair, NJ (US)
(72) Inventors: **Janna Rae Budge Badger**, Seoul (KR); **Nichole Radzely**, Montclair, NJ (US)
(73) Assignee: **Doddle & Co., LLC**, Montclair, NJ (US)
(**) Term: **15 Years**
(21) Appl. No.: **29/581,016**
(22) Filed: **Oct. 14, 2016**
(51) **LOC (11) Cl.** **24-04**
(52) **U.S. Cl.**
USPC **D24/194**
(58) **Field of Classification Search**
USPC D24/117, 193, 194, 195, 196, 199;
D30/151, 152, 153, 154
CPC A61J 17/008; A61J 17/001; A61J 11/006;
A61J 11/0035
See application file for complete search history.

(56) **References Cited**
U.S. PATENT DOCUMENTS
3,363,630 A 1/1968 Hines
3,653,610 A 4/1972 Owen
5,211,656 A 5/1993 Maddocks et al.
5,366,481 A * 11/1994 Zade A61J 17/008
606/234
5,578,058 A * 11/1996 Chen A61J 17/008
606/234
D397,216 S * 8/1998 Armand D24/117
6,066,162 A * 5/2000 Hudson A61J 17/008
606/234
6,161,710 A 12/2000 Dieringer et al.
9,271,900 B2 3/2016 Badger et al.
2002/0087191 A1 7/2002 Huang
2003/0032984 A1 2/2003 Hakim

2003/0208234 A1 * 11/2003 Thornton A61J 17/001
606/234
2004/0088005 A1 * 5/2004 Boyd A61J 11/00
606/234
2008/0046011 A1 2/2008 Brown
2008/0210655 A1 9/2008 Rees et al.
2009/0108009 A1 4/2009 Yeung
2009/0248074 A1 10/2009 Kliegman et al.
2011/0160769 A1 6/2011 Tesini et al.
(Continued)

OTHER PUBLICATIONS

“PishPoshBlog—All New Doddle Pop Pacifier.” Found online Aug. 1, 2018 at site.pishposhbaby.com. Page dated Aug. 7, 2015. Retrieved from URL: <http://site.pishposhbaby.com/blog/2015/08/07/all-new-doddle-pop-pacifier/> (Year: 2015).*

(Continued)

Primary Examiner — Garth Rademaker
Assistant Examiner — Katelin G Kloberg
(74) *Attorney, Agent, or Firm* — Middleton Reutlinger

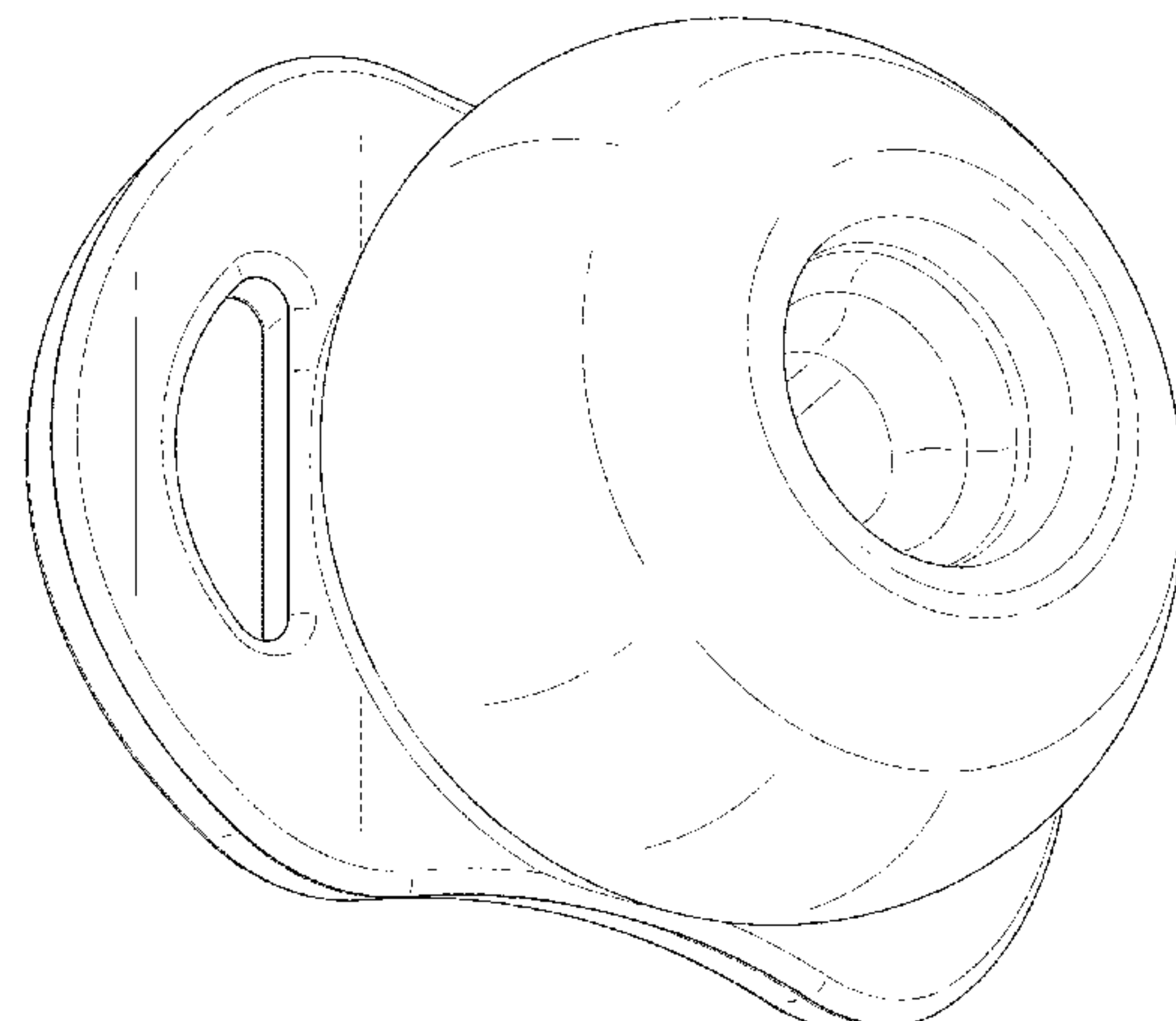
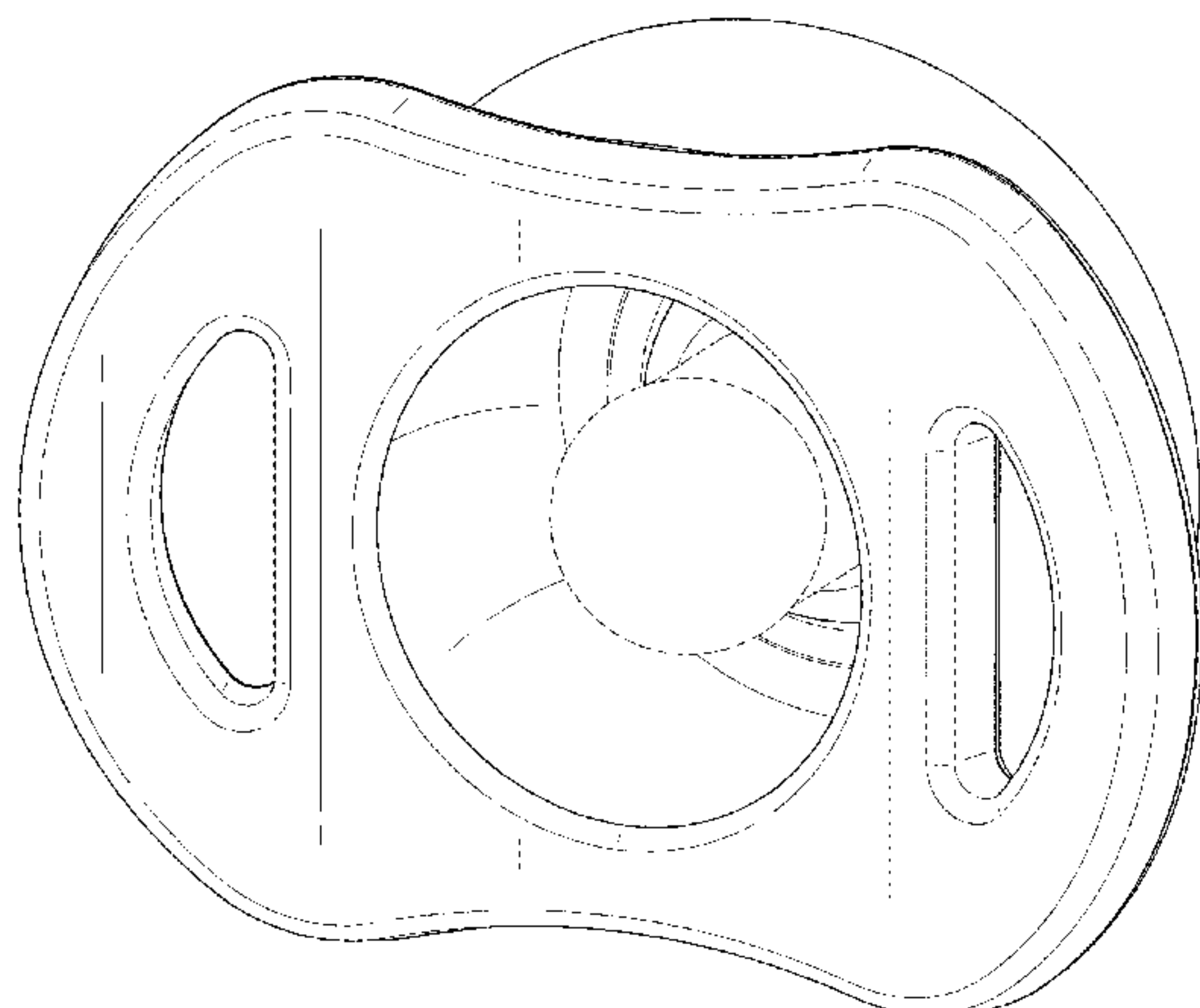
(57) **CLAIM**

The ornamental design for a hygienic pacifier, as shown and described.

DESCRIPTION

FIG. 1 is a top, front perspective view of a hygienic pacifier, showing our new design;
FIG. 2 is a bottom rear isometric view thereof.
FIG. 3 is a front elevational view thereof.
FIG. 4 is a rear elevational view thereof.
FIG. 5 is a top plan view thereof, the bottom plan view being a mirror image thereof; and,
FIG. 6 is a left side elevational view thereof, the right side elevational view being a mirror image thereof.
The nipple portion shown in broken dash lines in FIGS. 1 and 3 forms no part of the claimed design.

1 Claim, 6 Drawing Sheets



(56)

References Cited

U.S. PATENT DOCUMENTS

2012/0265245 A1 10/2012 Yamashita
2012/0283774 A1 11/2012 Cudworth et al.
2013/0331887 A1 12/2013 Subramanian
2014/0257387 A1* 9/2014 Saxton A61J 17/008
606/236
2016/0175202 A1 6/2016 Badger et al.
2017/0333294 A1* 11/2017 Brown A61J 17/008

OTHER PUBLICATIONS

“Kickstarter—Doddle Pop—The Clean Pacifier.” Found online Aug. 2, 2018 at [ww.kickstarter.com](http://www.kickstarter.com). Project launched Oct. 17, 2015. Retrieved from URL: <https://www.kickstarter.com/projects/104061129/doddle-pop-the-clean-pacifier/updates> (Year: 2015).*
“Archive—Doddle and Co.” Found online Aug. 2, 2018 at doddleandco.com. Page archived Apr. 26, 2016. Retrieved from URL: <https://>

web.archive.org/web/20160426114156/https://doddleandco.com/ (Year: 2016).*

“Doodle and Co The Pop Pacifier.” Found online Aug. 2, 2018 at www.amazon.com. Product reviewed Apr. 3, 2017. Retrieved from URL: <https://www.amazon.com/Doddle-Co-Pop-Cleaner-Pacifier/dp/B06XKJKJTJ?th=1> (Year: 2017).*

U.S. Patent and Trademark Office, Office Action issued in related U.S. Appl. No. 13/956,232 dated May 7, 2015.

U.S. Patent and Trademark Office, Notice of Allowance issued in related U.S. Appl. No. 13/956,232 dated Oct. 28, 2015.

PCT International Search Report and Written Opinion for PCT/US16/57221 dated Jan. 13, 2017.

U.S. Patent and Trademark Office, Office Action issued in related U.S. Appl. No. 15/056,507 dated Dec. 18, 2016.

U.S. Patent and Trademark Office, Notice of Allowance issued in related U.S. Appl. No. 15/056,507 dated May 15, 2018.

* cited by examiner

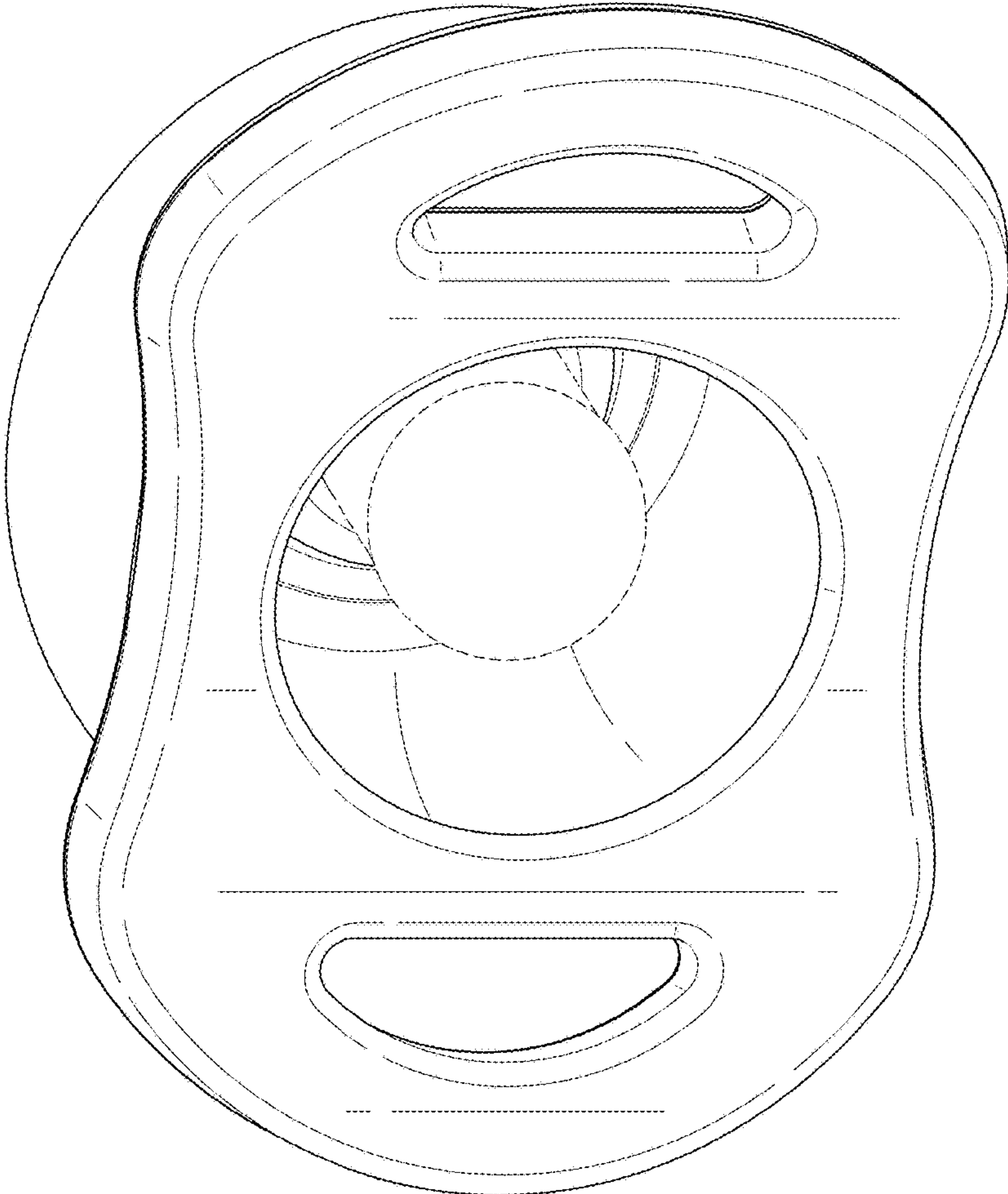


FIG. 1

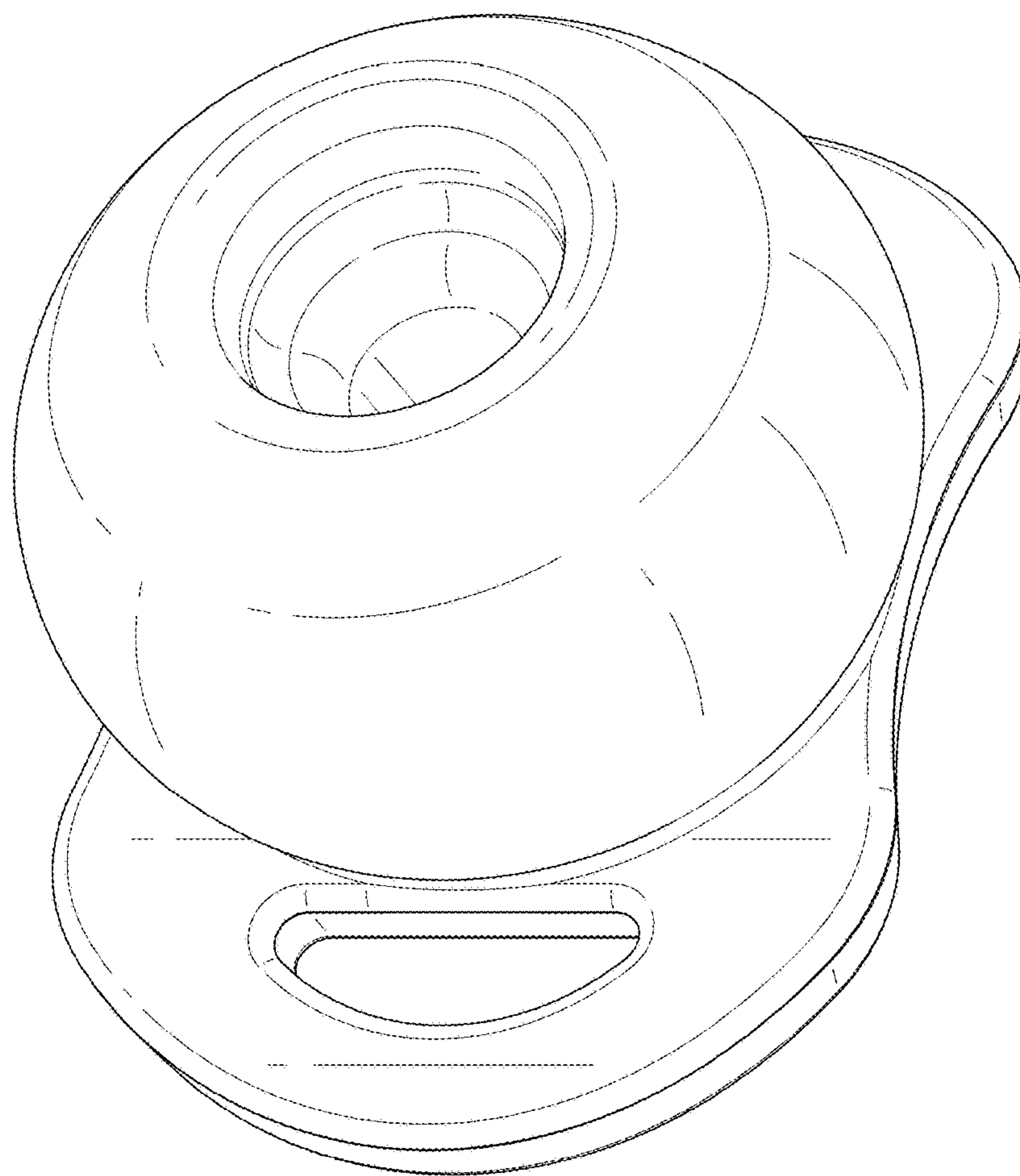


FIG. 2

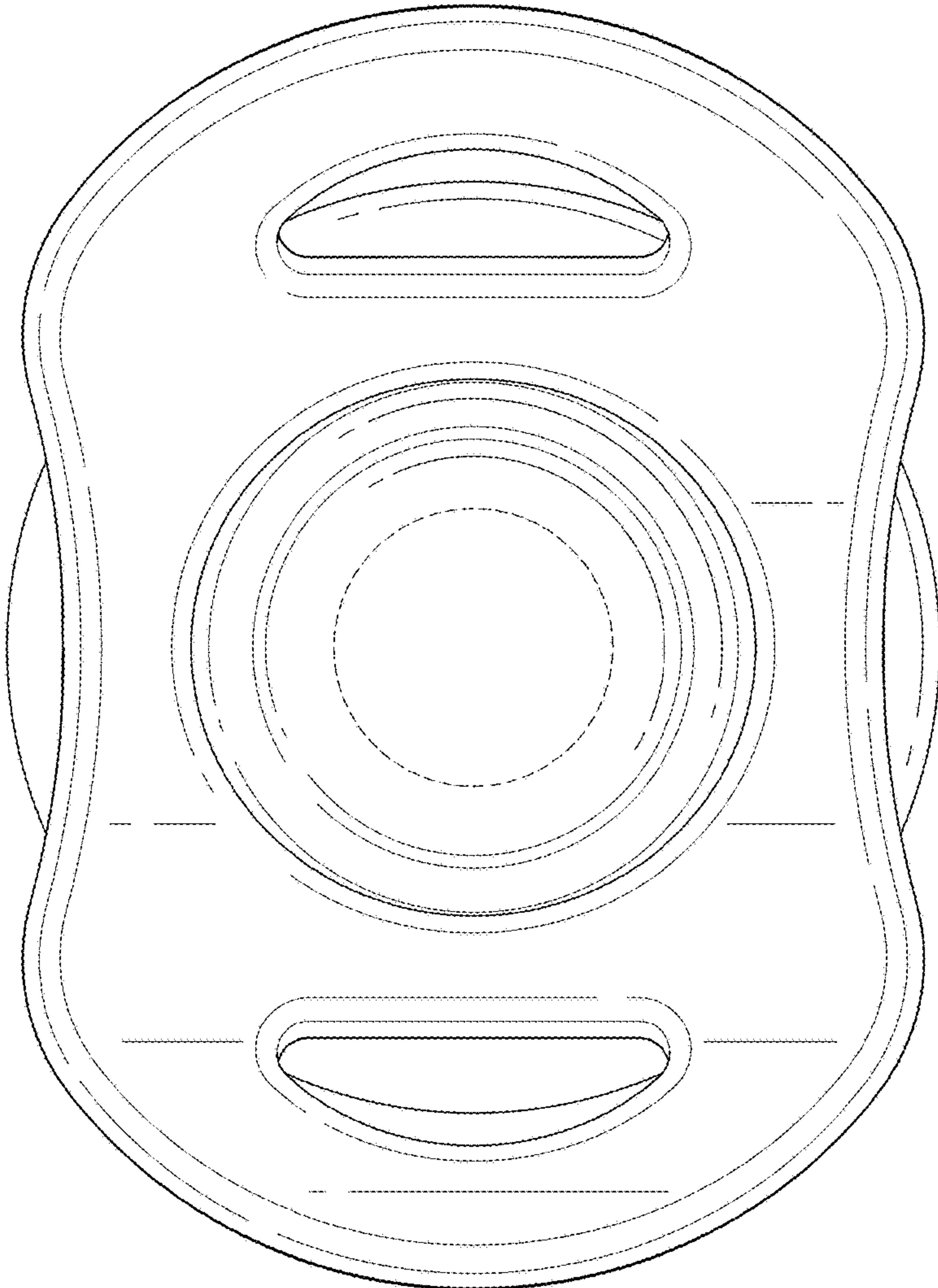


FIG. 3

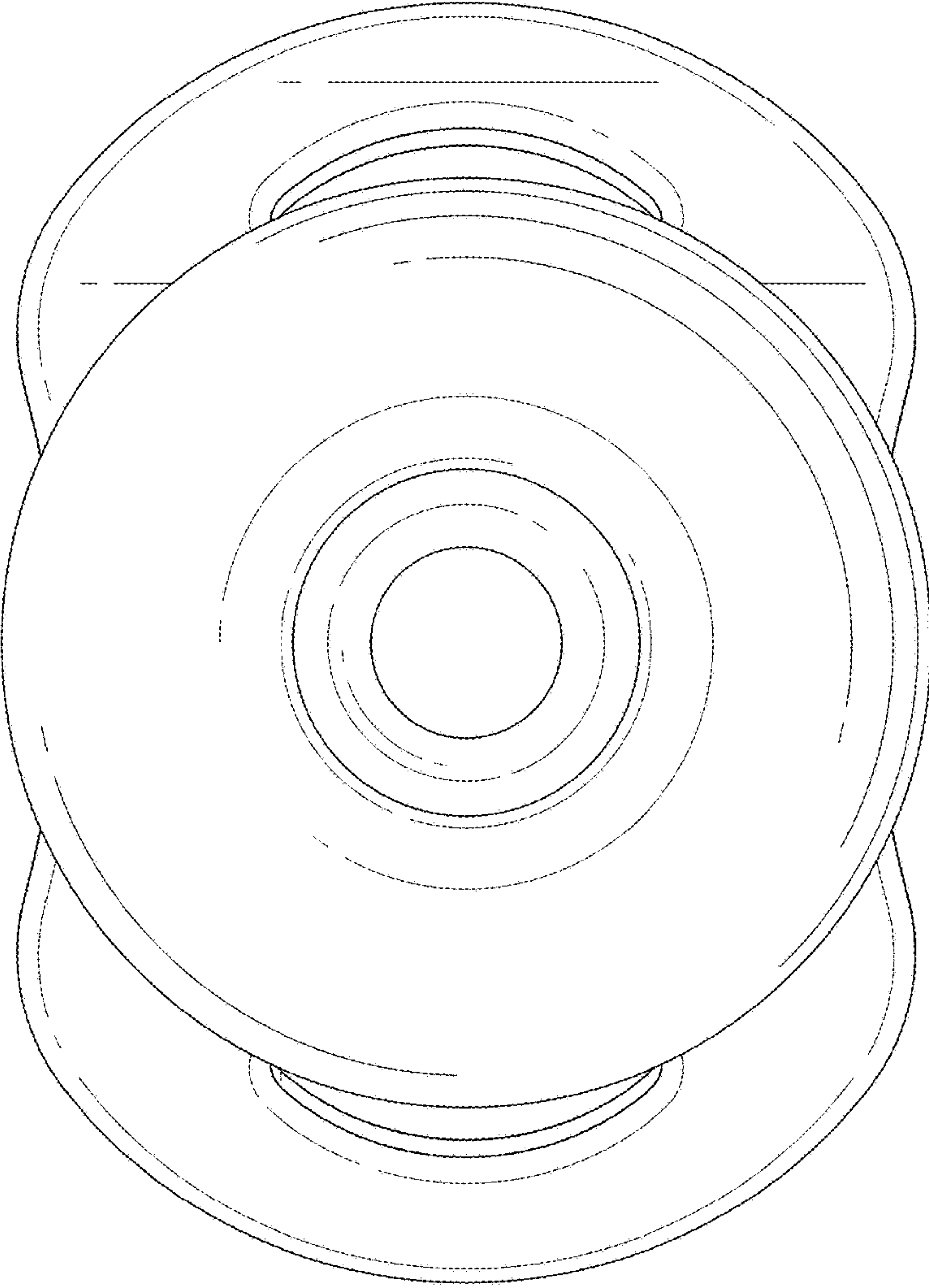


FIG. 4

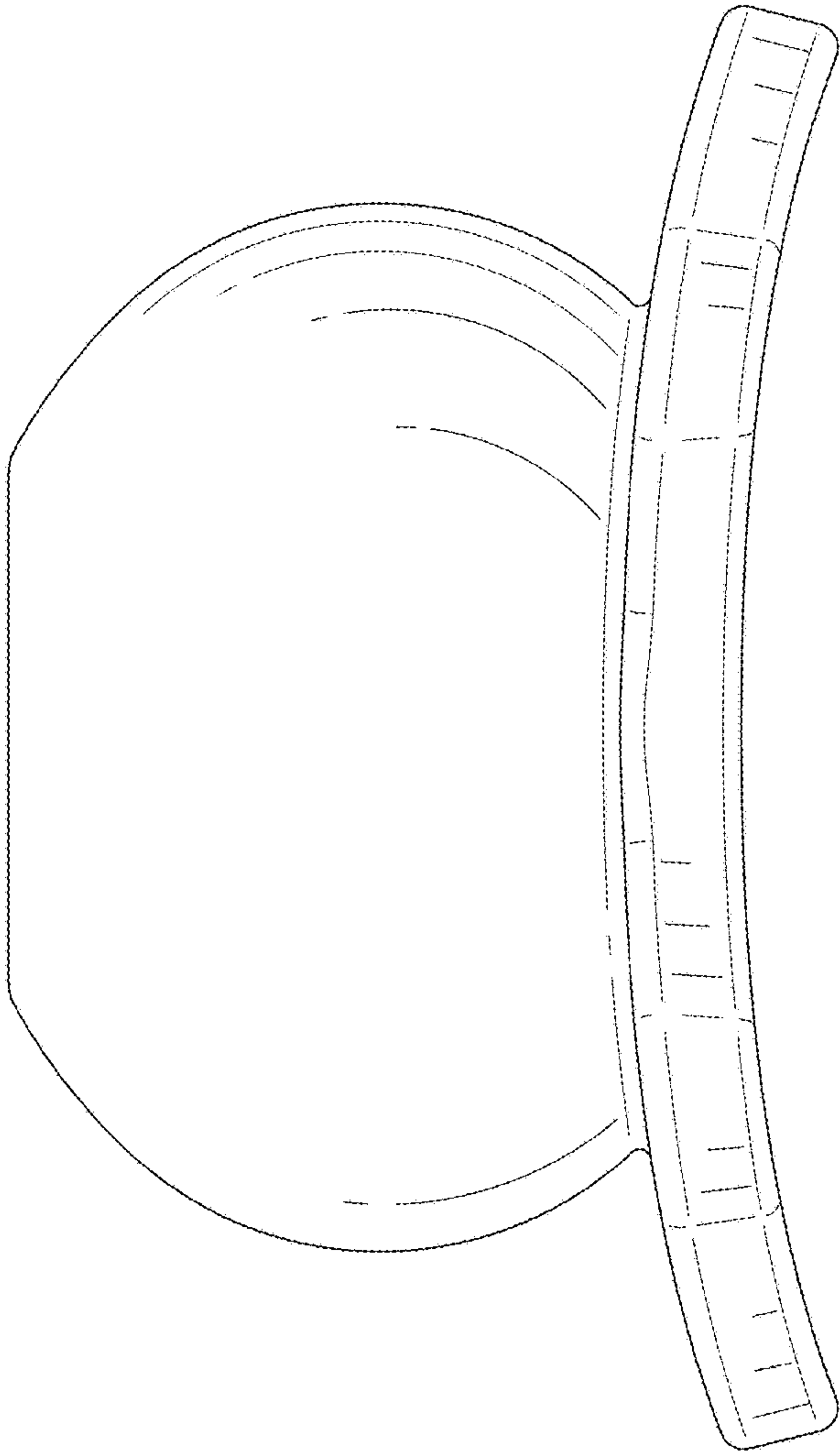


FIG. 5

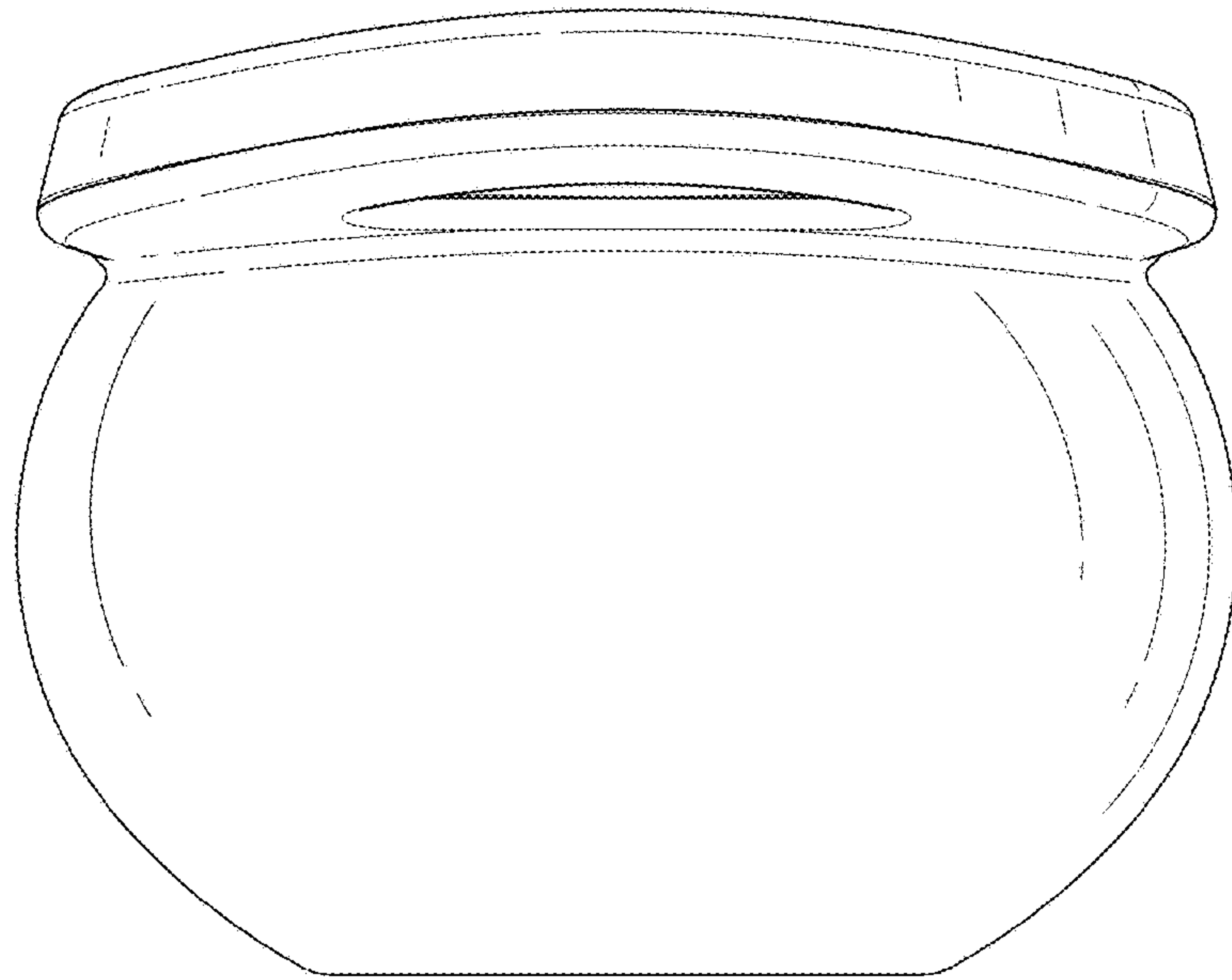


FIG. 6