



US00D849957S

(12) **United States Design Patent** (10) **Patent No.:** **US D849,957 S**  
**Fuster** (45) **Date of Patent:** **\*\* May 28, 2019**

(54) **MESSAGE TABLE**

2200/54; A61G 5/006; A61G 5/1094;  
A61G 5/125; A61G 7/05723; A61G 7/16;  
A61G 99/00

(71) Applicant: **LPG SYSTEMS**, Valence (FR)

See application file for complete search history.

(72) Inventor: **Arnaud Fuster**, Beaumont-les-Valence (FR)

(56) **References Cited**

(\*\*) Term: **15 Years**

U.S. PATENT DOCUMENTS

(21) Appl. No.: **35/501,710**

3,281,141 A \* 10/1966 Smiley ..... A61G 13/00  
5/614  
D434,151 S \* 11/2000 Fanuzzi ..... D24/183  
D583,953 S \* 12/2008 Genelli ..... D24/183  
D636,493 S \* 4/2011 Teufel ..... D24/183

(22) Filed: **Sep. 28, 2016**

(80) **Hague Agreement Data**

Int. Filing Date: **Sep. 28, 2016**  
Int. Reg. No.: **DM/092800**  
Int. Reg. Date: **Sep. 28, 2016**  
Int. Reg. Pub. Date: **Oct. 14, 2016**

\* cited by examiner

*Primary Examiner* — Eliza Z Bennett-Hattan

(30) **Foreign Application Priority Data**

Apr. 1, 2016 (EM) ..... 1448872-0001

(51) **LOC (11) Cl.** ..... **24-02**

(52) **U.S. Cl.**  
USPC ..... **D24/183**

(58) **Field of Classification Search**

USPC ..... D24/183; D6/716.7  
CPC .. A61G 13/009; A61G 13/105; A61G 13/121;  
A61G 13/12; A61G 13/122; A61G  
2200/325; A61G 13/06; A61G 2200/12;  
A61G 13/1235; A61G 15/125; A61G  
2210/90; A61G 7/012; A61G 13/108;  
A61G 13/1205; A61G 13/125; A61G  
13/1255; A61G 13/1285; A61G 15/007;  
A61G 15/02; A61G 2200/32; A61G

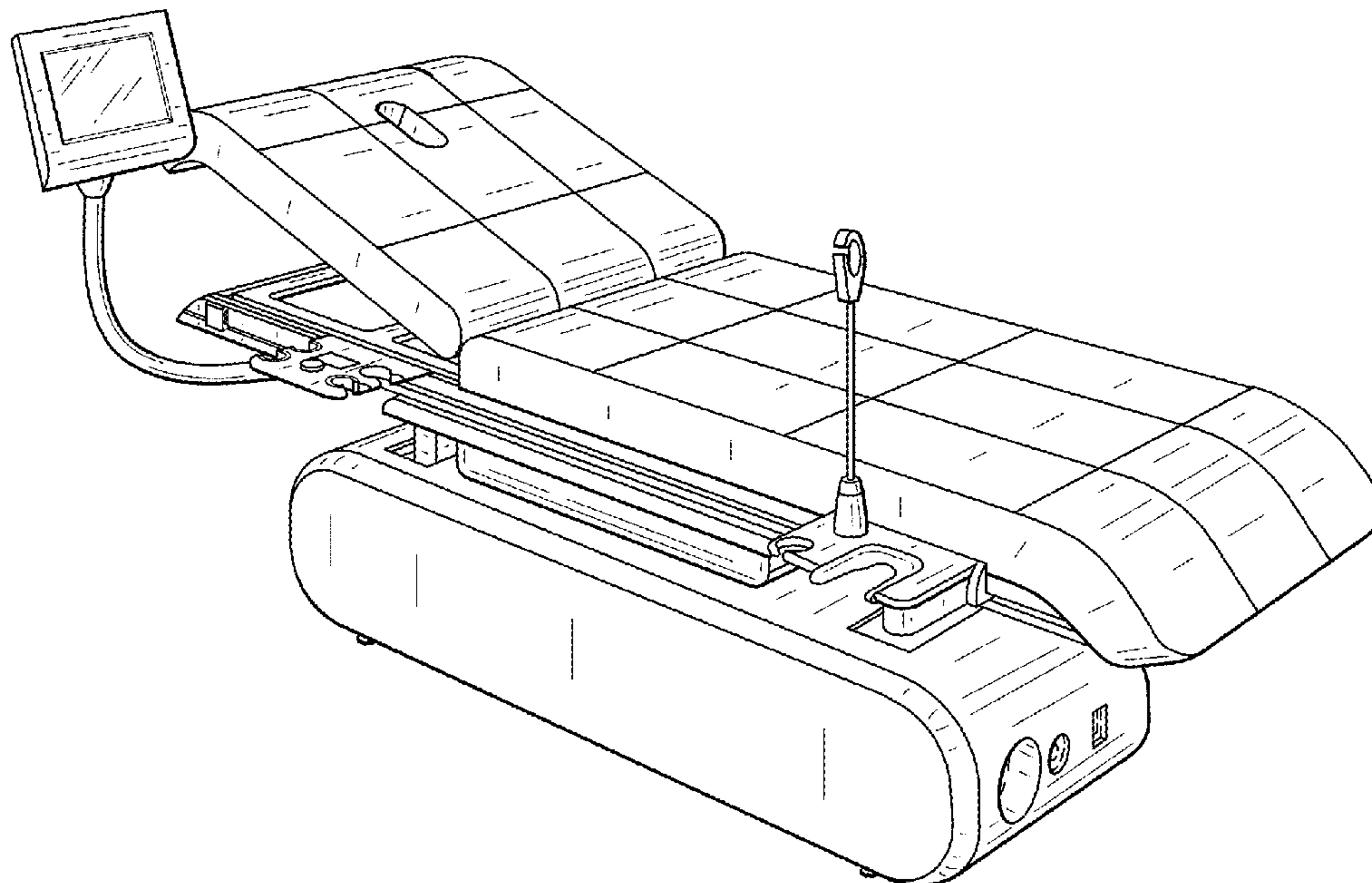
(57) **CLAIM**

The ornamental design for a massage table, as shown and described.

**DESCRIPTION**

Fig. 1.1 is a front perspective view of a massage table showing my new design;  
Fig. 1.2 is a rear perspective view thereof;  
Fig. 1.3 is a front view thereof;  
Fig. 1.4 is rear view thereof;  
Fig. 1.5 is right side view thereof;  
Fig. 1.6 is left side view thereof; and  
Fig. 1.7 is a top plan view thereof.  
The broken lines depict unclaimed portions of the massage table and form no part of the claimed design.

**1 Claim, 7 Drawing Sheets**



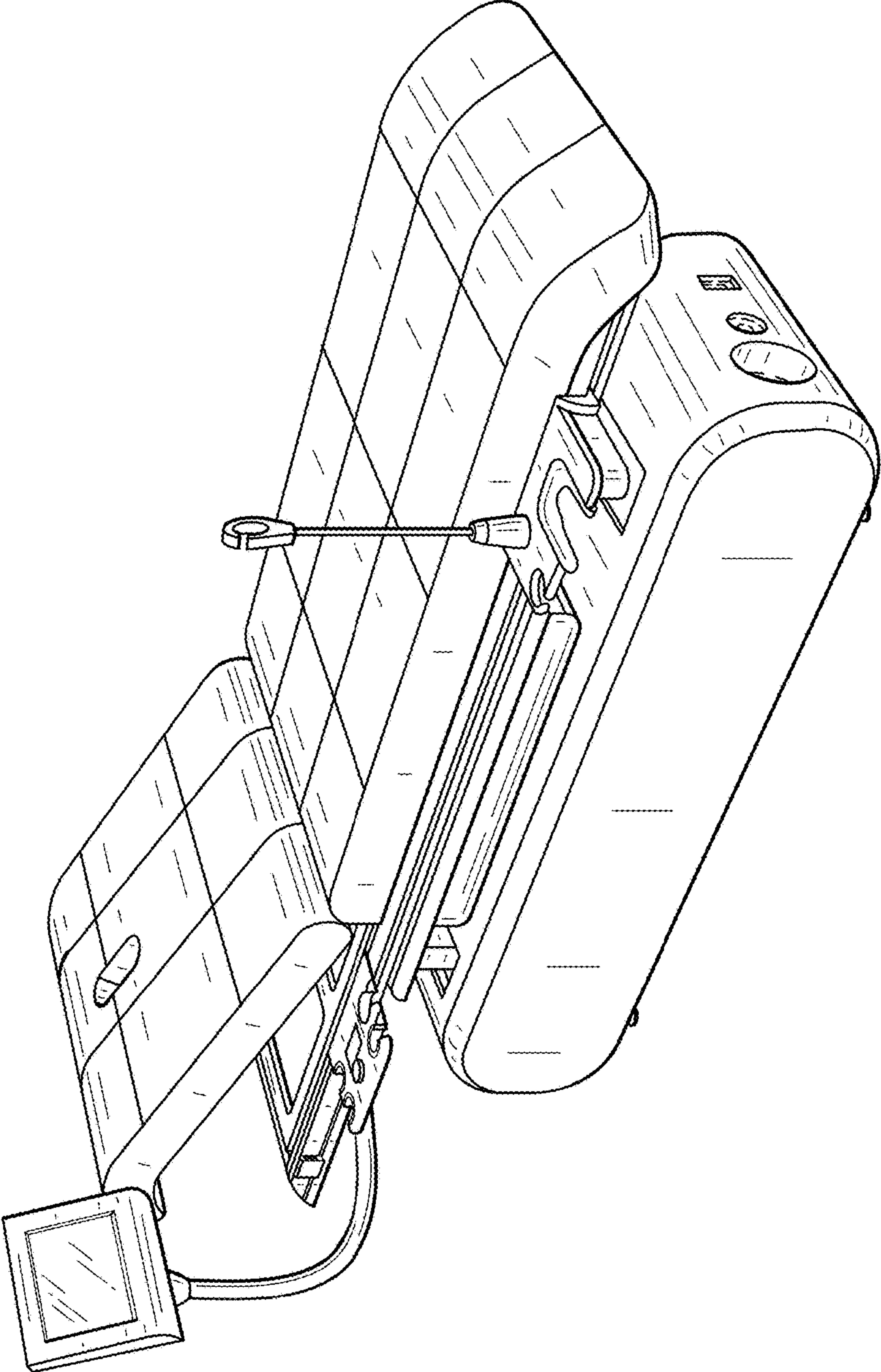


FIG. 1.1

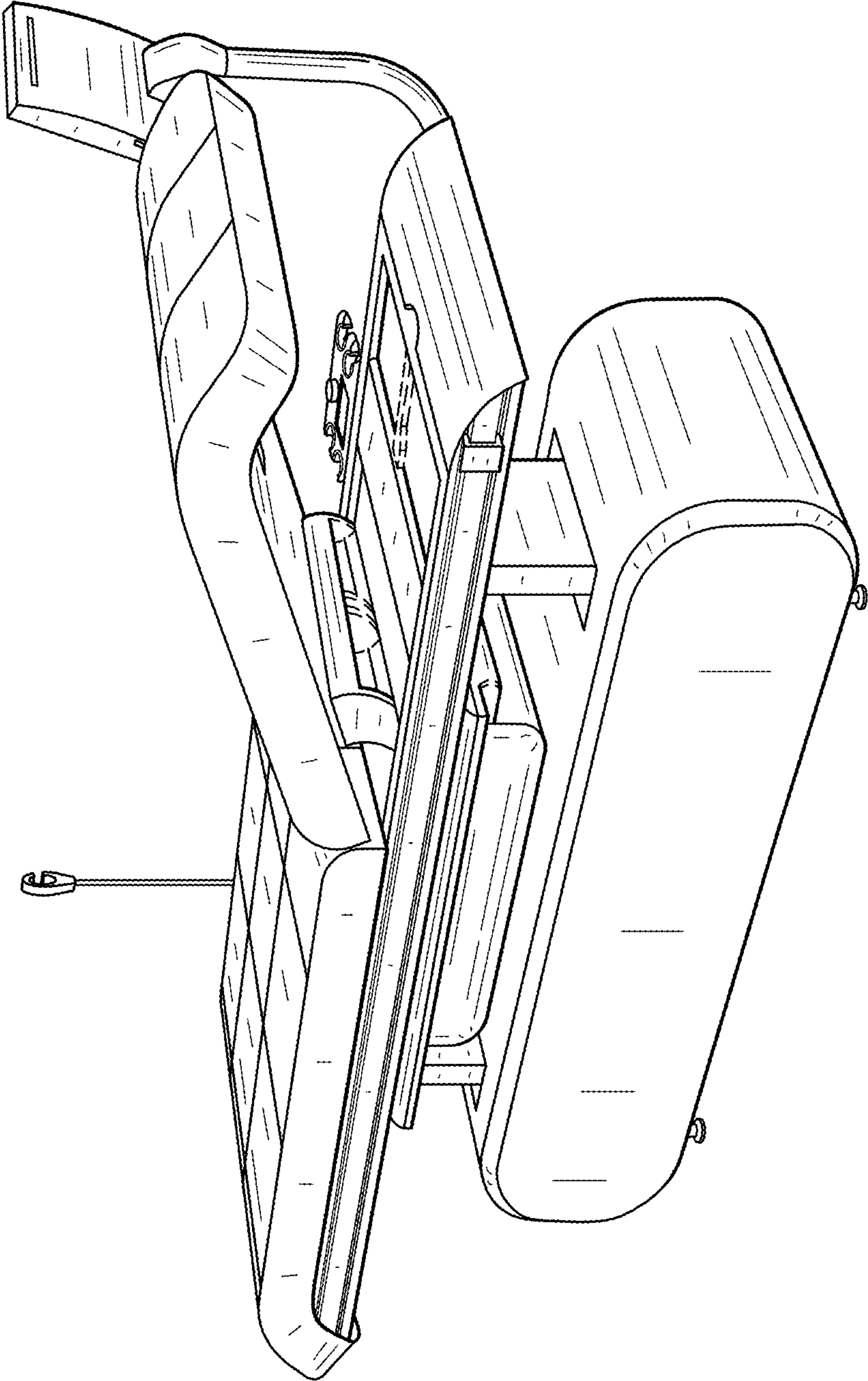


FIG. 1.2

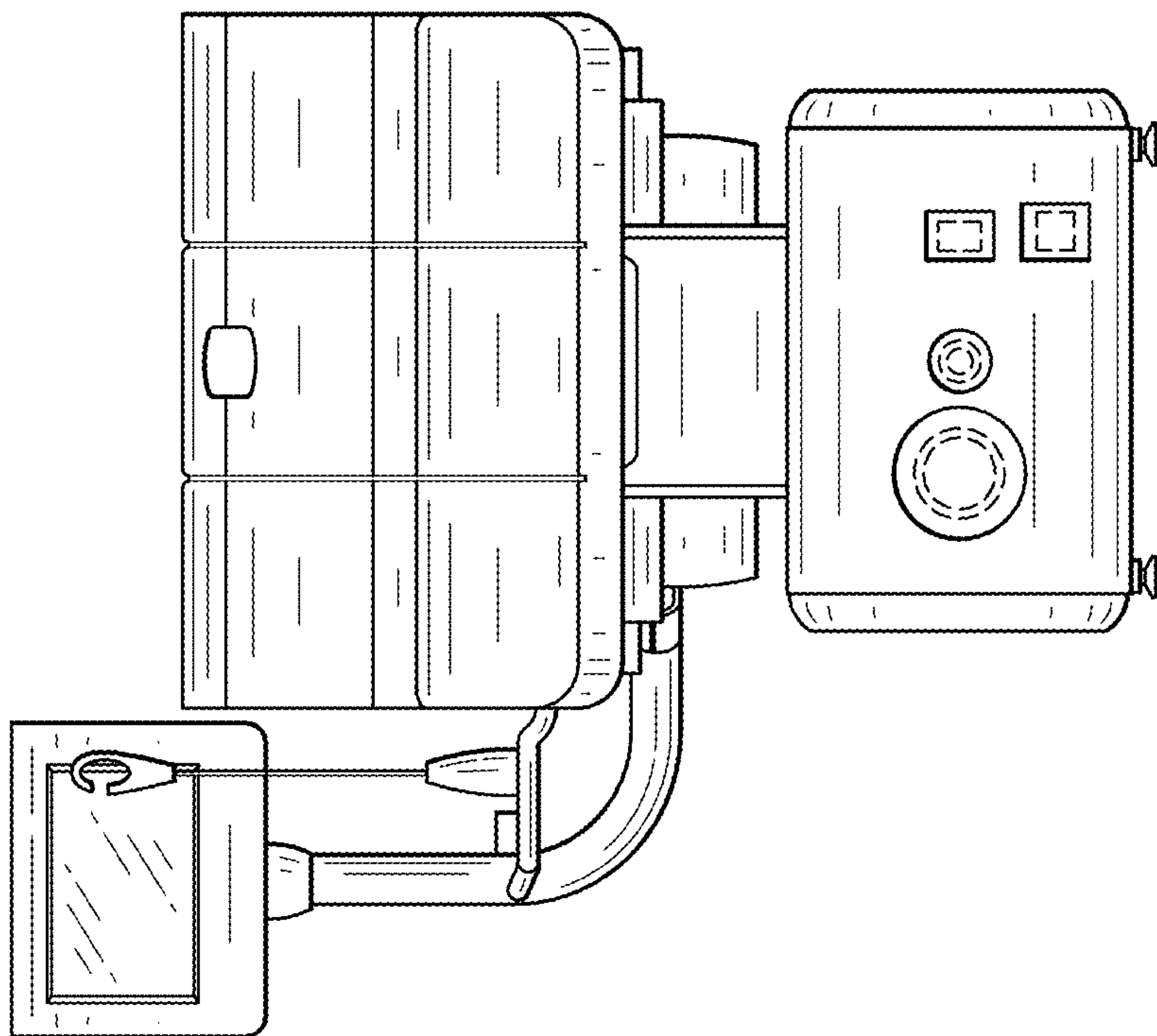


FIG. 1.3



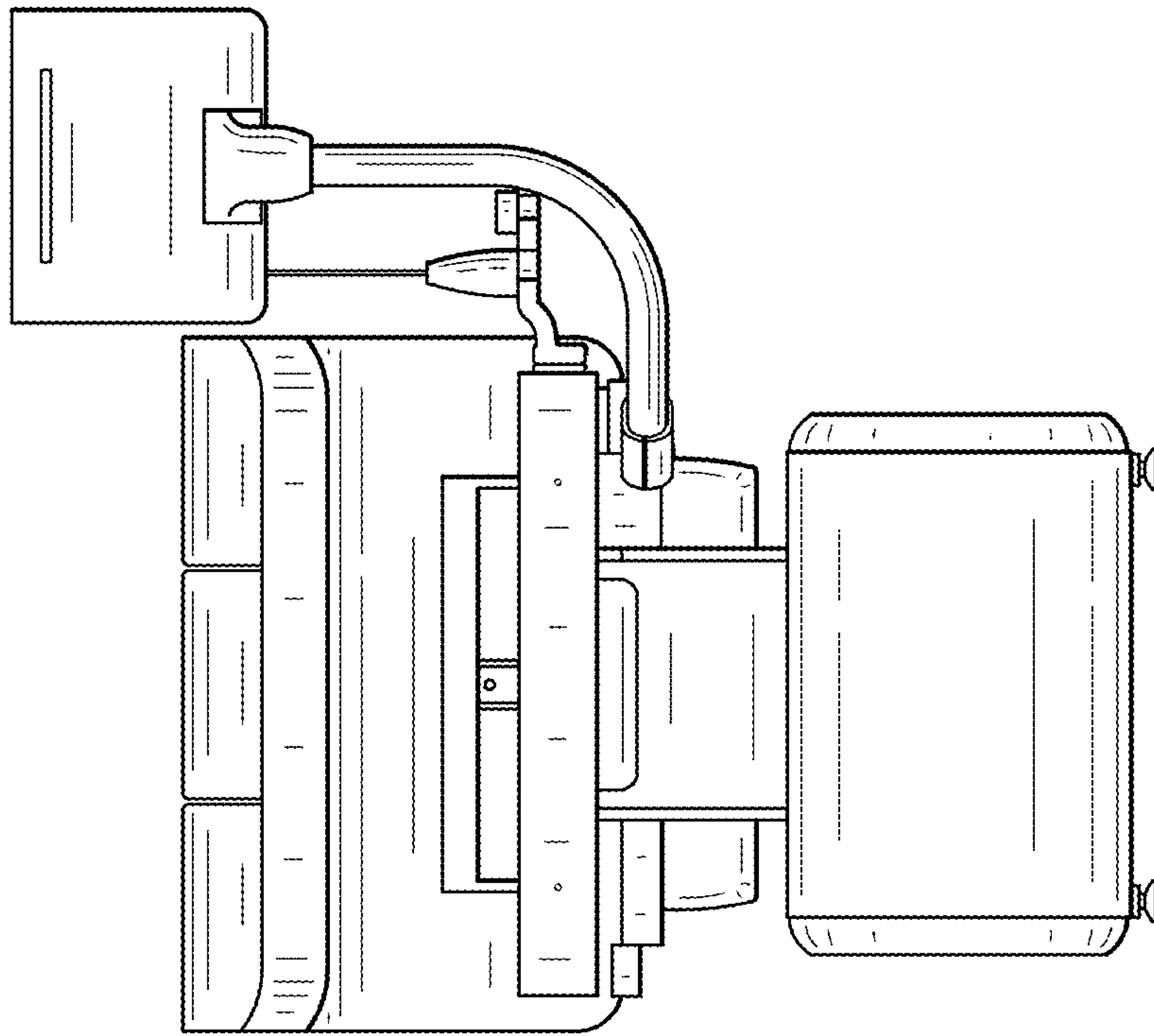


FIG. 1.4

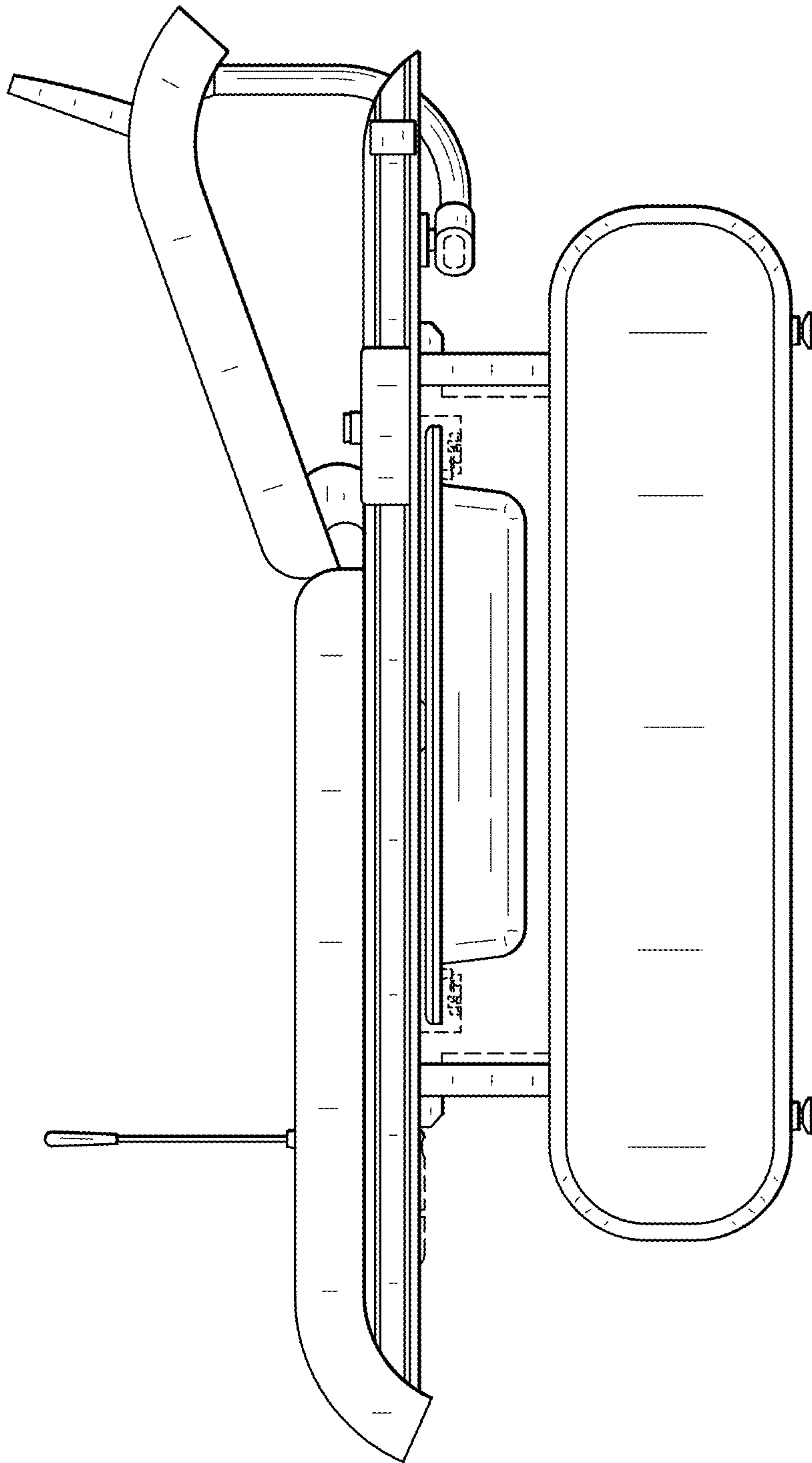


FIG. 1.5

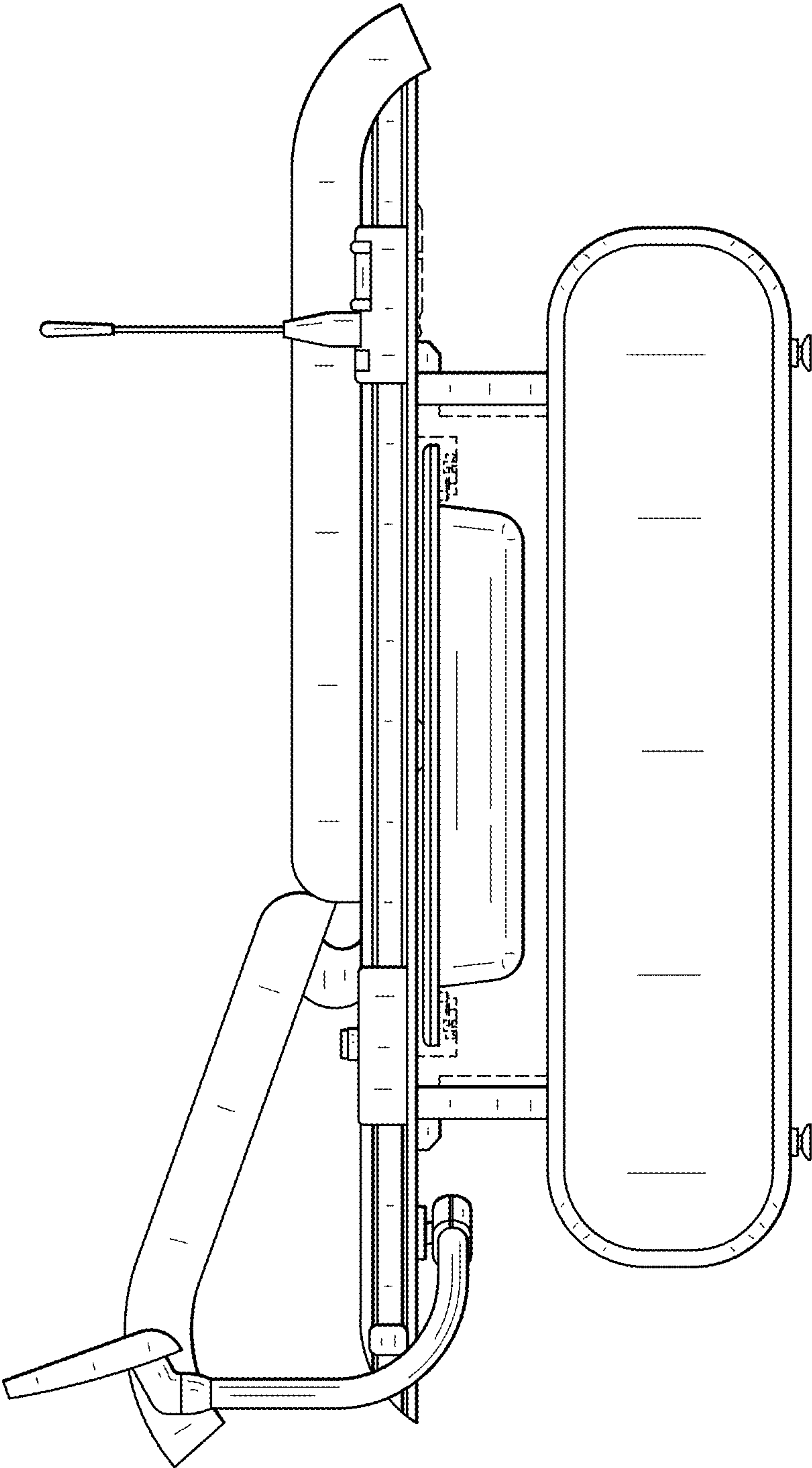


FIG. 1.6

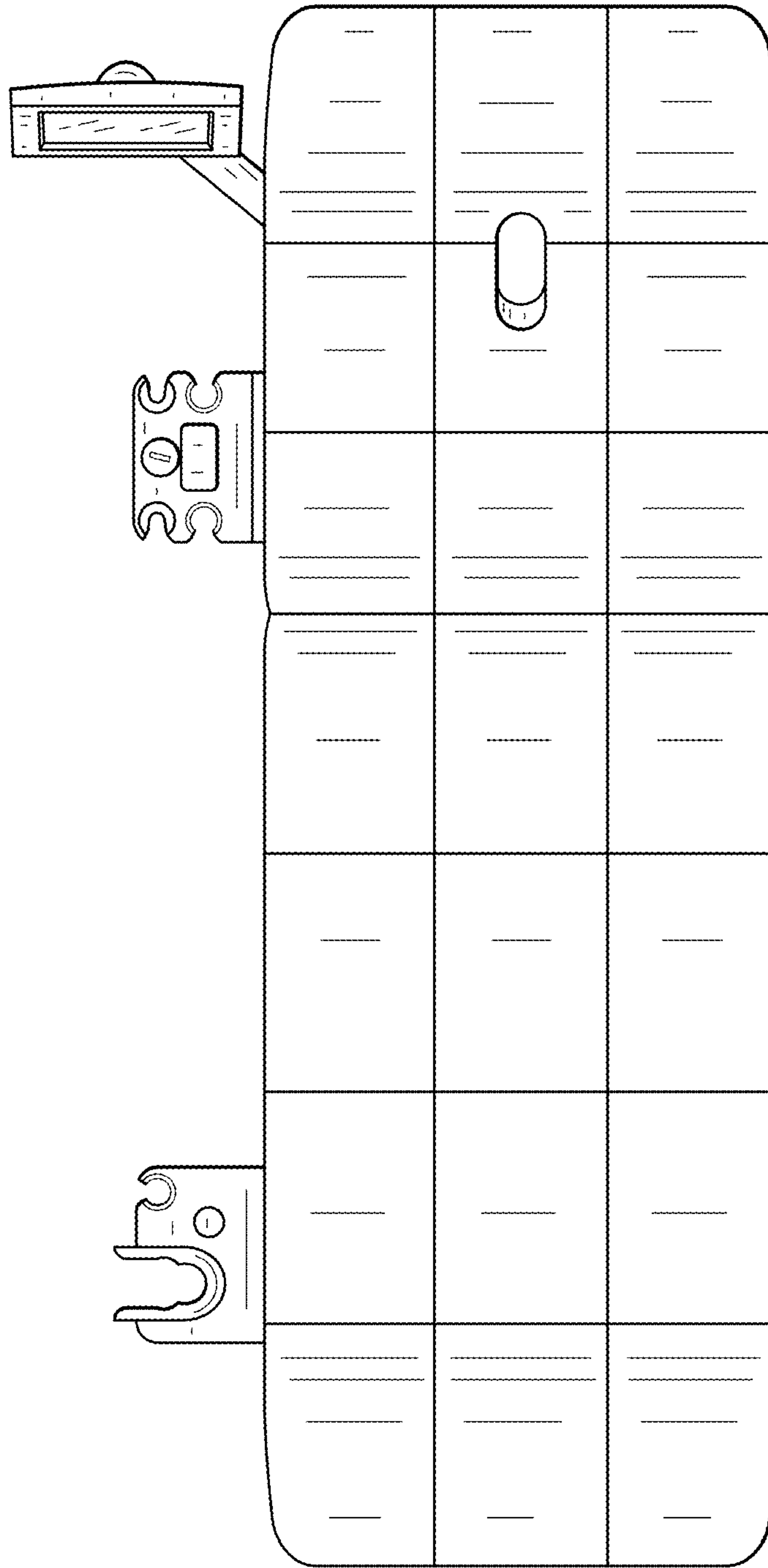


FIG. 1.7