



US00D849954S

(12) **United States Design Patent** (10) **Patent No.:** **US D849,954 S**
Russell et al. (45) **Date of Patent:** **** May 28, 2019**

(54) **BRACKET FOR A SOUND PROCESSOR AND A COIL**

(71) Applicant: **Cochlear Limited**, Macquarie University, NSW (AU)

(72) Inventors: **Peter John Russell**, Regentville (AU); **David Harte**, Erskineville (AU)

(73) Assignee: **Cochlear Limited**, Macquarie University (AU)

(**) Term: **15 Years**

(21) Appl. No.: **29/609,879**

(22) Filed: **Jul. 6, 2017**

Related U.S. Application Data

(63) Continuation-in-part of application No. 29/517,606, filed on Feb. 13, 2015, now abandoned.

(51) **LOC (11) Cl.** **24-99**

(52) **U.S. Cl.**
USPC **D24/174**

(58) **Field of Classification Search**
USPC D24/173–175; D14/205, 223–226, 249, D14/188; D8/354, 349, 382
CPC .. H04R 2225/025; H04R 25/60; H04R 25/63; H04R 25/67; H04R 25/602; H04R 25/604; H04R 25/608; H04R 25/65; H04R 25/652
See application file for complete search history.

(56) **References Cited**

U.S. PATENT DOCUMENTS

D468,729 S 1/2003 Takayama et al.
6,731,770 B1 5/2004 Vonlanthen

D528,213 S 9/2006 Darley et al.
D635,961 S 4/2011 Gidden et al.
D663,715 S 7/2012 Glezerman et al.
D681,817 S * 5/2013 Marcher D24/174
D682,807 S 5/2013 Stevinson
D693,008 S 11/2013 Chan et al.
D712,043 S * 8/2014 Sliger D24/186
D729,212 S 5/2015 Adams et al.
D752,762 S * 3/2016 Perryman D24/186
D755,393 S * 5/2016 Amsler D24/167
D802,150 S * 11/2017 Lund D24/186
2006/0239483 A1 10/2006 Orts et al.
2008/0285782 A1 11/2008 Gommel
2014/0275736 A1 9/2014 Ruppertsberg et al.

* cited by examiner

Primary Examiner — Anhdao Doan

(74) *Attorney, Agent, or Firm* — Edell, Shapiro & Finnan, LLC

(57) **CLAIM**

The ornamental design for a bracket for a sound processor and a coil, as shown and described.

DESCRIPTION

FIG. 1 is a perspective view of a bracket for a sound processor and a coil of the present design;
FIG. 2 is a front view thereof;
FIG. 3 is a rear view thereof;
FIG. 4 is a left side view thereof;
FIG. 5 is a right side view thereof;
FIG. 6 is a top view thereof;
FIG. 7 is bottom view thereof; and,
FIG. 8 shows a perspective view of the bracket with a sound processor and a coil mounted on the bracket.
The broken lines in FIG. 8 represent environmental structures and form no part of the claimed design.

1 Claim, 6 Drawing Sheets

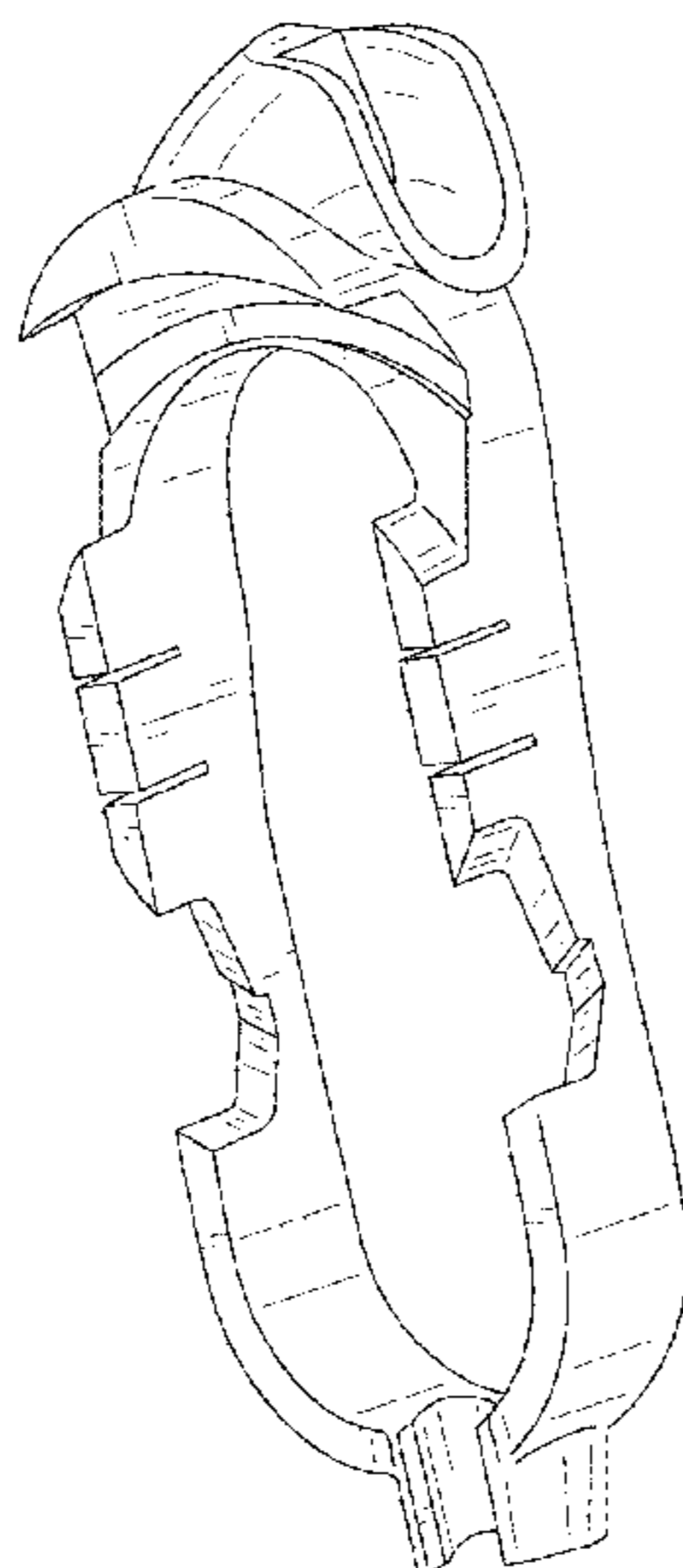


FIG. 1

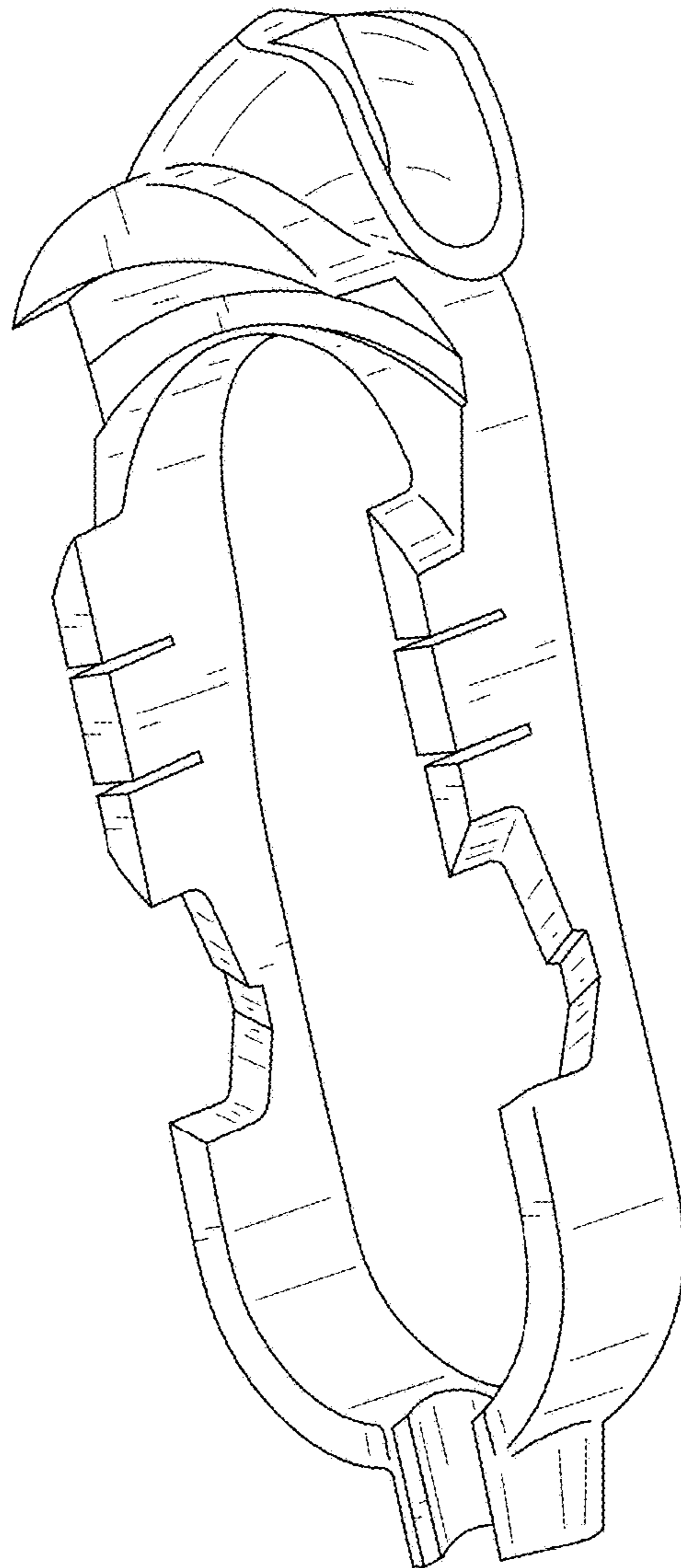


FIG. 2

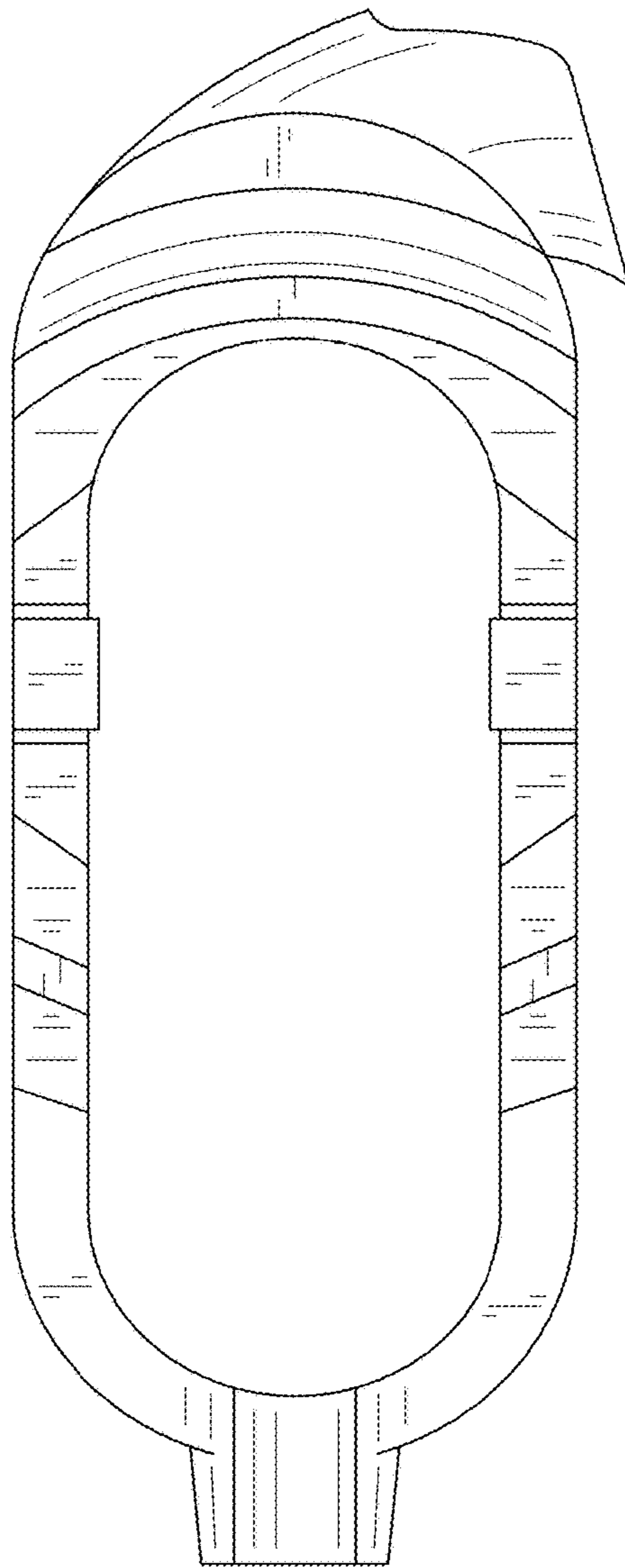


FIG. 3

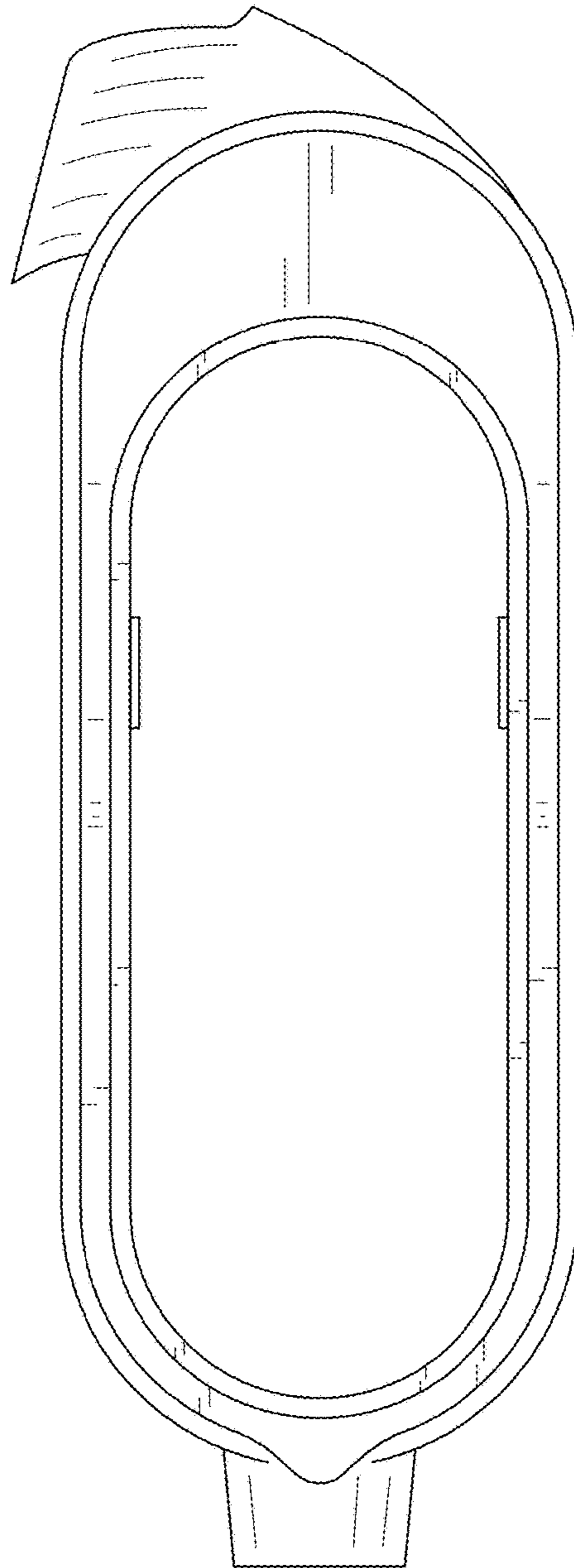


FIG. 4

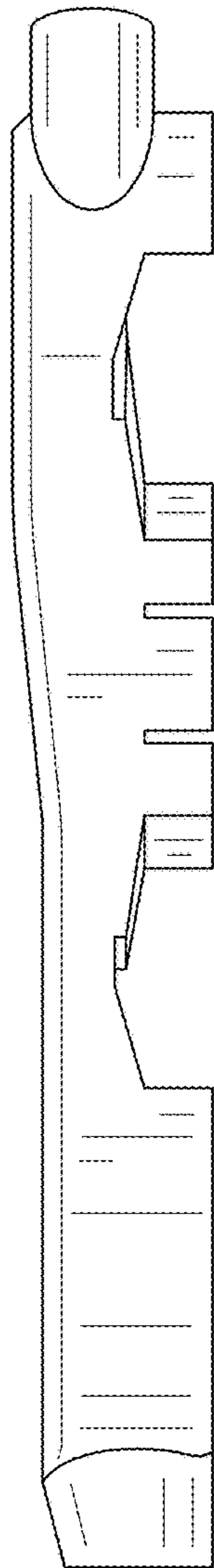


FIG. 5

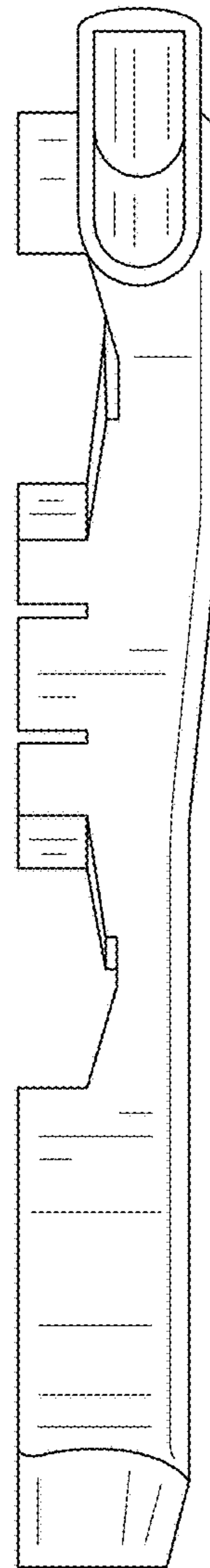


FIG. 6

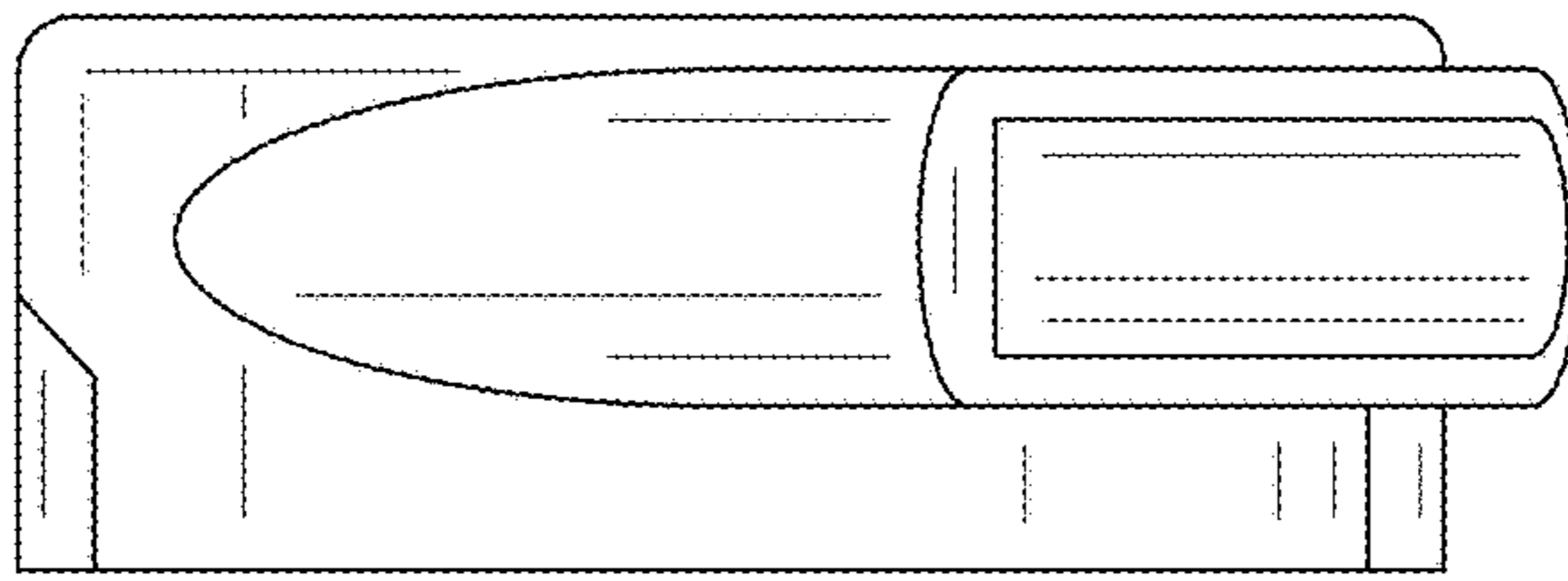


FIG. 7

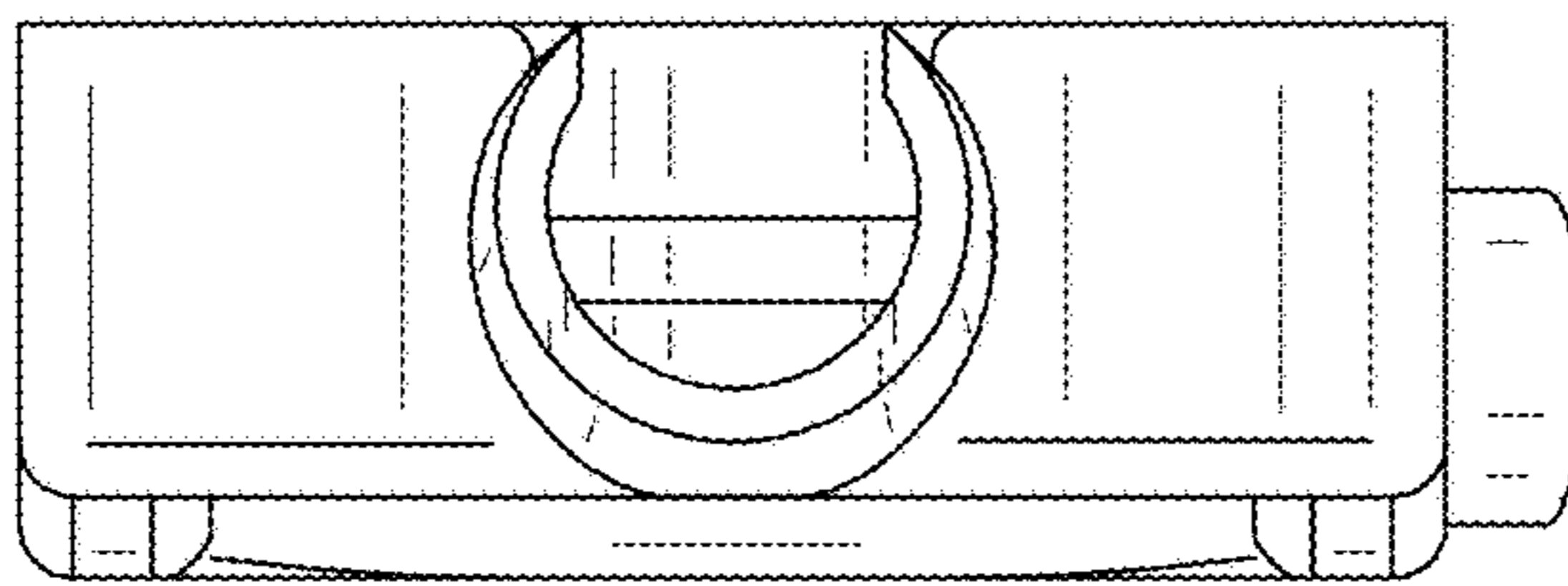


FIG. 8

