



US00D849952S

(12) **United States Design Patent** (10) **Patent No.:** **US D849,952 S**
Ferguson et al. (45) **Date of Patent:** **** May 28, 2019**

(54) **SET OF DEFIBRILLATOR PADDLES**

CPC A61N 1/046
See application file for complete search history.

(71) Applicant: **KONINKLIJKE PHILIPS N.V.**,
Eindhoven (NL)

(56) **References Cited**

(72) Inventors: **Joseph Ferguson**, Andover, MA (US);
James Robert Weston, North Reading,
MA (US); **Barbara Sears**
Weston-Sunstrom, Chelmsford, MA
(US); **Min Zhao**, Acton, MA (US); **Ri**
Nuan Ye, Shenzhen (CN)

U.S. PATENT DOCUMENTS

D244,154	S	*	4/1977	Smith	607/5
D249,064	S	*	8/1978	Smith	D24/168
D259,659	S	*	6/1981	Sears	D24/168
D262,488	S	*	12/1981	Rossman	D24/165
9,839,789	B2	*	12/2017	Kozin	A61N 1/3968
2014/0005737	A1	*	1/2014	Kozin	A61N 1/046 607/7

(73) Assignee: **KONINKLIJKE PHILIPS N.V.**,
Eindhoven (NL)

* cited by examiner

(**) Term: **15 Years**

Primary Examiner — Eliza Z Bennett-Hattan

(21) Appl. No.: **35/502,878**

(57) **CLAIM**

(22) Filed: **Oct. 25, 2016**

The ornamental design for a set of defibrillator paddles, as shown and described.

(80) **Hague Agreement Data**

DESCRIPTION

Int. Filing Date: **Oct. 25, 2016**
Int. Reg. No.: **DM/093187**
Int. Reg. Date: **Oct. 25, 2016**
Int. Reg. Pub. Date: **Apr. 28, 2017**

1.1 is a perspective view showing the set of defibrillator paddles of our design;
1.2 is a front elevational view thereof;
1.3 is a rear elevational view thereof;
1.4 is a left side elevational view thereof;
1.5 is a right side elevational view thereof;
1.6 is a top plan view thereof, and
1.7 is a bottom plan view thereof.

(30) **Foreign Application Priority Data**

May 4, 2016 (EM) 003109180-0001

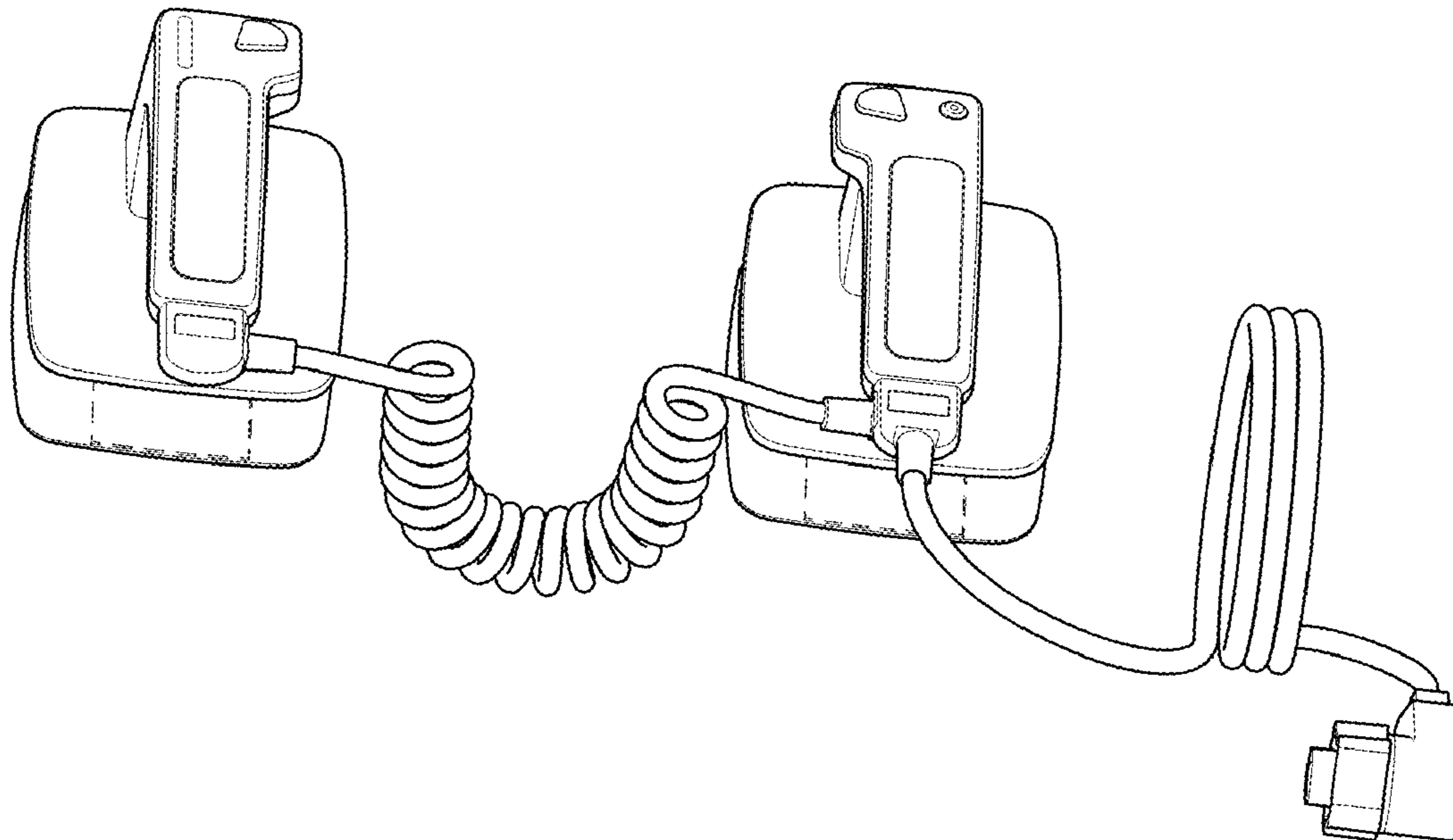
(51) **LOC (11) Cl.** **24-02**

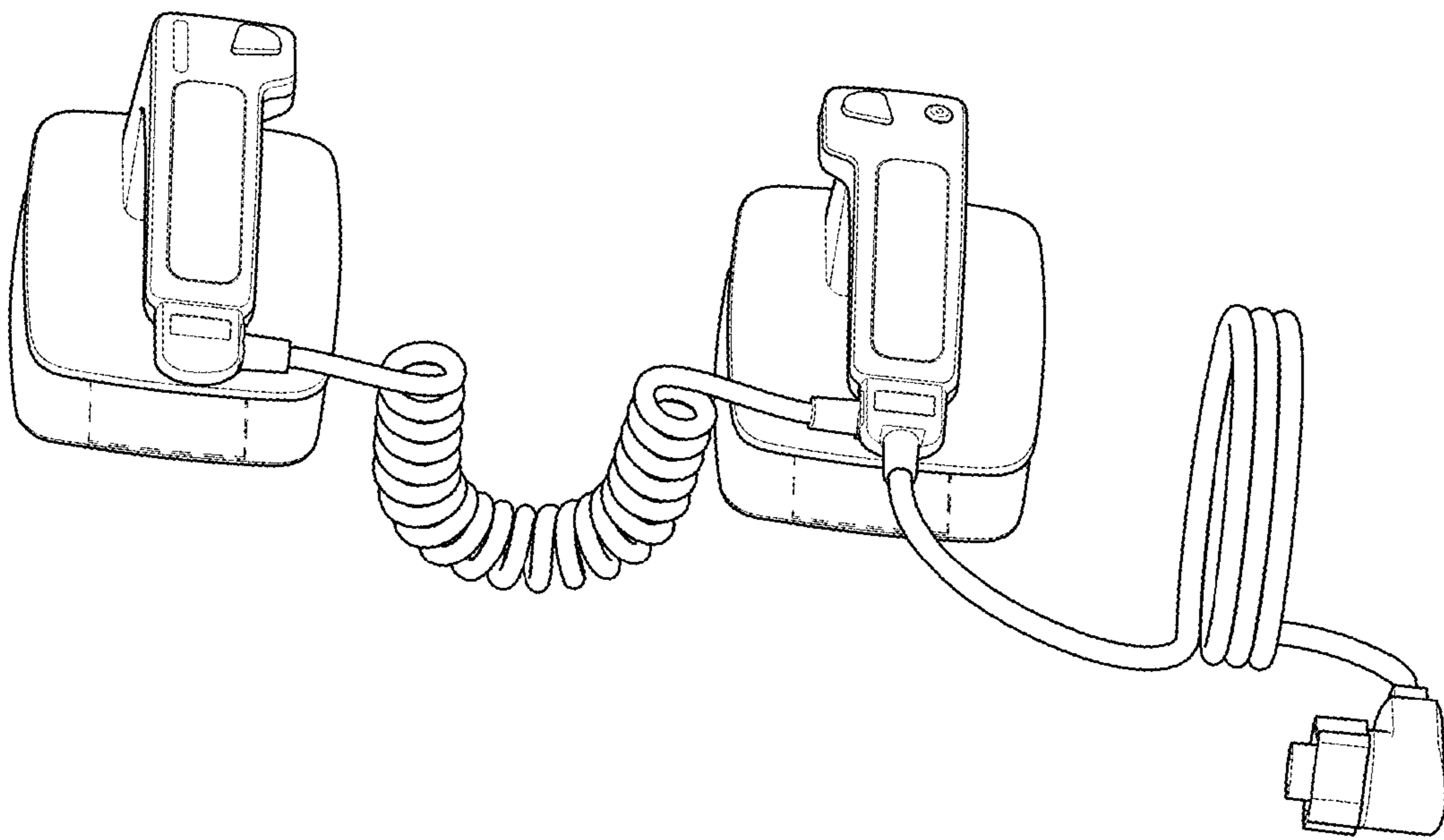
(52) **U.S. Cl.**
USPC **D24/168**

(58) **Field of Classification Search**
USPC D24/187, 168

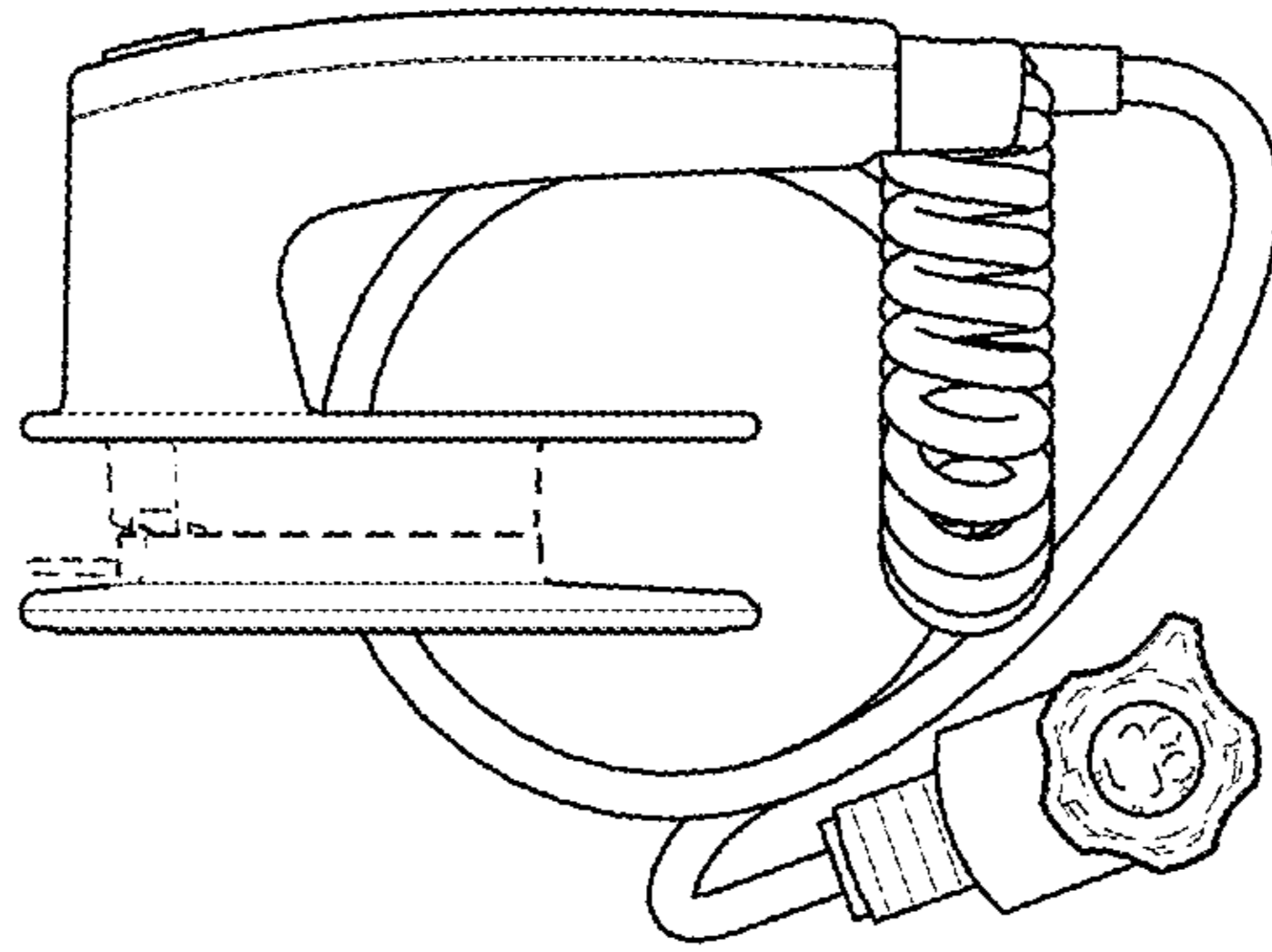
The portions of the set of defibrillator paddles shown in broken lines are included for the purpose of illustrating unclaimed portions of the set of defibrillator paddles and form no part of the claimed design.

1 Claim, 4 Drawing Sheets

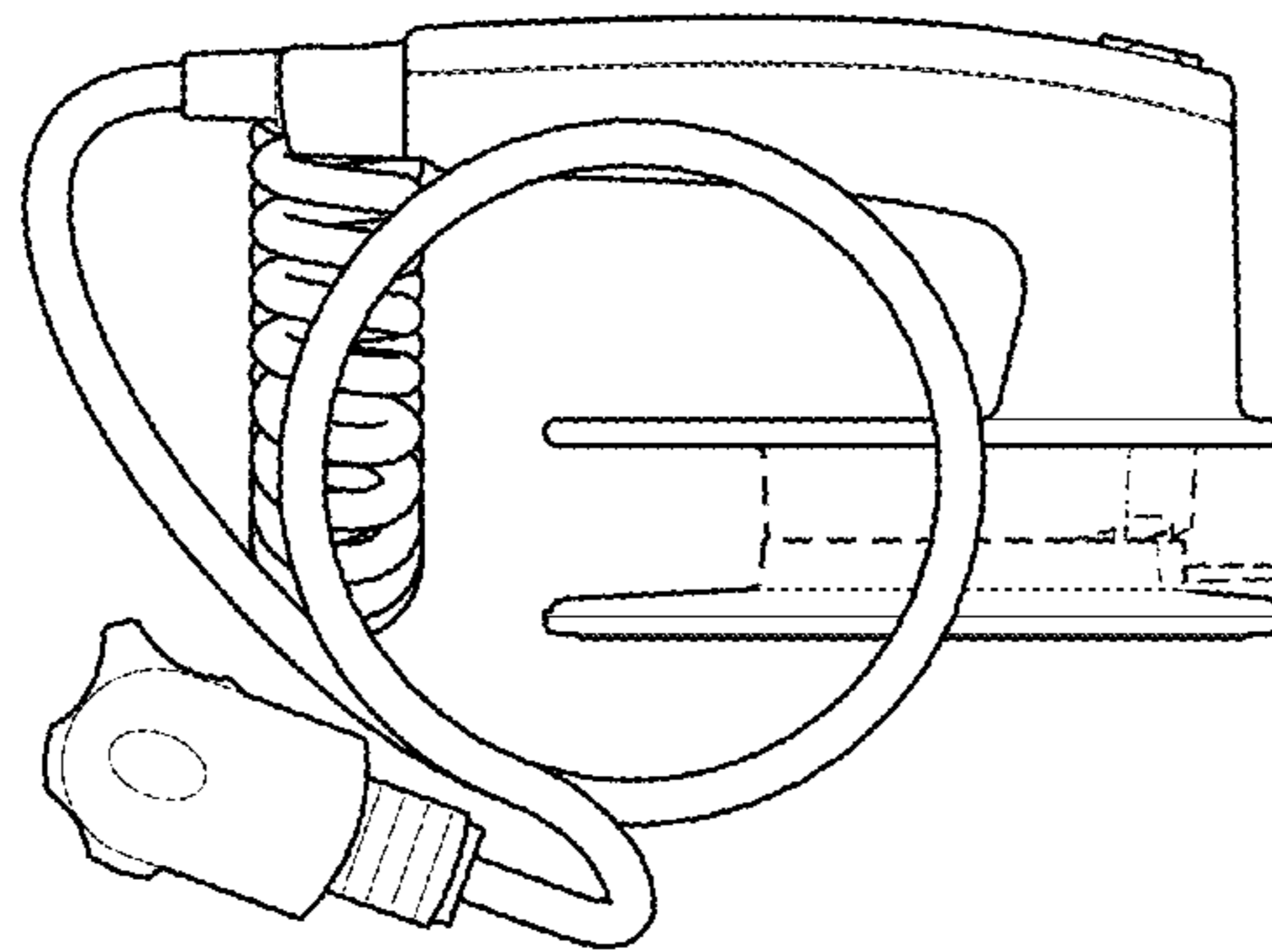




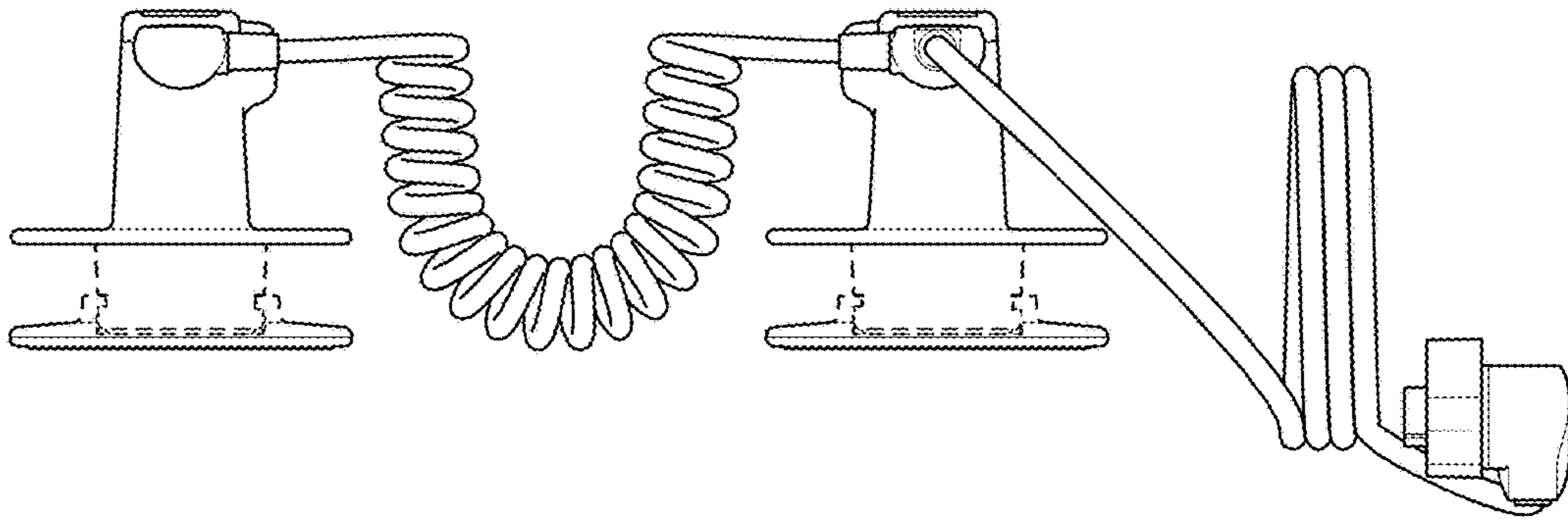
1.1



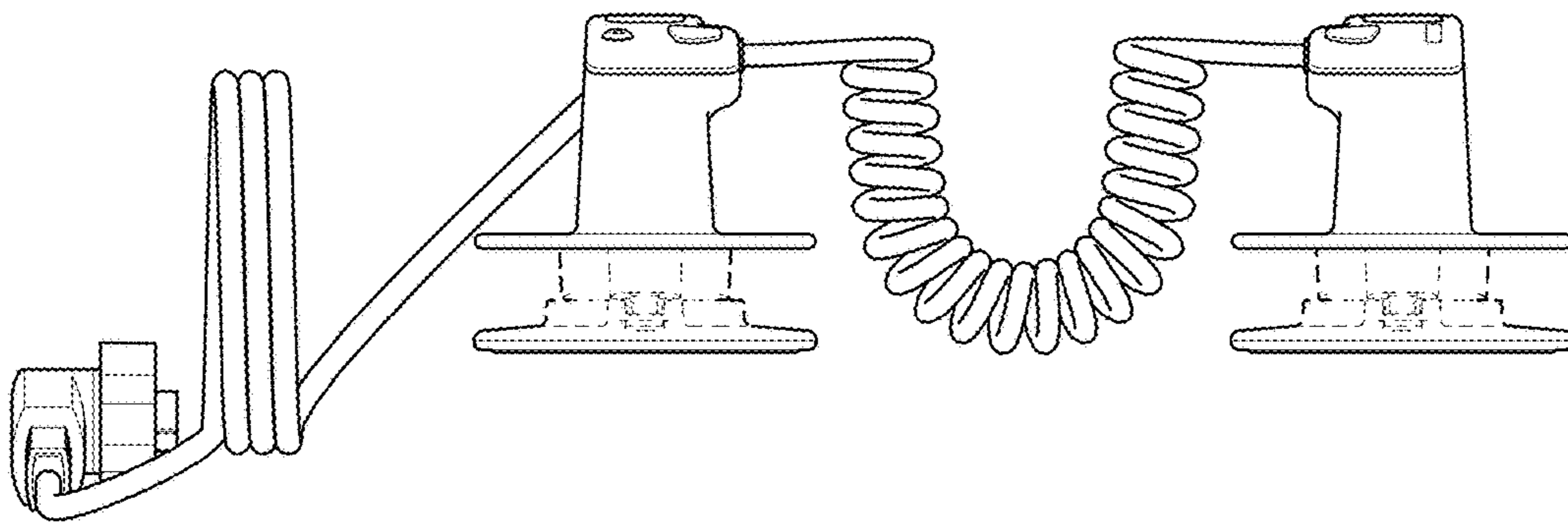
1.2



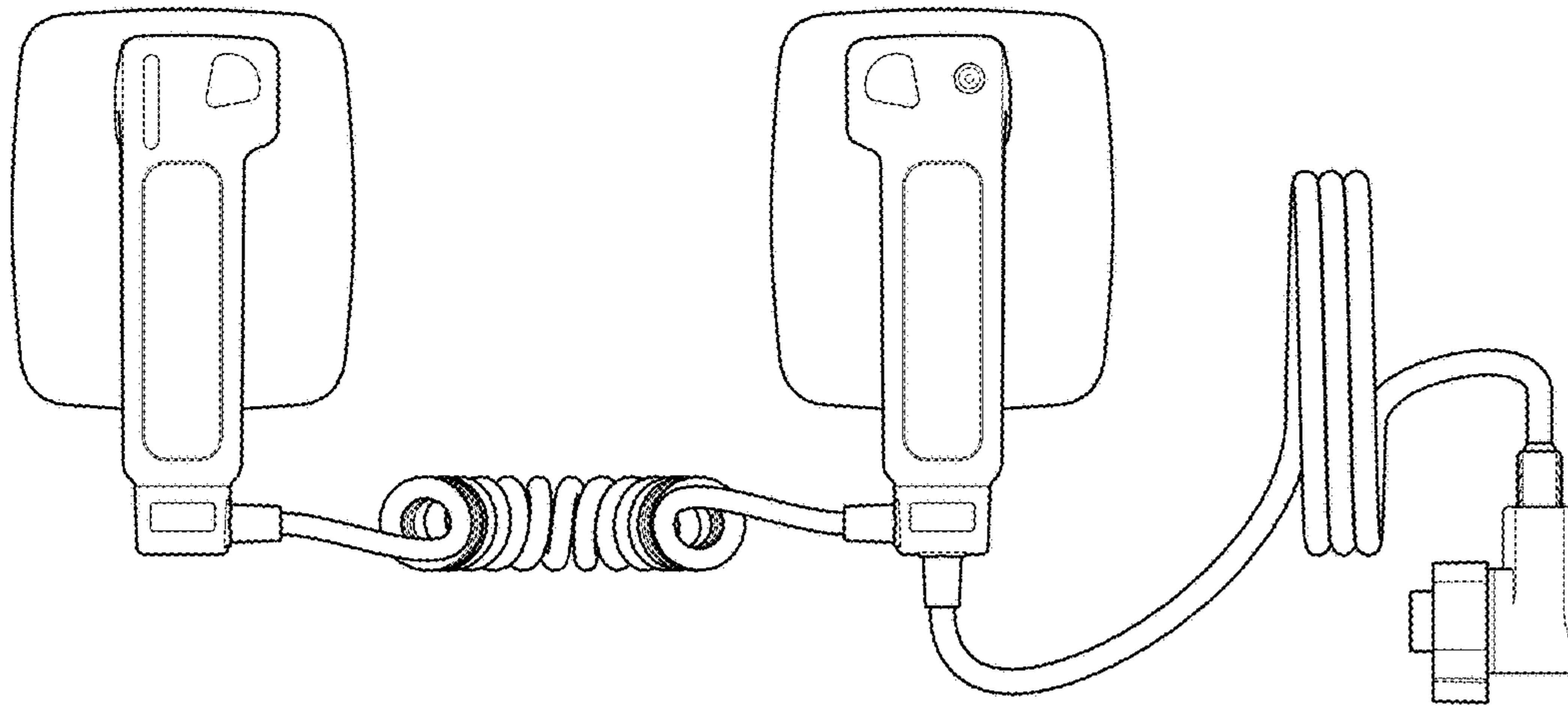
1.3



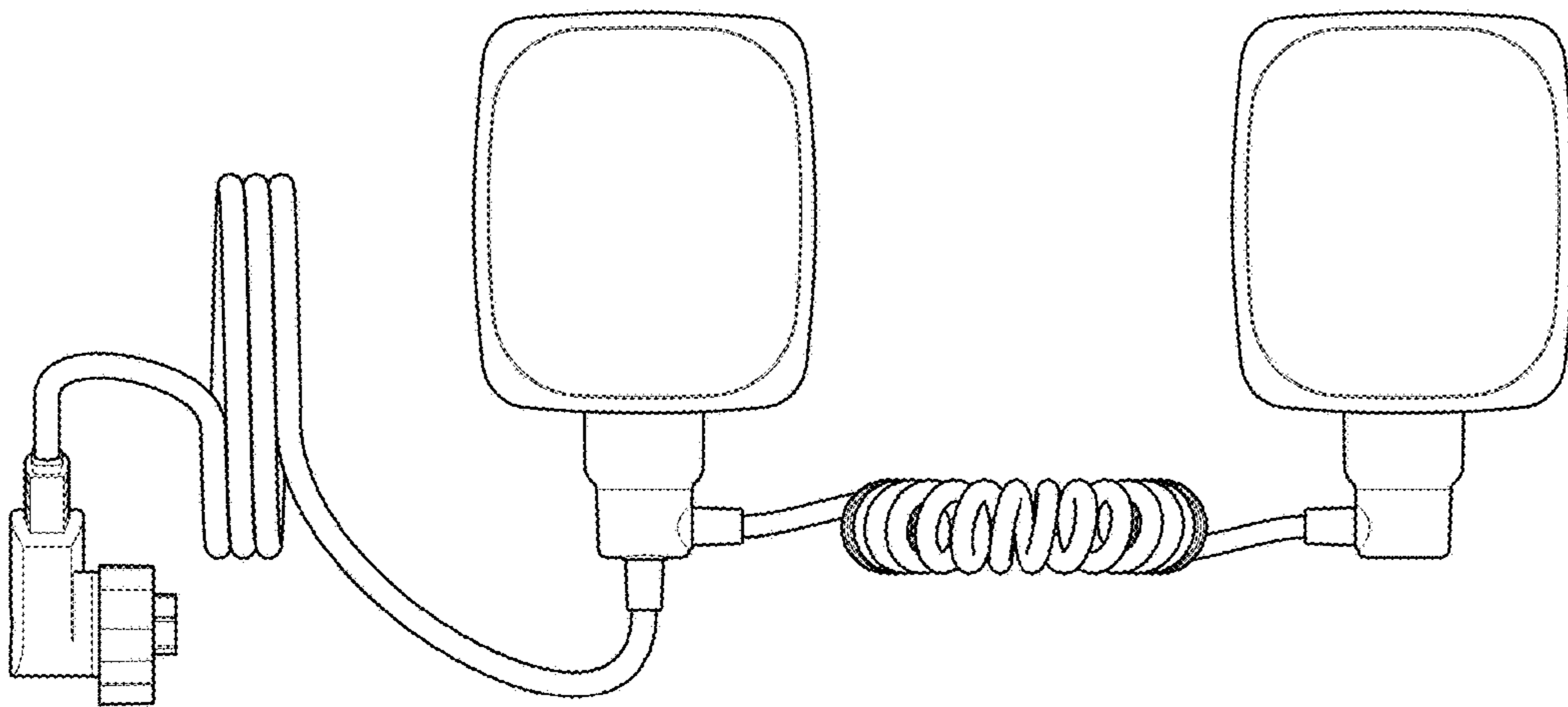
1.4



1.5



1.6



1.7