



US00D849949S

(12) **United States Design Patent** (10) **Patent No.:** **US D849,949 S**
Stalter et al. (45) **Date of Patent:** **** May 28, 2019**

(54) **IMAGING APPARATUS**

(74) *Attorney, Agent, or Firm* — McCoy Russell LLP

(71) Applicant: **General Electric Company**,
Schenectady, NY (US)

(57) **CLAIM**

The ornamental design for an imaging apparatus, as shown and described.

(72) Inventors: **Ross Christopher Stalter**, Hartland, WI (US); **Michael Smith**, Whitewater, WI (US); **Jonathan Boutot**, Waukesha, WI (US); **Robert Surma**, Elm Grove, WI (US); **Kenwood P. Dayton**, Mequon, WI (US); **Brandon Smith**, Waukesha, WI (US); **Timothy Behlmer**, Milwaukee, WI (US)

DESCRIPTION

(73) Assignee: **General Electric Company**,
Schenectady, NY (US)

FIG. 1 is a front elevation view of a first embodiment of an imaging apparatus;
FIG. 2 is a front-left perspective view of the imaging apparatus of FIG. 1.
FIG. 3 is left side elevation view of the imaging apparatus of FIG. 1.
FIG. 4 is a back-left perspective view of the imaging apparatus of FIG. 1.
FIG. 5 is a back elevation view of the imaging apparatus of FIG. 1.
FIG. 6 is a right side elevation view of the imaging apparatus of FIG. 1.
FIG. 7 is a top plan view of the imaging apparatus of FIG. 1.
FIG. 8 is a bottom plan view of the imaging apparatus of FIG. 1.
FIG. 9 is a front-left perspective view of the imaging apparatus of FIG. 1, with a patient support table shown in environment.
FIG. 10 is a front elevation view of a second embodiment of an imaging apparatus;
FIG. 11 is a front-left perspective view of the imaging apparatus of FIG. 10.
FIG. 12 is left side elevation view of the imaging apparatus of FIG. 10.
FIG. 13 is a back-left perspective view of the imaging apparatus of FIG. 10.
FIG. 14 is a back elevation view of the imaging apparatus of FIG. 10.
FIG. 15 is a right side elevation view of the imaging apparatus of FIG. 10.
FIG. 16 is a top plan view of the imaging apparatus of FIG. 10.
FIG. 17 is a bottom plan view of the imaging apparatus of FIG. 10; and,

(**) Term: **15 Years**

(21) Appl. No.: **29/627,198**

(22) Filed: **Nov. 22, 2017**

(51) **LOC (11) Cl.** **24-01**

(52) **U.S. Cl.**
USPC **D24/158**

(58) **Field of Classification Search**
USPC D24/158-161, 185, 186, 107

(Continued)

(56) **References Cited**

U.S. PATENT DOCUMENTS

D432,655 S * 10/2000 Benders D24/158
D639,950 S * 6/2011 Ramos D24/158

(Continued)

OTHER PUBLICATIONS

Zhang, W. et al., "An Ornamental Design for an Imaging Apparatus," U.S. Appl. No. 29/627,199, filed Nov. 22, 2017, 19 pages.

Primary Examiner — Anhdao Doan

(Continued)

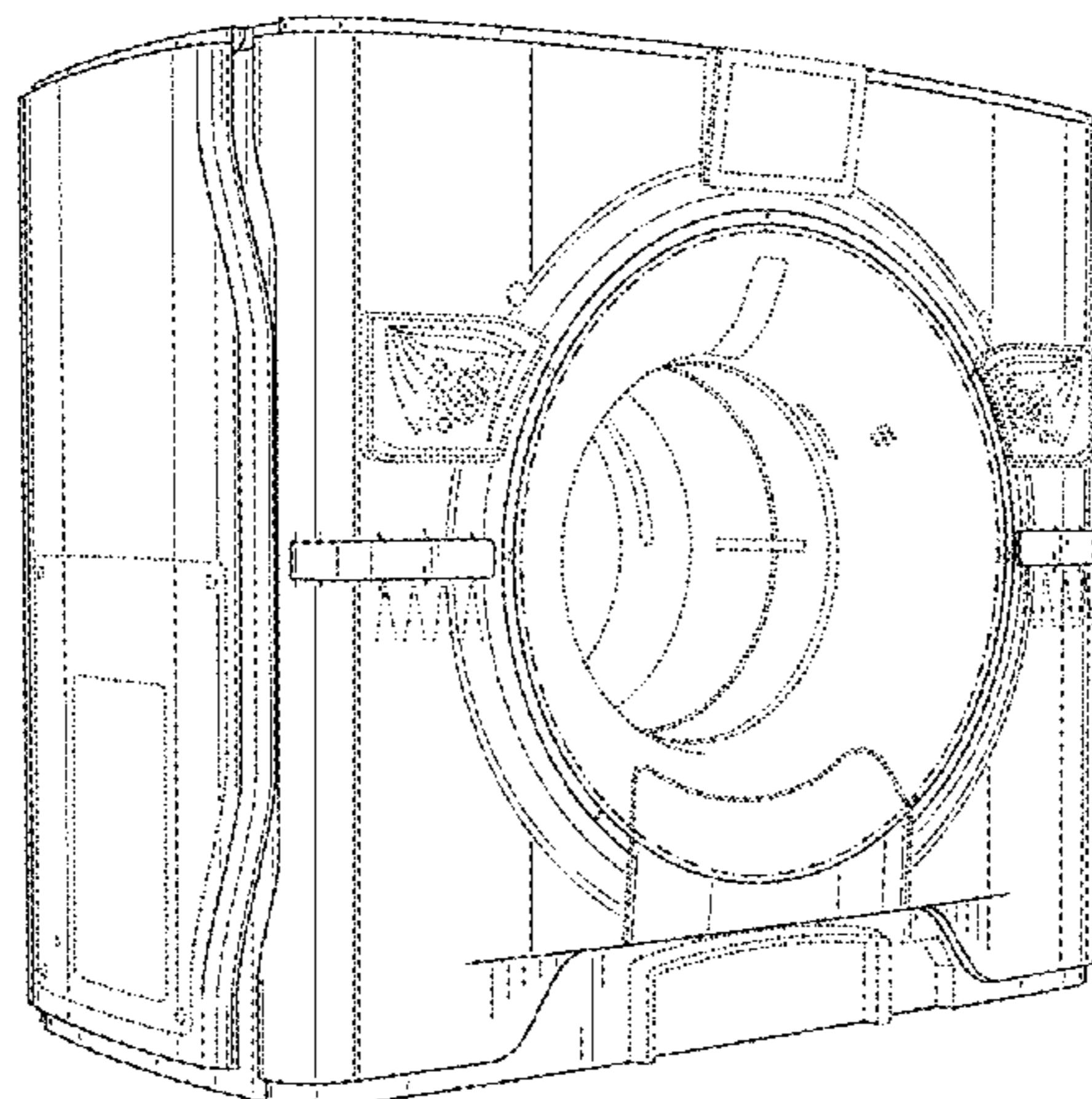


FIG. 18 is a front-left perspective view of the imaging apparatus of FIG. 10, with the patient support table shown in environment.

The radiating lines for the portions at the front of the imaging apparatus shown by FIGS. 1-3, 6, 9, 10-12, 15, and 18 represent illuminated features. The broken lines in the drawing views are included for the purpose of illustrating portions of the imaging apparatus that form no part of the claimed design. For purposes of clarity, FIGS. 9 and 18 show the imaging apparatus with the patient support table. The patient support table is shown for illustrative purposes and forms no part of the claimed design.

The lighter density stippling, medium density stippling, and heavier density stippling shown by FIGS. 10-18 indicate a relative contrast in appearance.

The dash-dot-dash lines shown by FIGS. 1, 2, 4, 5, 7-11, 13-14 and 16-18 indicate boundary lines enclosing portions that form no part of the claimed design.

1 Claim, 18 Drawing Sheets

(58) **Field of Classification Search**

CPC A61B 6/06; A61B 6/4405; A61B 6/4411;
A61B 6/032; A61B 5/055; G01N
2223/1016; G01N 2223/301; G01N
2223/031; G01N 2223/419; G01N
23/046; G01R 33/48

See application file for complete search history.

(56) **References Cited**

U.S. PATENT DOCUMENTS

D700,339 S * 2/2014 Tan D24/158
D700,340 S * 2/2014 Tan D24/158
D818,126 S * 5/2018 Personelli D24/158

* cited by examiner

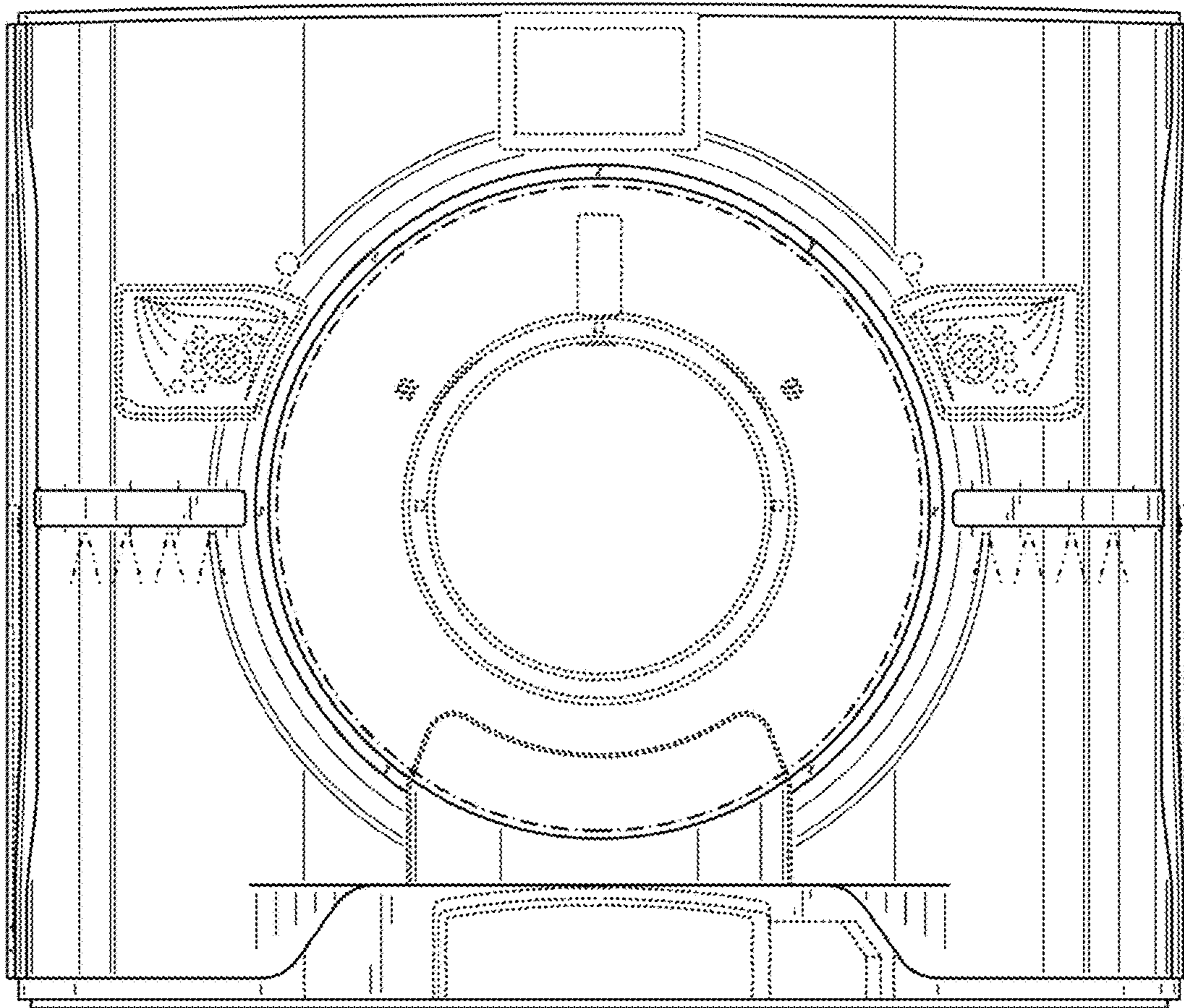


FIG. 1

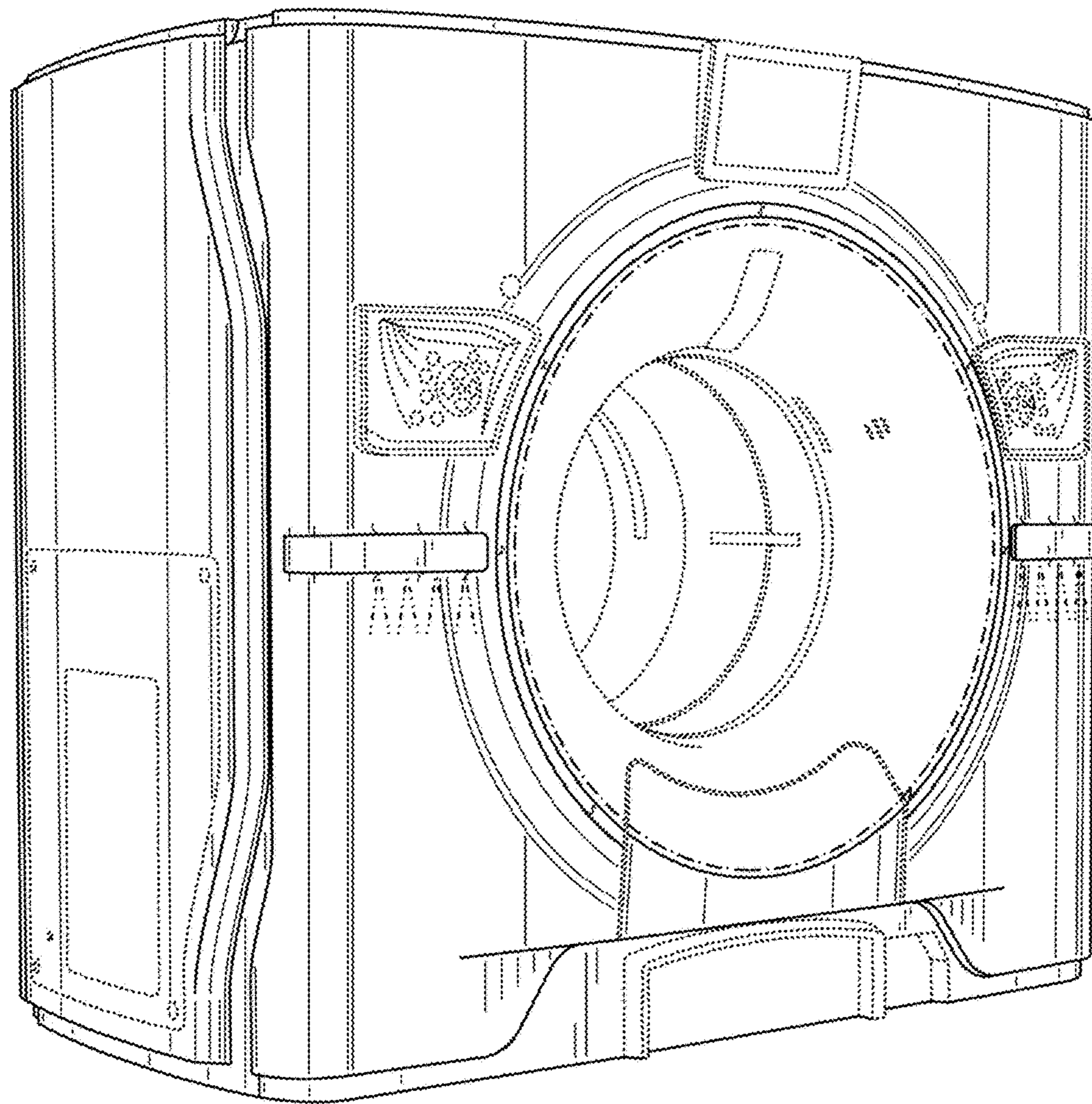


FIG. 2

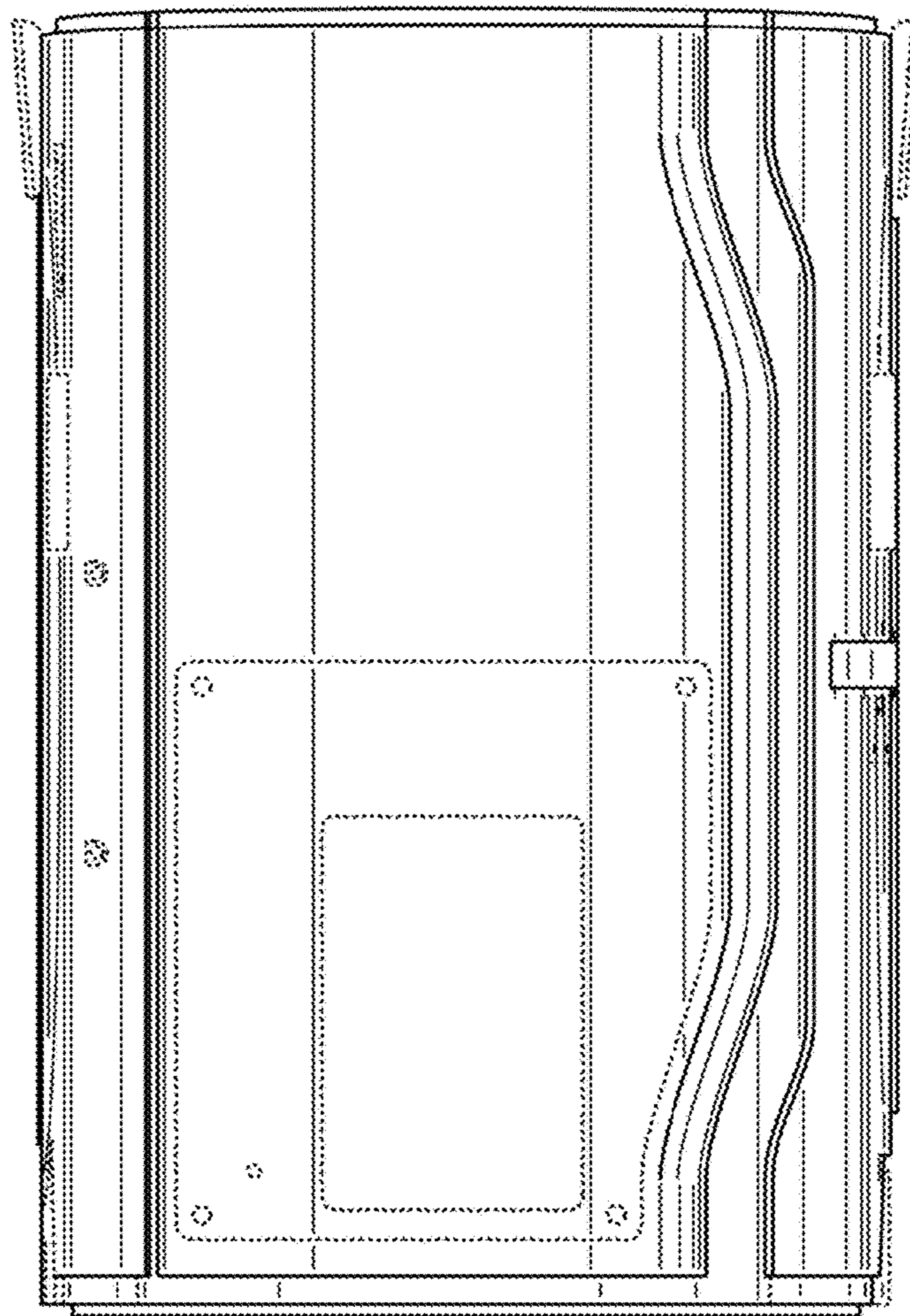


FIG. 3

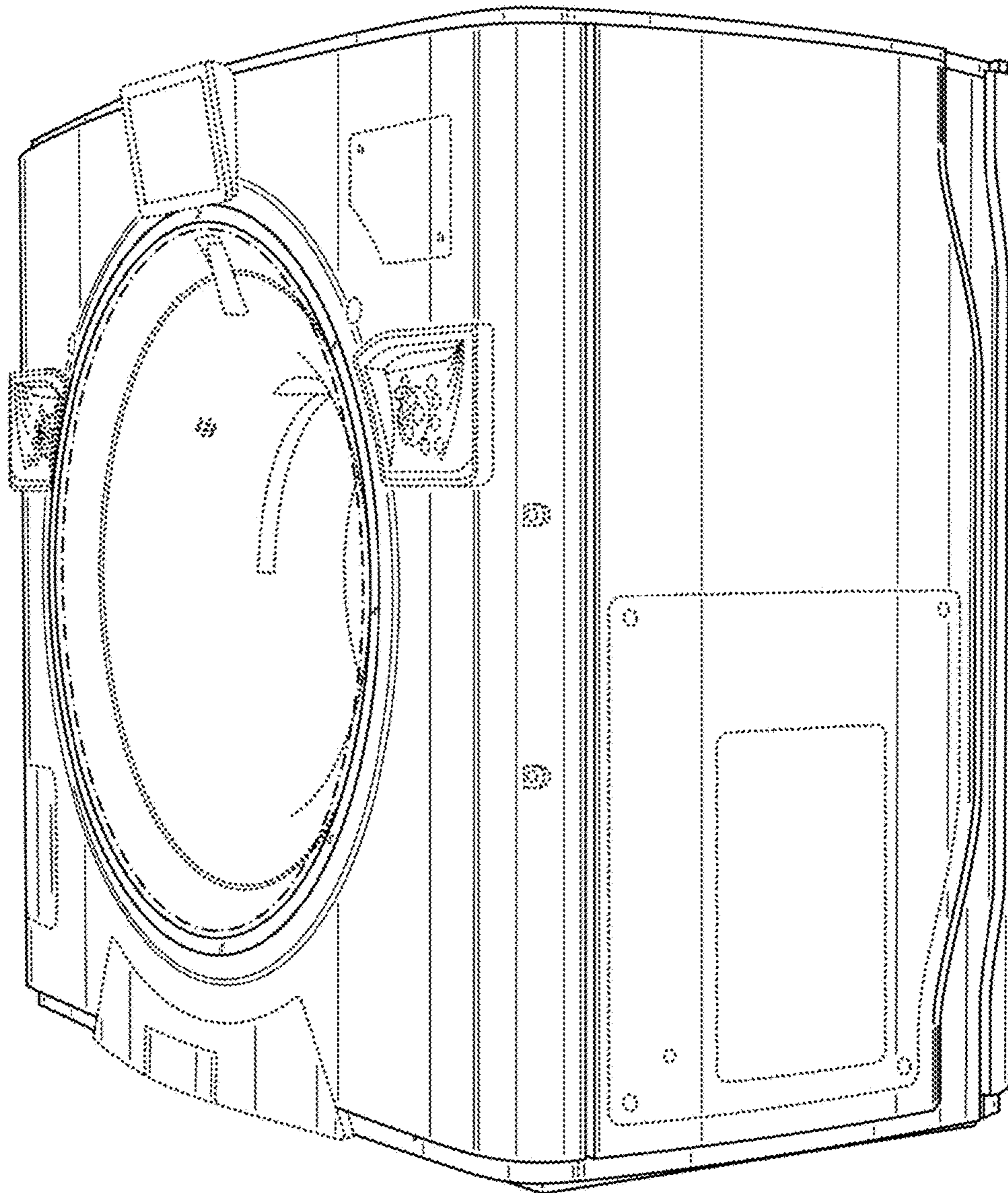


FIG. 4

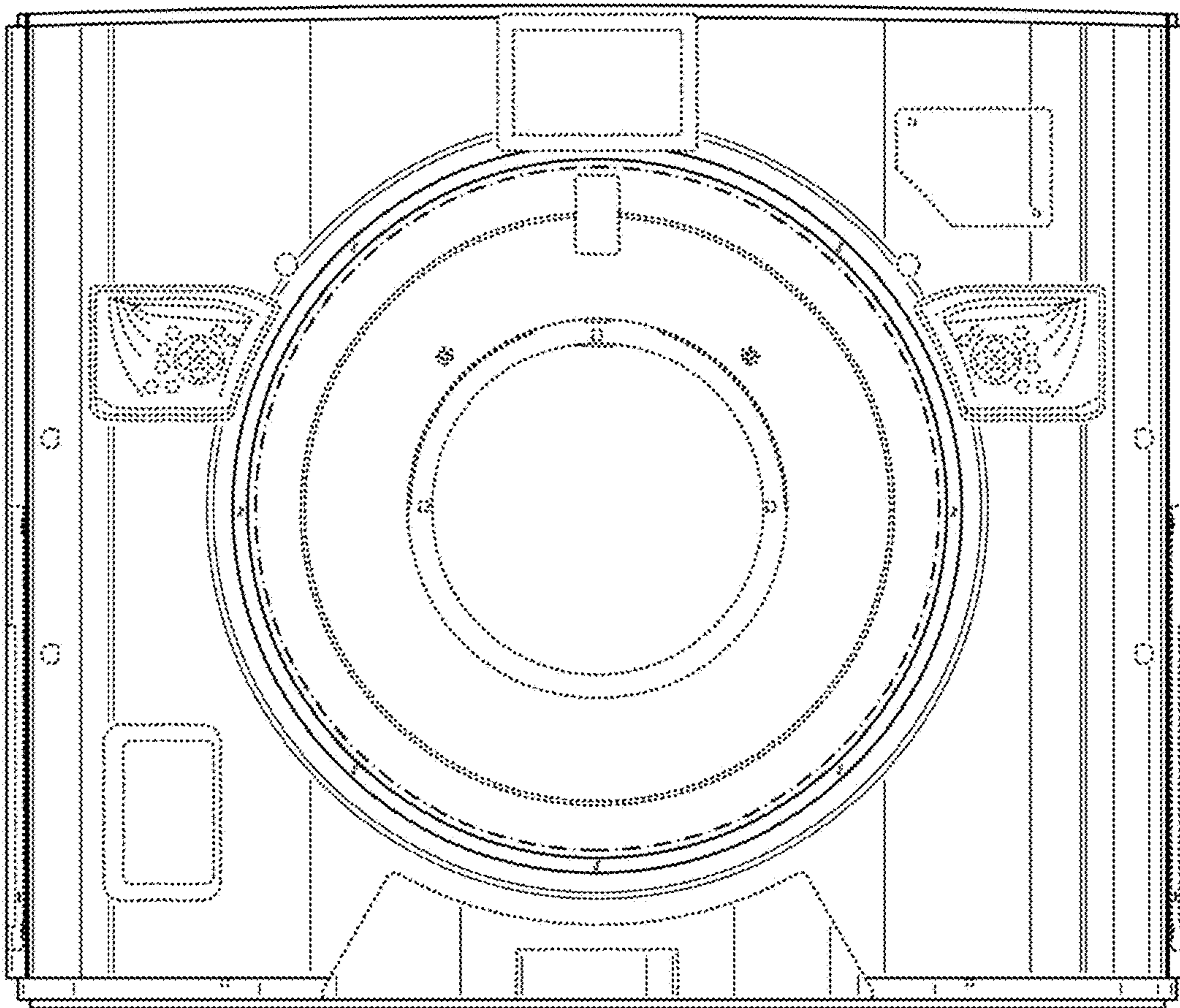


FIG. 5

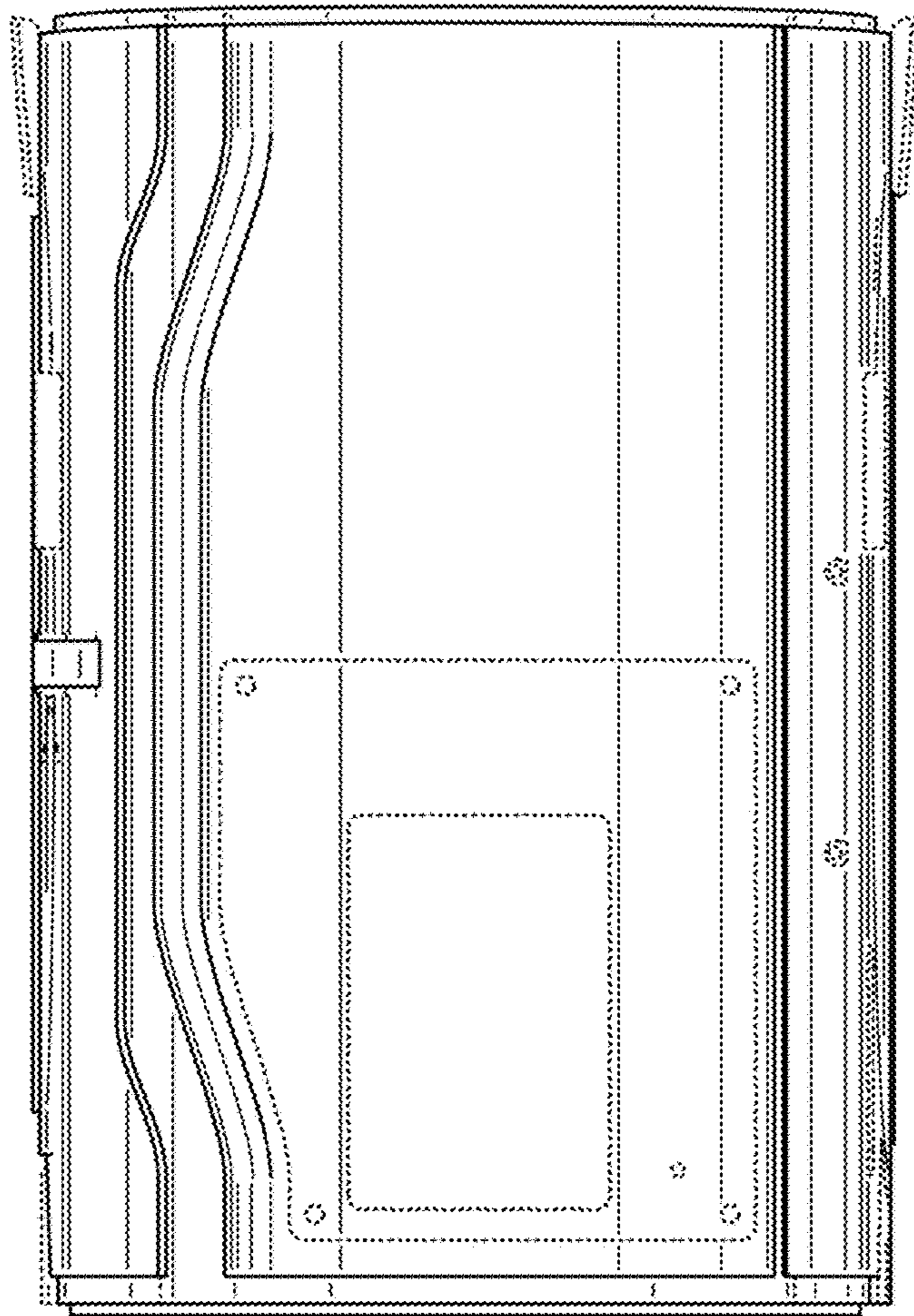


FIG. 6

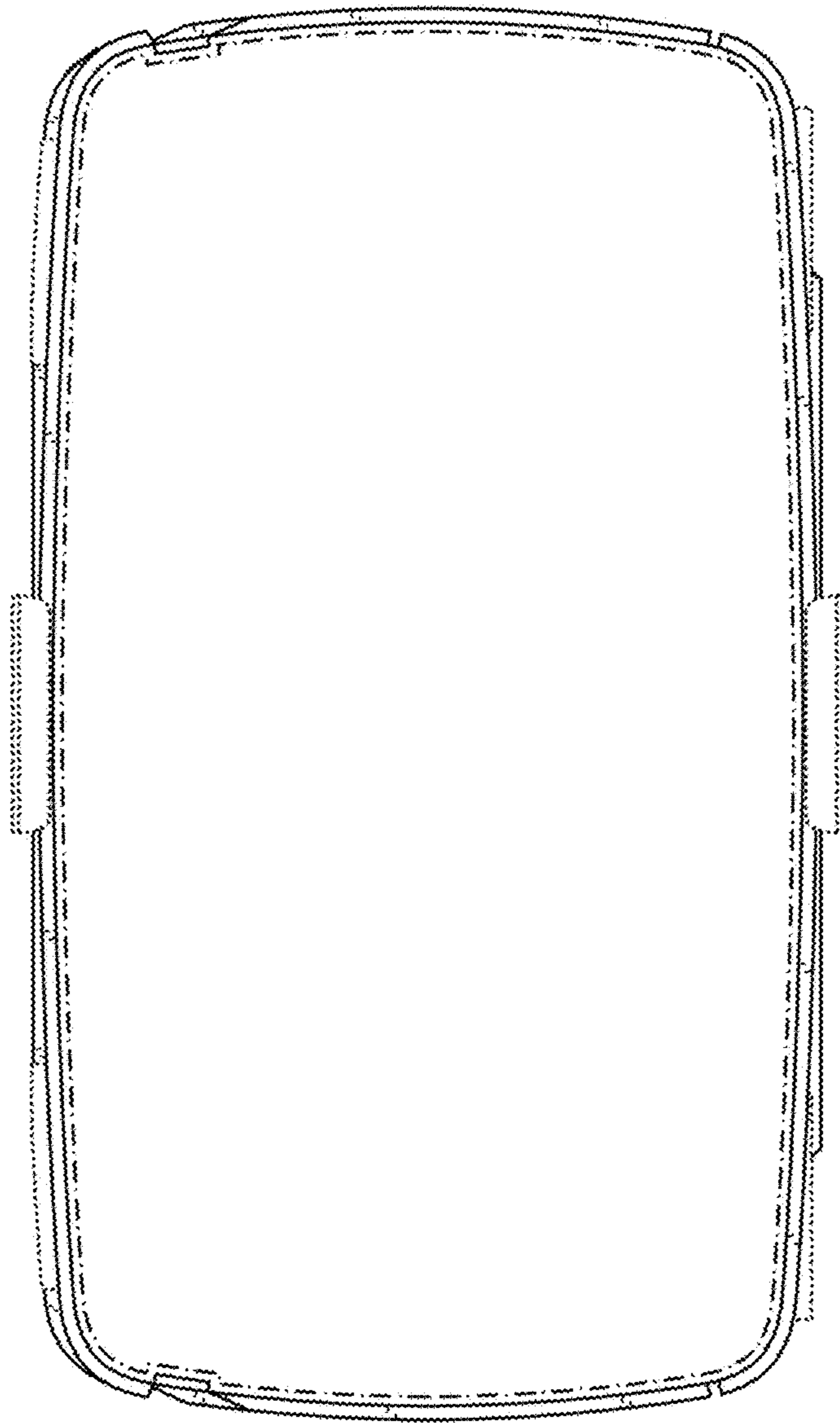


FIG. 7

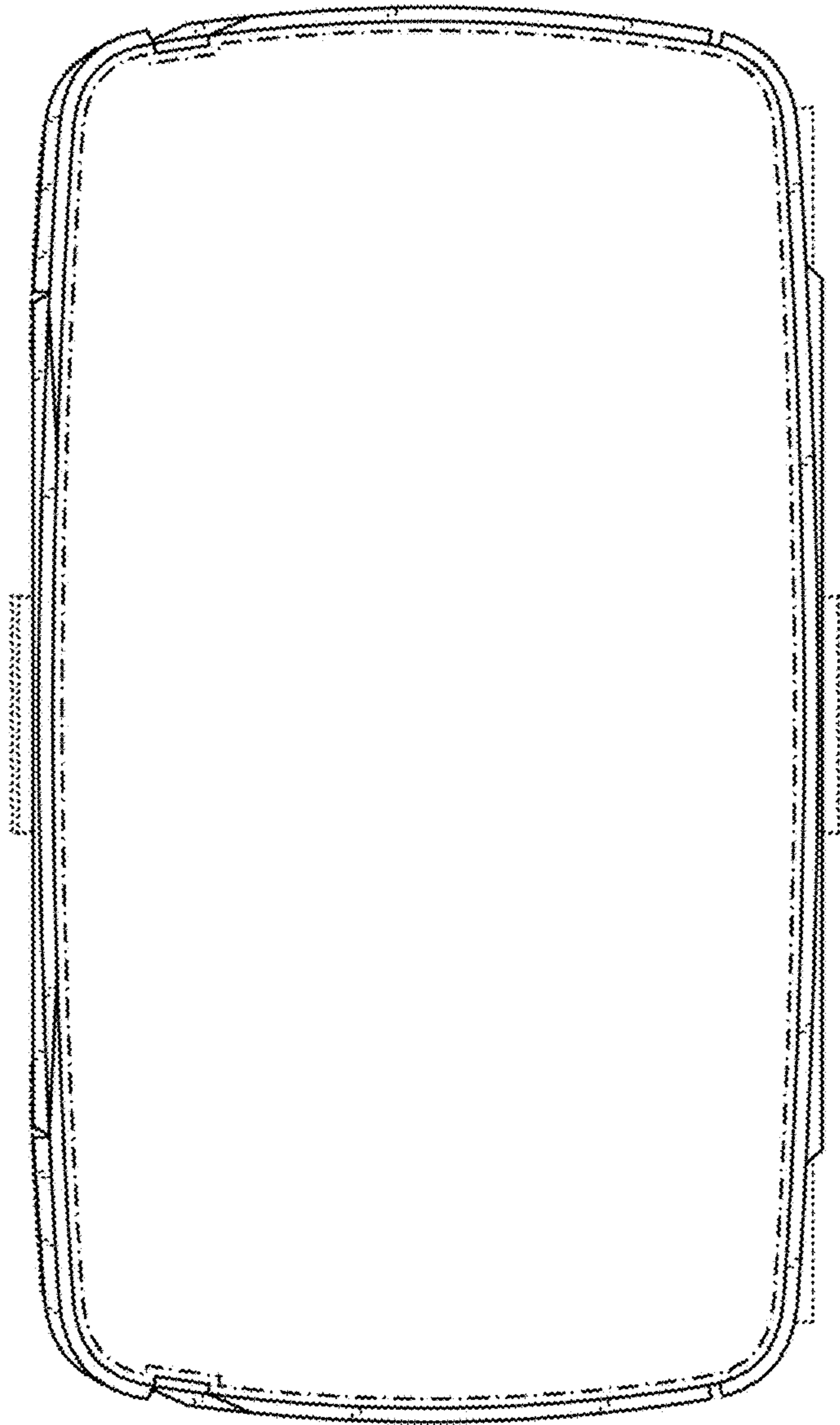


FIG. 8

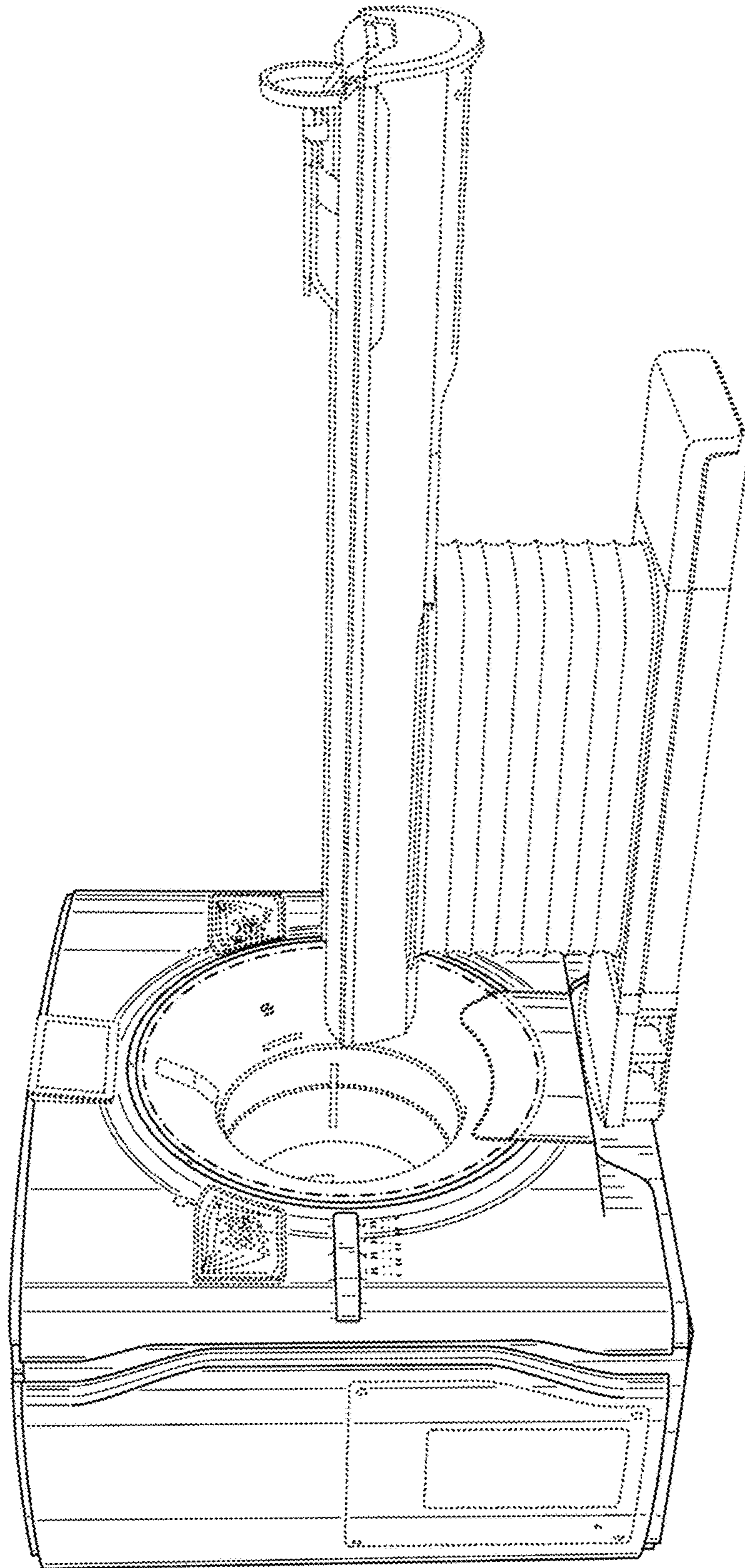


FIG. 9

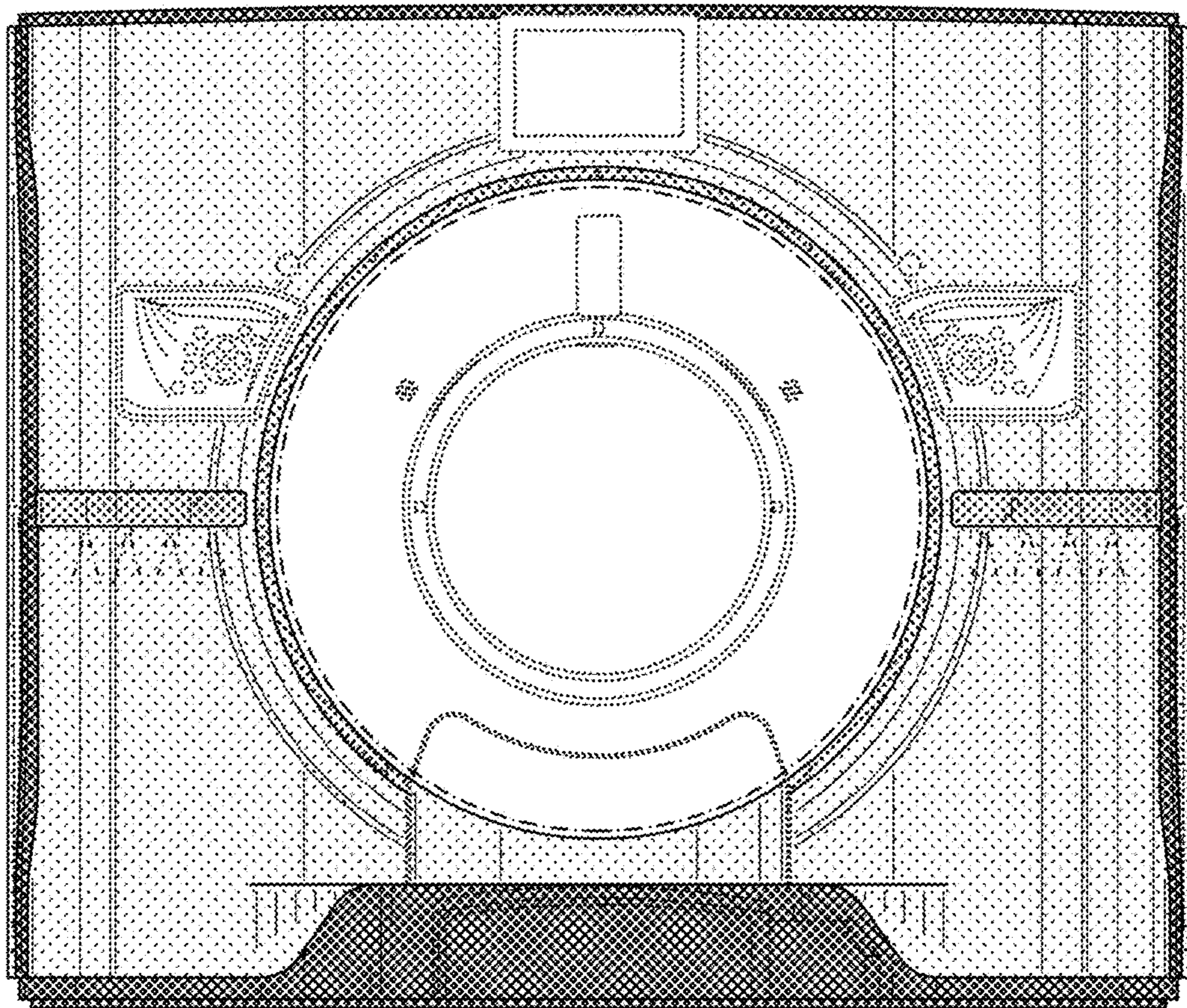


FIG. 10

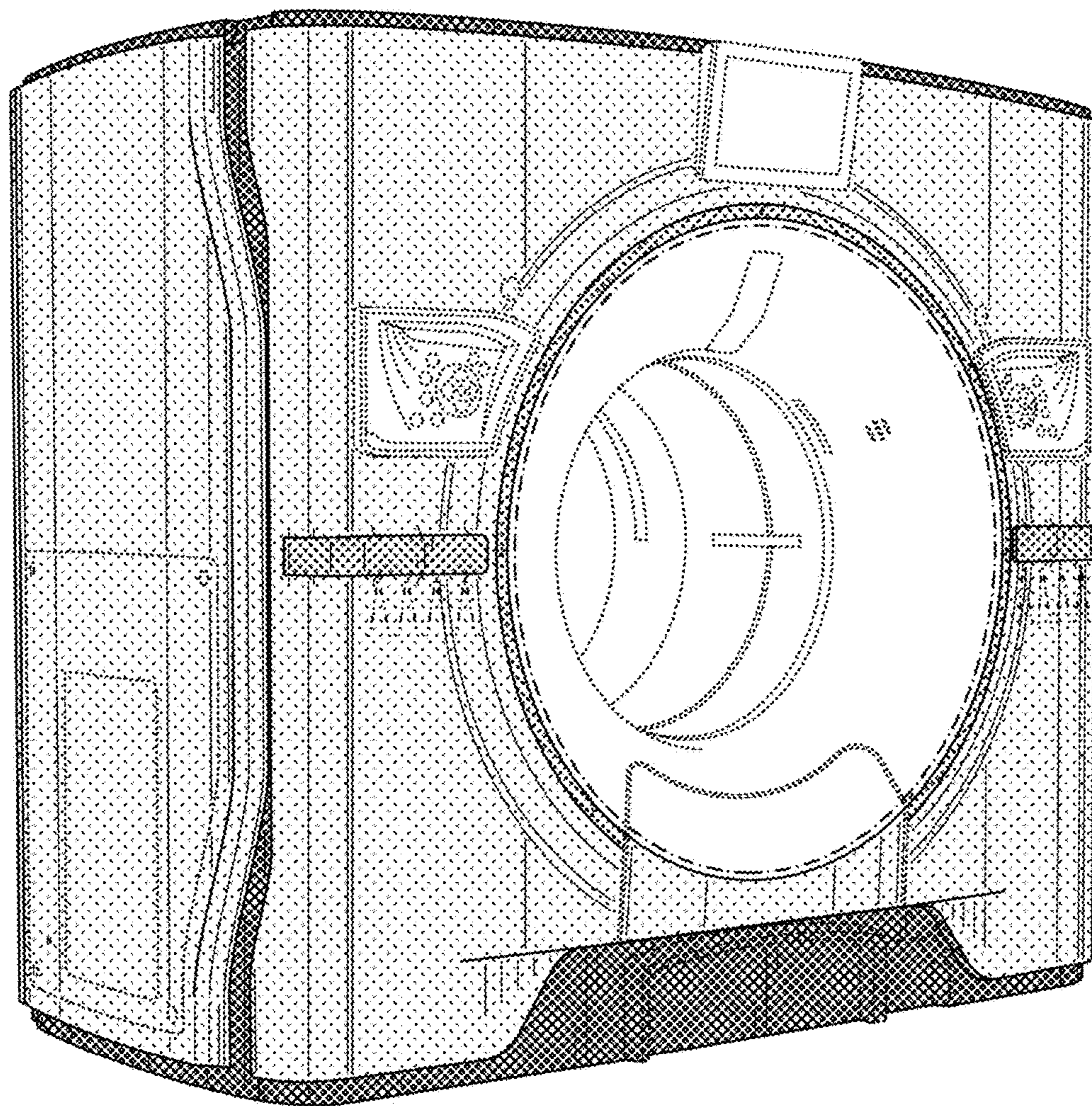


FIG. 11

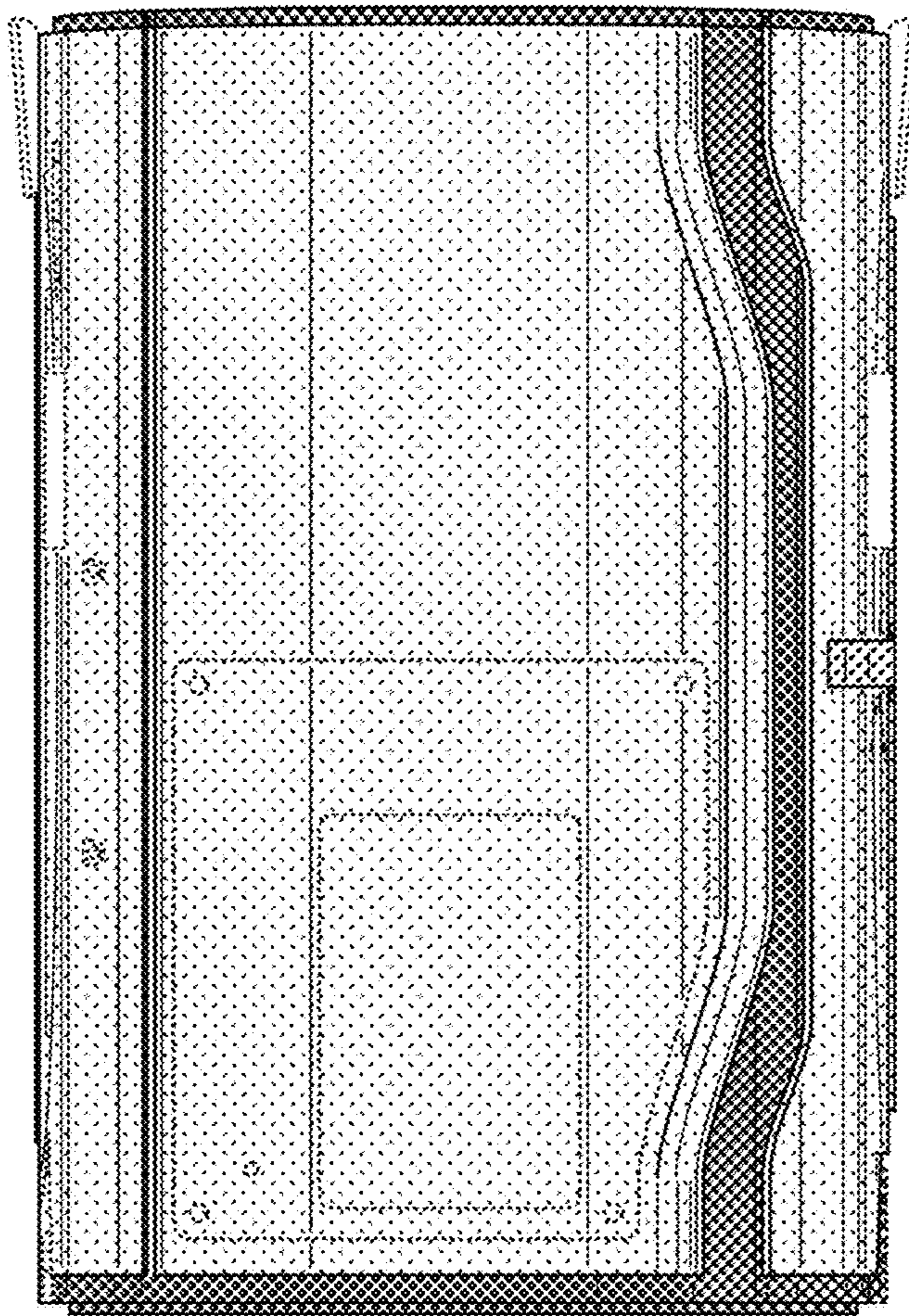


FIG. 12

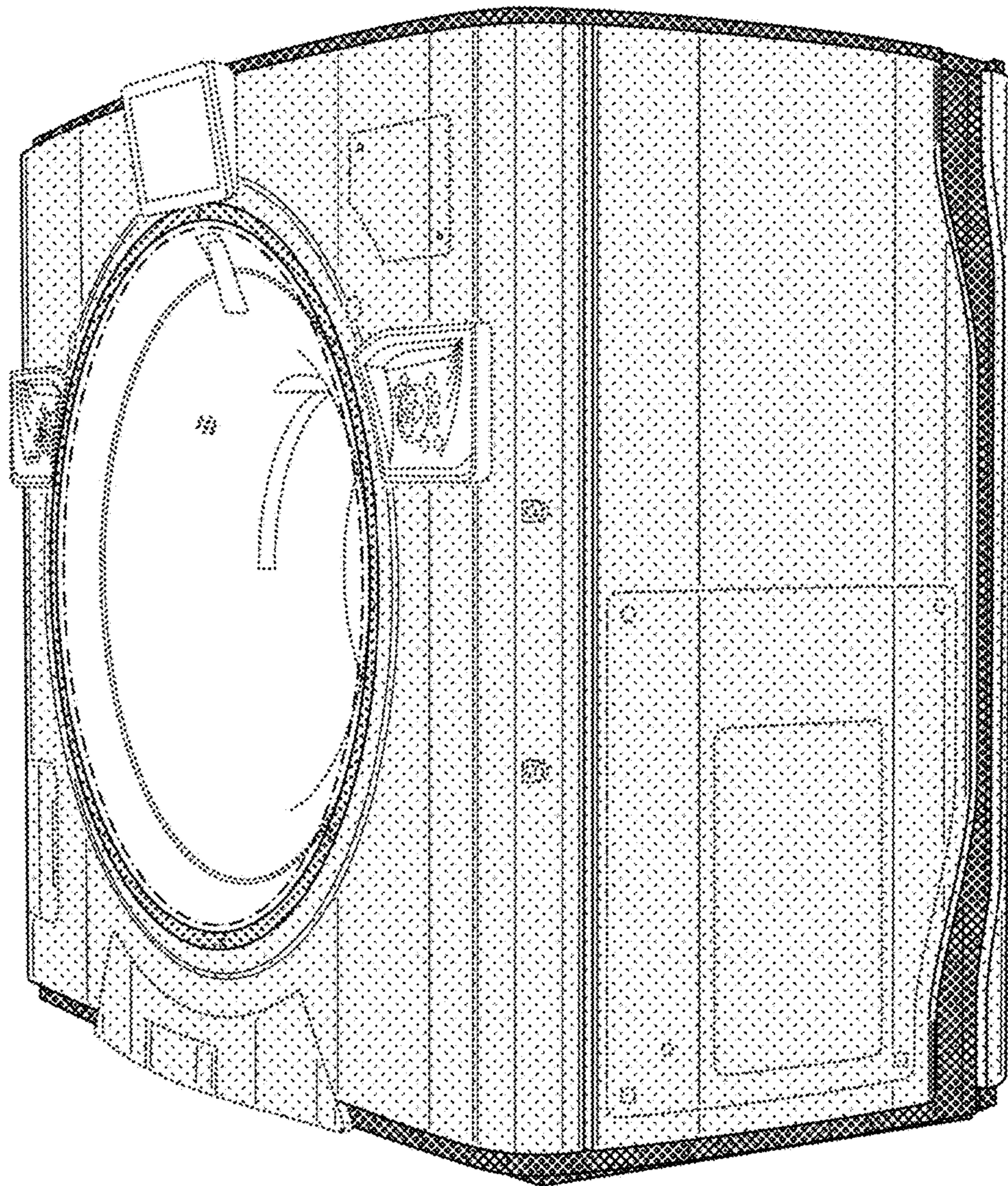


FIG. 13

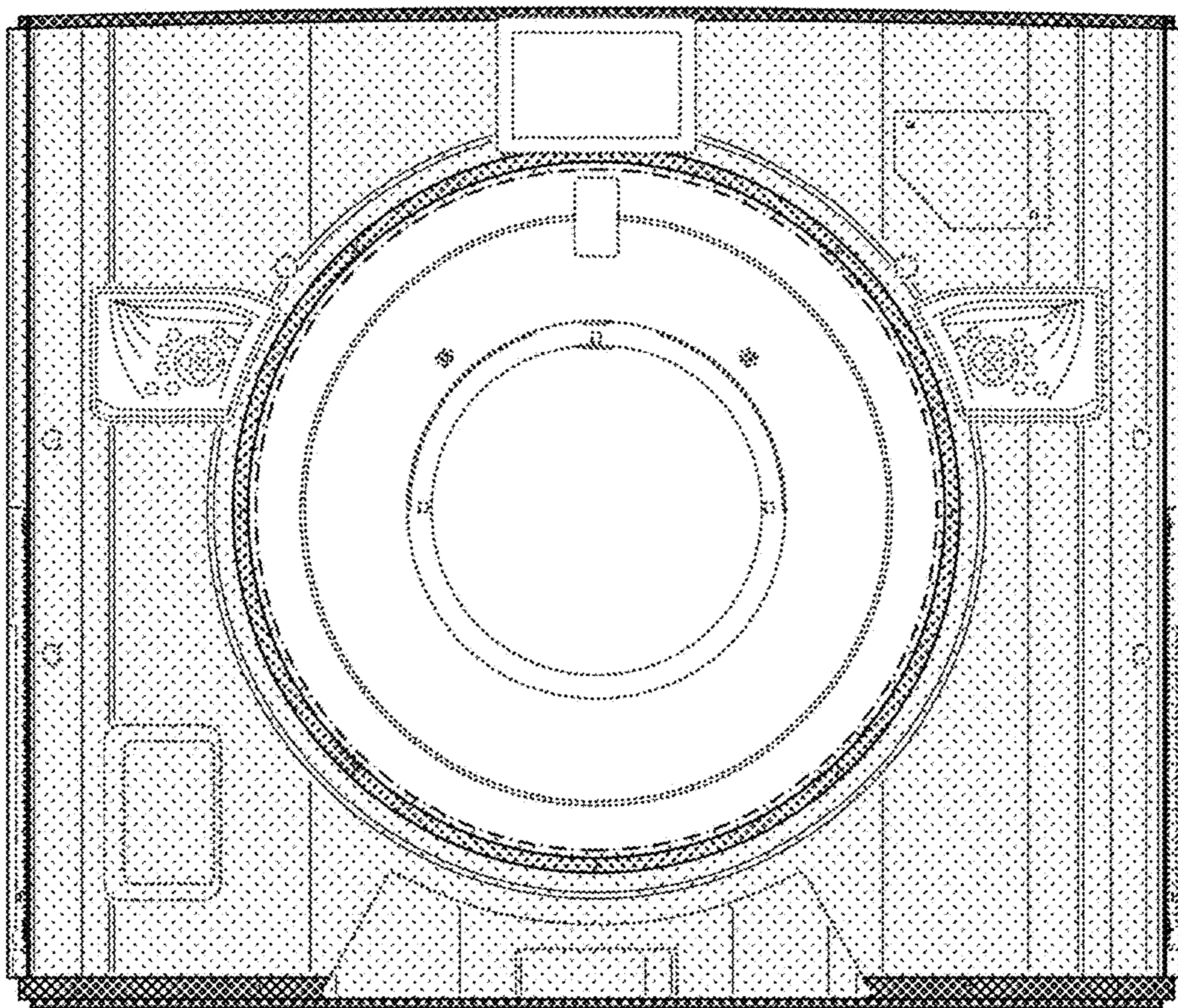


FIG. 14

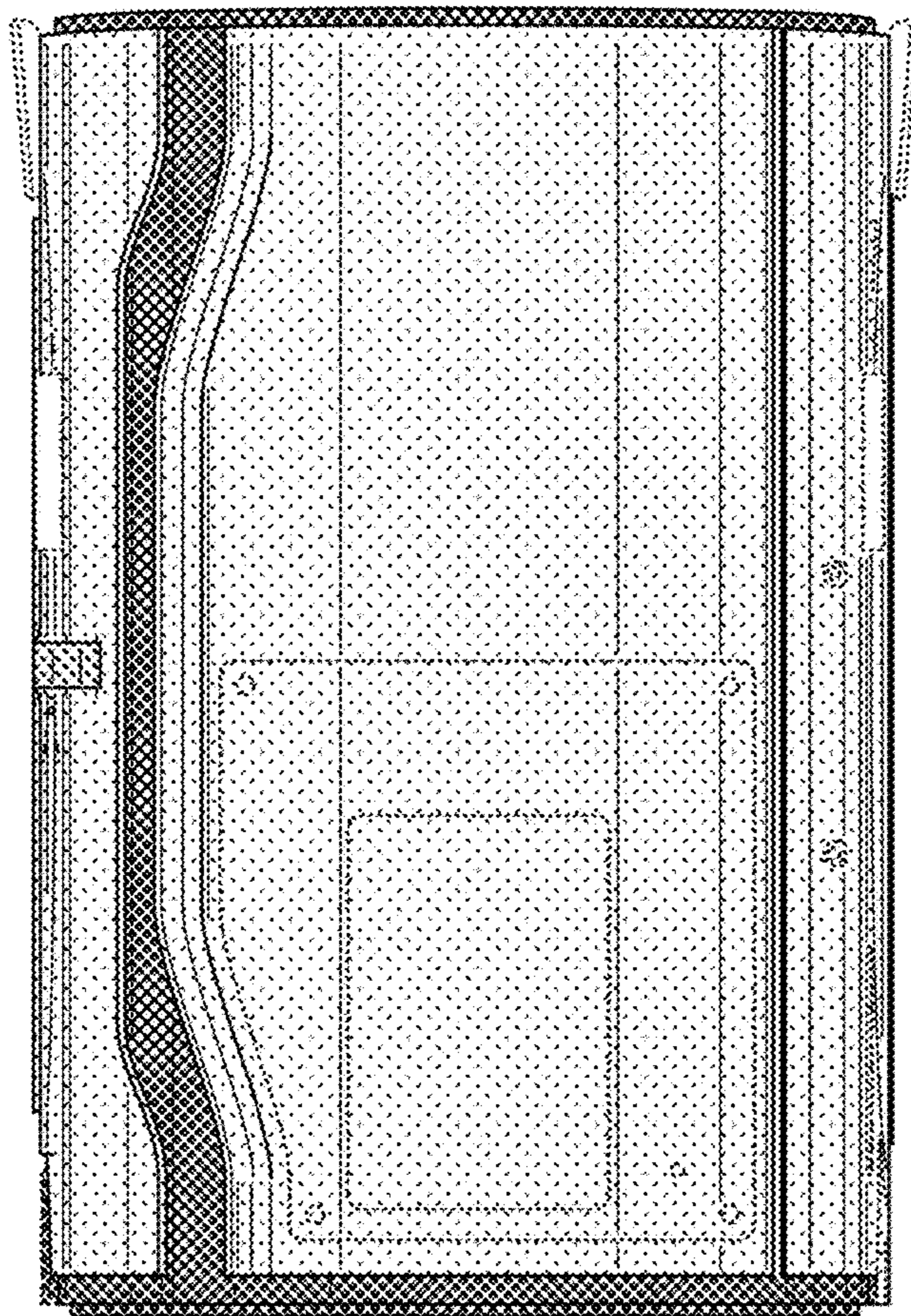


FIG. 15

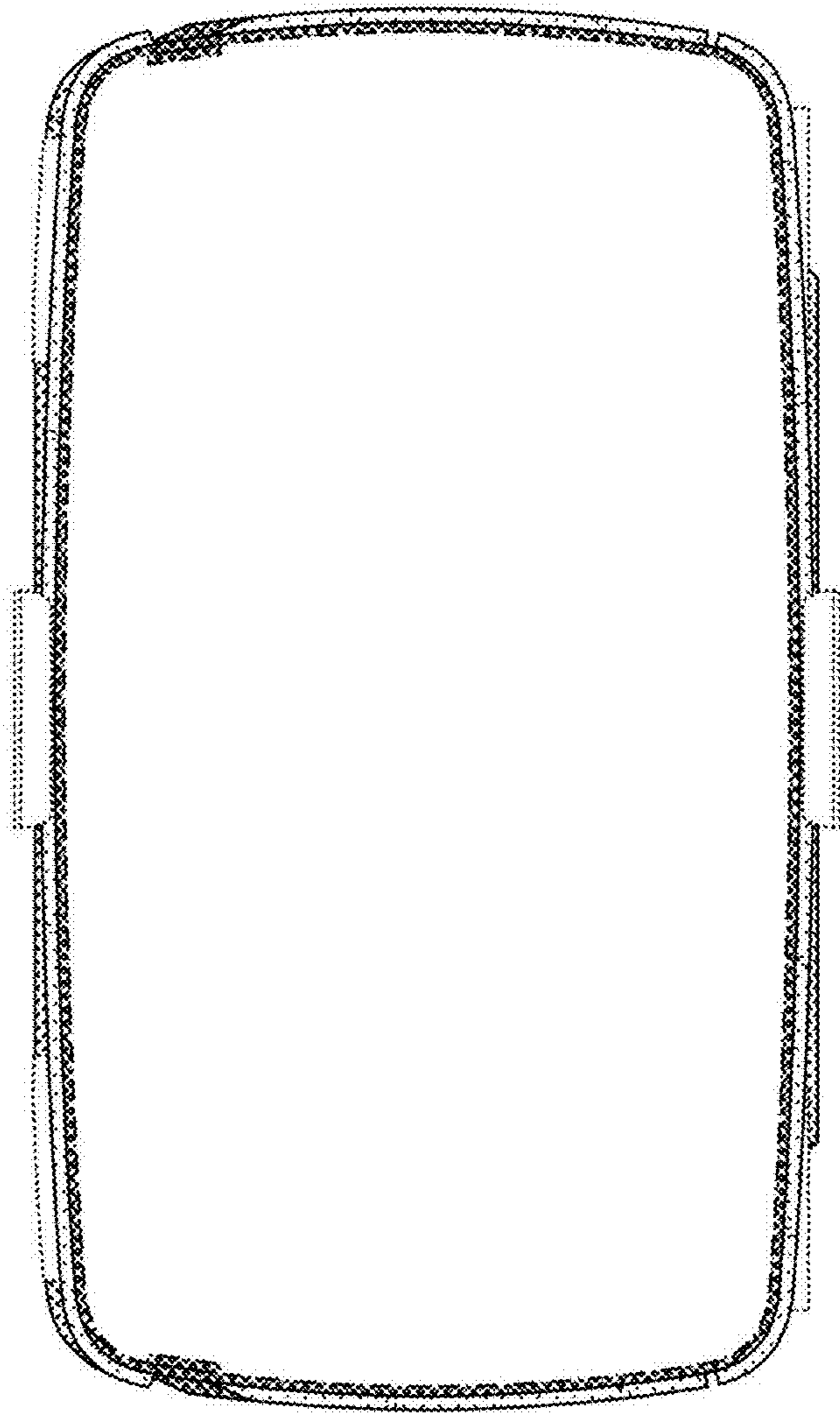


FIG. 16

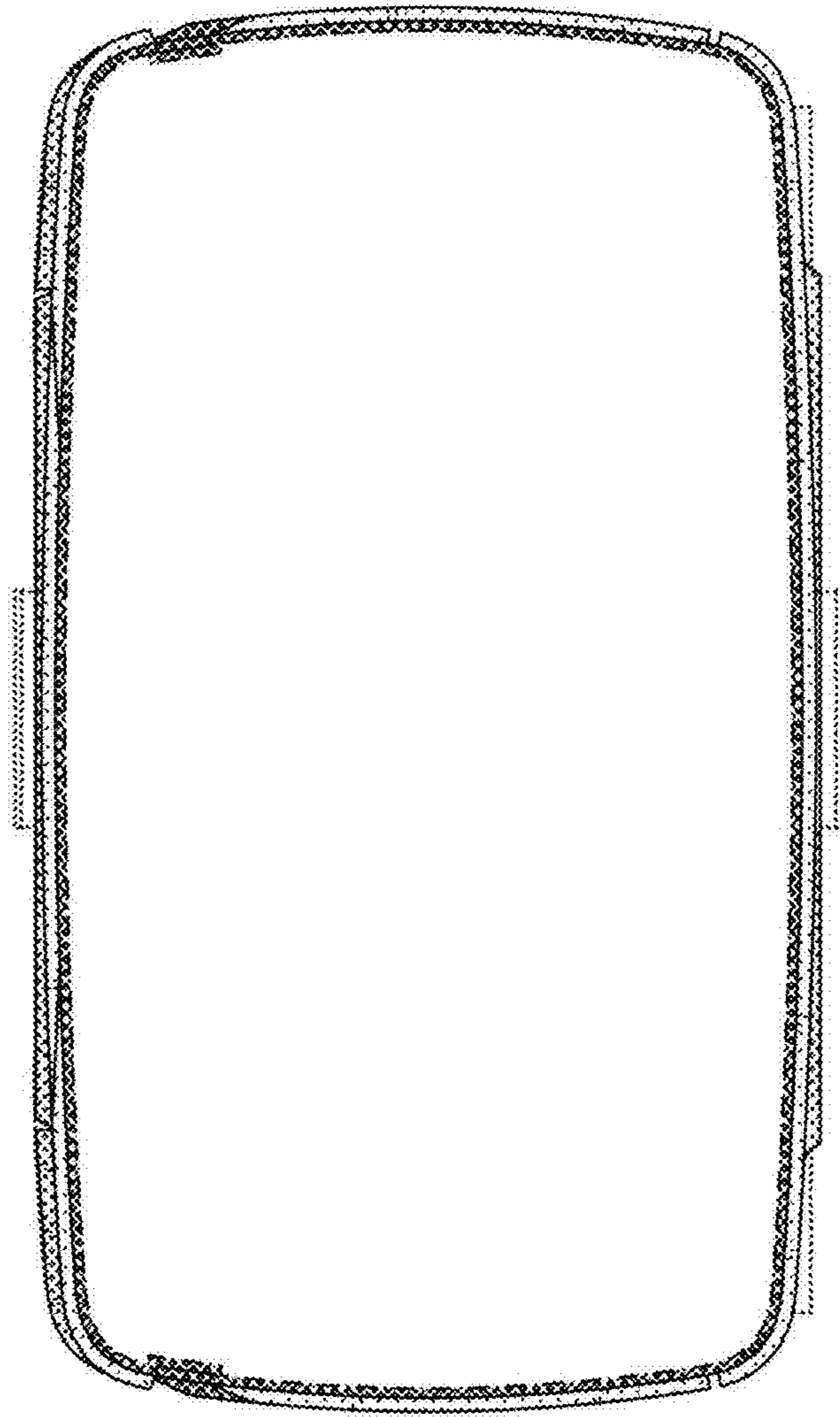


FIG. 17

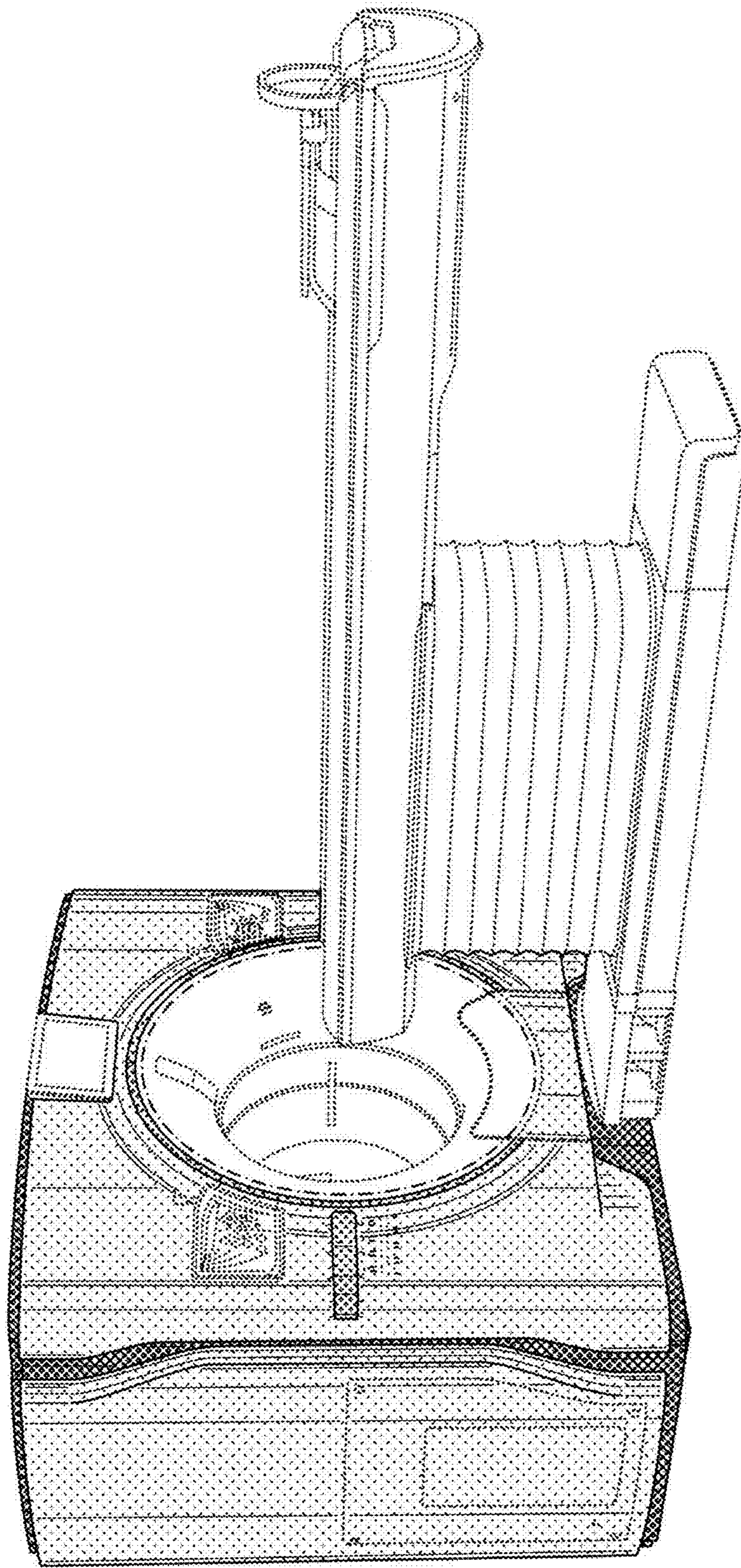


FIG. 18