



US00D849944S

(12) **United States Design Patent** (10) **Patent No.:** **US D849,944 S**  
**Dacosta** (45) **Date of Patent:** **\*\* May 28, 2019**

(54) **BONE WEDGE IMPLANT**  
(71) Applicant: **Paragon 28, Inc.**, Englewood, CO (US)  
(72) Inventor: **Albert Dacosta**, Lone Tree, CO (US)  
(73) Assignee: **Paragon 28, Inc.**, Englewood, CO (US)  
(\*\*) Term: **15 Years**  
(21) Appl. No.: **29/538,559**  
(22) Filed: **Sep. 4, 2015**  
(51) **LOC (11) Cl.** ..... **24-03**  
(52) **U.S. Cl.**  
USPC ..... **D24/155**  
(58) **Field of Classification Search**  
USPC ..... D24/155  
CPC ..... A61F 2/4611; A61F 2/442; A61F 2/447;  
A61F 2220/0025; A61F 2310/00023;  
A61F 2310/00017; A61F 2002/4475;  
A61F 2002/30841; A61F 2002/2835;  
A61F 2002/30904; A61F 2002/30785;  
A61F 2002/443; A61F 2002/30578  
See application file for complete search history.

D720,457 S \* 12/2014 Bono ..... D24/155  
D767,133 S \* 9/2016 Gotfried ..... D24/155  
9,585,765 B2 \* 3/2017 Niemiec ..... A61F 2/447  
D794,796 S \* 8/2017 Lin ..... D24/155  
2003/0105526 A1 \* 6/2003 Bryant ..... A61F 2/28  
623/16.11

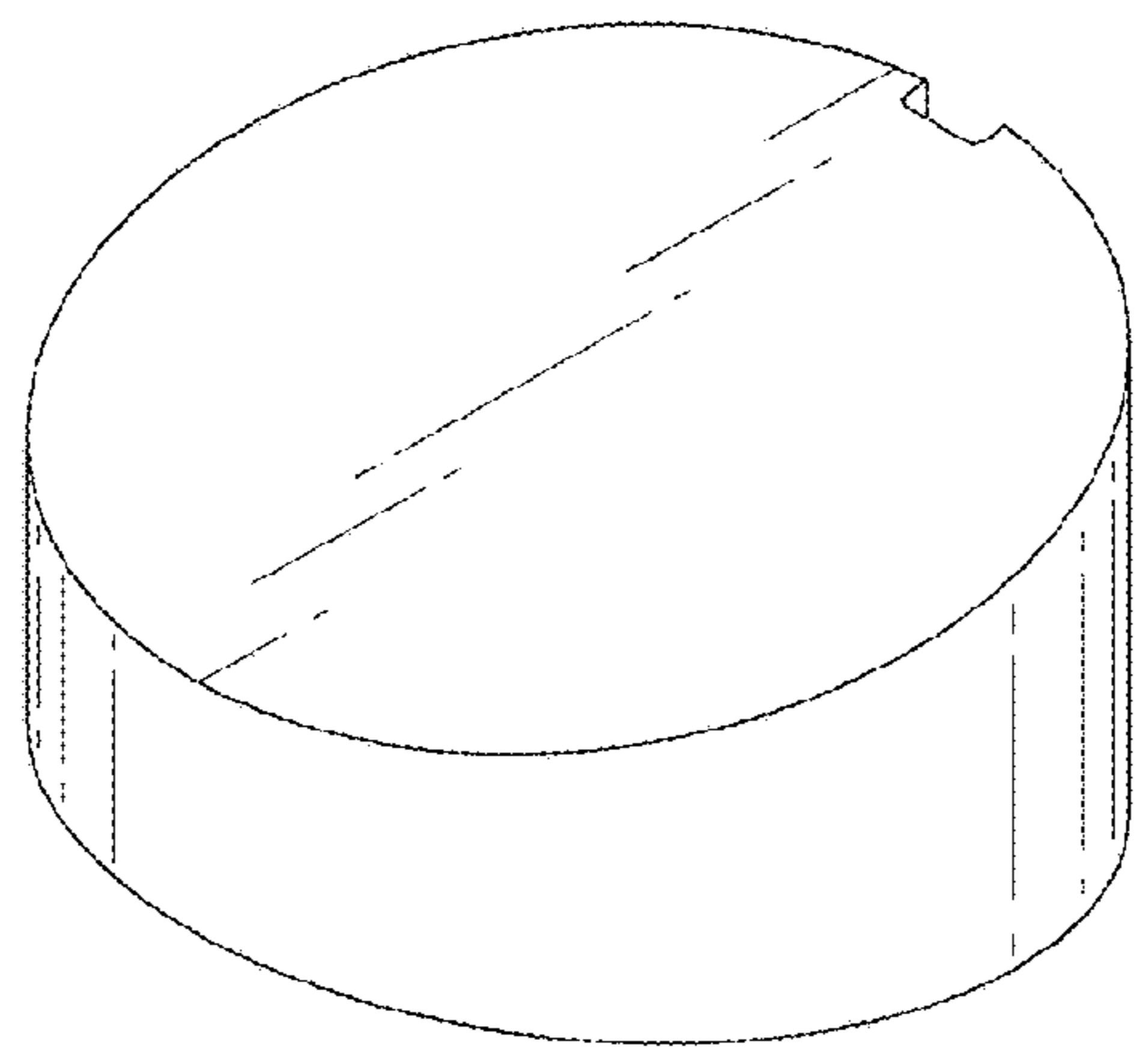
\* cited by examiner  
*Primary Examiner* — Charles D Hanson  
(74) *Attorney, Agent, or Firm* — Heslin Rothenberg  
Farley & Mesiti P.C.

(56) **References Cited**  
U.S. PATENT DOCUMENTS  
4,863,477 A \* 9/1989 Monson ..... A61F 2/441  
623/17.12  
6,008,433 A \* 12/1999 Stone ..... A61B 17/68  
623/20.14  
6,723,097 B2 \* 4/2004 Fraser ..... A61F 2/4684  
606/247  
8,357,167 B2 \* 1/2013 Errico ..... A61F 2/442  
606/90  
D691,272 S \* 10/2013 Dacosta ..... D24/155  
D720,456 S \* 12/2014 Dacosta ..... D24/155

(57) **CLAIM**  
The ornamental design for a bone wedge implant, as shown  
and described.

**DESCRIPTION**  
FIG. 1 is a top, front perspective view of a bone wedge  
implant comprising the new design;  
FIG. 2 is a back, bottom perspective view of the design of  
FIG. 1;  
FIG. 3 is a front elevational view of the design of FIG. 1;  
FIG. 4 is a back elevational view of the design of FIG. 1;  
FIG. 5 is a right elevational view of the design of FIG. 1;  
FIG. 6 is a left elevational view of the design of FIG. 1; and,  
FIG. 7 is a top view of the design of FIG. 1, where the  
bottom view is a mirror image thereof.  
The broken lines shown in the figures are directed to the  
environment and are for illustrative purposes only and form  
no part of the claimed bone wedge implant design.  
The relatively light, uneven broken lines shown in the  
Figures represent contour, not surface decoration.

**1 Claim, 3 Drawing Sheets**



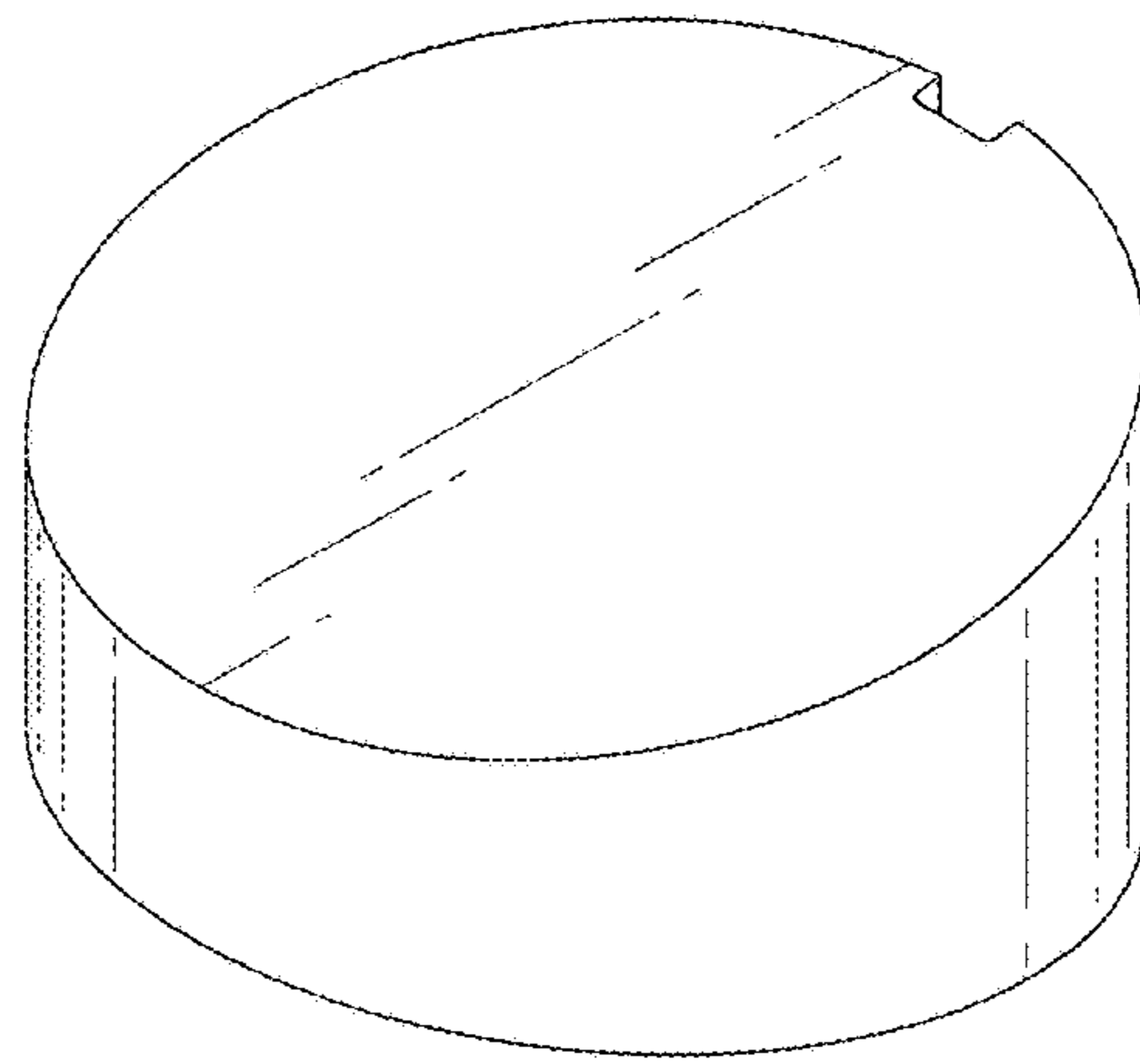


FIG. 1

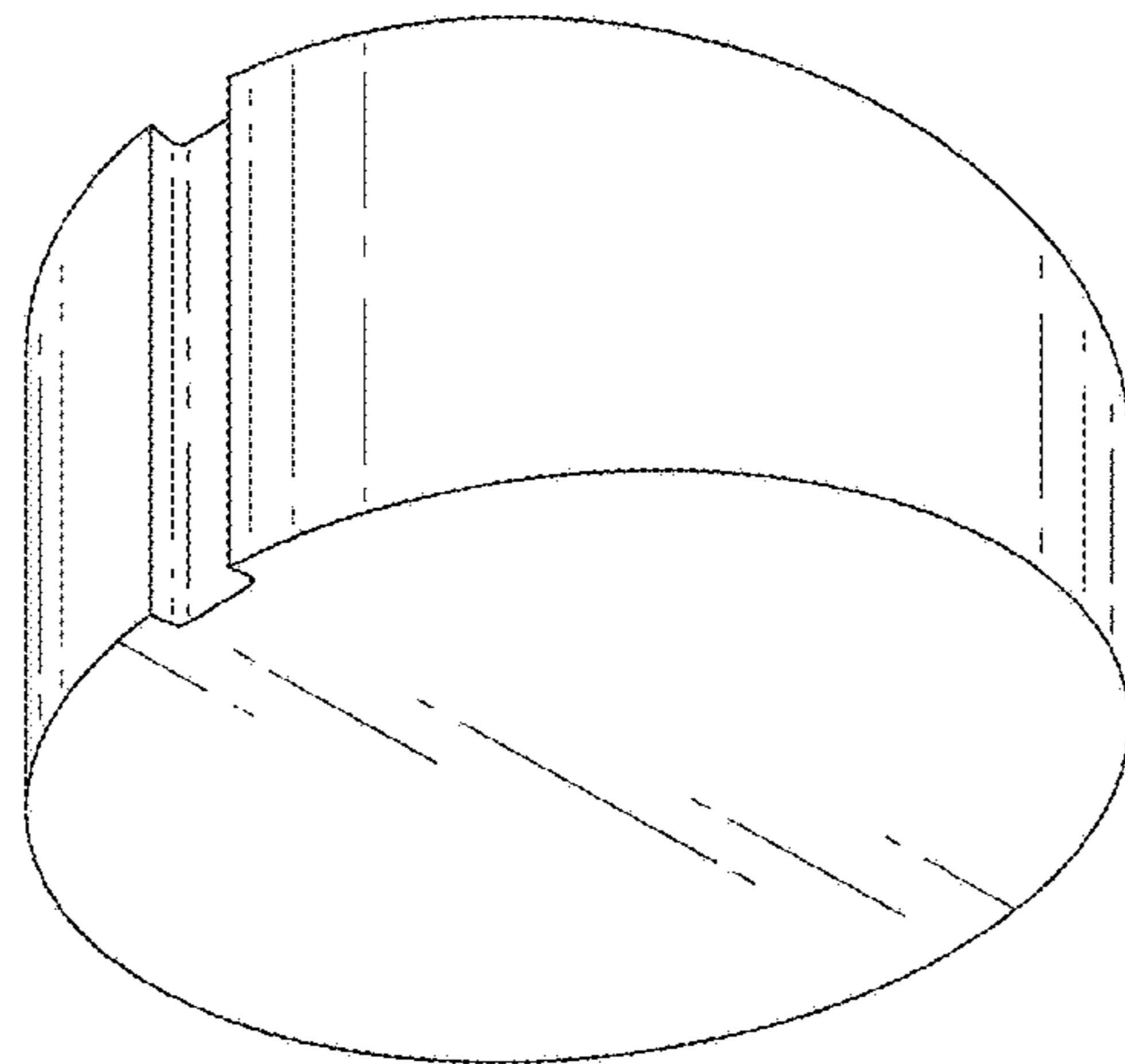


FIG. 2

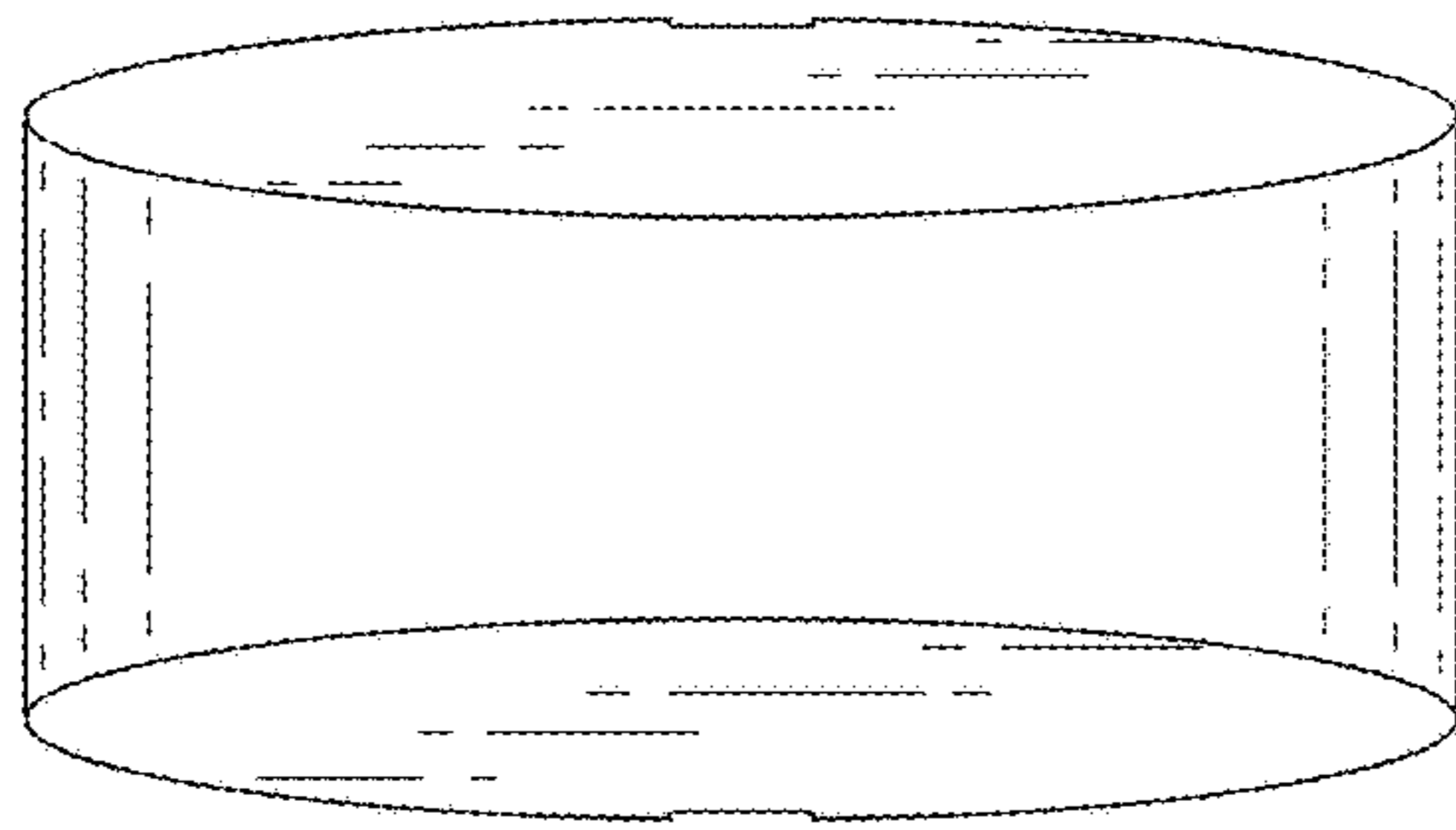


FIG. 3

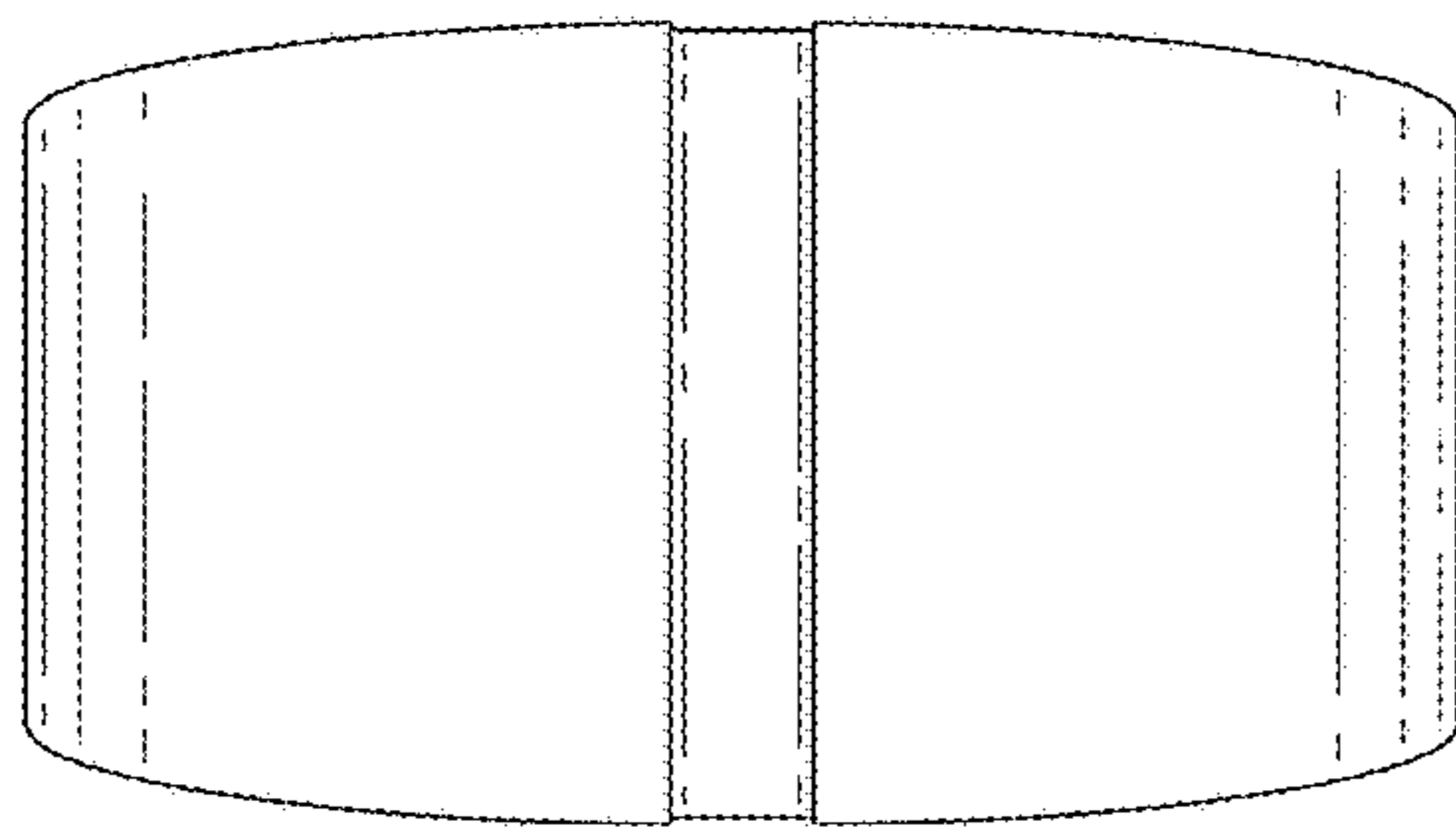


FIG. 4

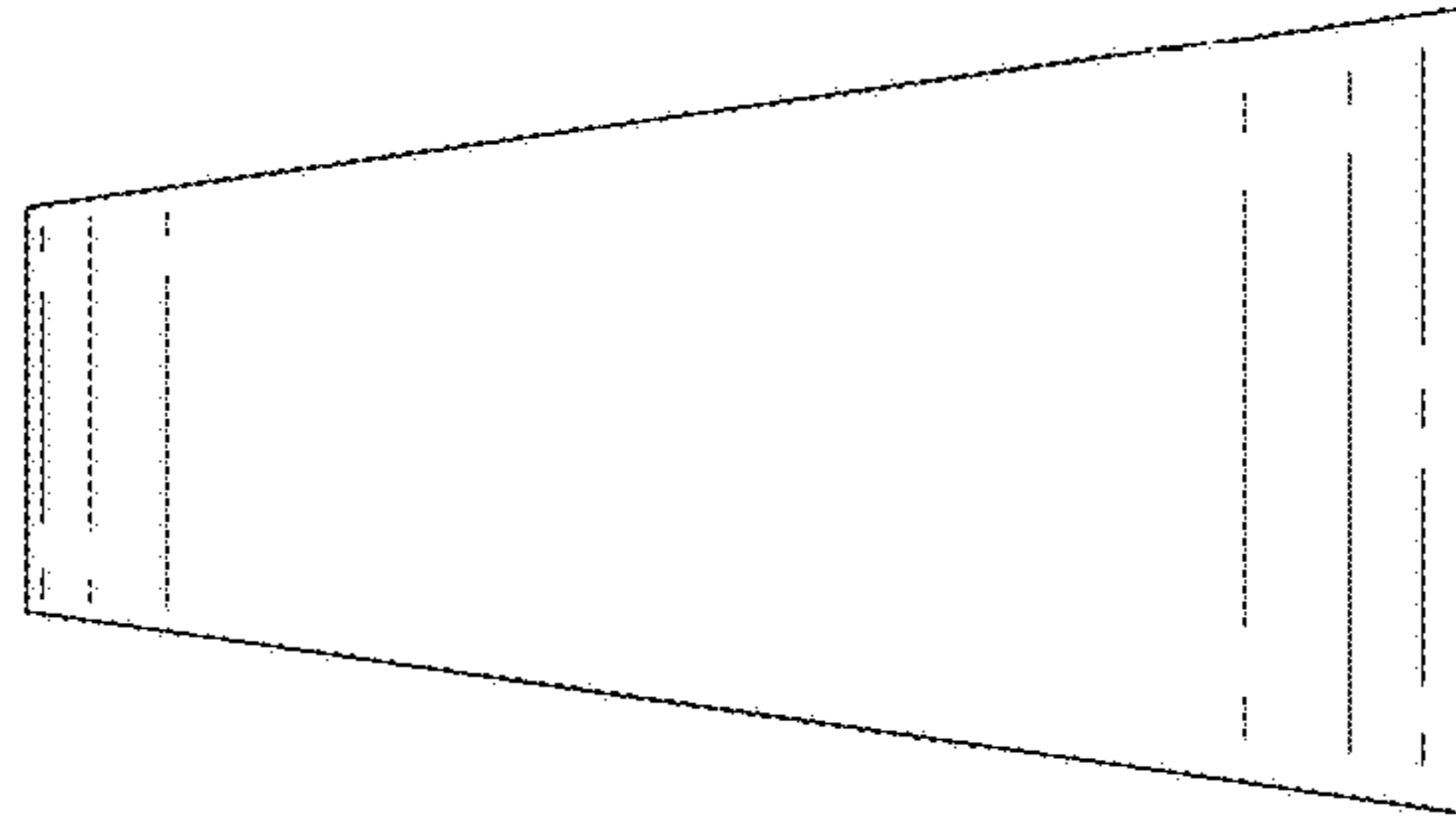


FIG. 5



FIG. 6

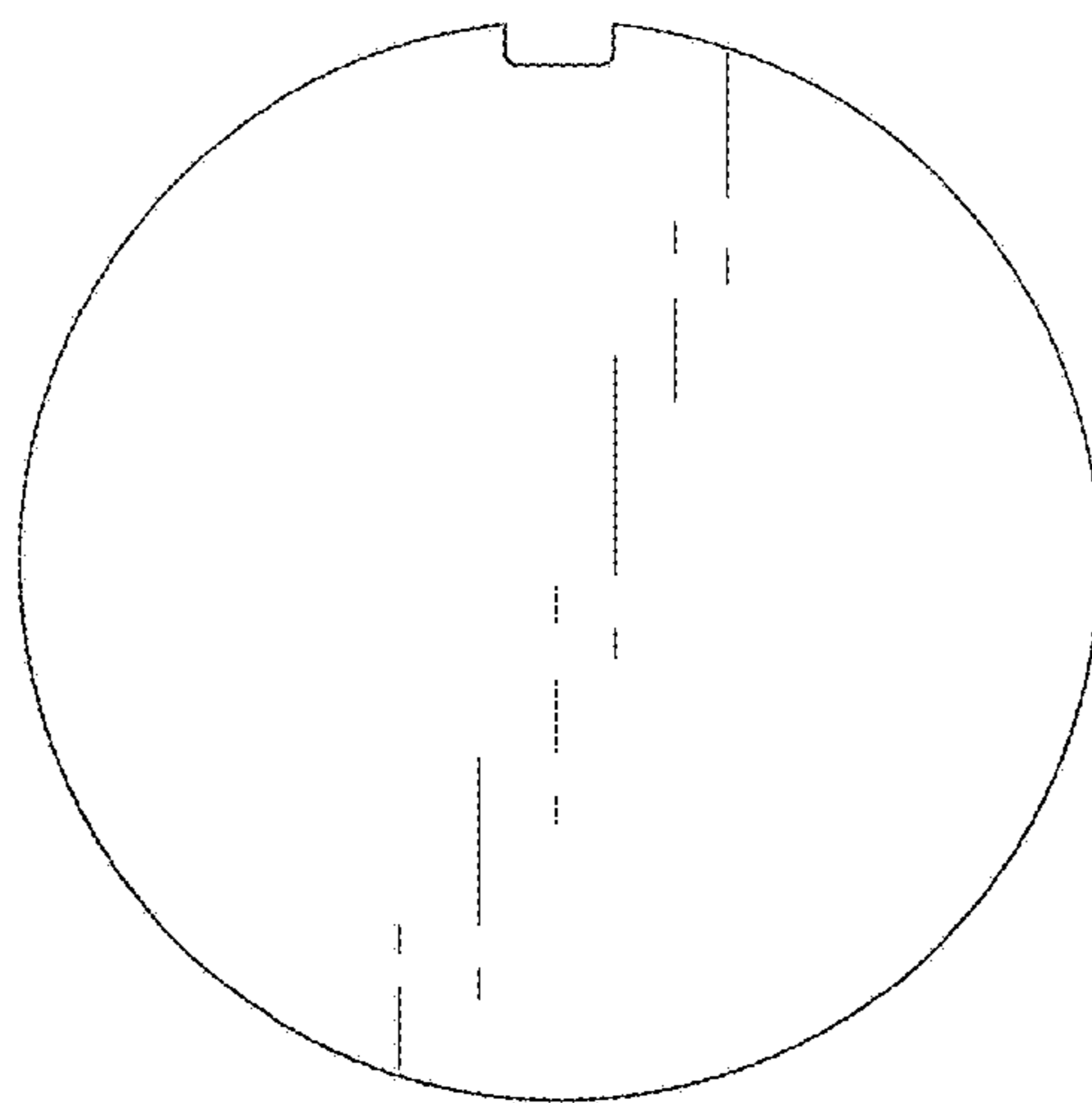


FIG. 7