



US00D849943S

(12) **United States Design Patent** (10) **Patent No.:** **US D849,943 S**
Kim (45) **Date of Patent:** **** May 28, 2019**

(54) **DENTAL INSTRUMENT**

(71) Applicant: **Sung Joo Kim**, Gyeonggi-do (KR)

(72) Inventor: **Sung Joo Kim**, Gyeonggi-do (KR)

(**) Term: **15 Years**

(21) Appl. No.: **35/504,590**

(22) Filed: **Sep. 15, 2017**

(80) **Hague Agreement Data**

Int. Filing Date: **Sep. 15, 2017**

Int. Reg. No.: **DM/098328**

Int. Reg. Date: **Sep. 15, 2017**

Int. Reg. Pub. Date: **Mar. 16, 2018**

(51) **LOC (11) Cl.** **24-02**

(52) **U.S. Cl.**
USPC **D24/152**

(58) **Field of Classification Search**
USPC D24/147, 152, 156, 221
CPC A61C 5/42; A61C 5/40; A61C 5/50
See application file for complete search history.

(56) **References Cited**

U.S. PATENT DOCUMENTS

- 6,106,296 A * 8/2000 Johnson A61C 5/42
433/102
- 6,267,592 B1 * 7/2001 Mays A61B 17/1615
433/102
- 2007/0197099 A1 * 8/2007 DiStefano H01R 13/2407
439/620.1
- 2010/0105004 A1 * 4/2010 Levy A61C 5/42
433/102

- 2010/0145449 A1 * 6/2010 Makower A61F 2/08
623/13.14
- 2011/0300506 A1 * 12/2011 Curry A61C 5/44
433/75
- 2013/0011815 A1 * 1/2013 Henig A61C 9/008
433/174
- 2015/0226210 A1 * 8/2015 Barito F04B 35/045
417/415
- 2015/0230902 A1 * 8/2015 Andreou A61C 19/041
433/27
- 2015/0314833 A1 * 11/2015 Betcher B63B 21/26
405/224.1
- 2016/0115948 A1 * 4/2016 Barito F16F 1/025
417/415
- 2018/0128418 A1 * 5/2018 Bullard F16F 3/02
- 2018/0259023 A1 * 9/2018 Hofbauer F01L 1/462
- 2018/0360561 A9 * 12/2018 Buchanan A61C 5/40

* cited by examiner

Primary Examiner — Michael A. Pratt

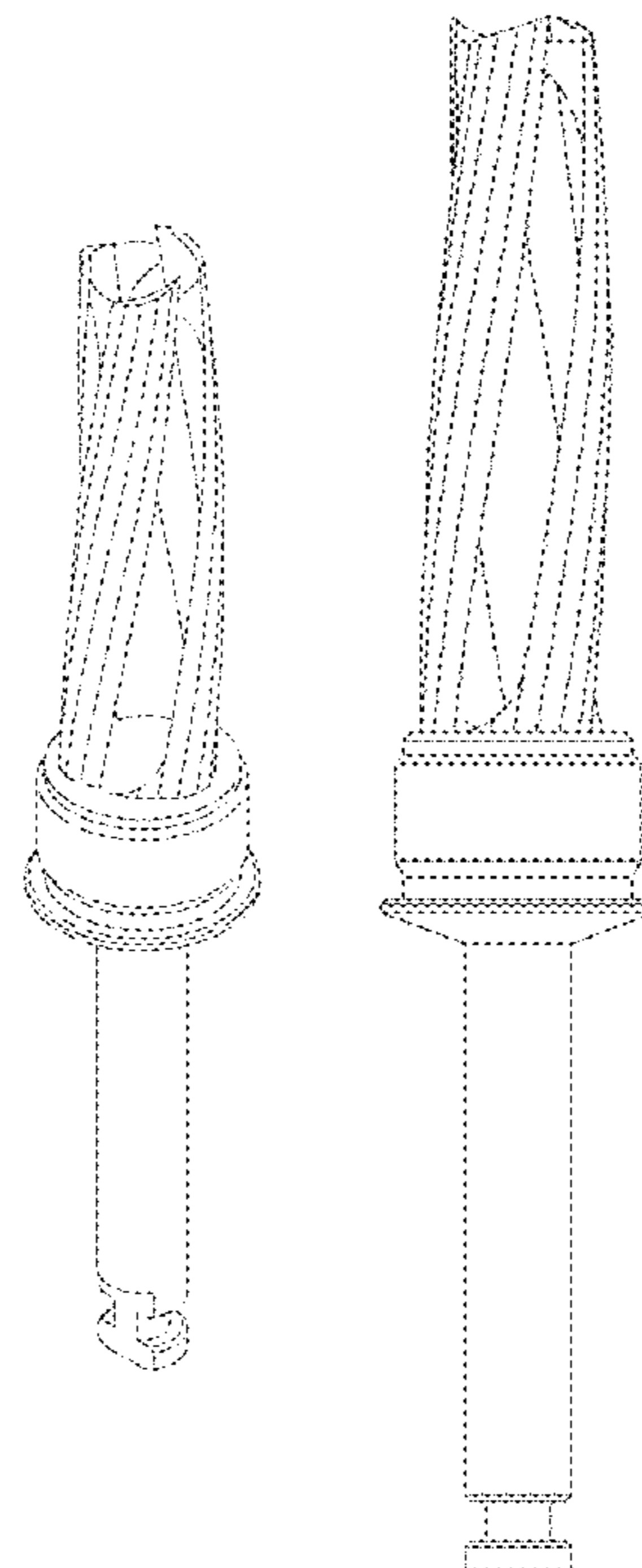
(57) **CLAIM**

The ornamental design for a dental instrument, as shown and described.

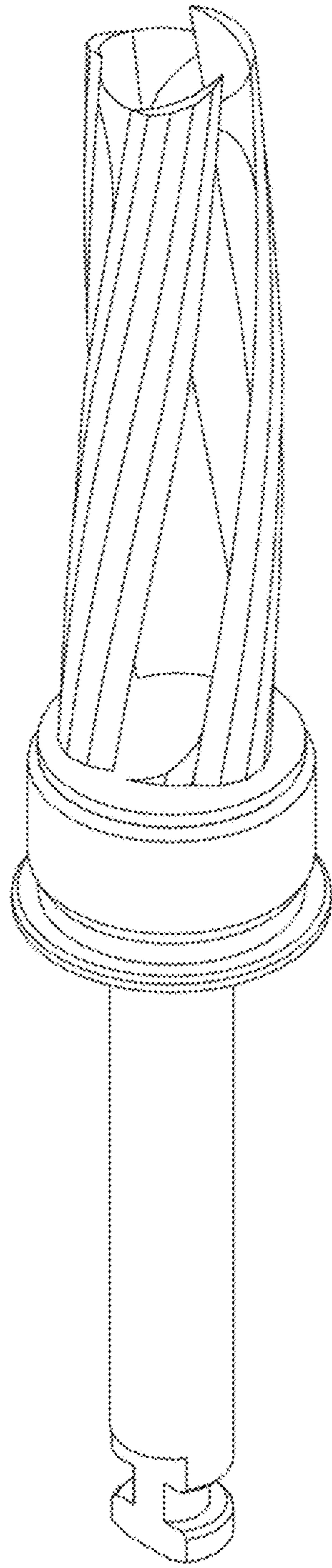
DESCRIPTION

- 1. Dental instrument
- 1.1 : Perspective
- 1.2 : Front
- 1.3 : Back
- 1.4 : Left
- 1.5 : Right
- 1.6 : Top
- 1.7 : Bottom
- 1.8 : Reference

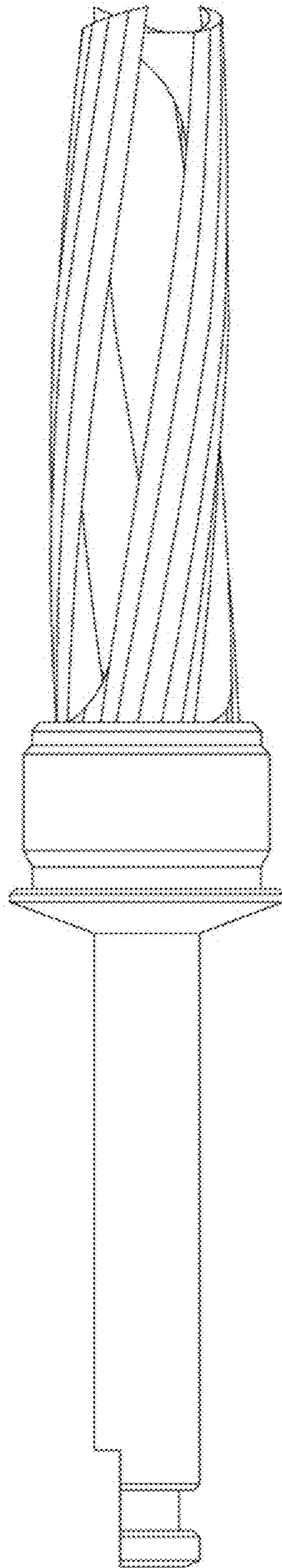
1 Claim, 8 Drawing Sheets



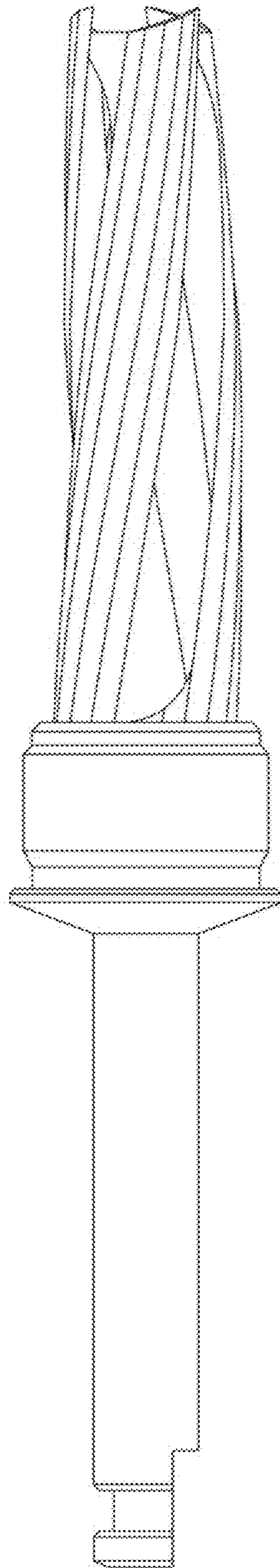
1.1



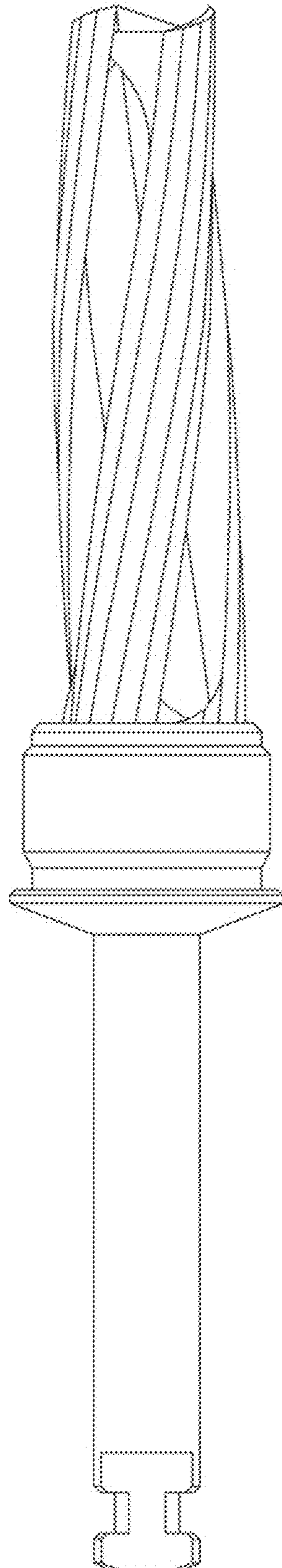
1.2



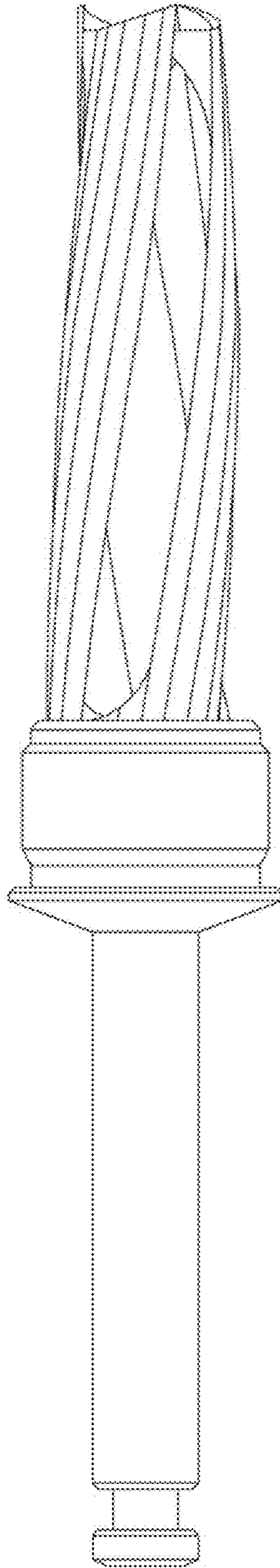
1.3



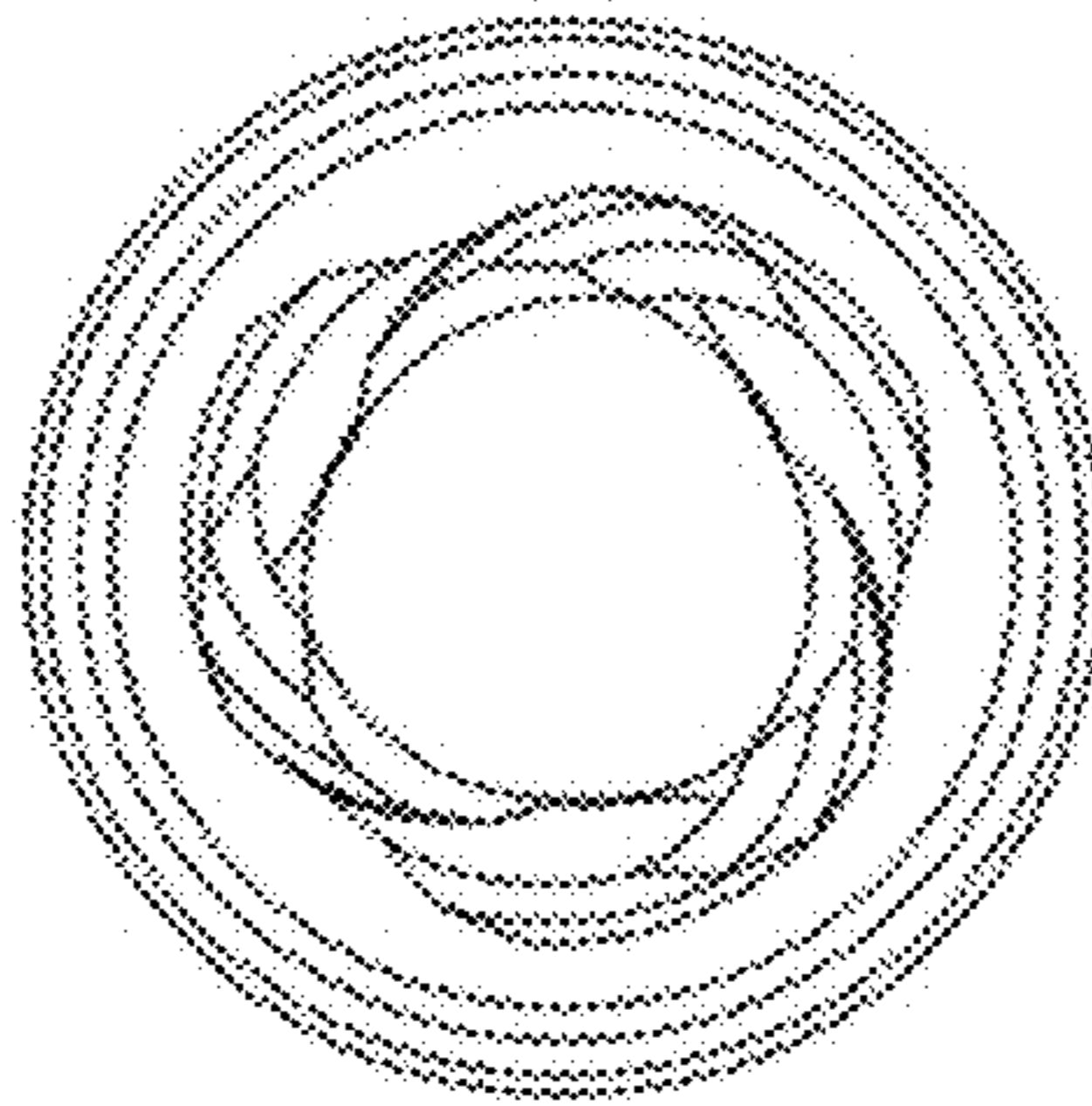
1.4



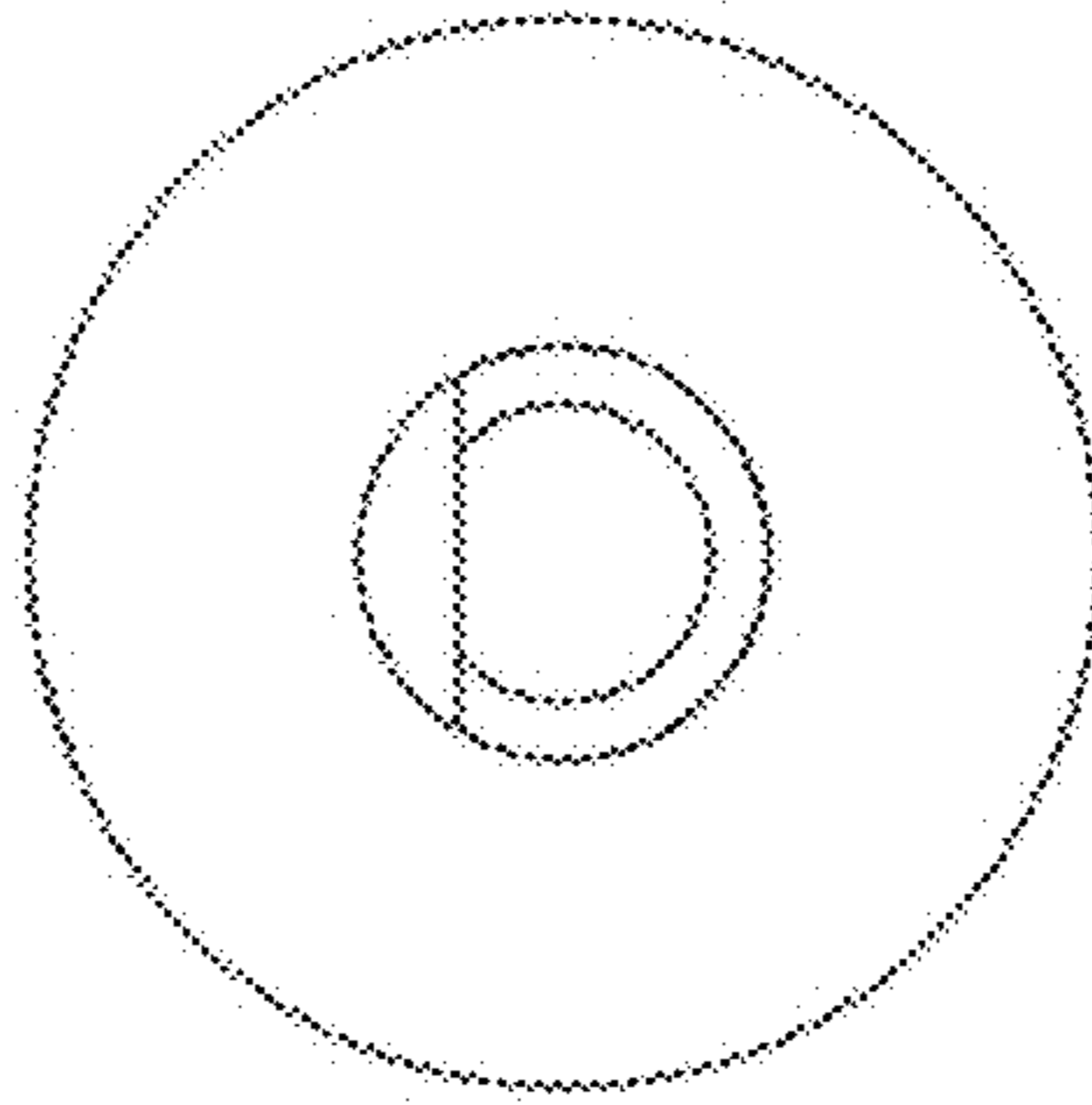
1.5



1.6



1.7



1.8

