



US00D849940S

(12) **United States Design Patent**
Kuwae et al.

(10) **Patent No.:** **US D849,940 S**
(45) **Date of Patent:** **** May 28, 2019**

(54) **ENDOSCOPE**

(71) Applicant: **FUJIFILM Corporation**, Tokyo (JP)

(72) Inventors: **Toshiharu Kuwae**, Ashigarakami-gun (JP); **Yuta Kawamoto**, Ashigarakami-gun (JP); **Takeshi Yukiiri**, Ashigarakami-gun (JP)

(73) Assignee: **FUJIFILM Corporation**, Tokyo (JP)

(**) Term: **15 Years**

(21) Appl. No.: **29/543,444**

(22) Filed: **Oct. 23, 2015**

(30) **Foreign Application Priority Data**

Apr. 24, 2015 (JP) 2015-009330

(51) **LOC (11) Cl.** **24-02**

(52) **U.S. Cl.**
USPC **D24/138**

(58) **Field of Classification Search**
USPC D24/133, 137, 138, 146; D9/454, 551, D9/686, 445, 449

(Continued)

(56) **References Cited**

U.S. PATENT DOCUMENTS

6,311,878 B1 * 11/2001 Kimble B65D 47/0814
222/494
6,454,702 B1 * 9/2002 Smith A61B 1/015
600/104

(Continued)

FOREIGN PATENT DOCUMENTS

JP D1236464 S 4/2005
JP 2008-148935 A 7/2008

(Continued)

OTHER PUBLICATIONS

Japanese Office Action, dated Nov. 12, 2015, for Japanese Application No. 2015-009330, with a partial English translation.

Primary Examiner — Eliza Z Bennett-Hattan

(74) *Attorney, Agent, or Firm* — Birch, Stewart, Kolasch & Birch, LLP

(57) **CLAIM**

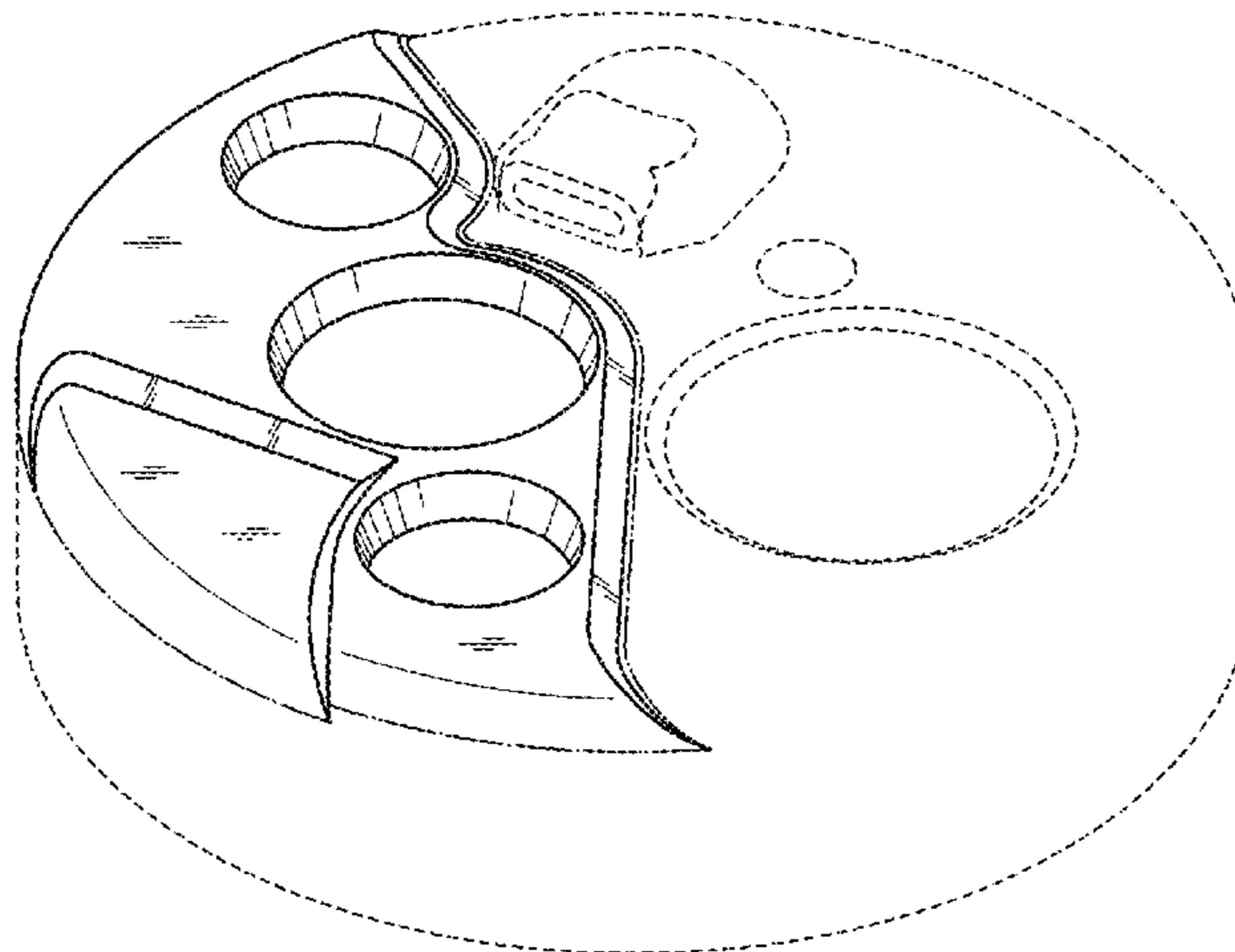
The ornamental design for an endoscope, as shown and described.

DESCRIPTION

FIG. 1 is a perspective view showing our new design; FIG. 2 is an enlarged partial perspective view thereof; FIG. 3 is a front view of an endoscope thereof; FIG. 4 is a rear view thereof; FIG. 5 is a plan view thereof; FIG. 6 is a bottom view thereof; FIG. 7 is a right side view thereof; FIG. 8 is a left side view thereof; FIG. 9 is an enlarged partial left side view of line 10-10 section of FIG. 3; FIG. 10 is an enlarged partial view taken along line 10-10 section of FIG. 3; FIG. 11 is an enlarged partial view taken along line 11-11 of FIG. 4; FIG. 12 is an enlarged partial view taken along line 12-12 of FIG. 5; FIG. 13 is an enlarged partial view taken along line 13-13 of FIG. 6; FIG. 14 is an view from line 14-14 of FIG. 10; and, FIG. 15 is a sectional view which omits internal mechanism and is taken along line 15-15 of FIG. 14.

The details outlined in dashed broken lines depict unclaimed portions of the endoscope and form no part of the claim. The appearance of any portion of the article between the intermediate omitted portion forms no part of the claimed design.

1 Claim, 10 Drawing Sheets



(58) **Field of Classification Search**

CPC A61B 1/00096; A61B 1/018
See application file for complete search history.

(56) **References Cited**

U.S. PATENT DOCUMENTS

D475,925	S *	6/2003	Sturk	D9/435
D477,222	S *	7/2003	Pitassi	D9/435
D549,332	S *	8/2007	Matsumoto	D24/138
D664,654	S *	7/2012	Cuschieri	D24/135
D666,717	S *	9/2012	Hermle	D24/138
D720,068	S *	12/2014	Oberlaender	D24/133
D756,512	S *	5/2016	Oberlaender	D24/133
D810,935	S *	2/2018	Bresco Torras	D24/138
D811,878	S *	3/2018	Hamilton	D9/445
2005/0205589	A1 *	9/2005	Davis	A47G 19/2272 220/714
2008/0214895	A1 *	9/2008	Campos	A61B 1/0008 600/129
2010/0228091	A1 *	9/2010	Widenhouse	A61B 17/3423 600/203
2011/0112363	A1	5/2011	Koga et al.		
2011/0166425	A1 *	7/2011	Edelman	A61B 17/3421 600/208
2012/0226104	A1	9/2012	Ikeda et al.		
2016/0309994	A1 *	10/2016	Kuwae	A61B 1/00091
2017/0007105	A1 *	1/2017	Dejima	A61B 17/3421
2017/0007109	A1 *	1/2017	Dejima	A61B 17/3421

FOREIGN PATENT DOCUMENTS

JP	2011-120863	A	6/2011
JP	2012-105709	A	6/2012
JP	2012-115421	A	6/2012
JP	2012-179221	A	9/2012
JP	2012-235970	A	12/2012

* cited by examiner

FIG. 1

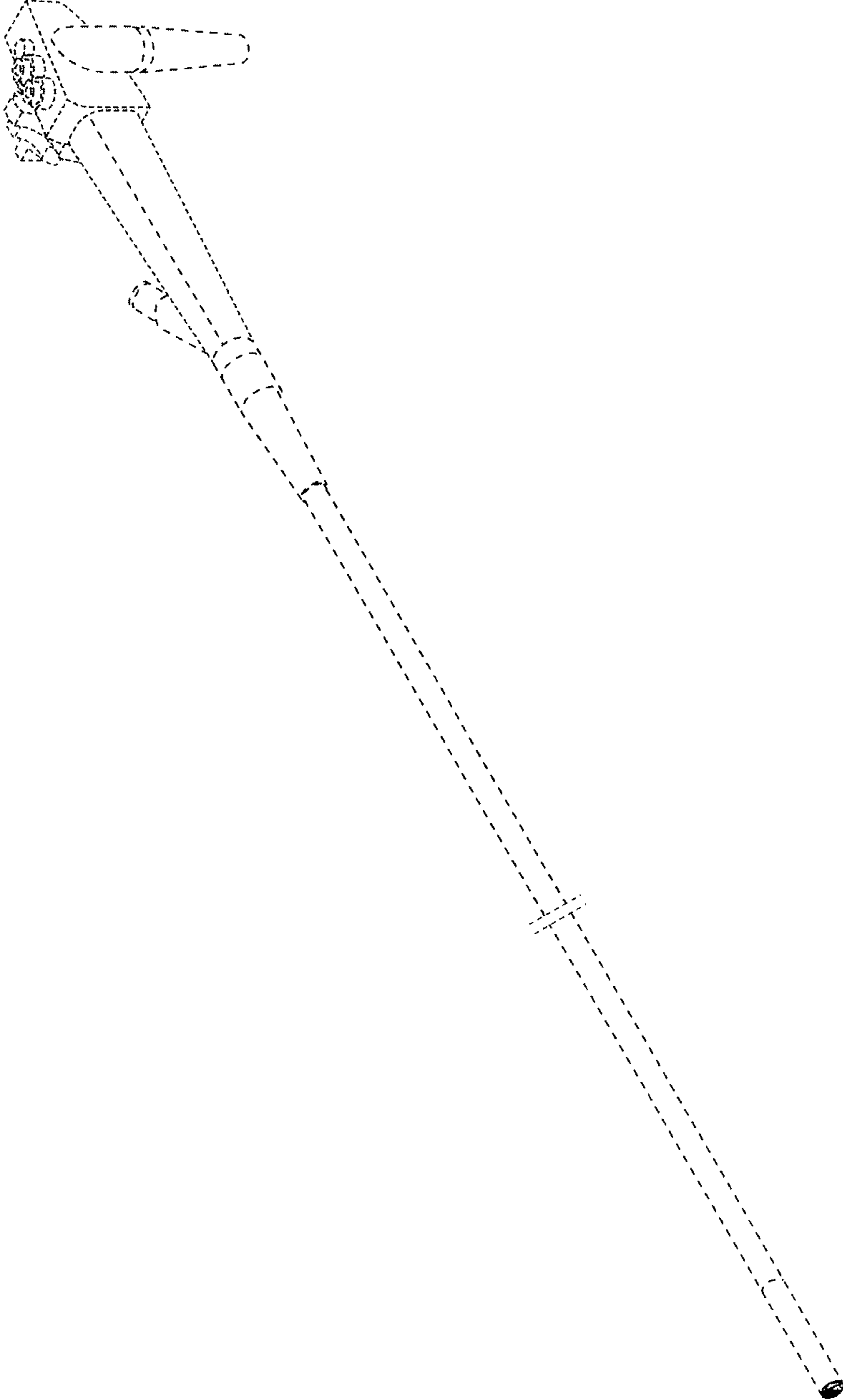


FIG. 2

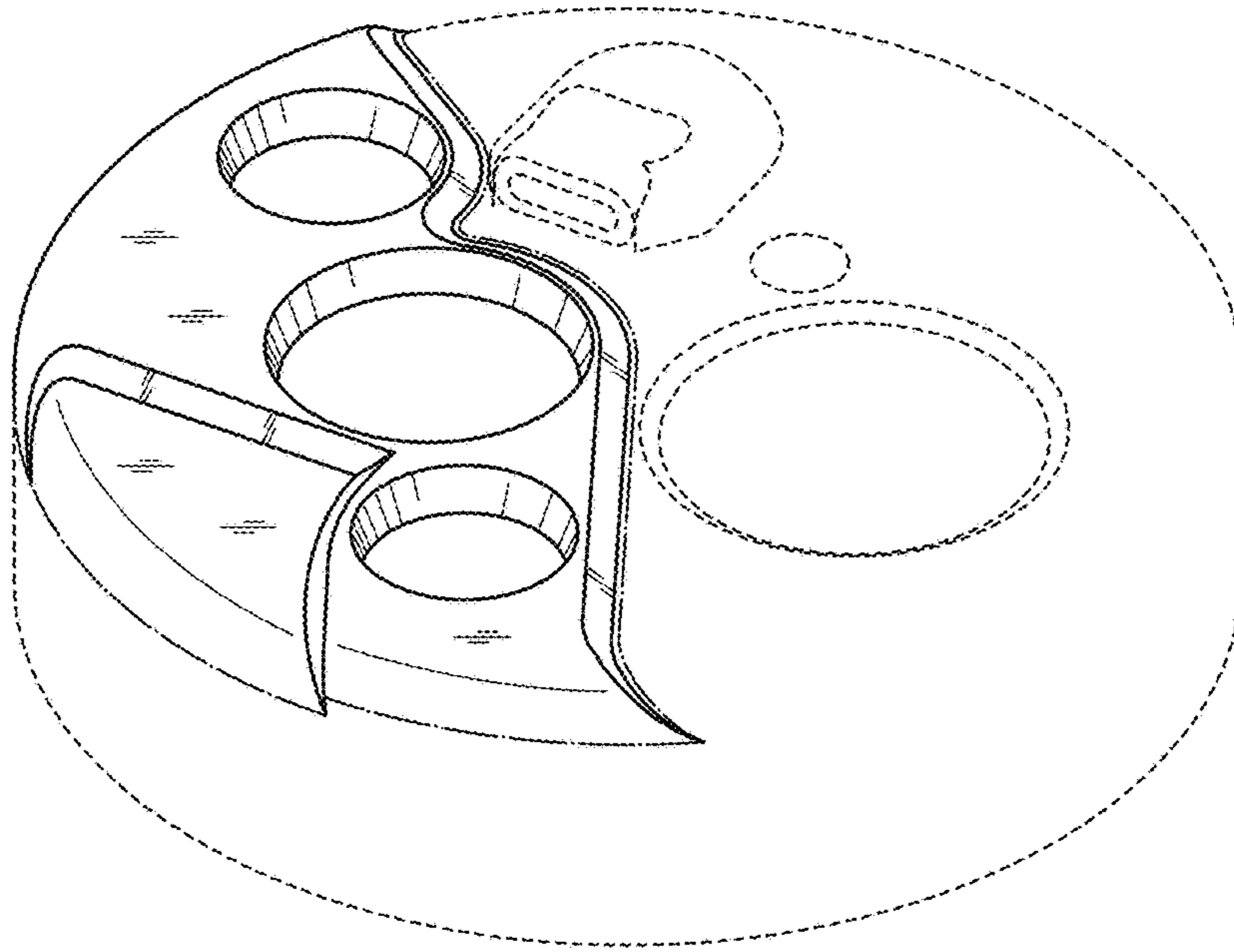


FIG. 3

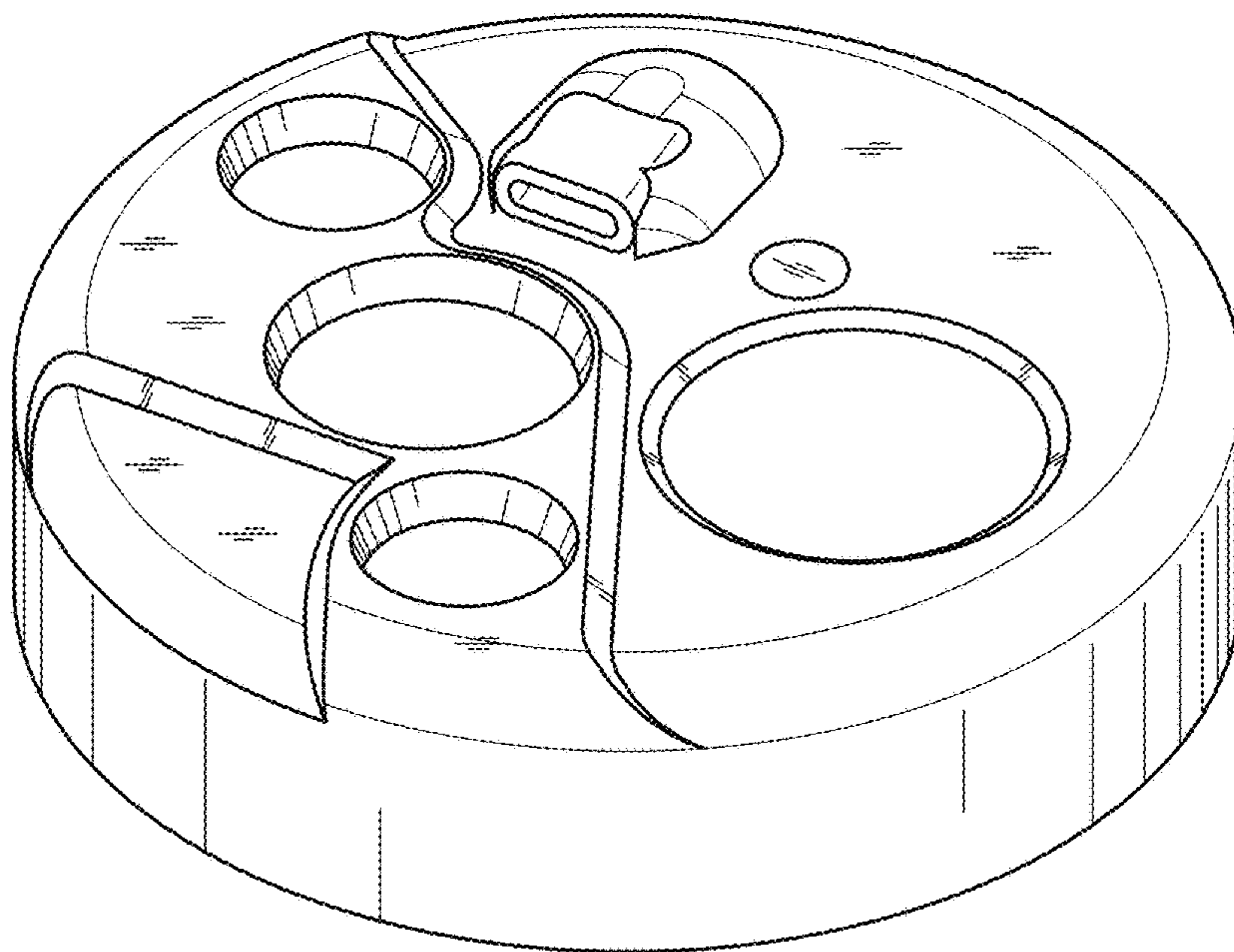


FIG. 4

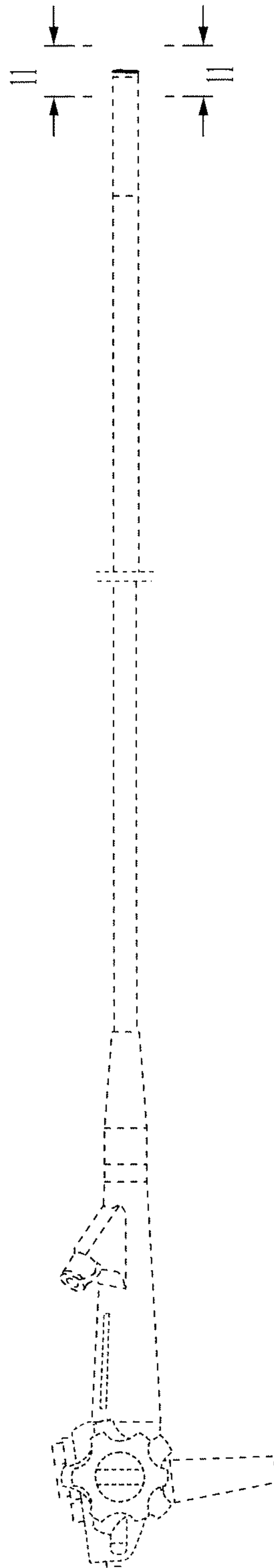


FIG. 5

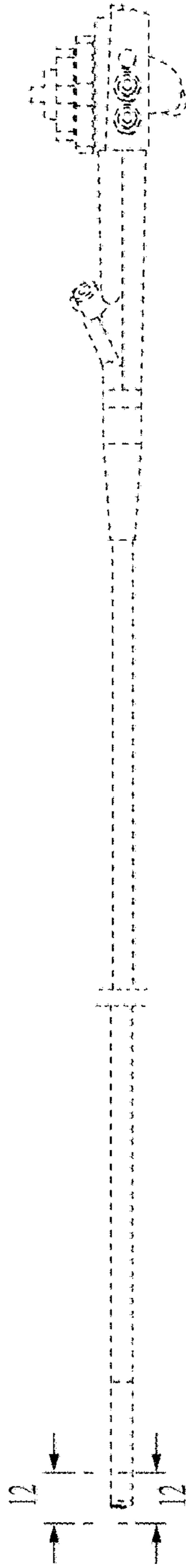


FIG. 6

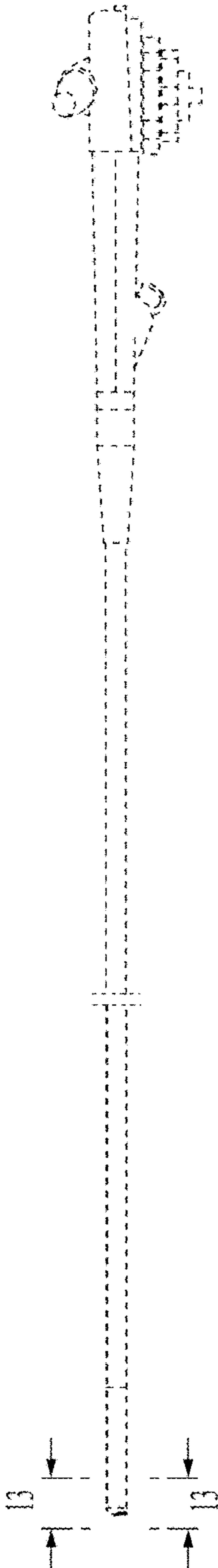


FIG. 7

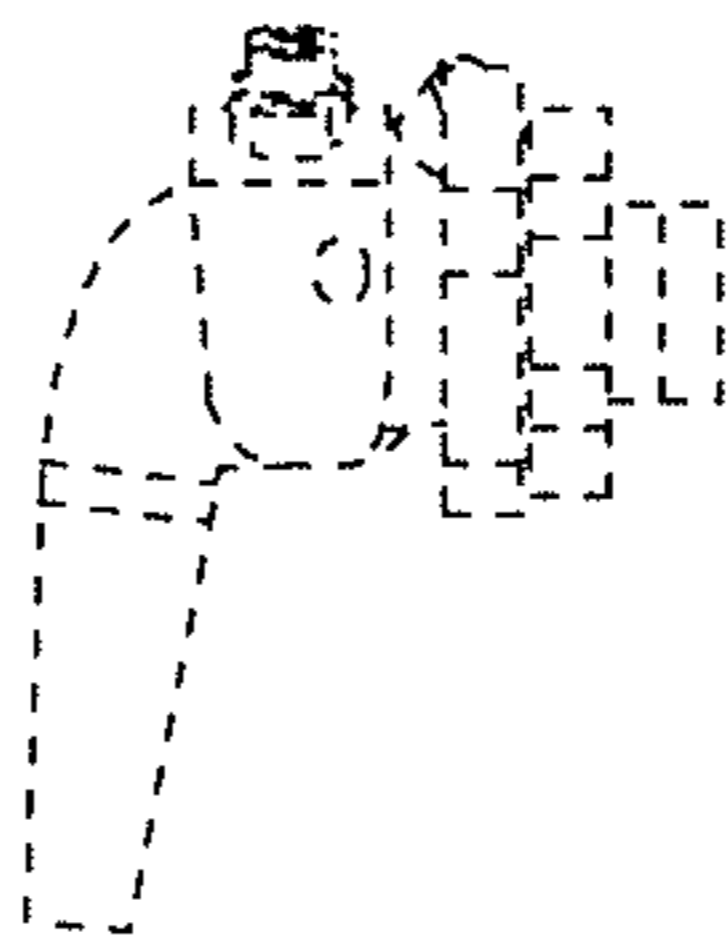


FIG. 8

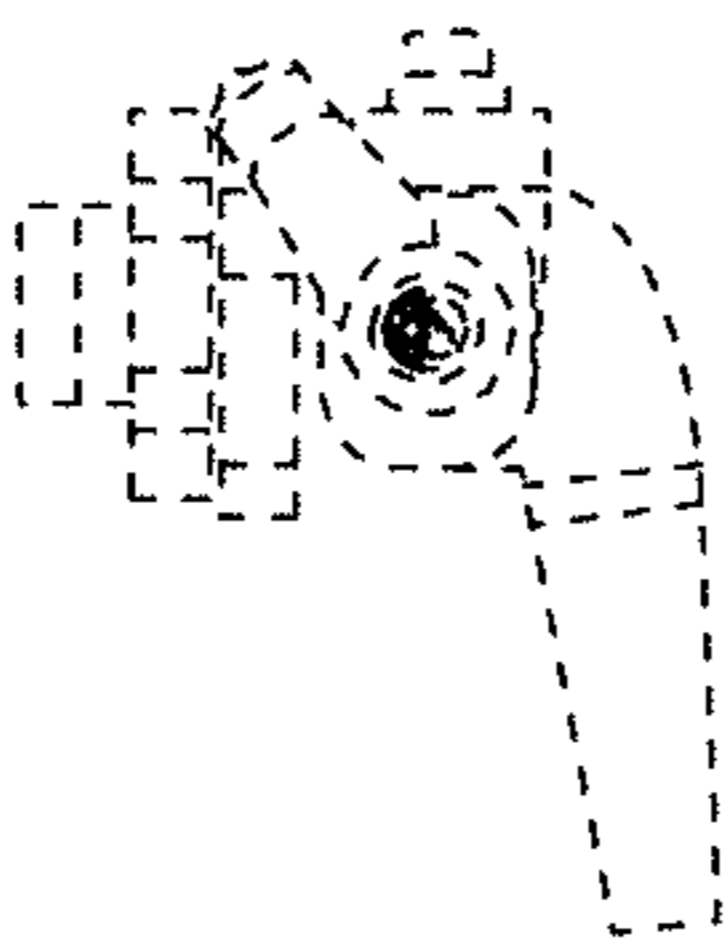


FIG. 9

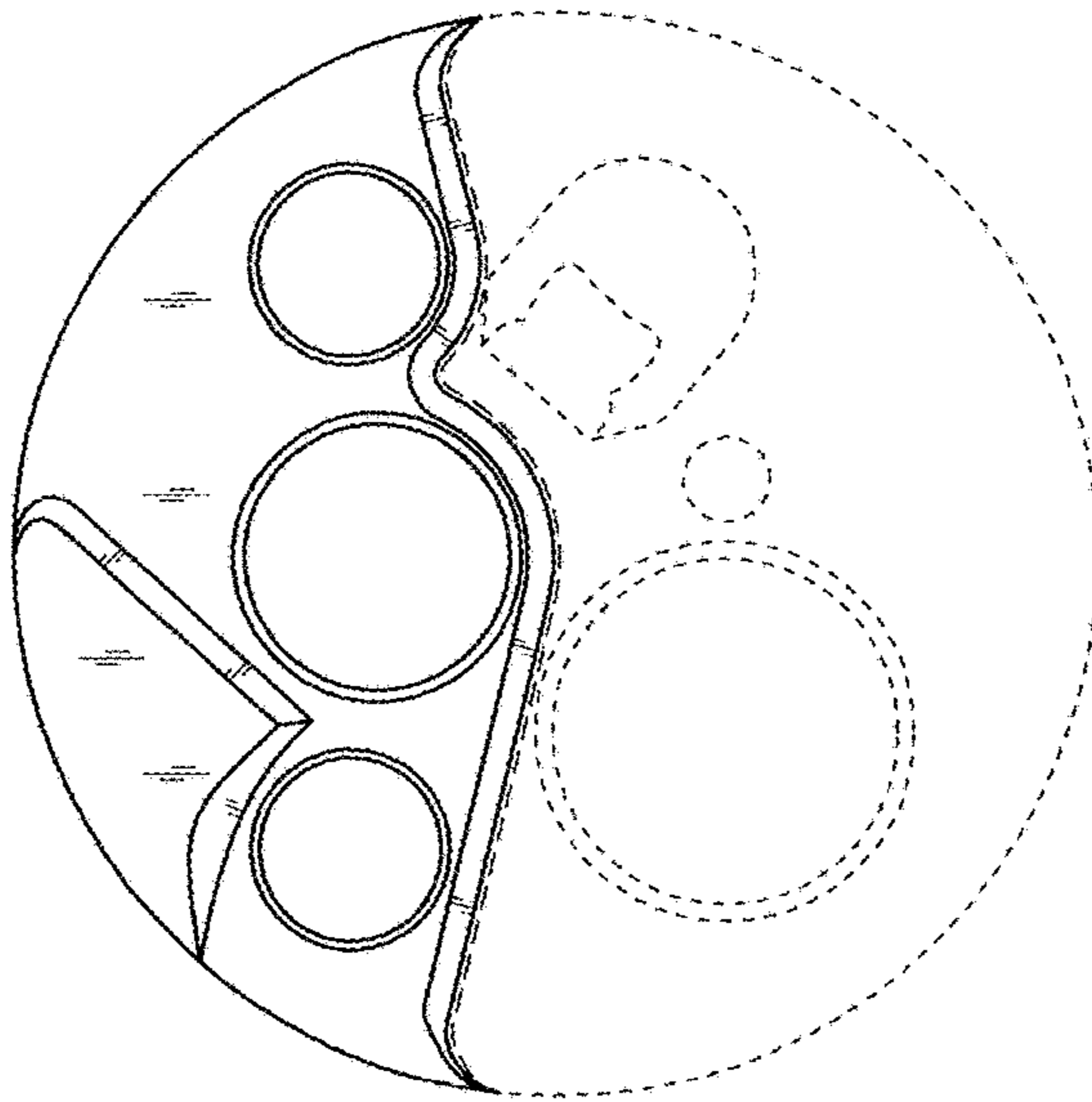


FIG. 10

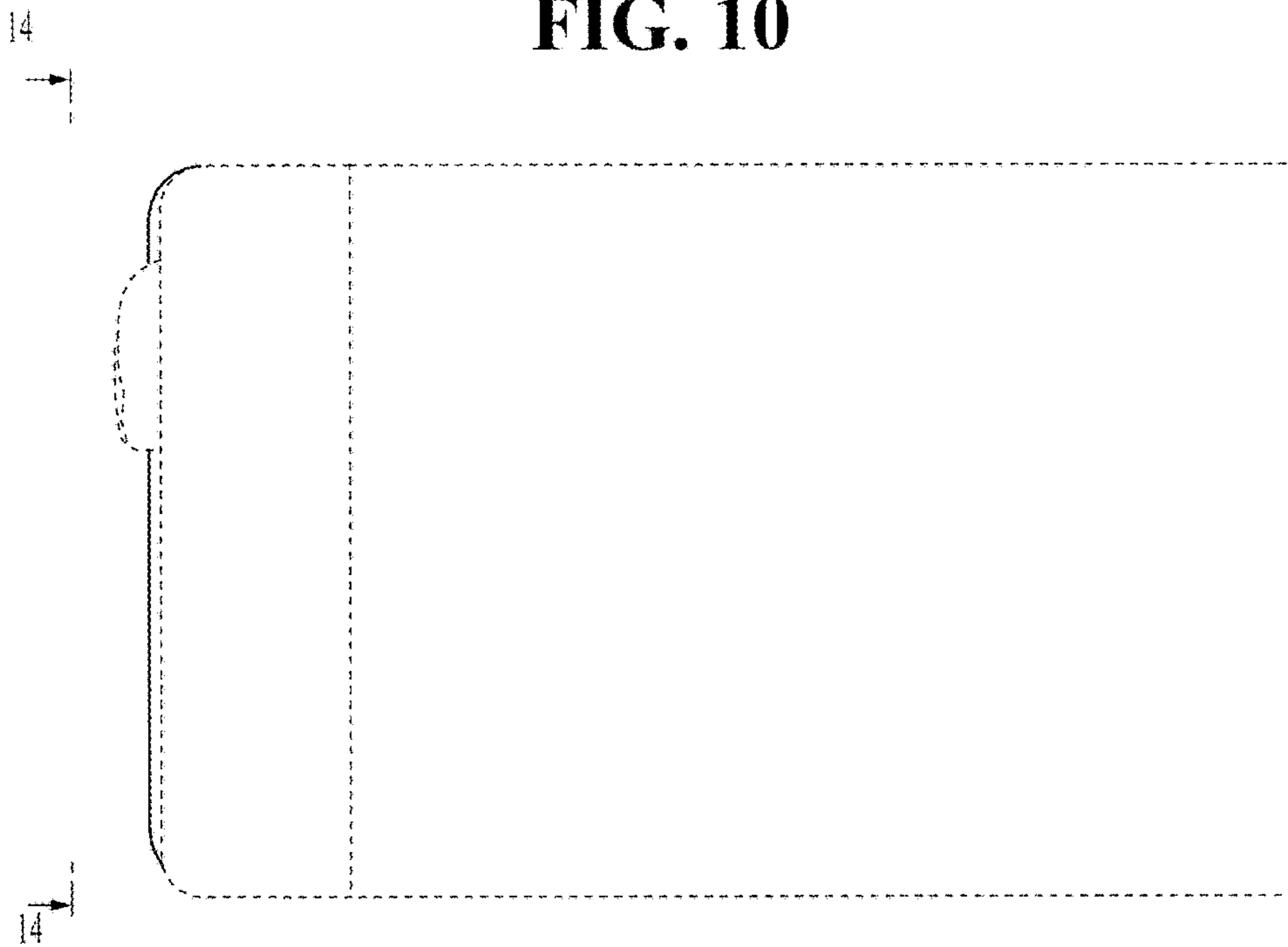


FIG. 11



FIG. 12



FIG. 13

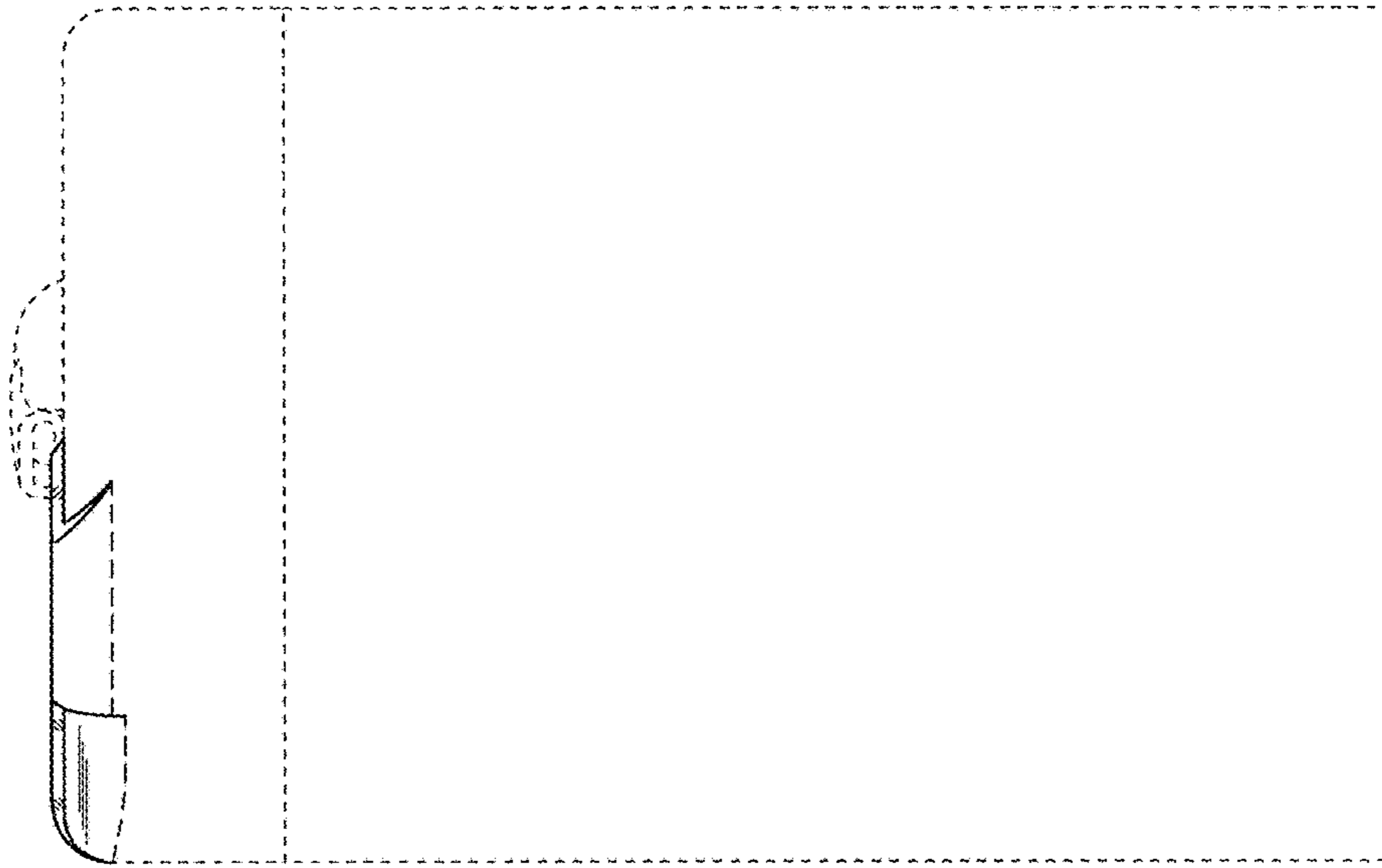


FIG. 14

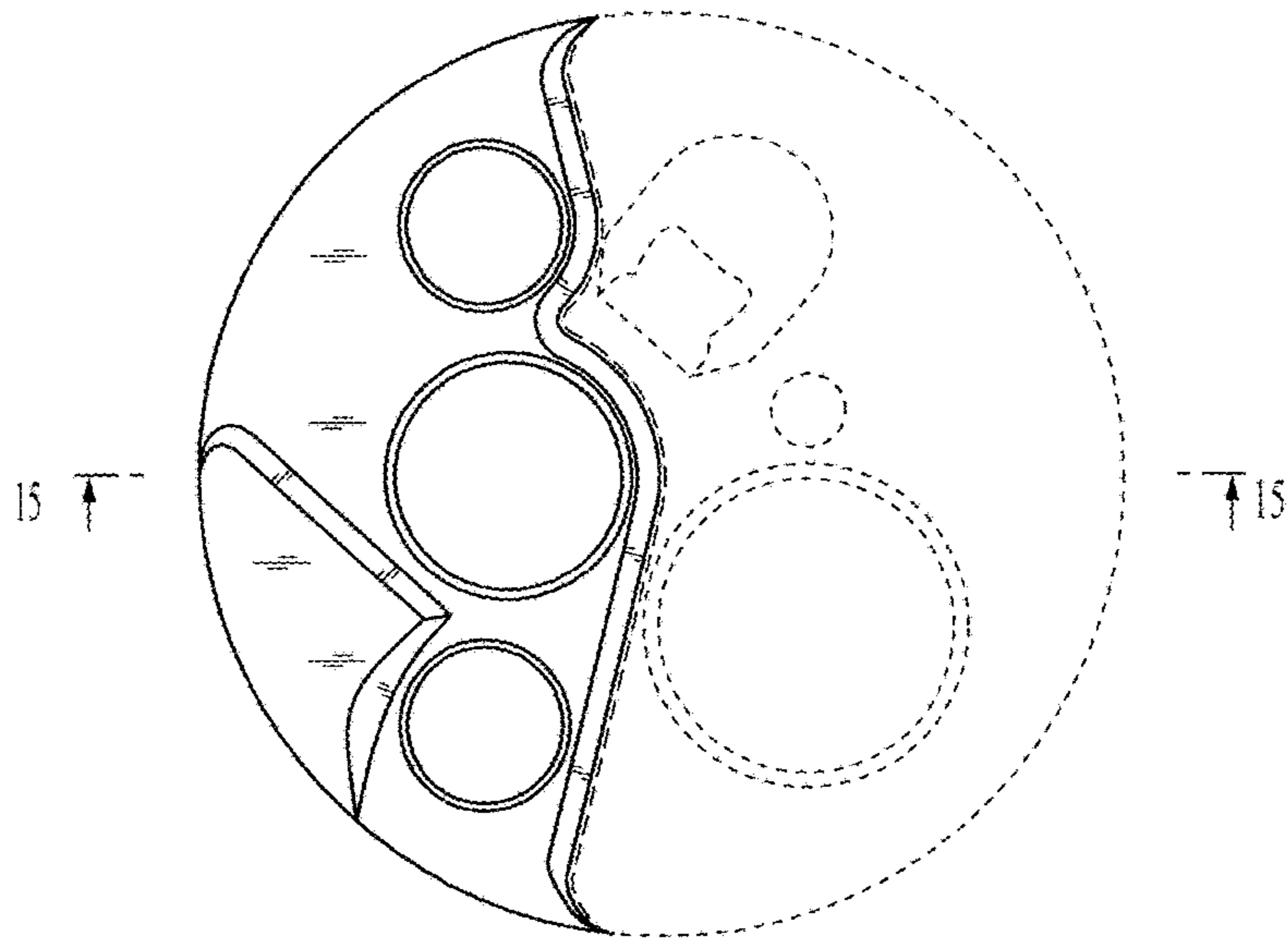


FIG. 15

