



US00D849938S

(12) **United States Design Patent**  
**Gloria Bello et al.**

(10) **Patent No.:** **US D849,938 S**

(45) **Date of Patent:** **\*\* May 28, 2019**

- (54) **DIALYSIS DEVICE CONNECTOR**
- (71) Applicant: **IDE TECNOLOGIA S.A de C.V.**,  
Guadalajara, Jalisco (MX)
- (72) Inventors: **Oscar Gloria Bello**, Guadalajara (MX);  
**Monica Montserrat Huerta**  
**Ruvalcaba**, Guadalajara (MX);  
**Roberto Krumm Cortes**, Guadalajara  
(MX); **Maria Paloma Franco**  
**Uruñuela**, Guadalajara (MX)
- (73) Assignee: **IDE TECNOLOGIA S.A. DE C.V.**,  
Guadalajara, Jalisco (MX)

- D315,583 S \* 3/1991 Larson ..... D21/662
- D340,976 S \* 11/1993 Garcia ..... D24/110
- 5,279,597 A \* 1/1994 Dassa ..... A61M 25/0111  
285/339
- 5,489,275 A \* 2/1996 Thompson ..... A61M 25/00  
604/111
- 5,569,222 A \* 10/1996 Haselhorst ..... A61M 39/10  
604/533
- 5,910,133 A \* 6/1999 Gould ..... A61B 17/320725  
604/164.03
- 5,947,954 A \* 9/1999 Bonaldo ..... A61M 39/26  
604/248
- 6,508,807 B1 \* 1/2003 Peters ..... A61M 39/1011  
604/533
- D473,646 S \* 4/2003 Baillargeon ..... D24/129
- D484,593 S \* 12/2003 Baillargeon ..... D24/129

- (\*\*) Term: **15 Years**
- (21) Appl. No.: **29/602,927**
- (22) Filed: **May 4, 2017**

(30) **Foreign Application Priority Data**

Nov. 7, 2016 (MX) ..... MX/f/2016/003434

(51) **LOC (11) Cl.** ..... **24-02**

(52) **U.S. Cl.**  
USPC ..... **D24/129**

(58) **Field of Classification Search**  
USPC ..... D24/129, 112-114, 130, 127, 104, 133,  
D24/186, 108; 606/181, 185; 604/264,  
604/272, 115, 164.01-164.09, 533, 232,  
604/187, 168.01, 192, 19, 48, 93.01, 523,  
604/524, 5, 26; 600/101, 139, 143;  
128/200.24, 207.14, 207.15; 601/67  
CPC ..... A61M 25/00; A61M 25/0014; A61M  
25/0097; A61M 25/0026

See application file for complete search history.

(56) **References Cited**

**U.S. PATENT DOCUMENTS**

- D288,365 S \* 2/1987 Larkin ..... D24/224
- D314,050 S \* 1/1991 Sone ..... D24/129

(Continued)

*Primary Examiner* — David G Muller

*Assistant Examiner* — Nathan M Johnston

(74) *Attorney, Agent, or Firm* — Schwabe Williamson &  
Wyatt, PC

(57) **CLAIM**

We claim the ornamental design for a dialysis device connector, as shown and described.

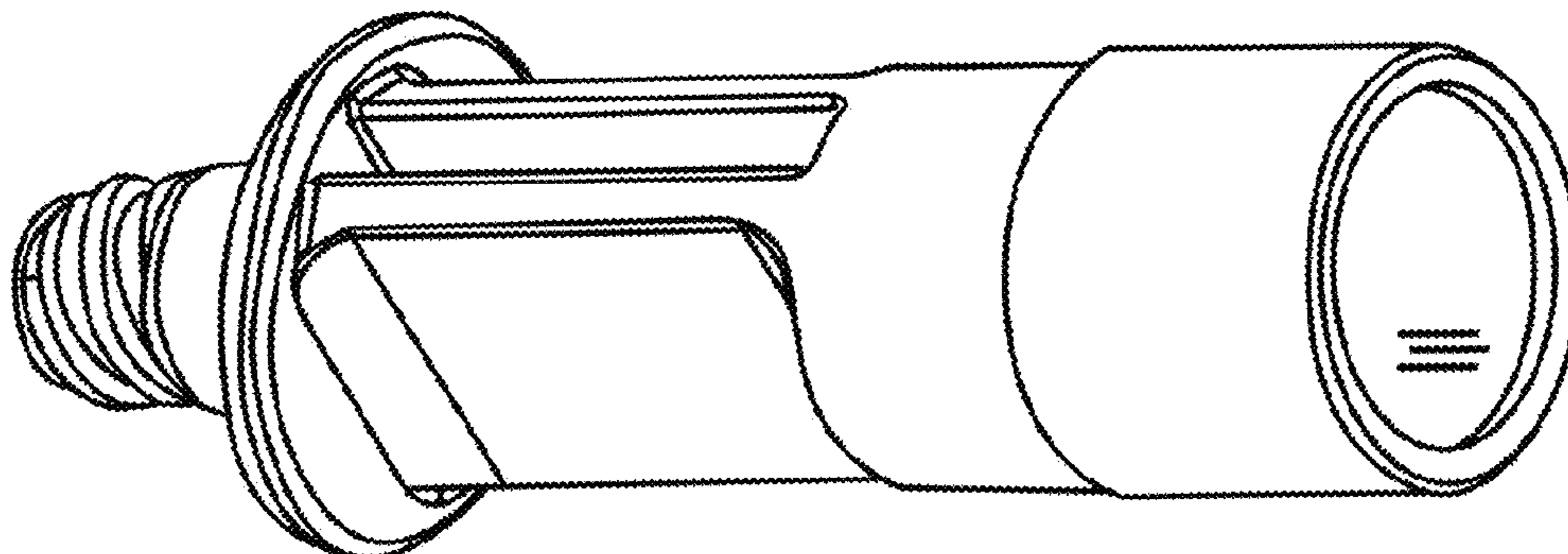
**DESCRIPTION**

FIG. 1 is a perspective side view of a dialysis device connector showing our new design;  
FIG. 2 is a right side elevation view thereof;  
FIG. 3 is a left side elevation view thereof;  
FIG. 4 is a right end elevation view thereof;  
FIG. 5 is a left end elevation view thereof;  
FIG. 6 is a top plan view thereof; and,  
FIG. 7 is a bottom plan view thereof.

The broken lines-show portions of the design that form no part of the claimed design.

The characteristic feature of the design resides in elongated body ending in a connector having threads.

**1 Claim, 7 Drawing Sheets**



(56)

References Cited

U.S. PATENT DOCUMENTS

D488,866 S *	4/2004	O'Dell	.....	D24/129	8,968,271 B2 *	3/2015	Guala	.....	A61M 39/10 604/533
6,719,737 B2 *	4/2004	Kobayashi	.....	A61M 5/3216 206/365	8,974,437 B2 *	3/2015	Williams	.....	A61M 39/1011 604/533
D546,946 S *	7/2007	Blake	.....	D24/129	D746,448 S *	12/2015	Wu	.....	D24/129
7,252,652 B2 *	8/2007	Moorehead	.....	A61M 25/0075 137/493	D773,659 S *	12/2016	Cain	.....	D24/129
D602,128 S *	10/2009	Williams	.....	D23/262	D784,529 S *	4/2017	Steele	.....	D24/129
D605,058 S *	12/2009	McGrath	.....	D9/424	2002/0099360 A1 *	7/2002	Bierman	.....	A61M 39/10 604/523
D613,873 S *	4/2010	Jia	.....	D24/224	2002/0133124 A1 *	9/2002	Leinsing	.....	A61M 39/26 604/256
D636,079 S *	4/2011	Leypold	.....	D24/129	2004/0143226 A1 *	7/2004	Marsden	.....	A61M 5/165 604/272
D639,939 S *	6/2011	Klockars	.....	D24/129	2006/0129089 A1 *	6/2006	Stamp	.....	A61M 5/30 604/93.01
D667,959 S *	9/2012	Lin	.....	D24/224	2007/0043334 A1 *	2/2007	Guala	.....	A61M 39/10 604/533
8,512,313 B2 *	8/2013	Atkinson	.....	A61M 25/0017 604/264	2013/0303844 A1 *	11/2013	Grudo	.....	A61B 1/00068 600/101
8,523,826 B2 *	9/2013	Layton, Jr.	.....	A61M 39/16 604/237	2015/0343195 A1 *	12/2015	Laufer	.....	A61M 39/22 604/256
D694,405 S *	11/2013	Khalaj	.....	D24/130					
8,690,120 B2 *	4/2014	Hartnett	.....	A61M 39/22 251/252					
8,814,849 B1 *	8/2014	Winsor	.....	A61M 39/24 604/284					

\* cited by examiner

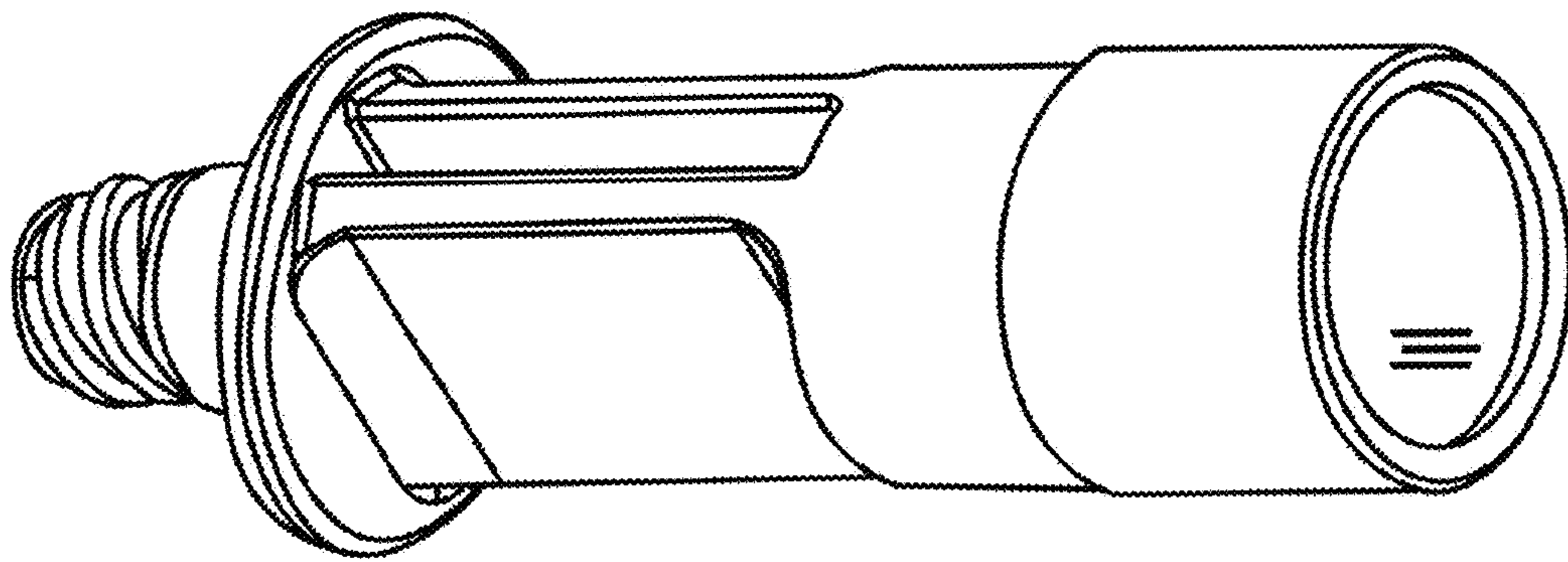


FIG. 1

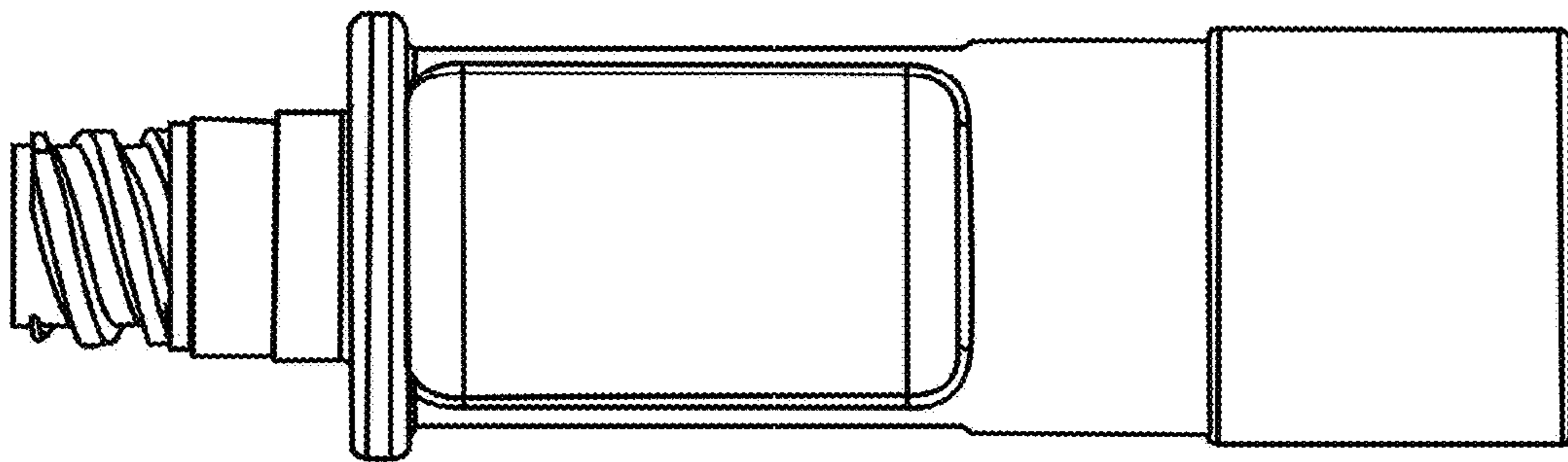


FIG. 2

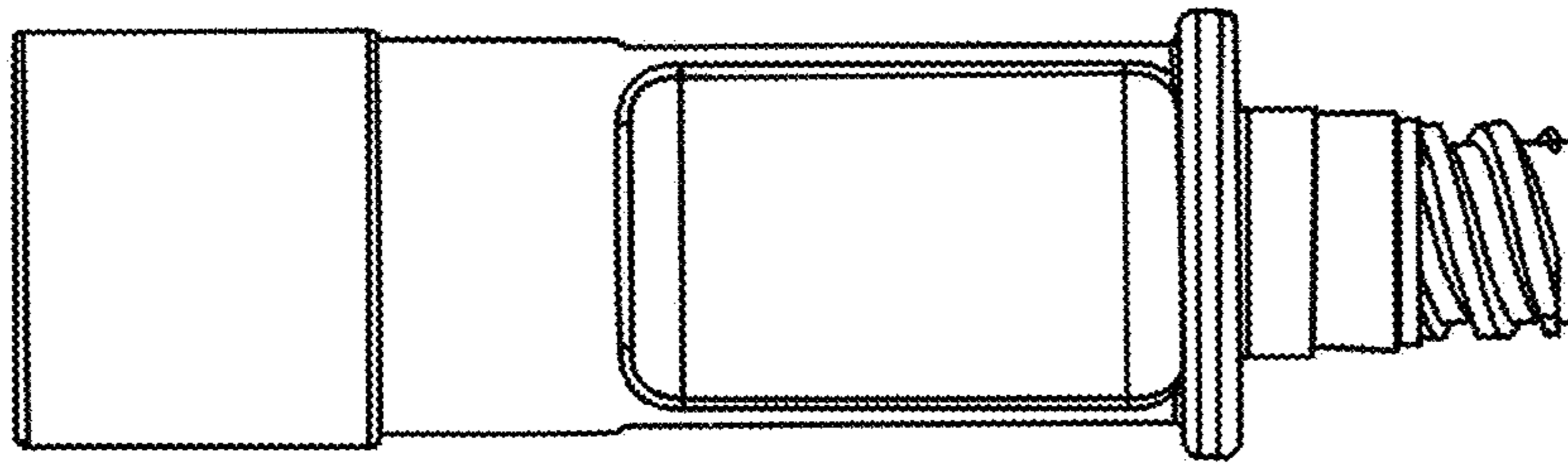


FIG. 3

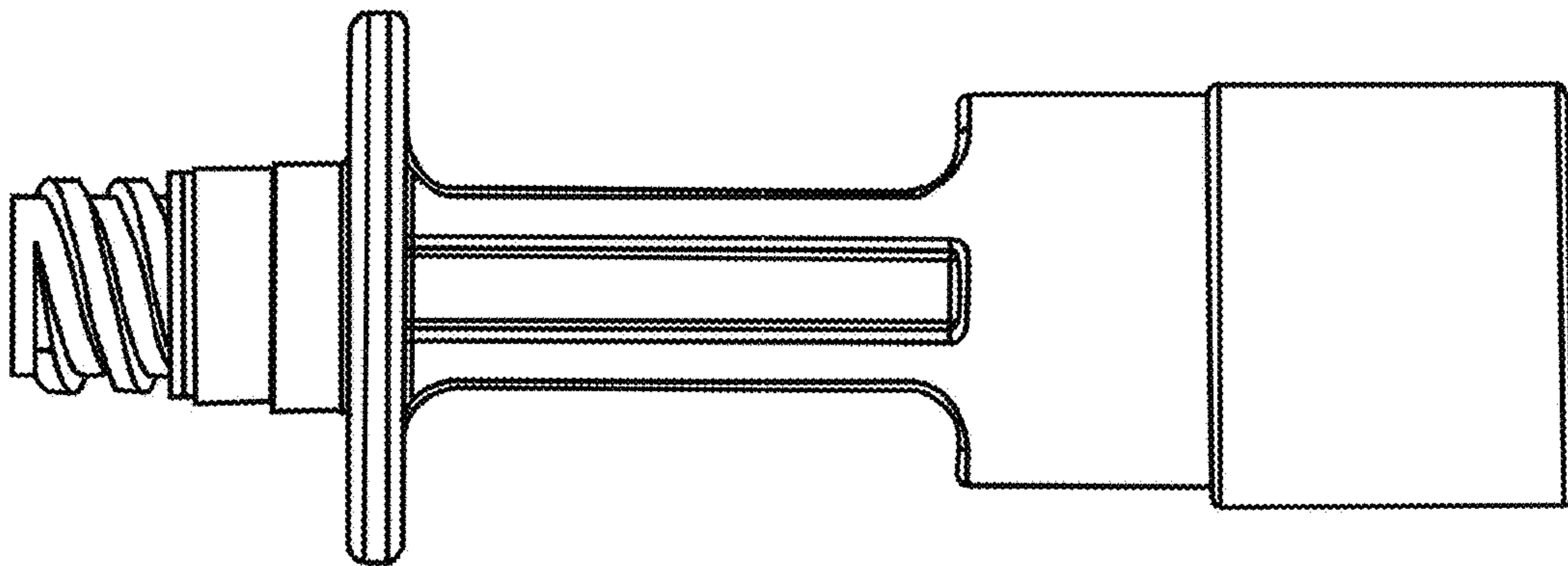


FIG. 4

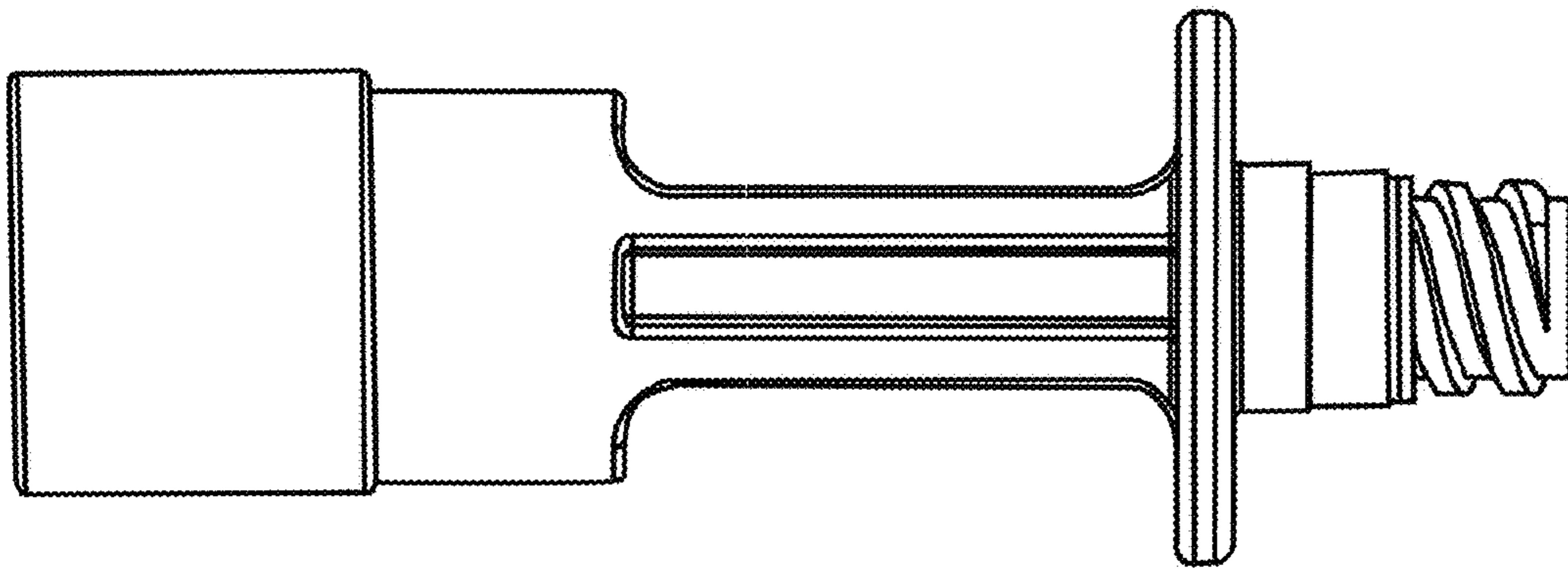


FIG. 5

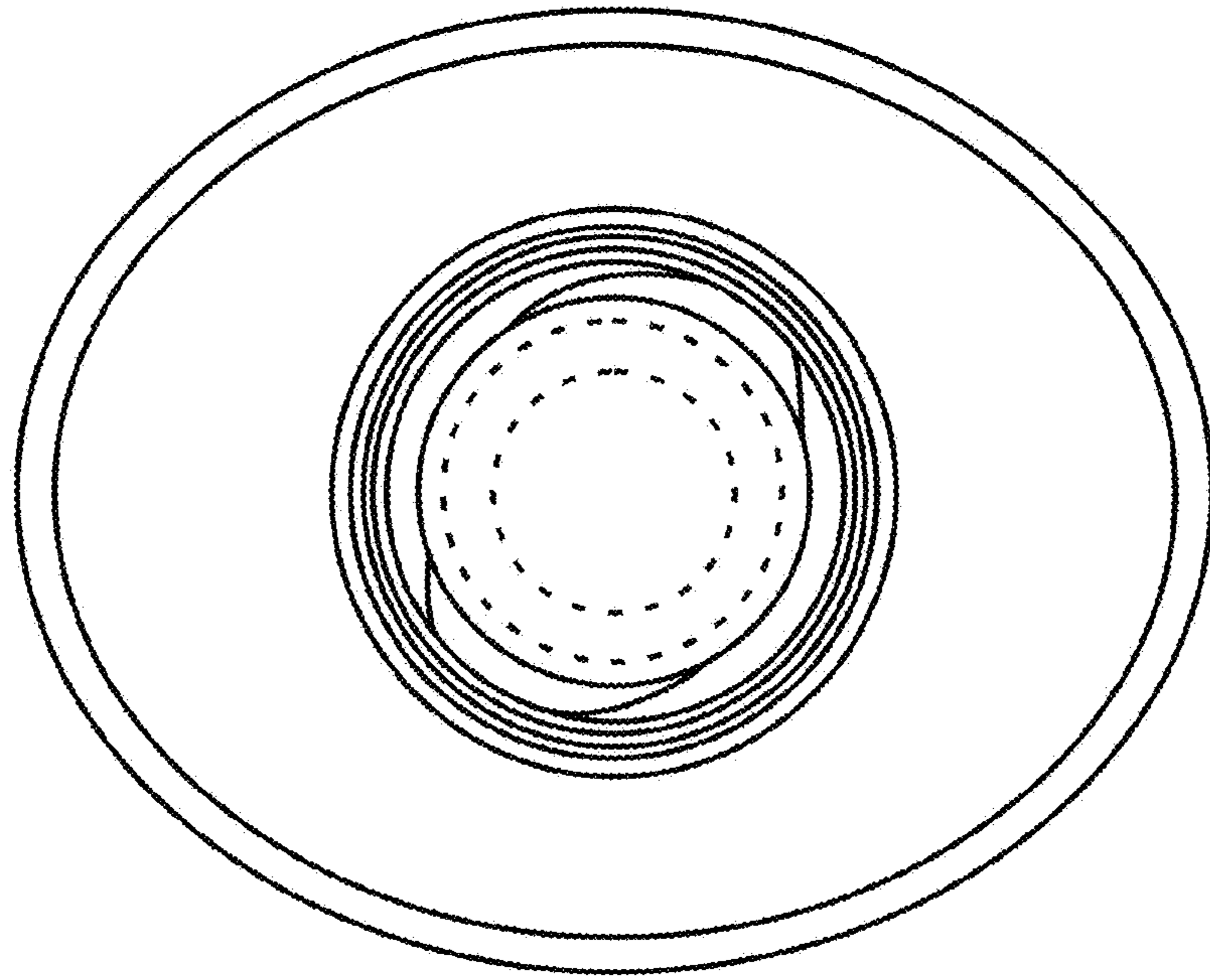


FIG. 6



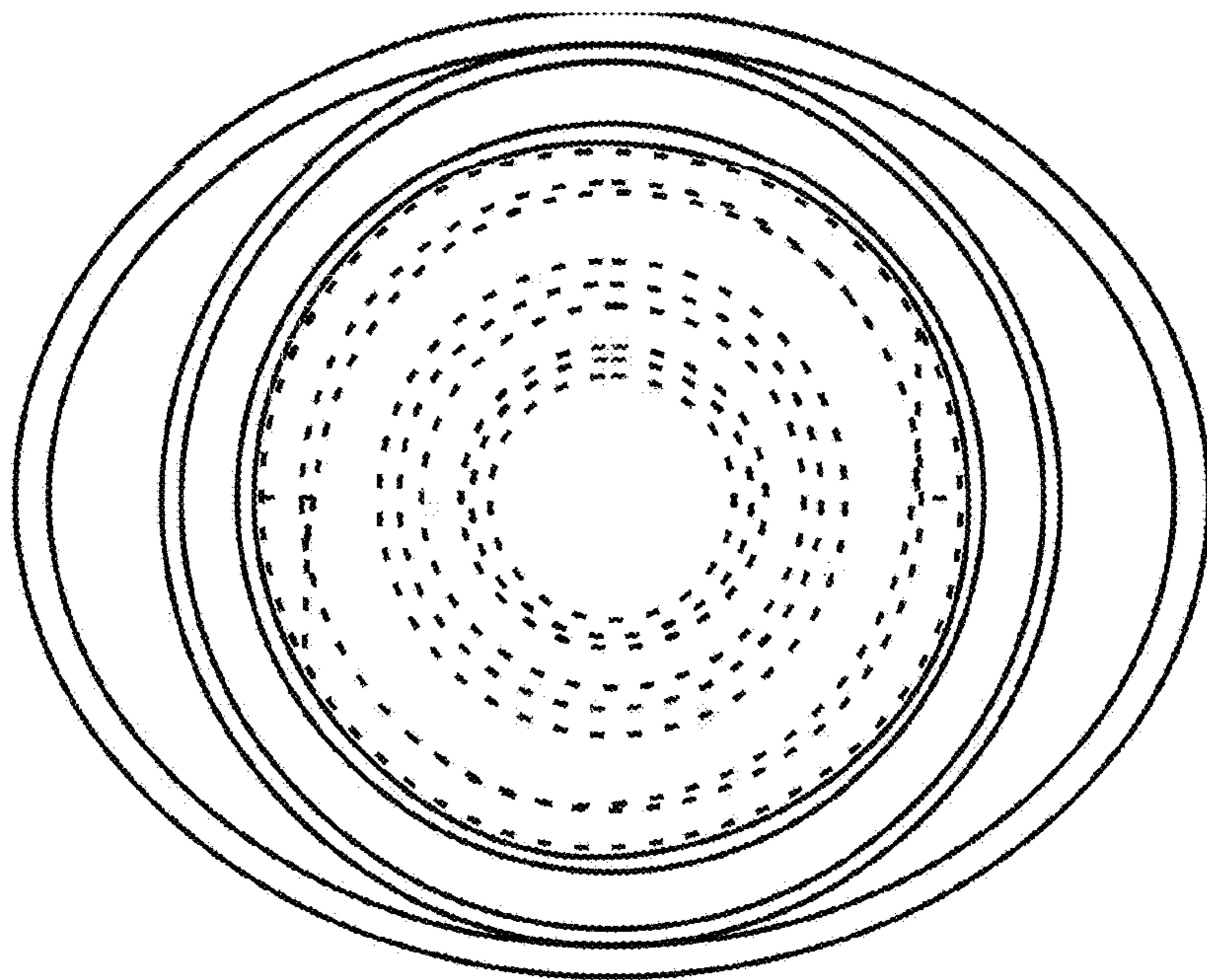


FIG. 7