

US00D849937S

(12) **United States Design Patent**
Whitaker et al.

(10) **Patent No.:** **US D849,937 S**

(45) **Date of Patent:** **** May 28, 2019**

(54) **CROSS TUBE CONNECTOR**

(71) Applicant: **NORDSON CORPORATION**,
Westlake, OH (US)

(72) Inventors: **Carl T. Whitaker**, Berthoud, CO (US);
Kenneth R. Davis, Longmont, CO
(US)

(73) Assignee: **Nordson Corporation**, Westlake, OH
(US)

(**) Term: **15 Years**

(21) Appl. No.: **29/594,839**

(22) Filed: **Feb. 23, 2017**

(51) **LOC (11) Cl.** **24-02**

(52) **U.S. Cl.**
USPC **D24/129**

(58) **Field of Classification Search**
USPC D24/127-131, 112-114, 133, 186;
606/181, 185; 604/264, 523-528, 272,
604/187, 158, 164.01-164.11, 181, 184,
604/227; 600/101, 139, 143;
128/200.24, 207.14, 207.15
CPC A61M 25/00; A61M 39/00; A61M 27/00;
A61M 25/0043; A61M 25/0067; A61M
25/0097

See application file for complete search history.

(56) **References Cited**

U.S. PATENT DOCUMENTS

D453,221 S * 1/2002 Haytman D24/129
7,721,734 B2 * 5/2010 Rustad A61M 16/0833
128/200.14

D673,674 S * 1/2013 Ho D24/129
8,652,105 B2 * 2/2014 Sniffin A61B 17/3421
604/164.01
8,657,800 B2 * 2/2014 Ho A61M 39/223
128/205.12
D732,664 S * 6/2015 Woehr D24/130
D757,260 S * 5/2016 Lombardi, III D24/129
D779,662 S * 2/2017 Smith D24/129
D783,815 S * 4/2017 Lewis D24/129
D793,551 S * 8/2017 Nelson D24/129
D794,184 S * 8/2017 Smith D24/129
D797,942 S * 9/2017 Krauss D24/186
D802,124 S * 11/2017 Guala D24/129

* cited by examiner

Primary Examiner — David G Muller

(74) *Attorney, Agent, or Firm* — Baker & Hostetler LLP

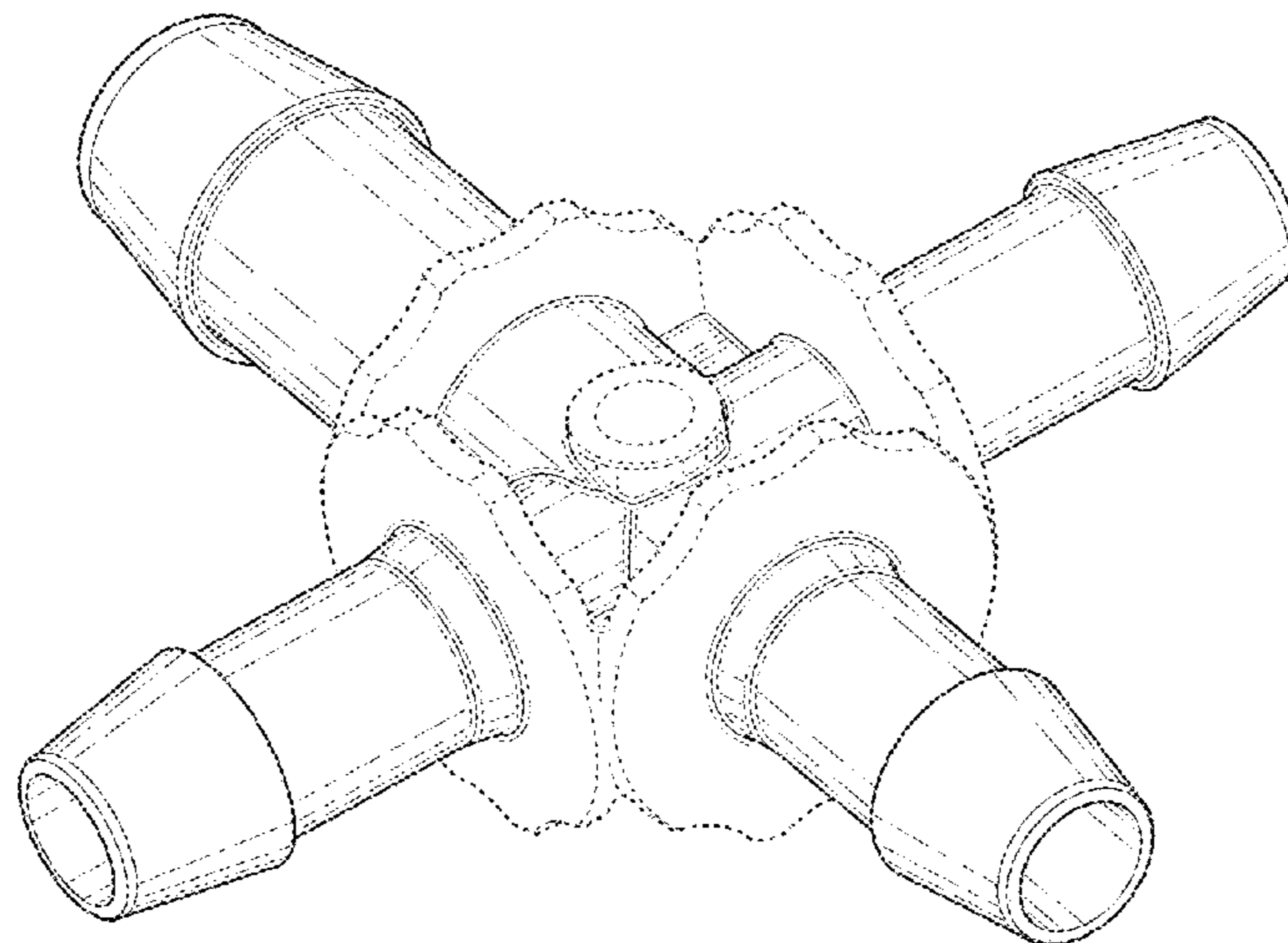
(57) **CLAIM**

The ornamental design for a cross tube connector, as shown and described.

DESCRIPTION

FIG. 1 is a bottom, perspective view of a cross tube connector;
FIG. 2 is a top view thereof;
FIG. 3 is a bottom view thereof;
FIG. 4 is a front view thereof;
FIG. 5 is a rear view thereof;
FIG. 6 is a left side view thereof; and,
FIG. 7 is a right side view thereof.
The subject matter shown in dashed lines, and any surfaces of the design not shown, form no part of the claimed invention.

1 Claim, 5 Drawing Sheets



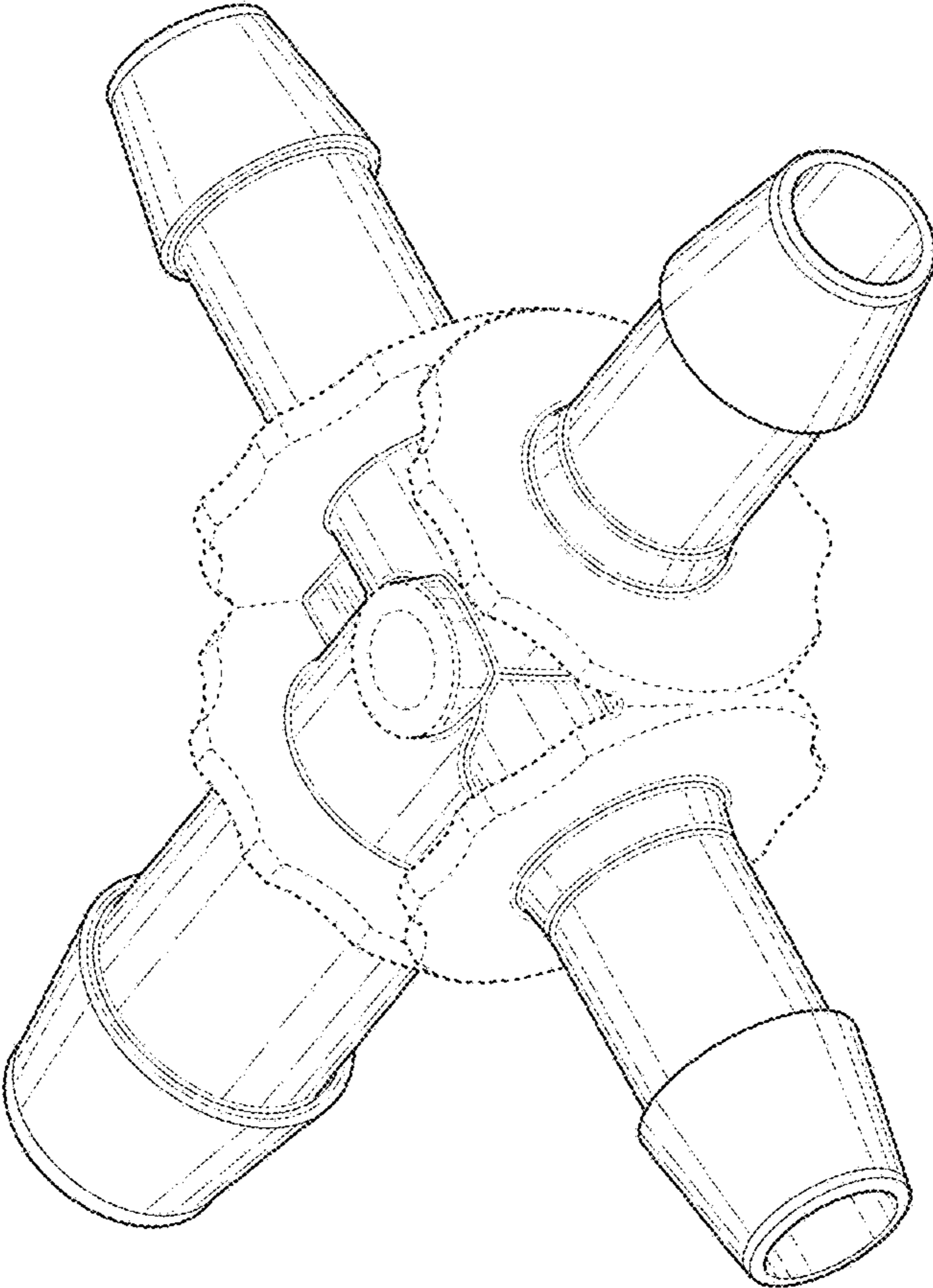


FIG. 1

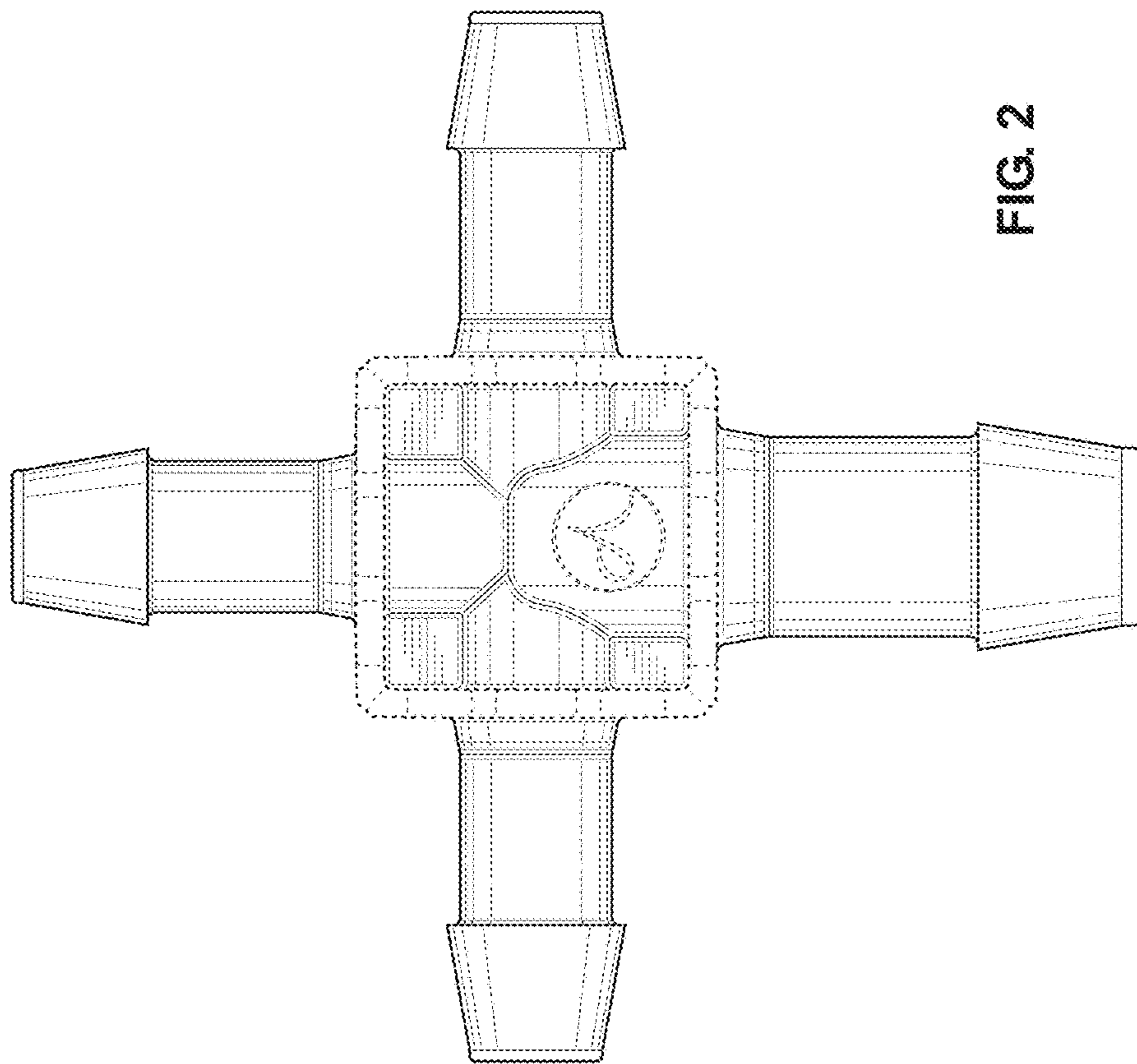


FIG. 2

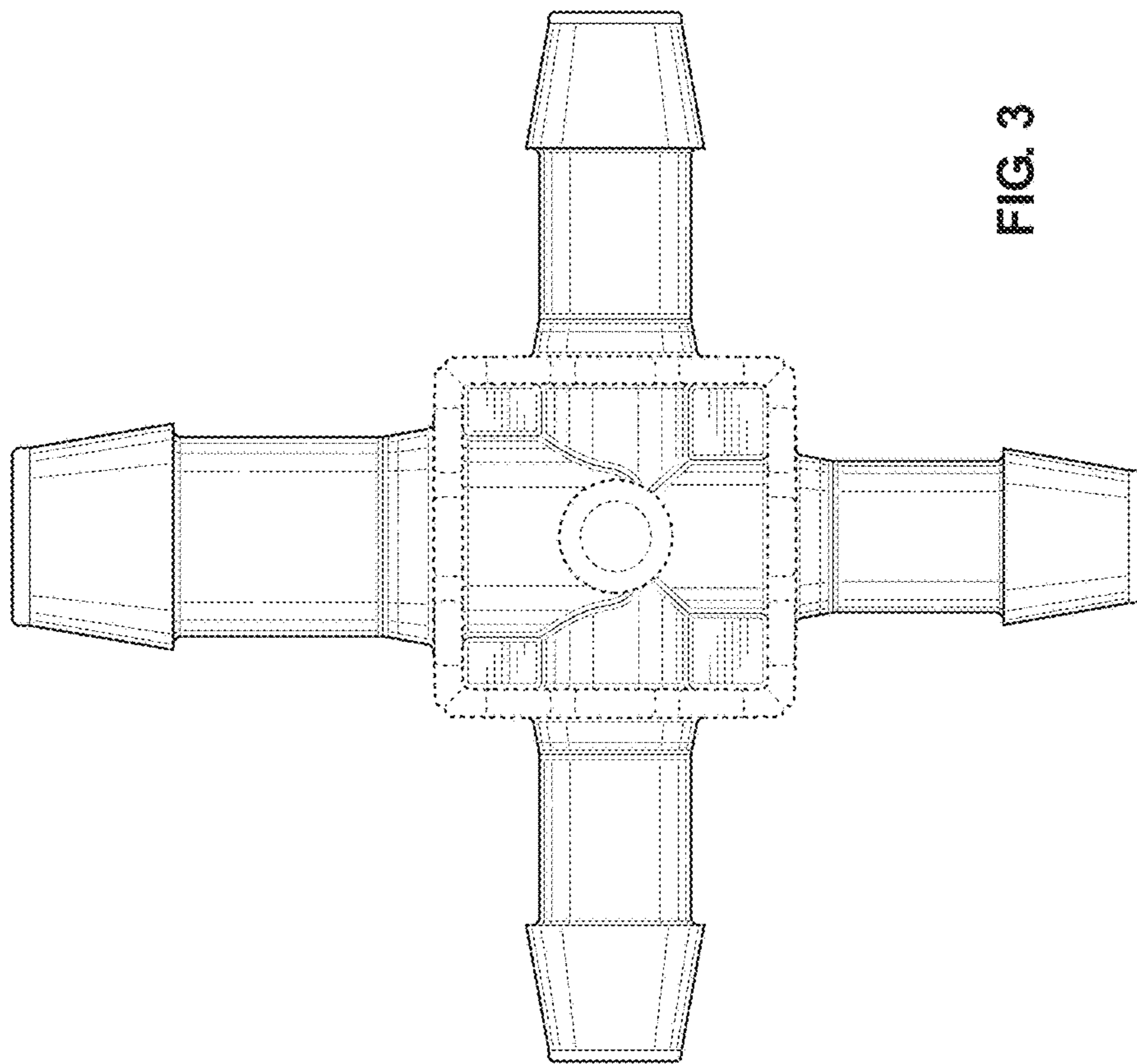


FIG. 3

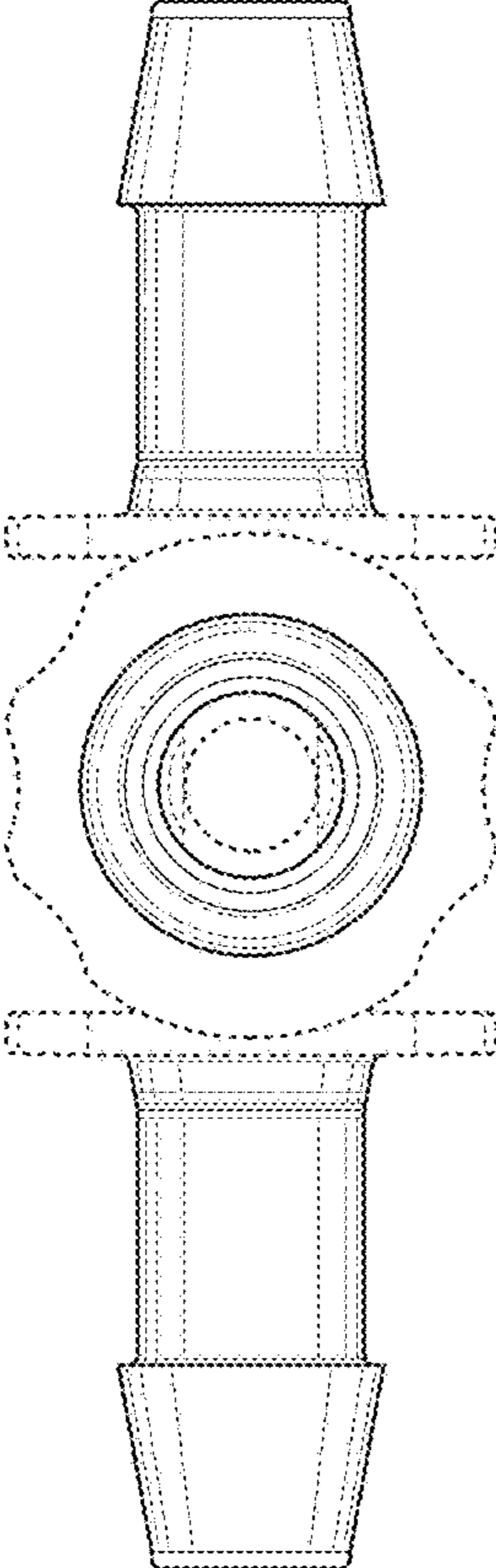


FIG. 4

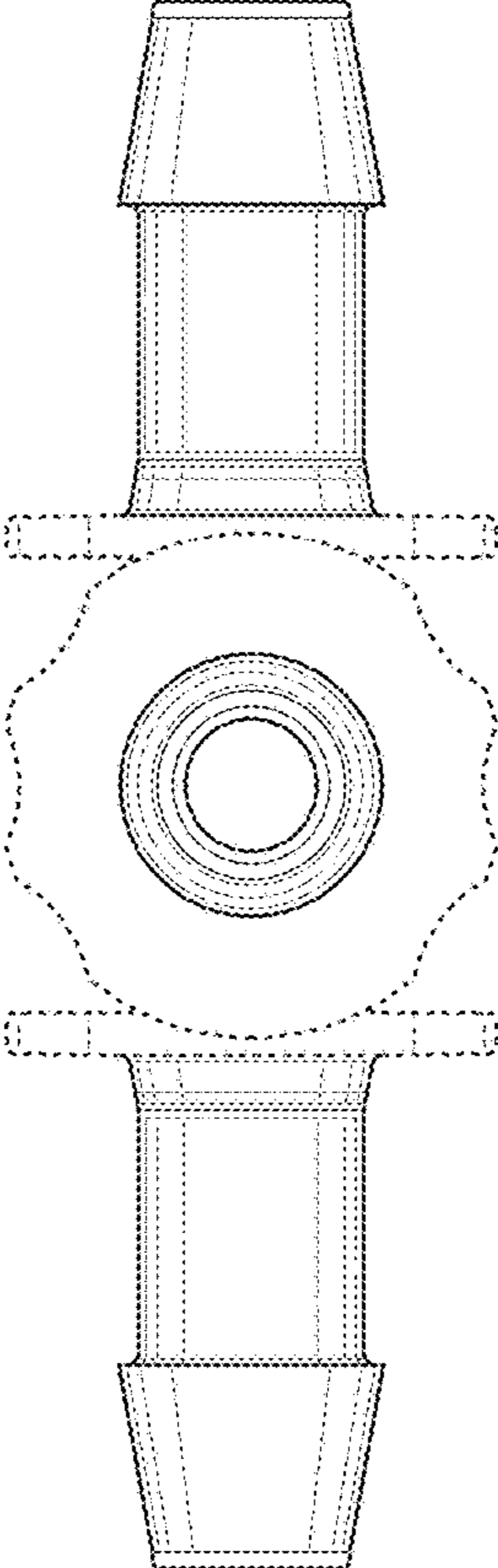


FIG. 5

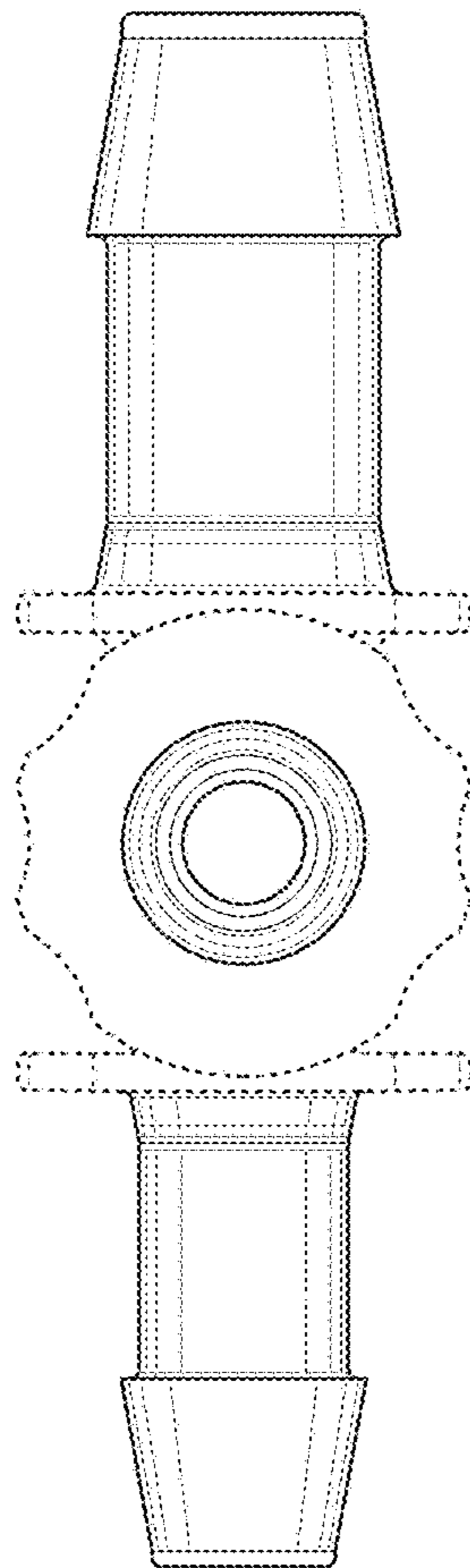


FIG. 6

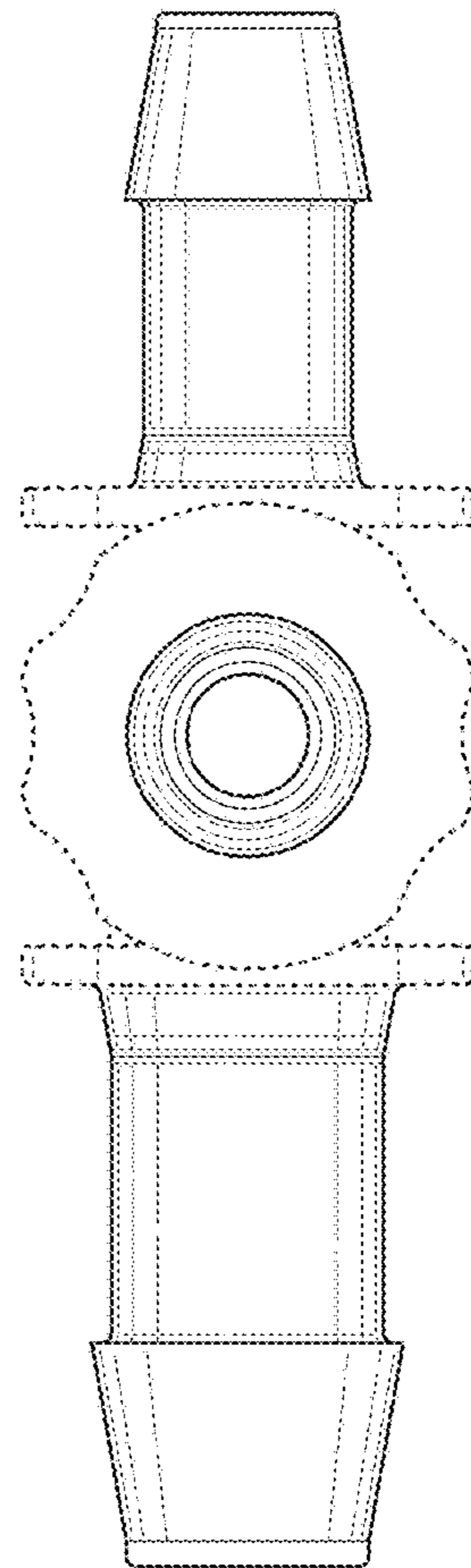


FIG. 7