



US00D849936S

(12) **United States Design Patent**  
**Allard**

(10) **Patent No.:** **US D849,936 S**

(45) **Date of Patent:** **\*\* May 28, 2019**

(54) **VALVE FOR MIXING FLUIDS**  
(71) Applicant: **GUERBET**, Villepinte (FR)  
(72) Inventor: **Ludovic Allard**, Vourles (FR)  
(73) Assignee: **GUERBET**, Villepinte (FR)  
(\*\*) Term: **15 Years**

(21) Appl. No.: **29/548,228**

(22) Filed: **Dec. 11, 2015**

(30) **Foreign Application Priority Data**

Jun. 12, 2015 (FR) ..... 002718296-0001

(51) **LOC (11) Cl.** ..... **24-02**

(52) **U.S. Cl.**  
USPC ..... **D24/129**

(58) **Field of Classification Search**  
USPC ..... D24/127-131, 112-114, 133, 186;  
606/181, 185; 604/264, 523-528, 272,  
604/187, 158, 164.01-164.11, 181, 184,  
604/227; 600/101, 139, 143;  
128/200.24, 207.14, 207.15  
CPC .. A61M 25/065; A61M 5/42; A61M 25/0612;  
A61M 25/00; A61M 39/00; A61M 27/00;  
A61M 25/0043; A61M 25/0067; A61M  
25/0097; A61F 2/958  
See application file for complete search history.

(56) **References Cited**

**U.S. PATENT DOCUMENTS**

D449,107 S \* 10/2001 Madsen ..... D24/129  
D483,487 S \* 12/2003 Harding ..... D24/129  
D519,632 S \* 4/2006 Bayron ..... D24/110.6

7,041,108 B2 \* 5/2006 Lippitt et al. .... A61B 17/221  
604/264  
D589,142 S \* 3/2009 Guerrero ..... D24/108  
D673,674 S \* 1/2013 Ho ..... D24/129  
D682,423 S \* 5/2013 Becker ..... D24/133  
D689,187 S \* 9/2013 Kruger ..... D24/127  
D709,753 S \* 7/2014 Guala ..... D24/112  
D742,507 S \* 11/2015 Miller ..... D24/129  
D783,160 S \* 4/2017 Griffith ..... D24/129

\* cited by examiner

*Primary Examiner* — David G Muller

(74) *Attorney, Agent, or Firm* — Stephen J. Weyer, Esq.;  
Stites & Harbison, PLLC

(57) **CLAIM**

The ornamental design for a valve for mixing fluids, as shown and described.

**DESCRIPTION**

FIG. 1 is a perspective view taken from the top, front, and right side of the valve for mixing fluids of the present new design.

FIG. 2 is a front elevation view of the valve for mixing fluids of FIG. 1

FIG. 3 is a rear elevation view of the valve for mixing fluids of FIG. 1.

FIG. 4 is a left side elevation view of the valve for mixing fluids of FIG. 1.

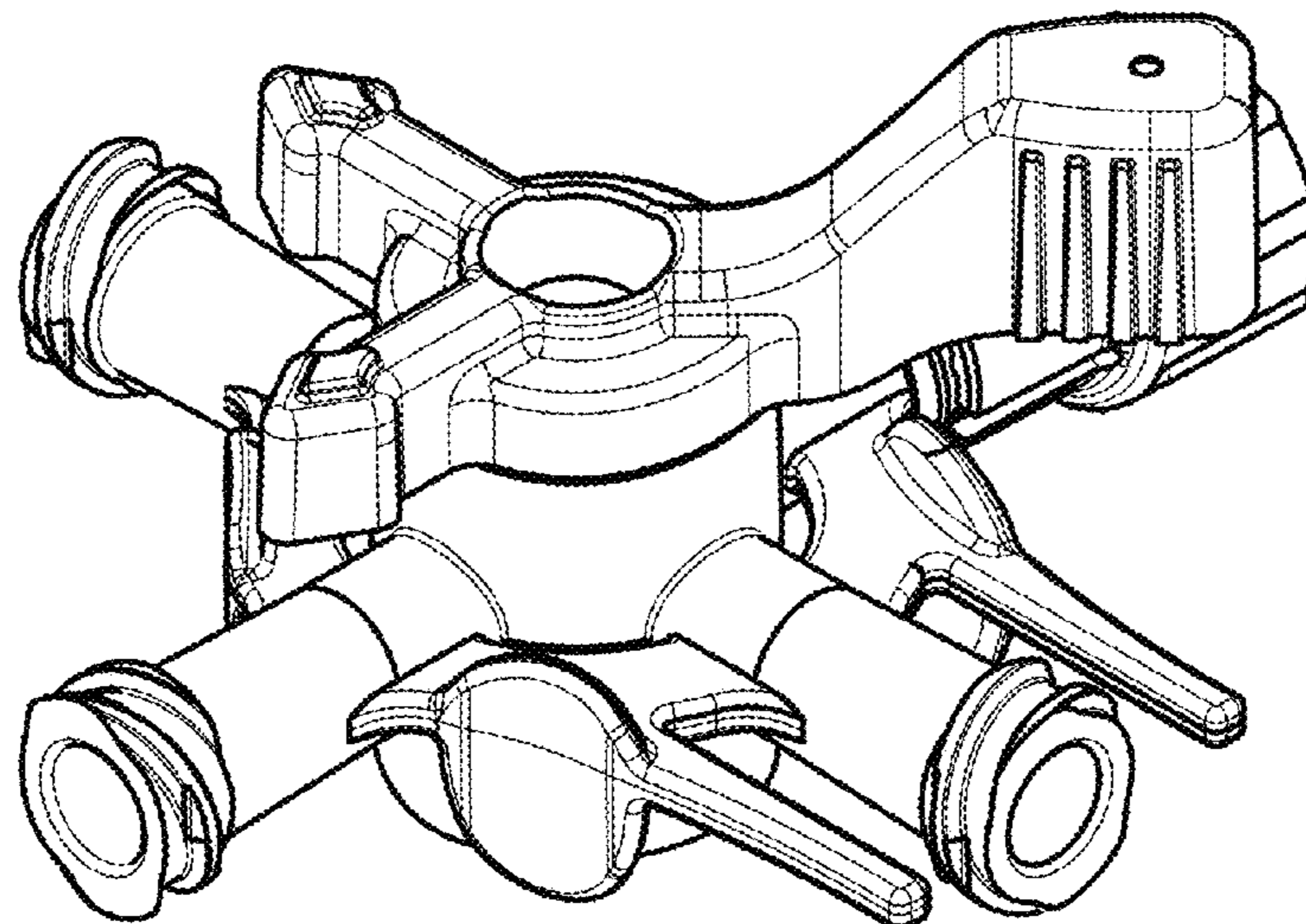
FIG. 5 is a right side elevation view of the valve for mixing fluids of FIG. 1

FIG. 6 is a top plan view of the valve for mixing fluids of FIG. 1; and,

FIG. 7 is a bottom plan view of the valve for mixing fluids of FIG. 1.

The elements drawn in broken lines are aspects of the valve for mixing fluids which form no part of the claimed design.

**1 Claim, 7 Drawing Sheets**



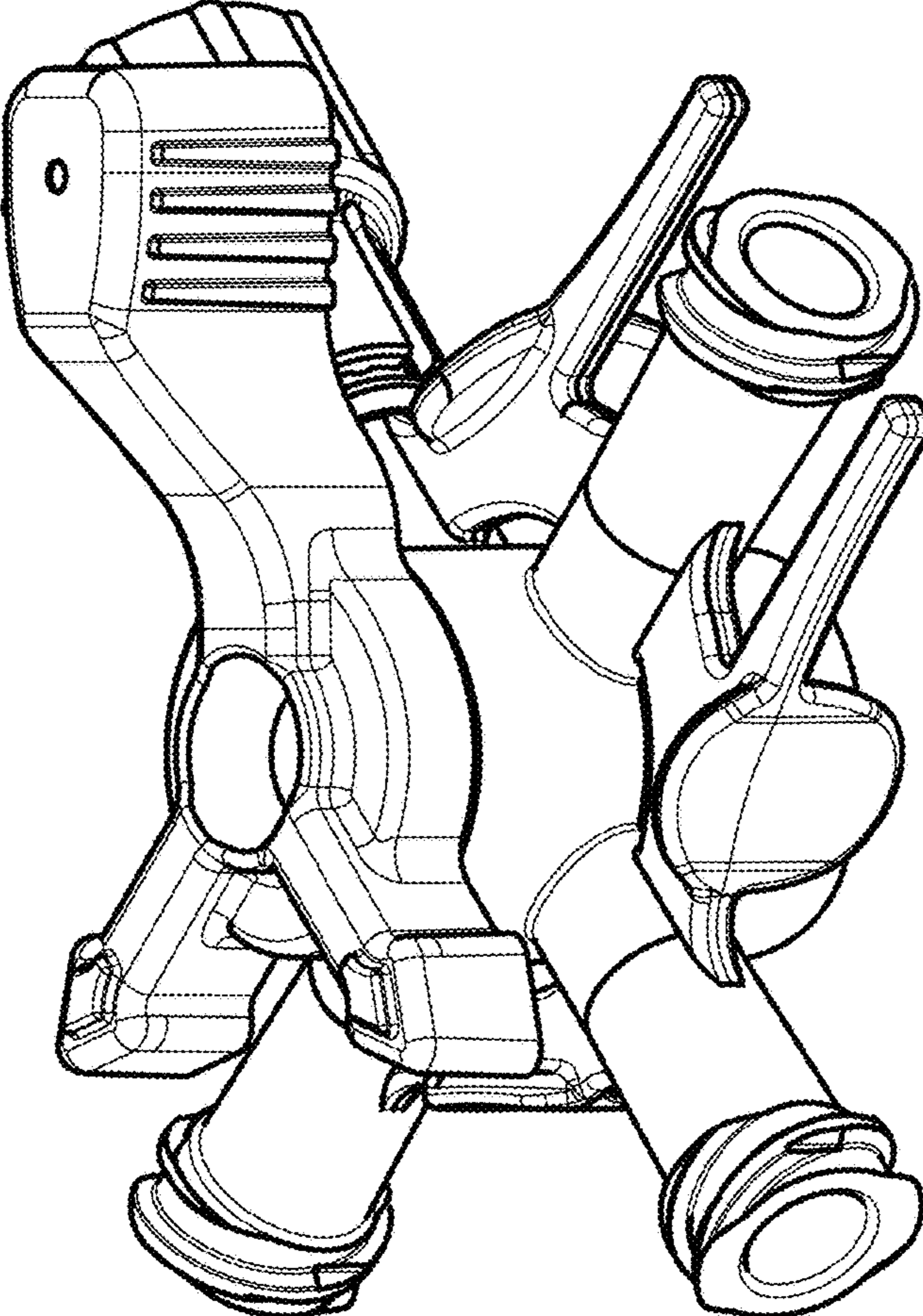


Fig. 1

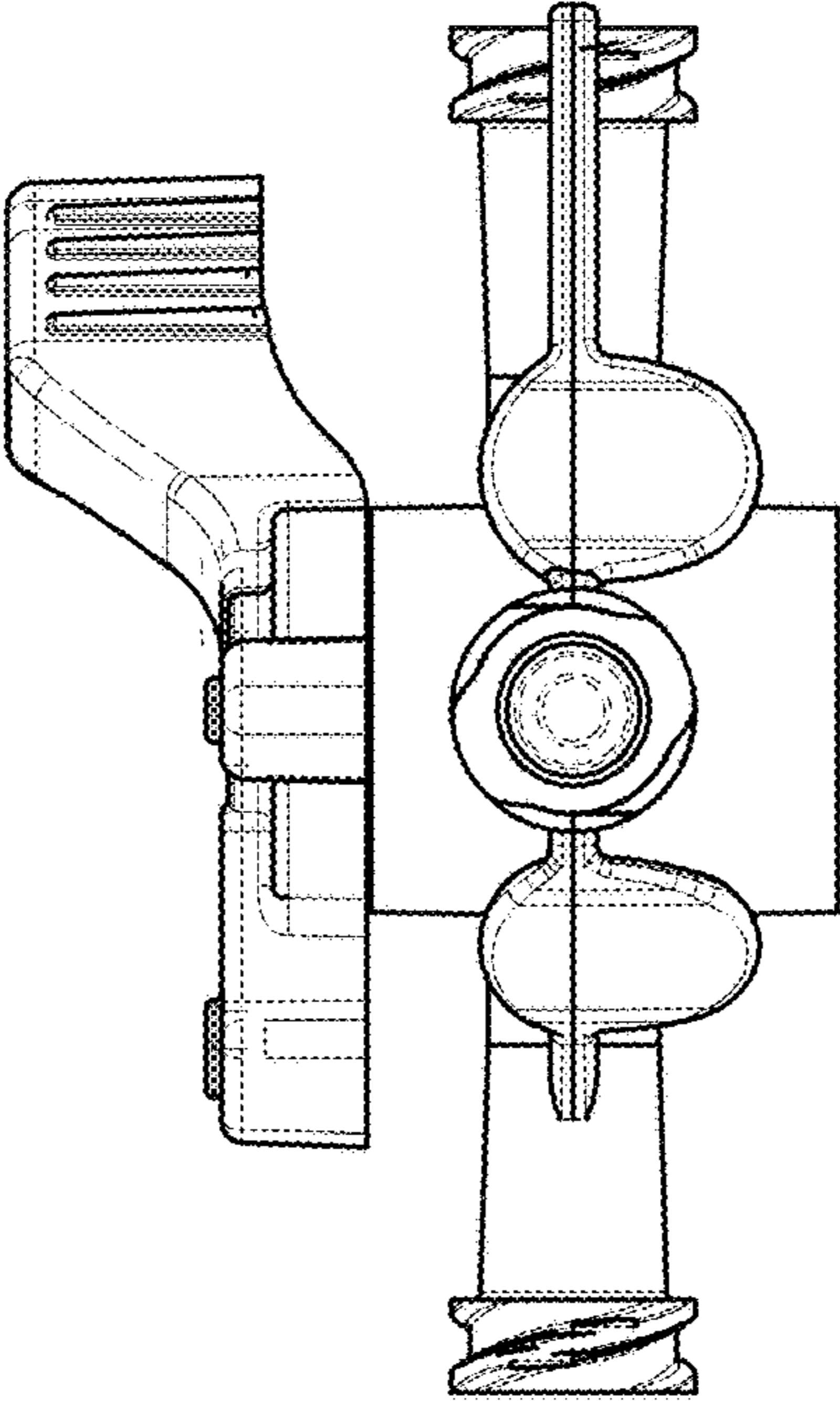


Fig. 2

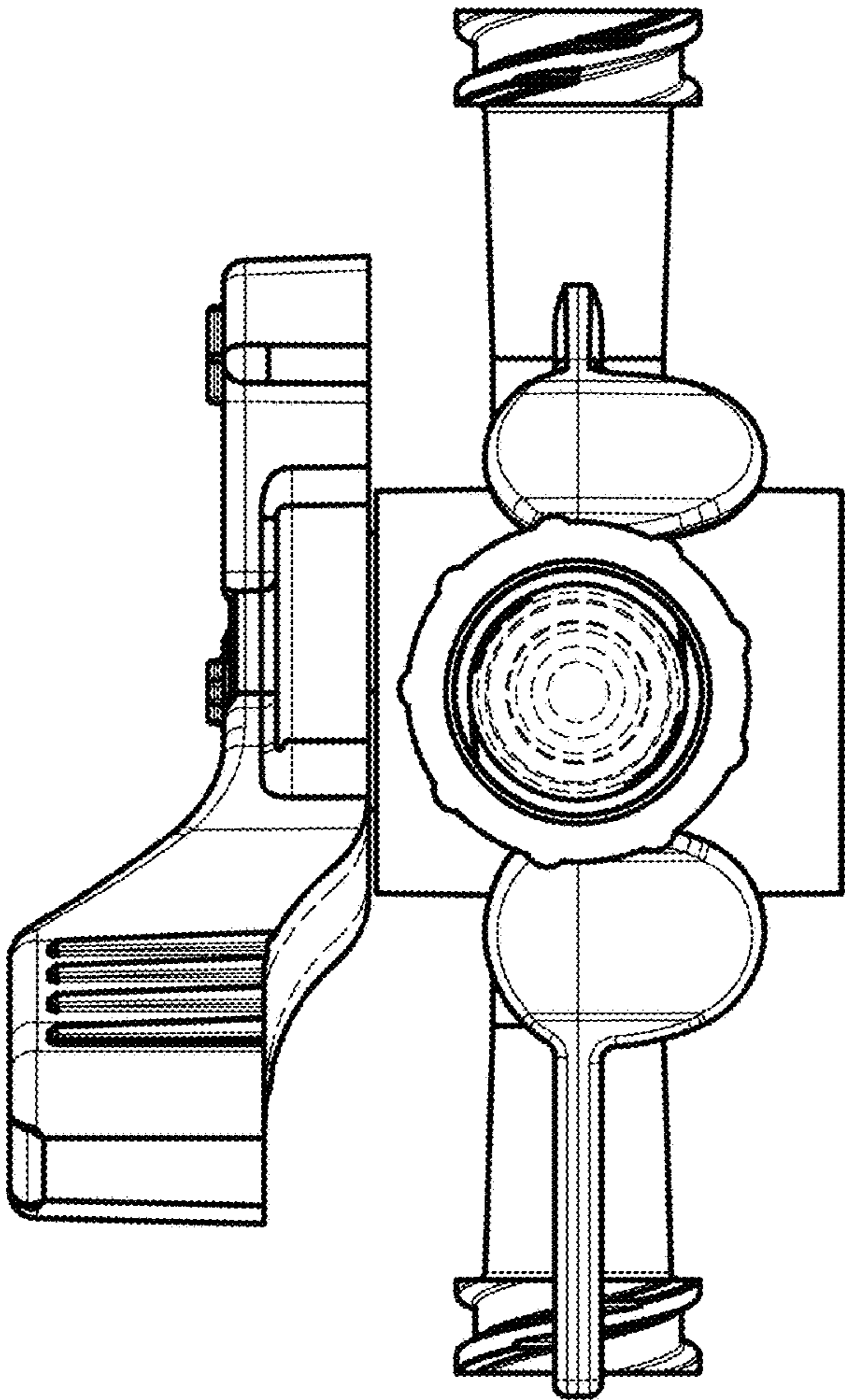


Fig. 3

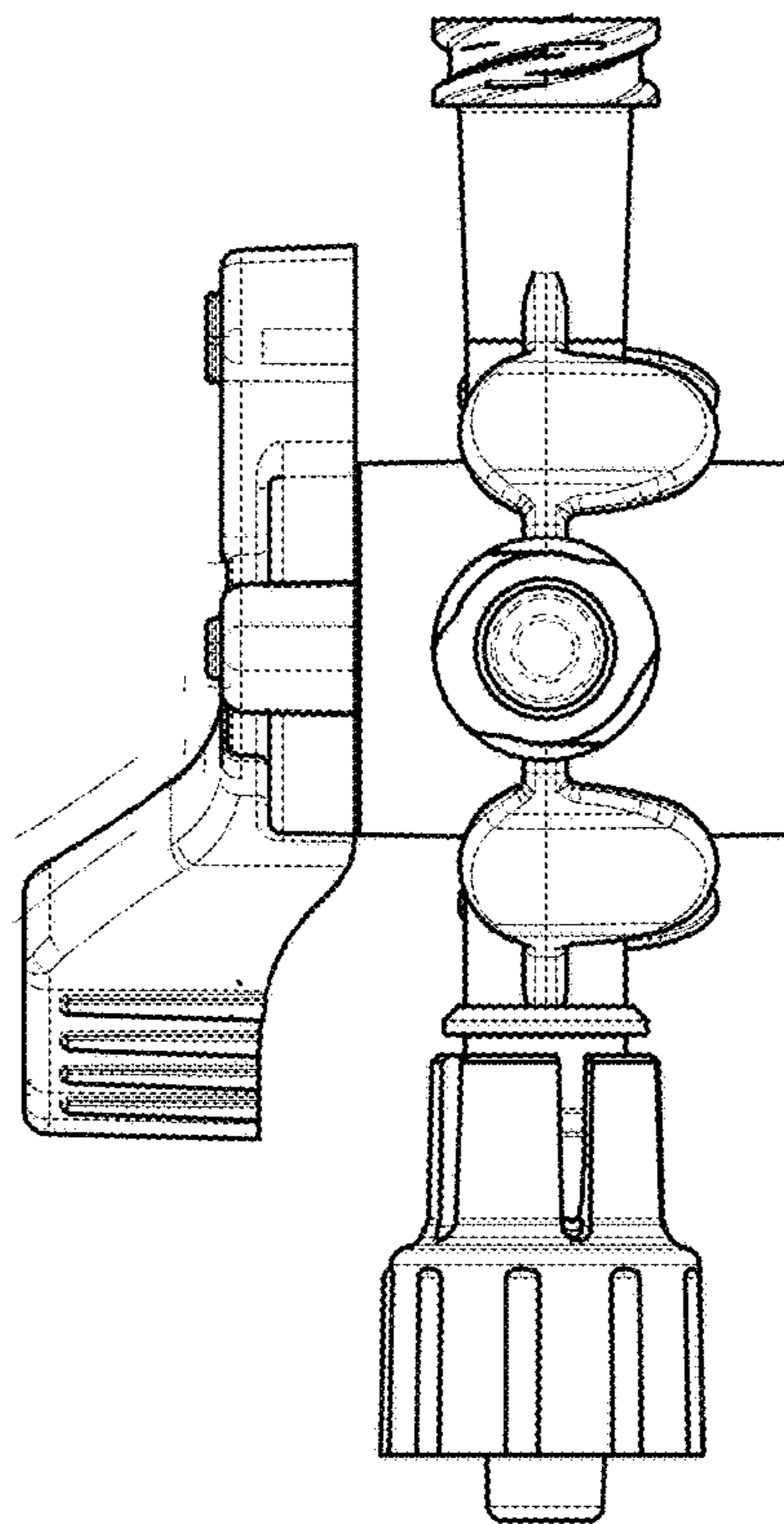


Fig. 4

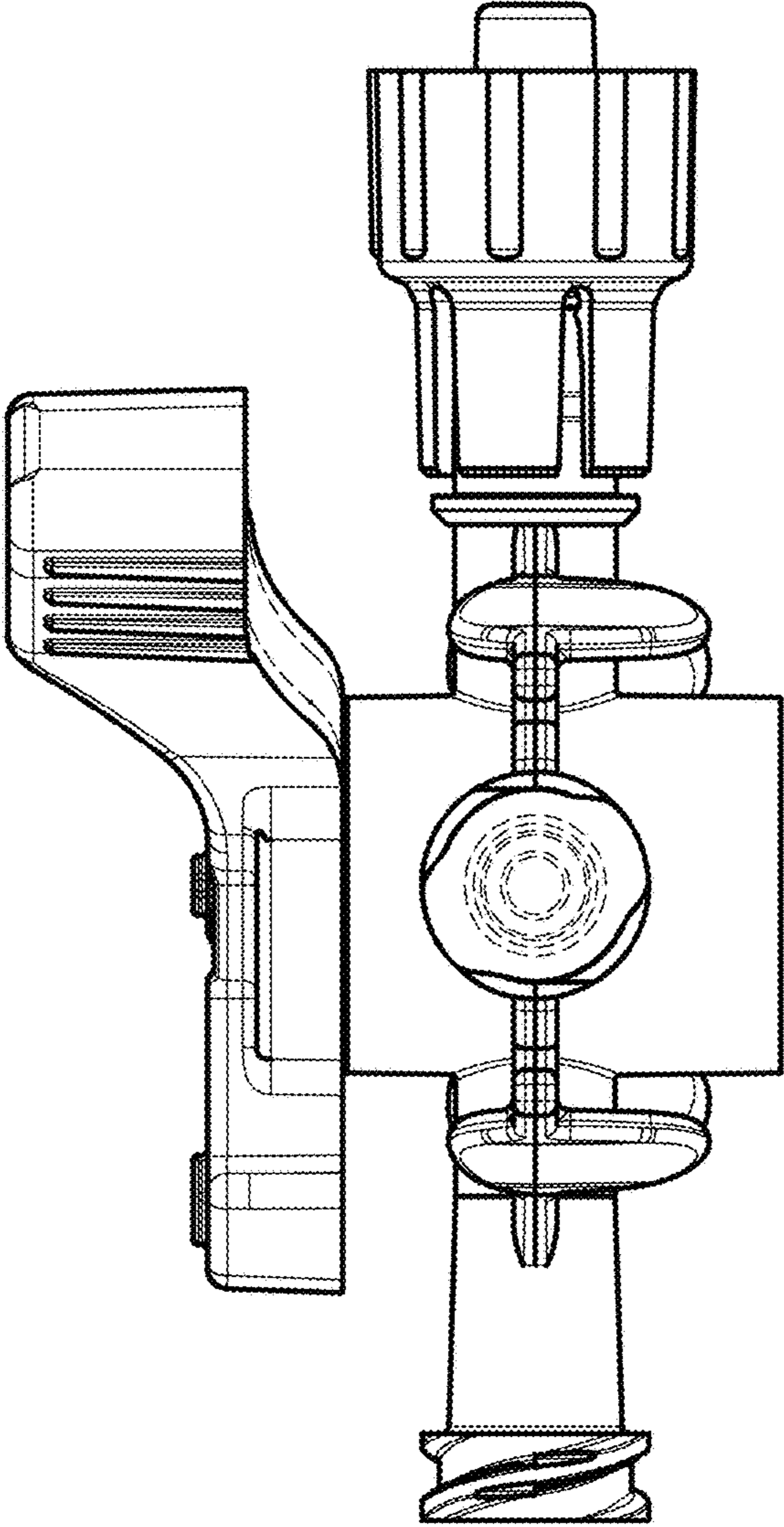


Fig. 5

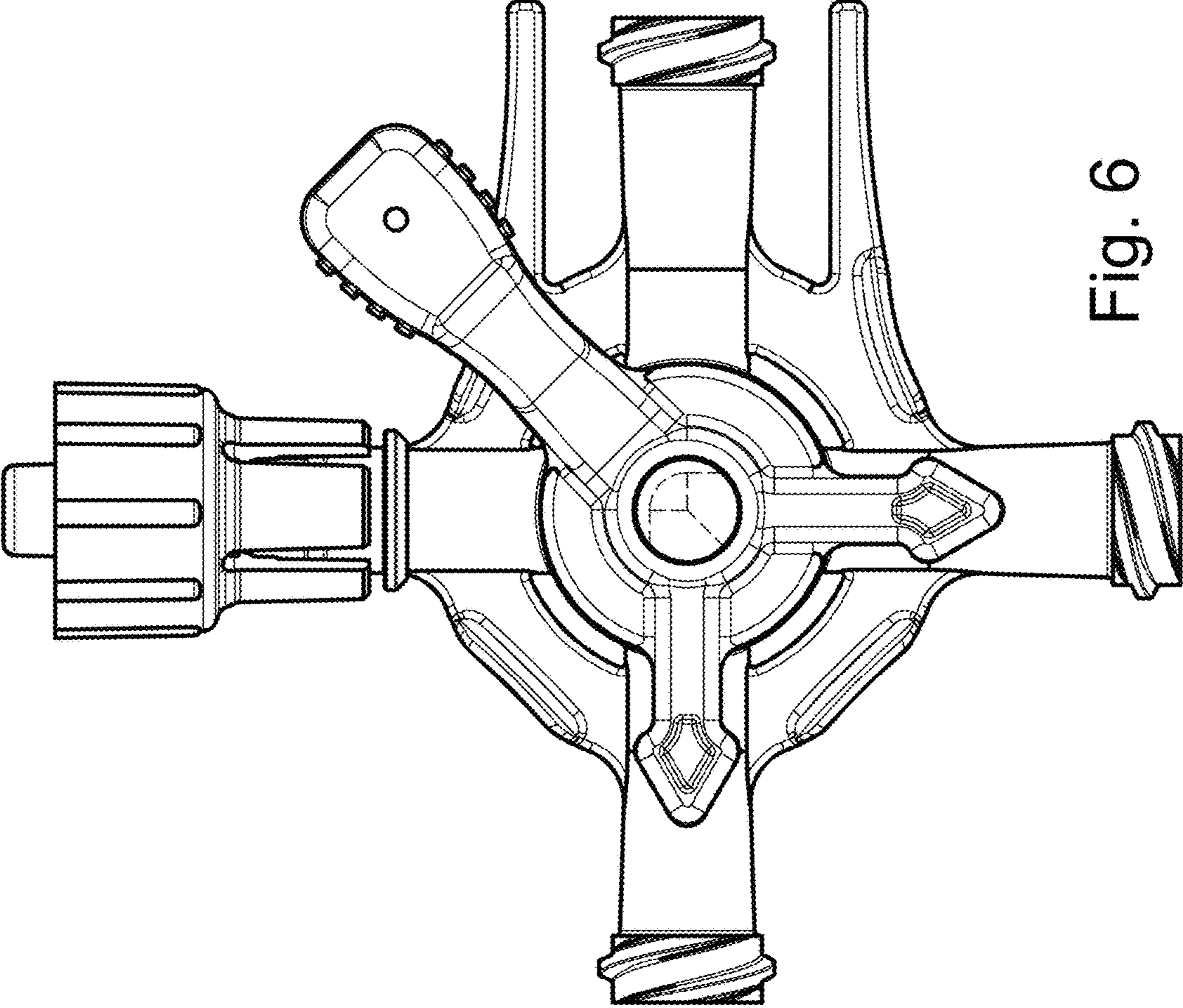


Fig. 6

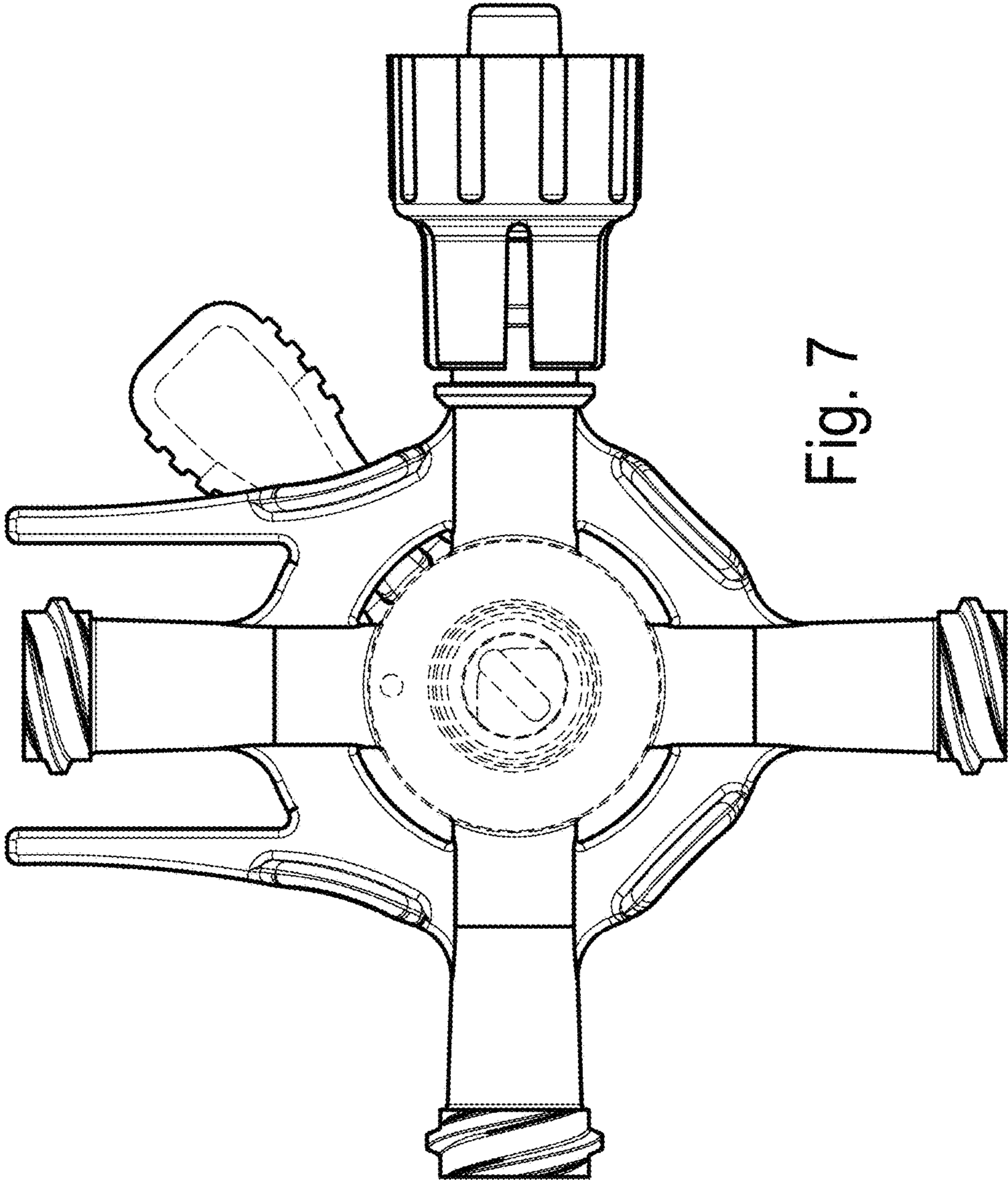


Fig. 7



UNITED STATES PATENT AND TRADEMARK OFFICE  
**CERTIFICATE OF CORRECTION**

PATENT NO. : D849,936 S  
APPLICATION NO. : 29/548228  
DATED : May 28, 2019  
INVENTOR(S) : Allard et al.

Page 1 of 1

It is certified that error appears in the above-identified patent and that said Letters Patent is hereby corrected as shown below:

On the Title Page

Item (30): Foreign Application Priority Data

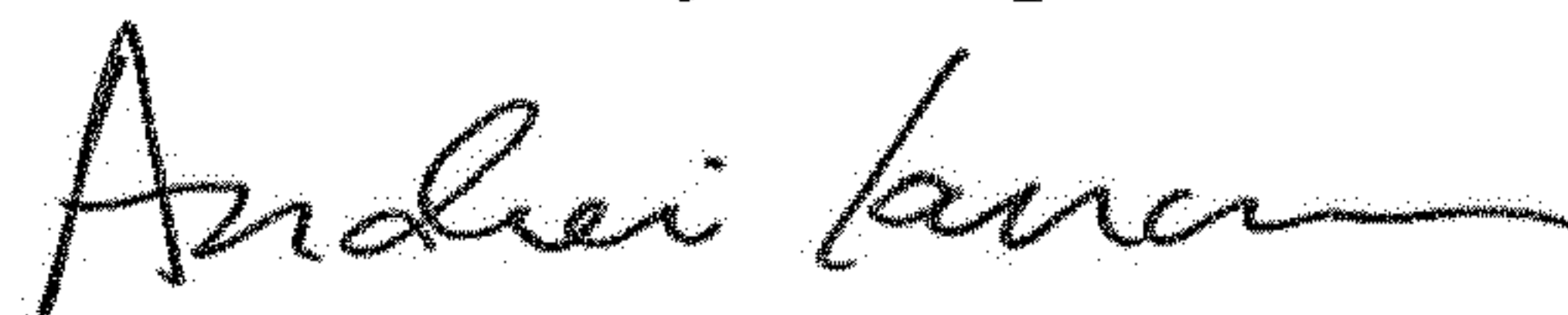
Please change:

“Jun. 12, 2015 (FR) .....002718296-0001”

To:

- **Jun. 12, 2015 (EM) .....002718296-0001** -

Signed and Sealed this  
Seventeenth Day of September, 2019



Andrei Iancu  
*Director of the United States Patent and Trademark Office*