



US00D849931S

(12) **United States Design Patent** (10) **Patent No.:** **US D849,931 S**
Prentice et al. (45) **Date of Patent:** **** *May 28, 2019**

(54) **FACE MASK CUSHION**

(56) **References Cited**

(71) Applicant: **Fisher & Paykel Healthcare Limited**,
Auckland (NZ)

U.S. PATENT DOCUMENTS

(72) Inventors: **Craig Robert Prentice**, Auckland (NZ);
Bernard Tsz Lun Ip, Auckland (NZ);
Mark Arvind McLaren, Auckland
(NZ); **Kyle Gregory Brown**, Auckland
(NZ); **Chris Onin Limpin Hipolito**,
Auckland (NZ); **Mark Richard**
Tomlinson, Auckland (NZ); **Melissa**
Catherine Bornholdt, Auckland (NZ)

4,522,369 A	6/1985	Ansite	
4,630,604 A	12/1986	Montesi	
D383,204 S	9/1997	Lomas et al.	
D476,407 S	6/2003	Snyder	
6,631,718 B1	10/2003	Lovell et al.	
6,691,707 B1	2/2004	Gunaratnam et al.	
6,817,362 B2	11/2004	Gelinas et al.	
D504,947 S	5/2005	McAuley et al.	
D539,901 S	4/2007	McAuliffe et al.	
7,290,546 B2	11/2007	Sprinkle et al.	
D556,899 S	12/2007	Veliss et al.	
D579,105 S	10/2008	Jones et al.	
D597,202 S	7/2009	Reid et al.	
D619,449 S	7/2010	Smith	
7,793,987 B1	9/2010	Busch et al.	
D637,283 S	5/2011	Selvarajan et al.	
D651,304 S	12/2011	Edwards et al.	
D656,231 S	3/2012	Henry et al.	
D673,245 S	12/2012	Cooney	
D679,376 S	4/2013	Von Hollen et al.	
D679,377 S	4/2013	Von Hollen et al.	
D679,378 S	4/2013	Von Hollen et al.	
D683,447 S	5/2013	Olsen et al.	
D691,257 S	10/2013	Siew et al.	
D692,554 S	10/2013	Siew et al.	
D693,459 S	11/2013	Prentice	
D695,887 S	12/2013	Ozolins et al.	
D696,767 S	12/2013	Scheiner et al.	
D697,203 S	1/2014	Clarke et al.	
D706,413 S	6/2014	Veliss et al.	
8,789,525 B2	7/2014	Snow	
D717,945 S	11/2014	Neff et al.	
8,950,404 B2	2/2015	Formica et al.	
D740,934 S	10/2015	Formica et al.	
9,155,855 B2	10/2015	Tebbutt	
D748,242 S	1/2016	Campbell et al.	
D751,188 S	3/2016	Skipper et al.	
D752,199 S	3/2016	Berkman	
D753,813 S	4/2016	Ozolins et al.	
D754,328 S	4/2016	Bowsher	
D757,252 S	5/2016	Von Moger et al.	
D758,564 S	6/2016	Eves et al.	
D764,049 S *	8/2016	Cullen	D24/110.4
D767,750 S	9/2016	Nakai et al.	
D769,440 S	10/2016	Amarasinghe et al.	
D770,035 S *	10/2016	Prentice	D24/110.1
D779,652 S	2/2017	Nga et al.	
D782,030 S *	3/2017	Prentice	D24/110.4
D782,031 S *	3/2017	Prentice	D24/110.4

(73) Assignee: **Fisher & Paykel Healthcare Limited**,
Auckland (NZ)

(*) Notice: This patent is subject to a terminal dis-
claimer.

(**) Term: **15 Years**

(21) Appl. No.: **29/653,378**

(22) Filed: **Jun. 14, 2018**

Related U.S. Application Data

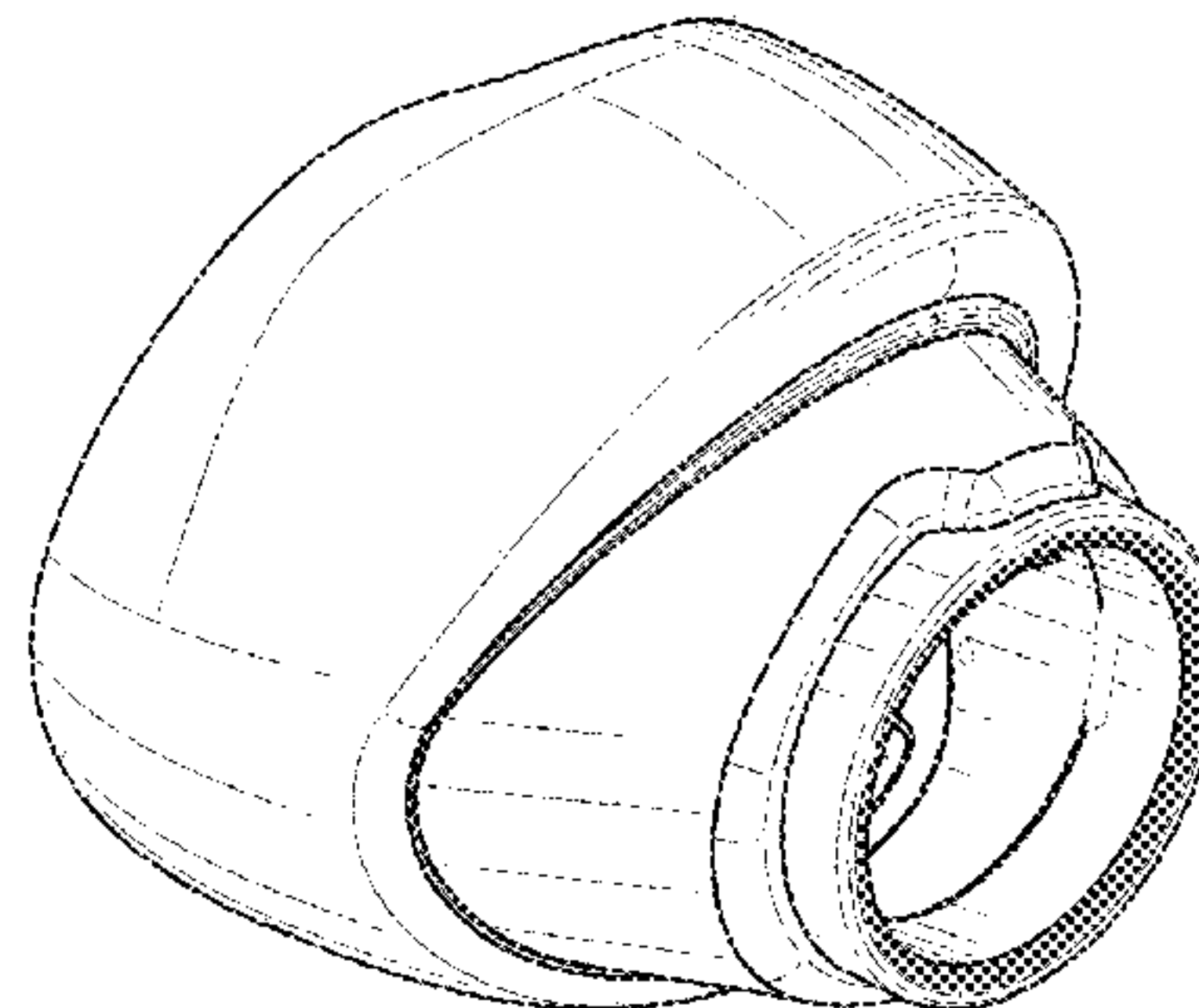
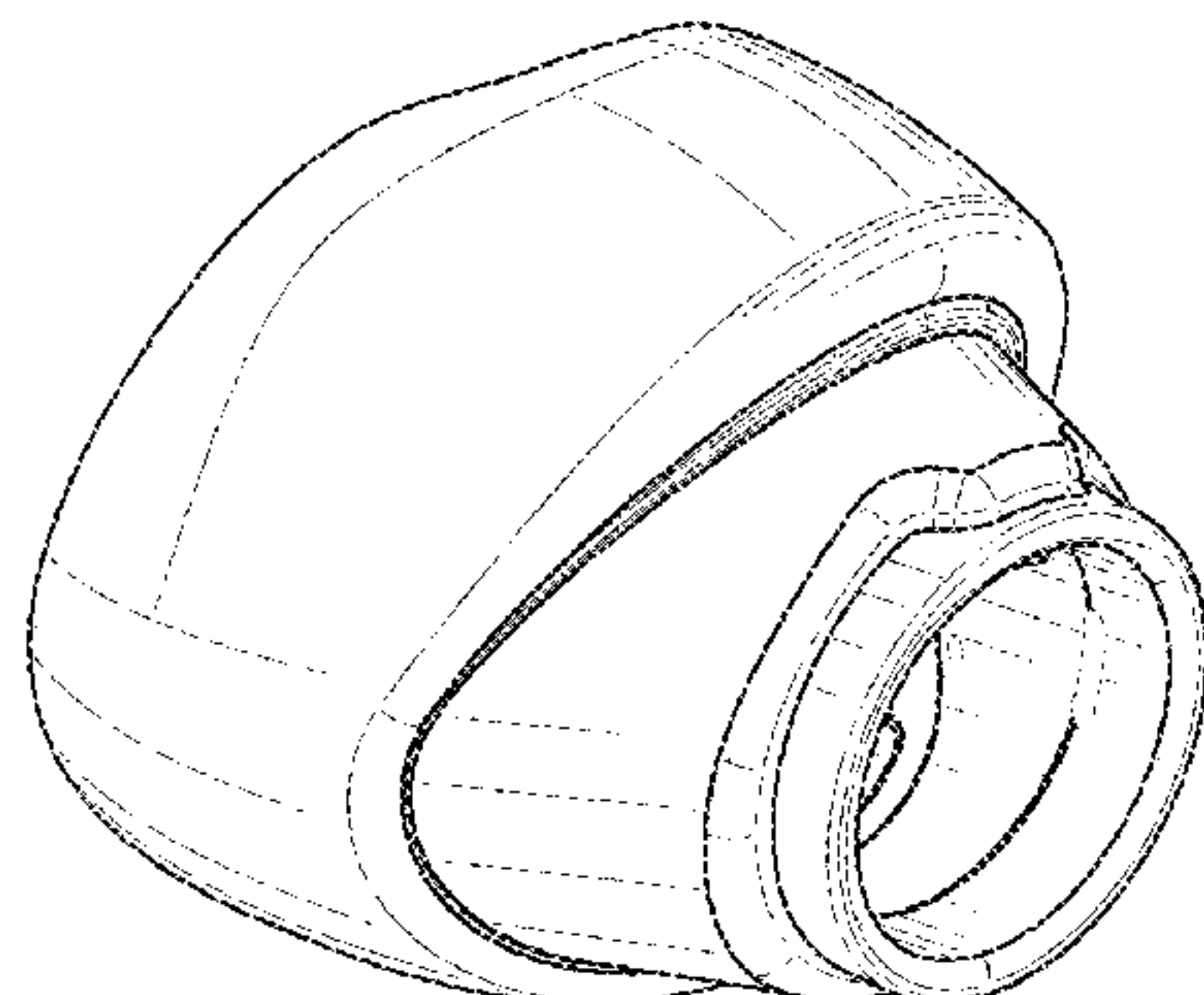
(60) Continuation of application No. 29/622,639, filed on
Oct. 18, 2017, now Pat. No. Des. 824,022, which is a
division of application No. 29/540,684, filed on Sep.
25, 2015, now Pat. No. Des. 800,895.

(51) **LOC (11) Cl.** **29-02**

(52) **U.S. Cl.**
USPC **D24/110.1**

(58) **Field of Classification Search**
USPC D24/110-110.5, 127, 164
CPC A61M 16/0683; A61M 16/0605; A61M
16/0622; A61M 16/06; A61M 16/0616;
A61M 16/0661; A61M 16/0633; A61M
16/0644; A61M 16/0816; A61M 16/08;
A61M 16/0666; A61M 2210/0618

See application file for complete search history.



D782,032	S	*	3/2017	Eves	D24/110.4
D784,516	S		4/2017	Prentice et al.		
9,707,368	B2		7/2017	McAuley et al.		
9,713,693	B2		7/2017	Parr et al.		
D797,921	S		9/2017	Huang et al.		
D798,439	S		9/2017	Siew et al.		
D800,895	S		10/2017	Prentice et al.		
D801,500	S		10/2017	Prentice		
D809,132	S		1/2018	Bornholdt et al.		
D823,455	S	*	7/2018	Bornholdt	D24/110.4
D824,022	S	*	7/2018	Prentice	D24/110.4
2002/0023649	A1		2/2002	Gunaratnam		
2002/0026934	A1		3/2002	Lithgow		
2003/0196659	A1		10/2003	Gradon et al.		
2004/0035428	A1		2/2004	Olsen et al.		
2004/0083534	A1		5/2004	Ruiz		
2004/0112377	A1		6/2004	Amarasinghe		
2005/0126573	A1		6/2005	Jaffre et al.		
2006/0124131	A1		6/2006	Chandran		
2007/0175480	A1		8/2007	Gradon et al.		
2008/0192459	A1		8/2008	Kwok et al.		
2009/0194111	A1		8/2009	Fu et al.		
2010/0000538	A1		1/2010	Edwards et al.		
2010/0031963	A1		2/2010	Lee et al.		
2010/0059058	A1		3/2010	Kuo		
2011/0146685	A1		6/2011	Allan		
2011/0197341	A1		8/2011	Formica et al.		
2011/0290253	A1		12/2011	McAuley et al.		
2012/0204881	A1		8/2012	Davidson et al.		
2012/0234326	A1		9/2012	Mazzone et al.		
2012/0305001	A1		12/2012	Tatkov et al.		
2013/0152937	A1		6/2013	Jablonski et al.		
2013/0152938	A1		6/2013	Jablonski et al.		
2013/0239972	A1		9/2013	McAuley et al.		
2014/0090649	A1		4/2014	Groll et al.		
2014/0096774	A1		4/2014	Olsen et al.		
2014/0174446	A1		6/2014	Prentice		
2014/0216460	A1		8/2014	Bothma et al.		
2014/0236041	A1		8/2014	Gulliver et al.		
2014/0261427	A1		9/2014	Foote		
2014/0305433	A1		10/2014	Rothermel		
2014/0326246	A1		11/2014	Chodkowski et al.		
2014/0366882	A1		12/2014	Ng et al.		
2015/0000671	A1		1/2015	Frerichs et al.		
2015/0151069	A1		6/2015	Zeijlstra et al.		
2015/0174354	A1		6/2015	Matula, Jr. et al.		
2015/0174355	A1		6/2015	Willard		
2015/0202397	A1		7/2015	Pastoor et al.		
2015/0202402	A1		7/2015	Kat		
2015/0209540	A1		7/2015	Hendricks et al.		
2015/0246200	A1		9/2015	Neff, Jr. et al.		
2015/0306320	A1		10/2015	Markus		
2015/0328422	A1		11/2015	Chodkowski		
2015/0367092	A1		12/2015	Goff et al.		
2016/0008558	A1		1/2016	Huddart et al.		
2016/0067441	A1		3/2016	Salmon et al.		
2016/0067442	A1		3/2016	Salmon et al.		
2016/0082218	A1		3/2016	Lau et al.		
2016/0121067	A1		5/2016	VanMiddendorp et al.		
2016/0151596	A1		6/2016	Slight et al.		
2016/0220781	A1		8/2016	Arrowsmith et al.		
2016/0287915	A1		10/2016	Lenfeld et al.		
2016/0325067	A1		11/2016	Harwood et al.		
2016/0354572	A1		12/2016	Lim		
2017/0065786	A1		3/2017	Stephenson et al.		
2017/0087329	A1		3/2017	Huddart et al.		
2017/0232219	A1		8/2017	Dravitzki et al.		
2017/0239437	A1		8/2017	Scheirlink et al.		
2017/0246411	A1		8/2017	Mashal et al.		
2017/0281894	A1		10/2017	Walls et al.		
2017/0312470	A1		11/2017	Norsted		
2017/0326325	A1		11/2017	Allan et al.		
2017/0333657	A1		11/2017	Stephenson et al.		
2017/0368288	A1		12/2017	Stephens et al.		
2018/0185598	A1	*	7/2018	Olsen	A62B 18/08
2018/0185600	A1	*	7/2018	Jablonski	A61M 16/0683
2018/0207384	A1	*	7/2018	Zhou	A61M 16/0622
2018/0250485	A1	*	9/2018	Zhan	A61M 16/06

OTHER PUBLICATIONS

Fisher & Paykel Announces Eson 2 Mask at Investor Day. Sleep Review. Oct. 12, 2015. <<http://www.sleepreviewmag.com/2015/10/fisher-paykel-announces-eson-2-mask-investor-day/>>.

New—Eson 2 Fisher & Paykel Nasal Mask. CPAP Victoria: Snoring & Sleep Apnoea Solutions. cpapvictoria.com.au. Date accessed: May 21, 2016. <<http://cpapvictoria.com.au/new-eson-2-fisher-paykel-nasal-mask.html>>.

Fisher & Paykel Eson 2 Nasal Mask. CPAP Direct. cpapdirect.com.au. Date accessed: May 21, 2016. <<https://cpapdirect.com.au/wp-content/uploads/2-15/12/Eson2-Exploded-Image.jpg>>.

Swivel for Fisher Paykel Eson2 Nasal Mask #400FPH241. CPAP Australia. www.cpapaustralia.com.au. Date accessed: May 21, 2016. <<https://www.cpapaustralia.com.au/shopping/swivel-for-fisher-paykel-eson2-nasal-mask-400fph241.html>>.

Office Action for U.S. Appl. No. 29/540,662 dated May 19, 2016.

Office Action for U.S. Appl. No. 29/540,681 dated May 19, 2016.

Office Action for U.S. Appl. No. 29/540,693 dated Jun. 2, 2016.

Office Action for U.S. Appl. No. 29/540,684 dated Sep. 15, 2016.

Office Action for U.S. Appl. No. 29/540,680 dated Jun. 2, 2016.

S-1225, image post date Jul. 30, 2017, site visited Nov. 24, 2017, (online), <https://www.tineye.com/search/5a303183b2900291d1429fe660f391f2c1a0f159/?sort=crawl_date&order=asc>.

Direct-home-medical-parts-for-cpap-masks-bipap-masks, image post date Sep. 27, 2017, site visited Nov. 24, 2017, (online), <<https://www.tineye.com/search/58ef6f11e162268d500494d731e8e5c6c671dc48/>>.

F&P Eson 2 Nasal CPAP Mask Pack with Headgear, image post date Nov. 20, 2016, site visited Nov. 24, 2017, (online), <<http://www.directhomemedical.com/eson-2-nasal-cpap-mask-fisher-paykel-healthcare.html#reviews>>.

* cited by examiner

Primary Examiner — Lilyana Bekic
(74) Attorney, Agent, or Firm — Knobbe, Martens, Olson & Bear, LLP

(57) CLAIM

The ornamental design for a face mask cushion, as shown and described.

DESCRIPTION

The file of this patent contains at least one drawing/photograph executed in color. Copies of this patent with color drawing(s)/photograph(s) will be provided by the Office upon request and payment of the necessary fee.

FIG. 1 is a top, front and left side perspective view of a first embodiment of a face mask cushion embodying our new design;

FIG. 2 is a top, rear and left side perspective view thereof;

FIG. 3 is a front view thereof;

FIG. 4 is a rear view thereof;

FIG. 5 is a left side view thereof;

FIG. 6 is a right side view thereof;

FIG. 7 is a top view thereof; and

FIG. 8 is a bottom view thereof.

FIG. 9 is a top, front and left side perspective view of a second embodiment of a face mask cushion embodying our new design;

FIG. 10 is a top, rear and left side perspective view thereof;

FIG. 11 is a front view thereof;

FIG. 12 is a rear view thereof;

FIG. 13 is a left side view thereof;

FIG. 14 is a right side view thereof;

FIG. 15 is a top view thereof; and,
FIG. 16 is a bottom view thereof.
Broken lines are used to illustrate portions of the face mask
cushion which form no part of the claimed design.

1 Claim, 16 Drawing Sheets
(2 of 16 Drawing Sheet(s) Filed in Color)

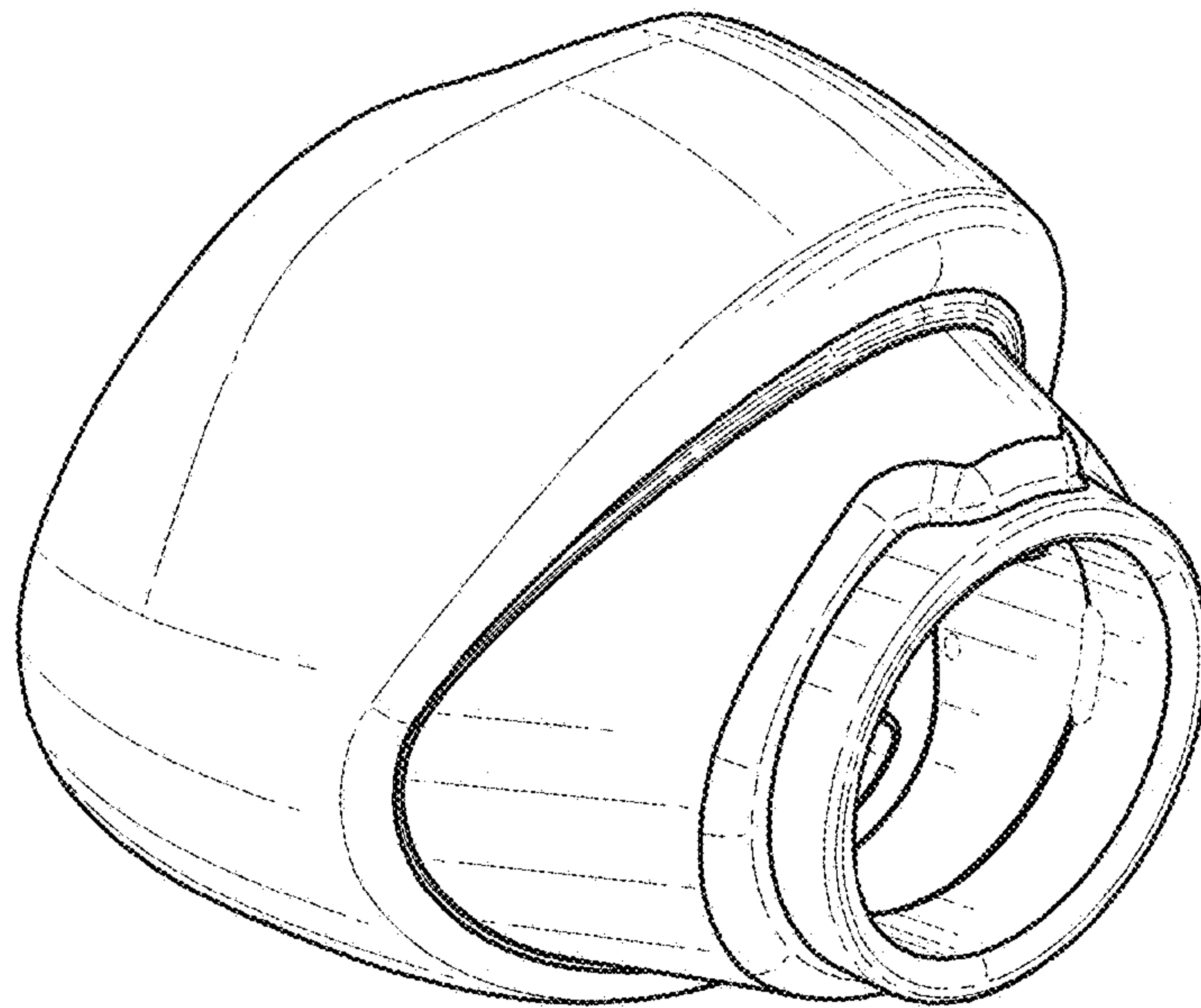


FIG. 1

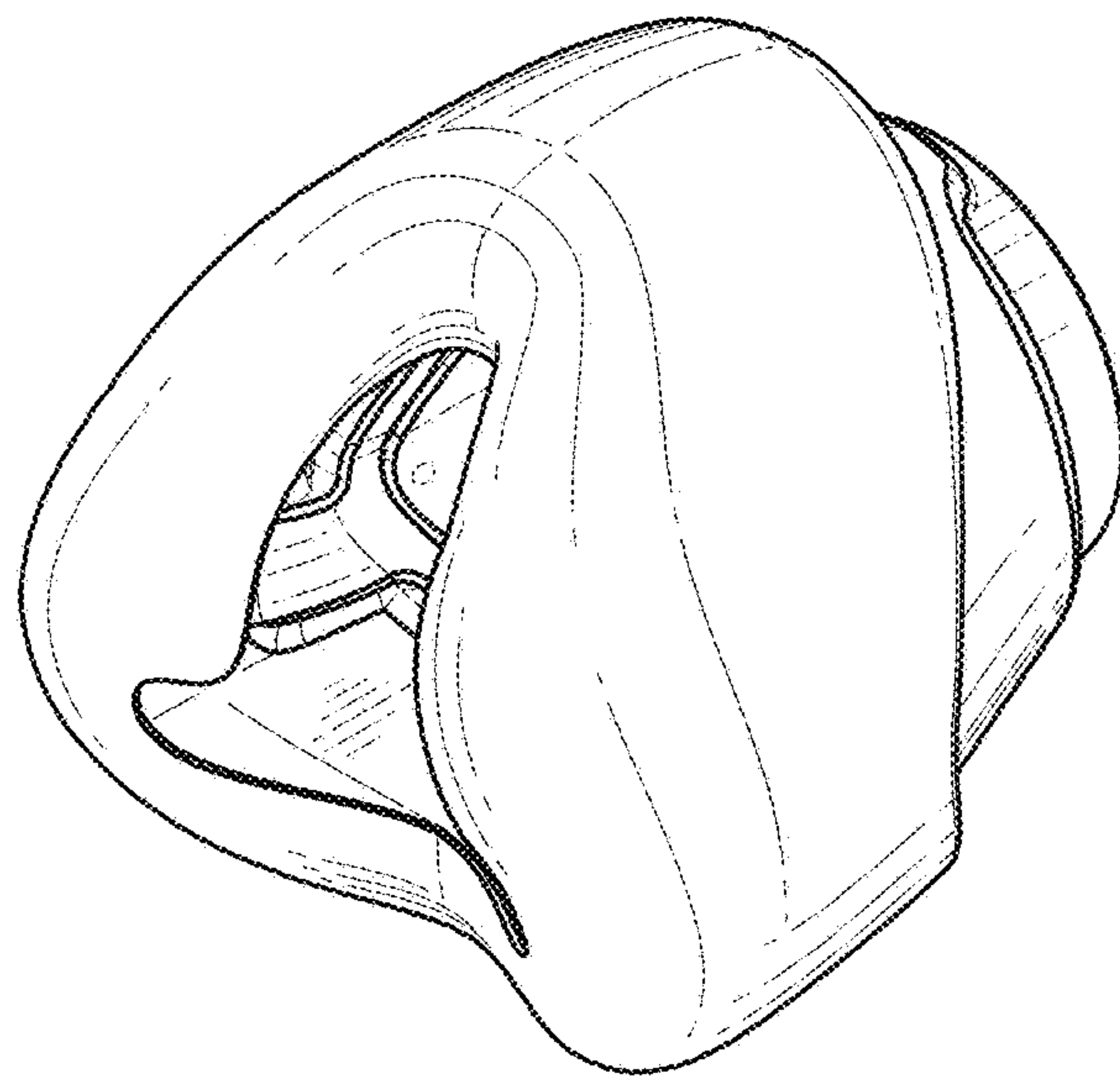


FIG. 2

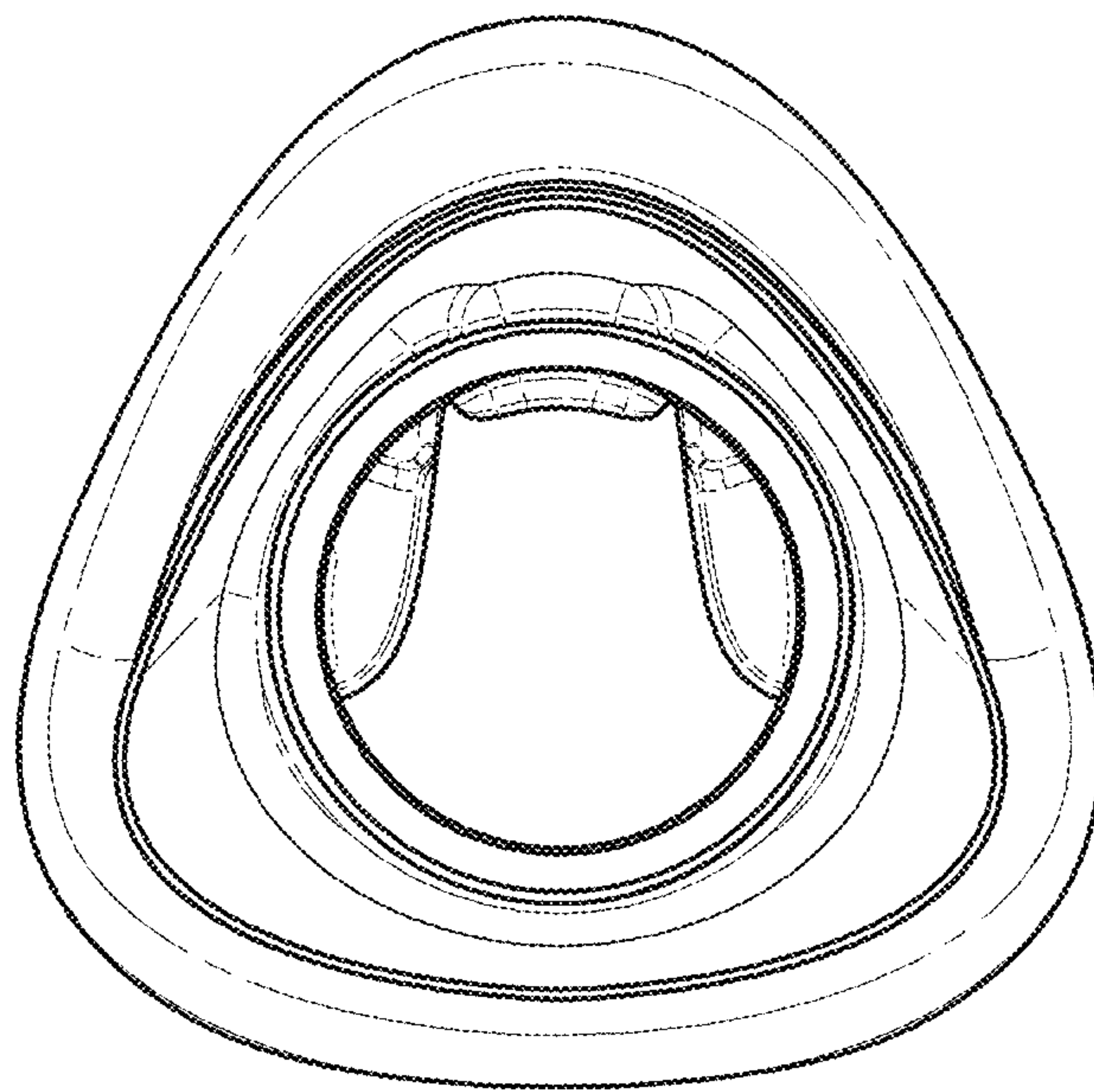


FIG. 3

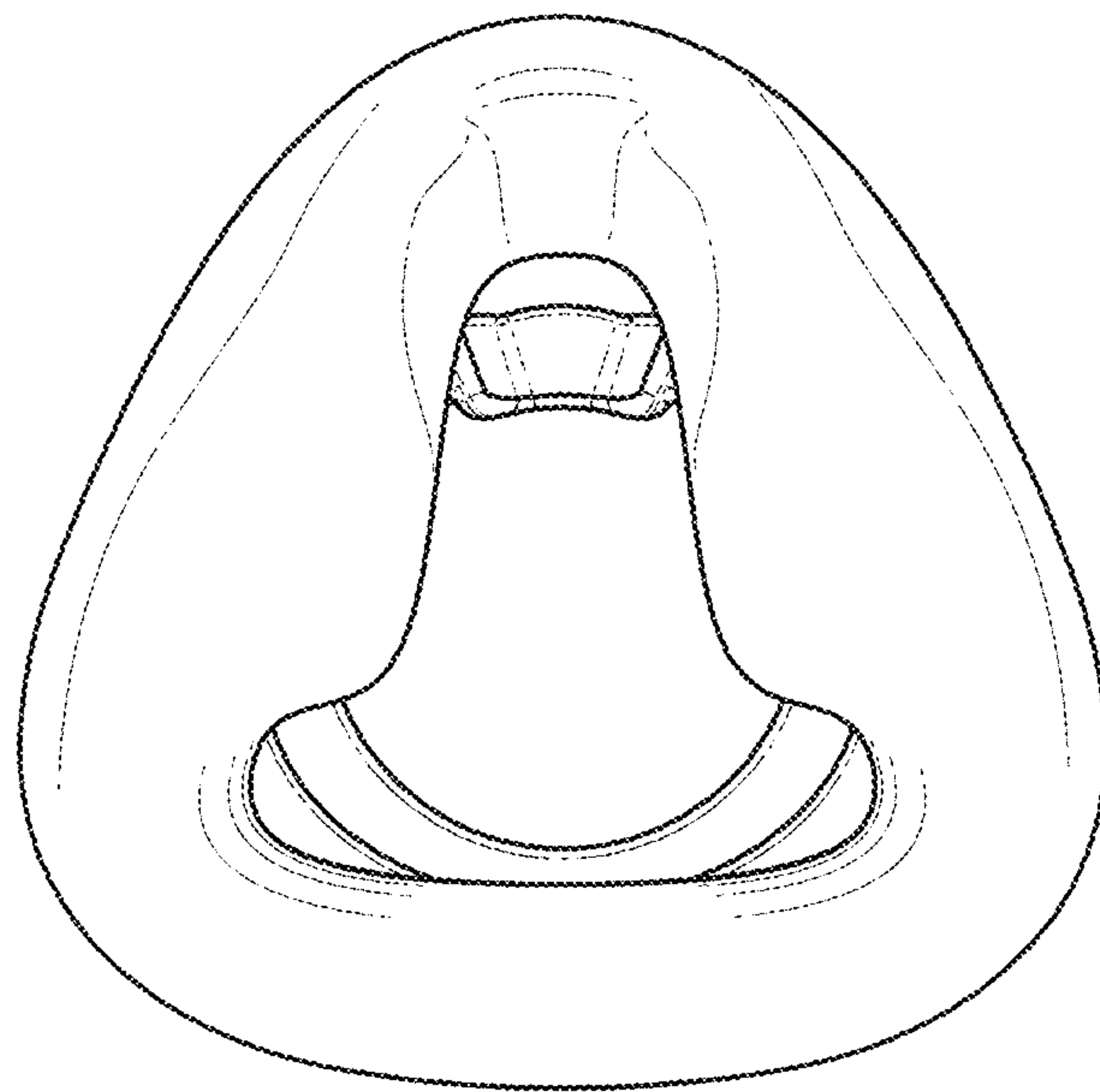


FIG. 4

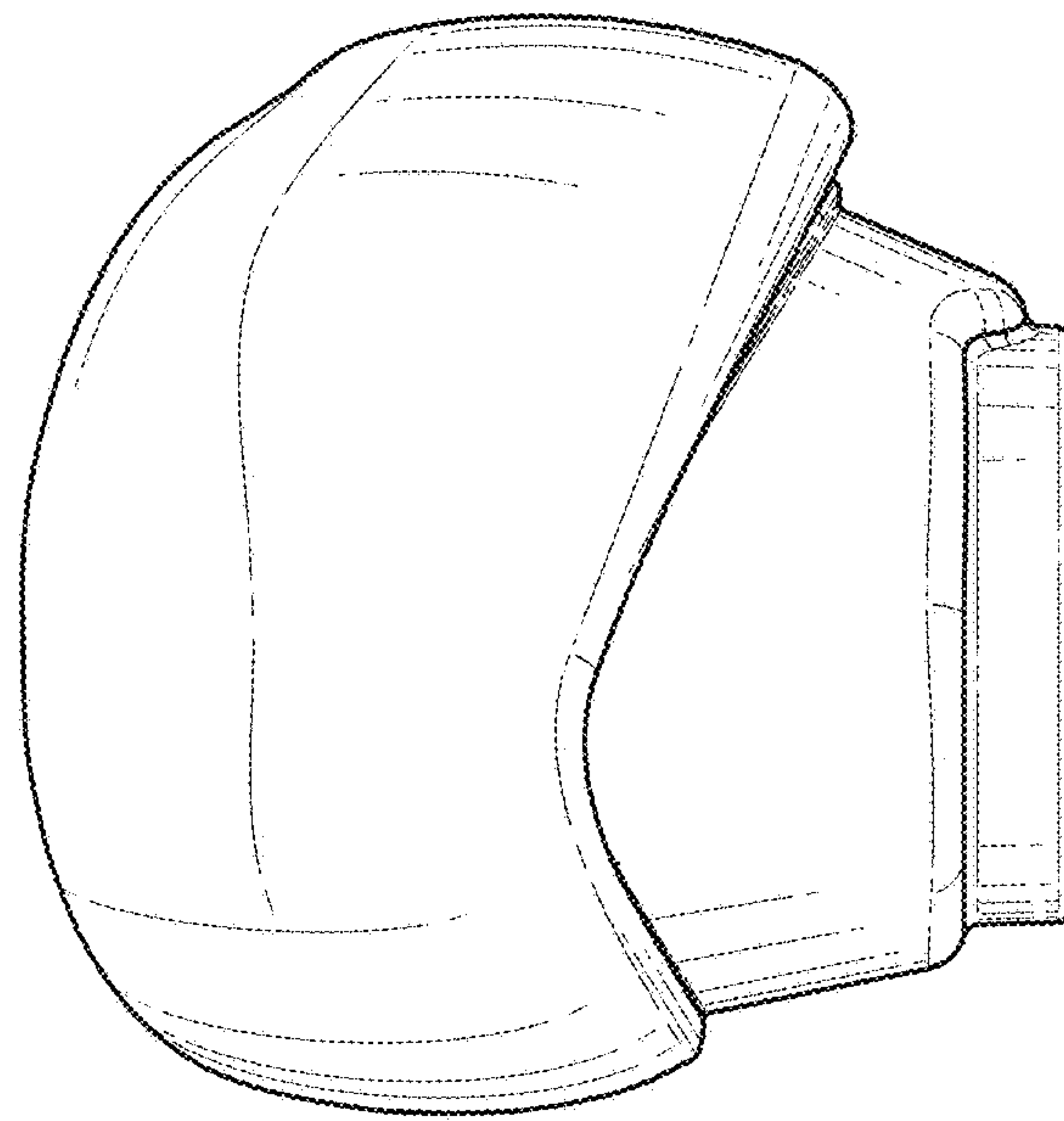


FIG. 5

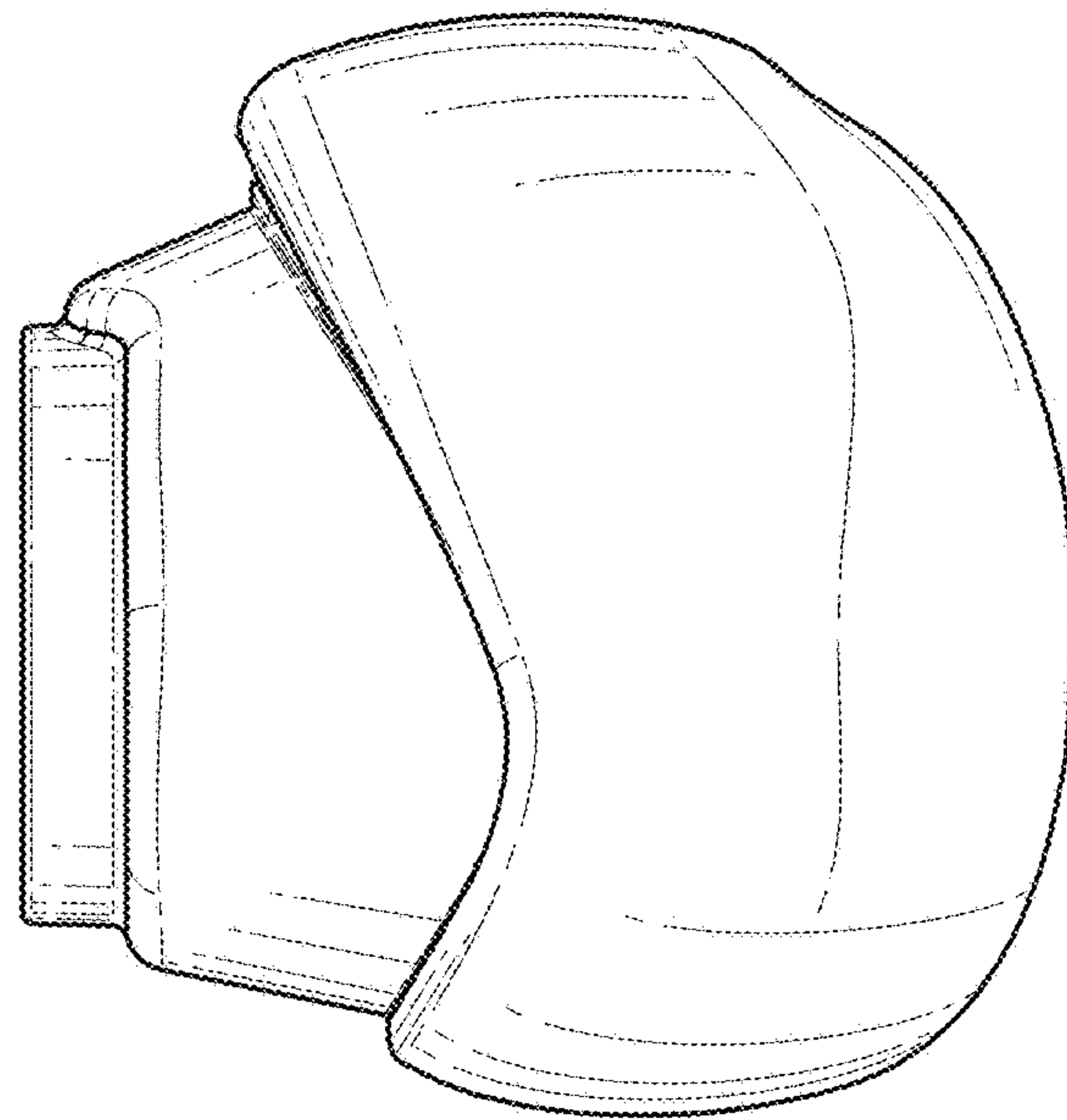


FIG. 6

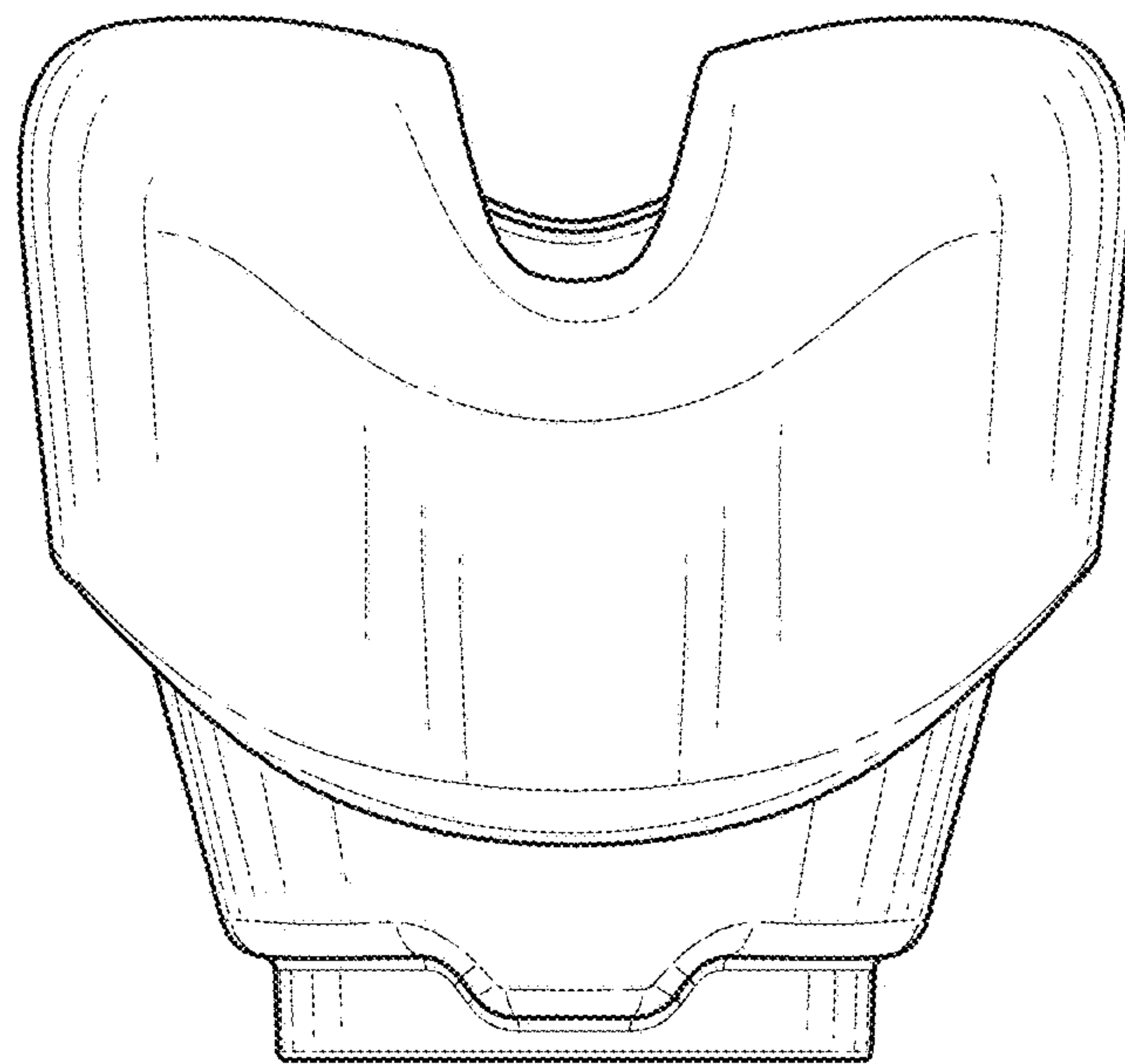


FIG. 7

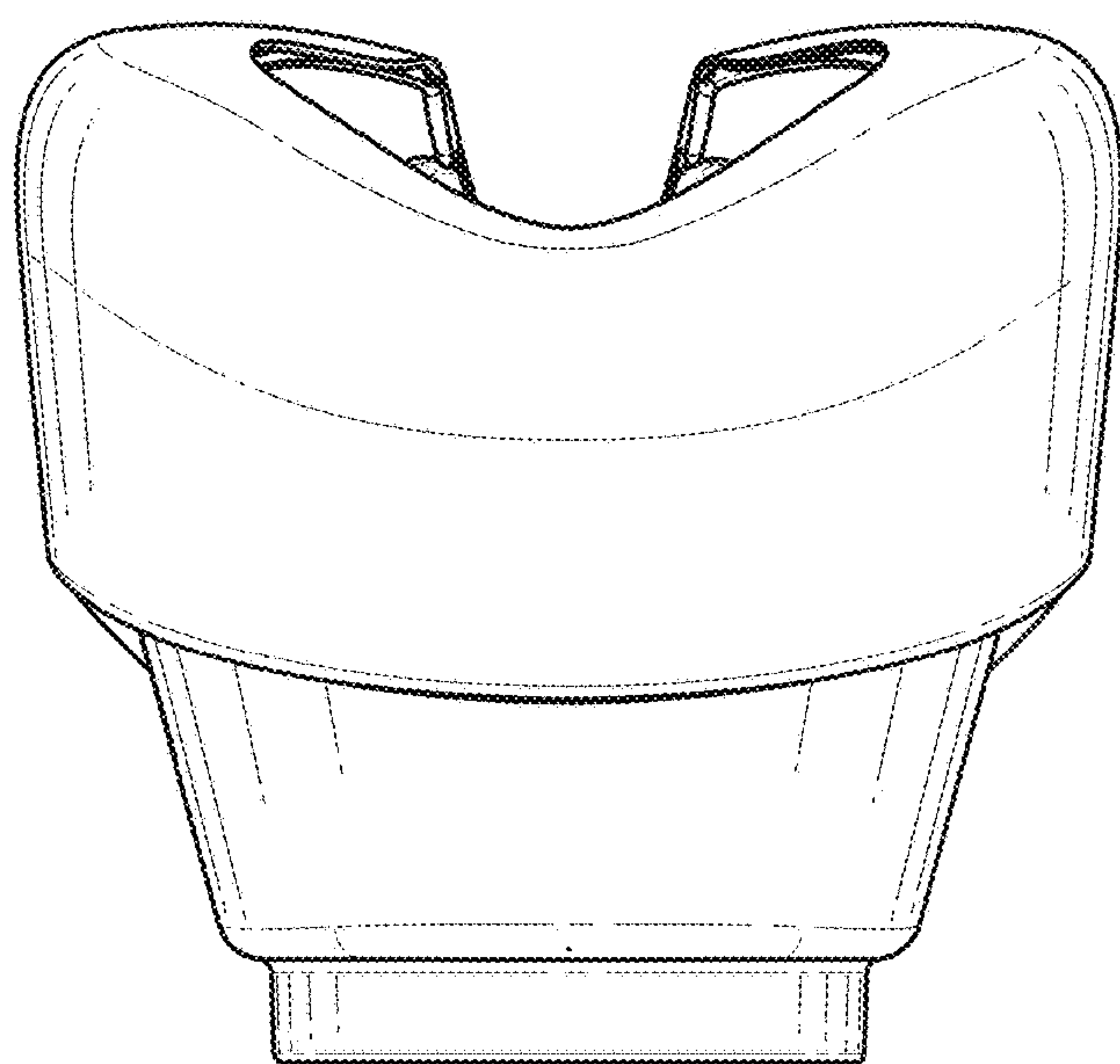


FIG. 8

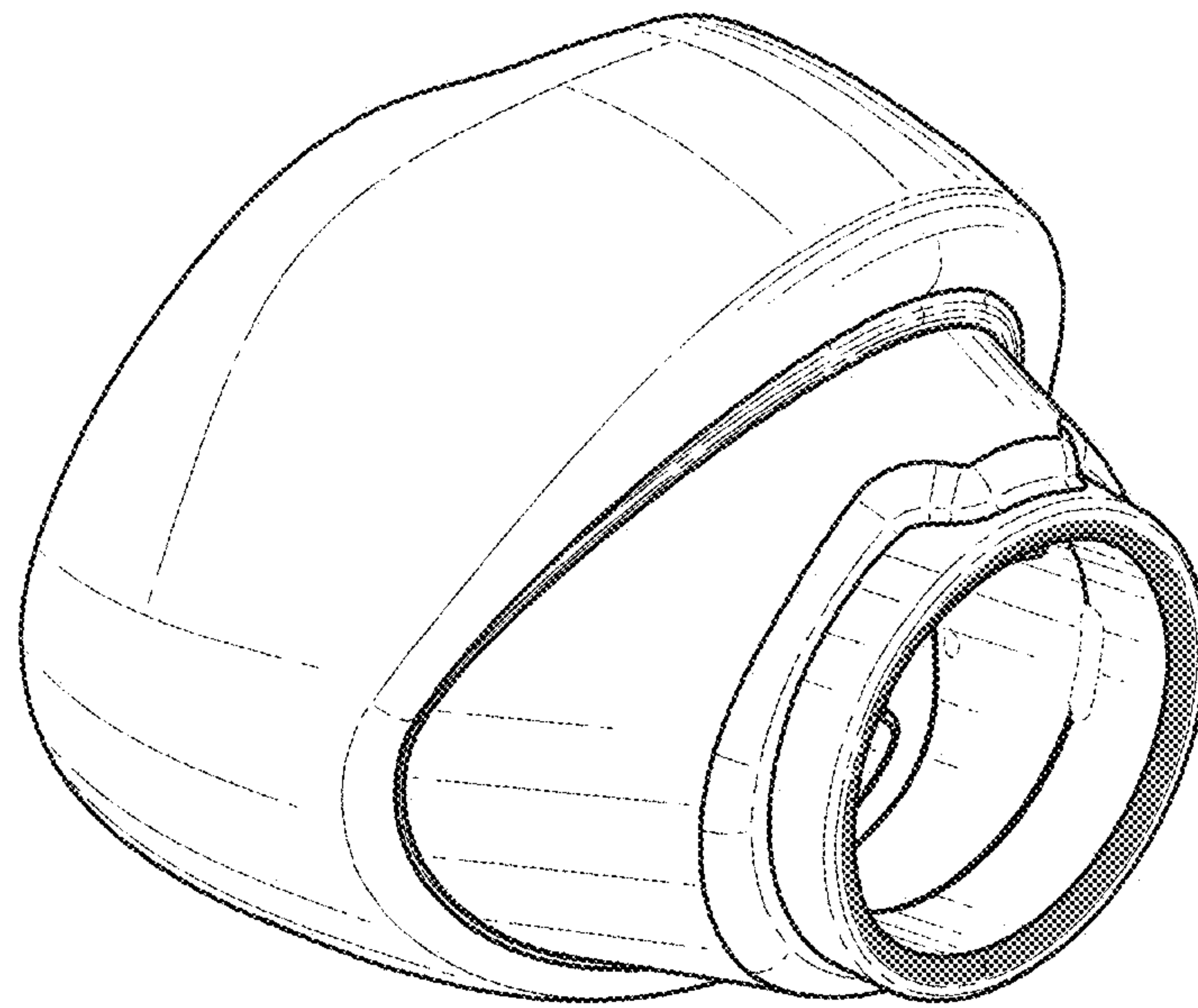


FIG. 9

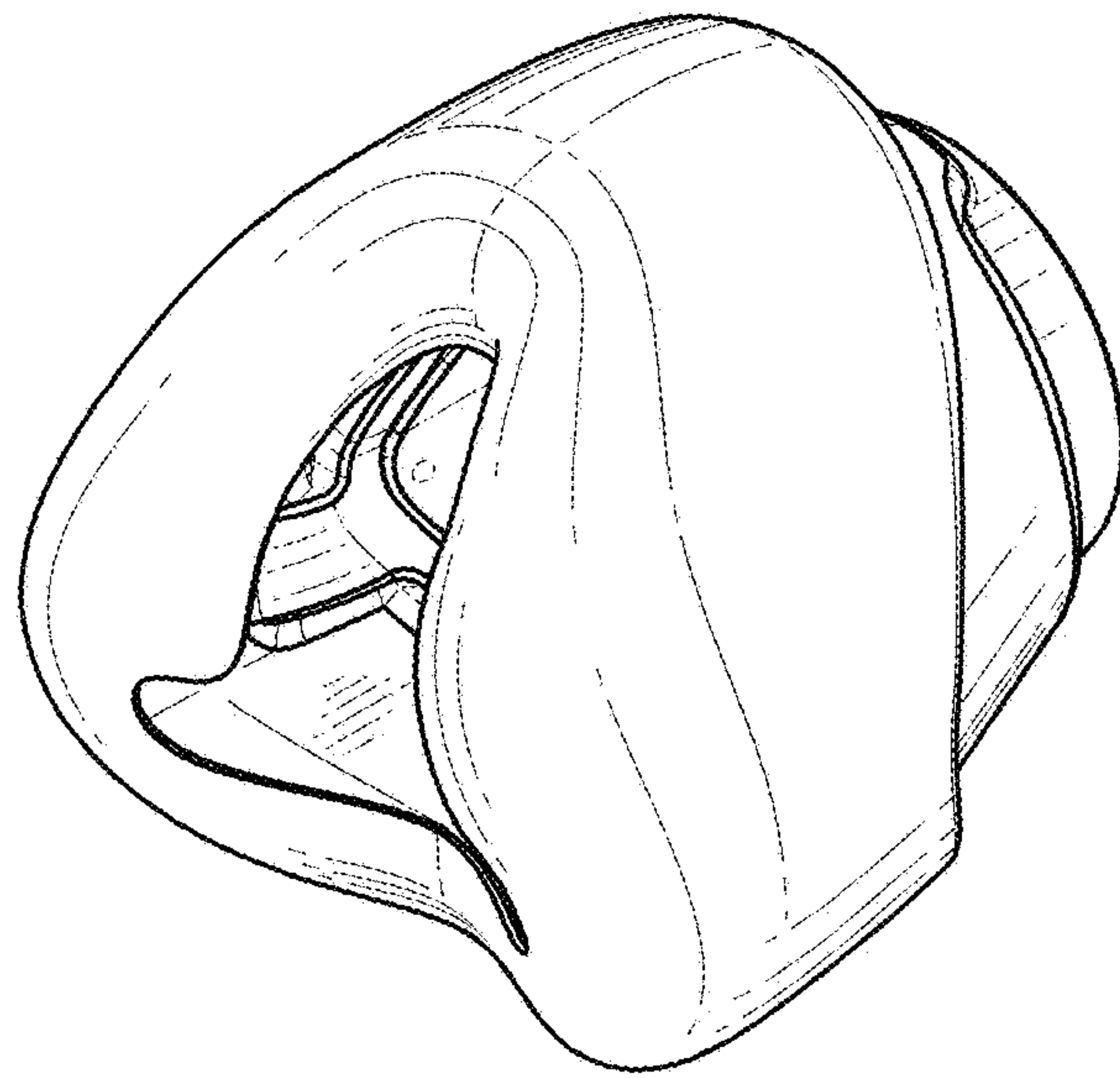


FIG. 10

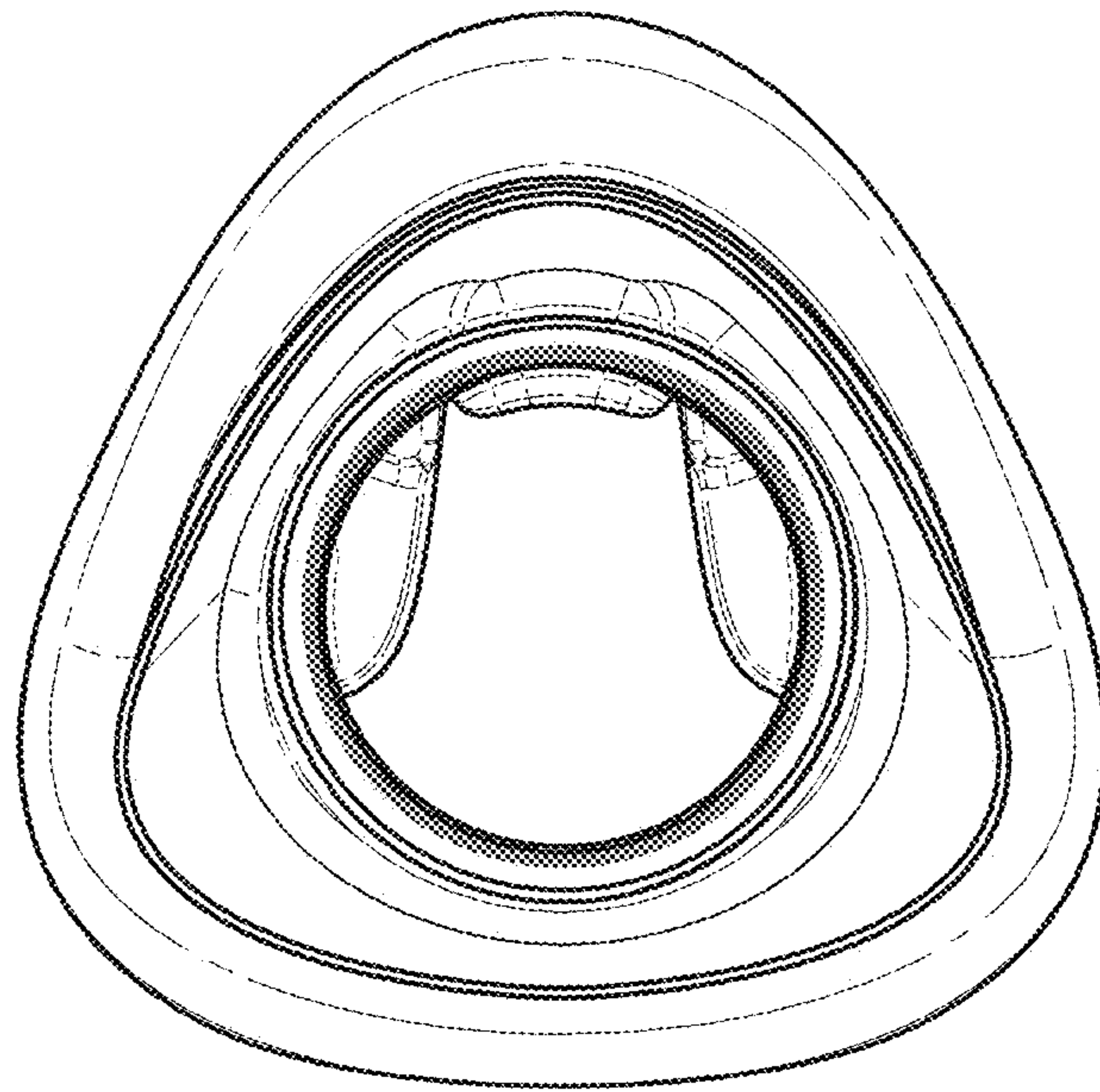


FIG. 11

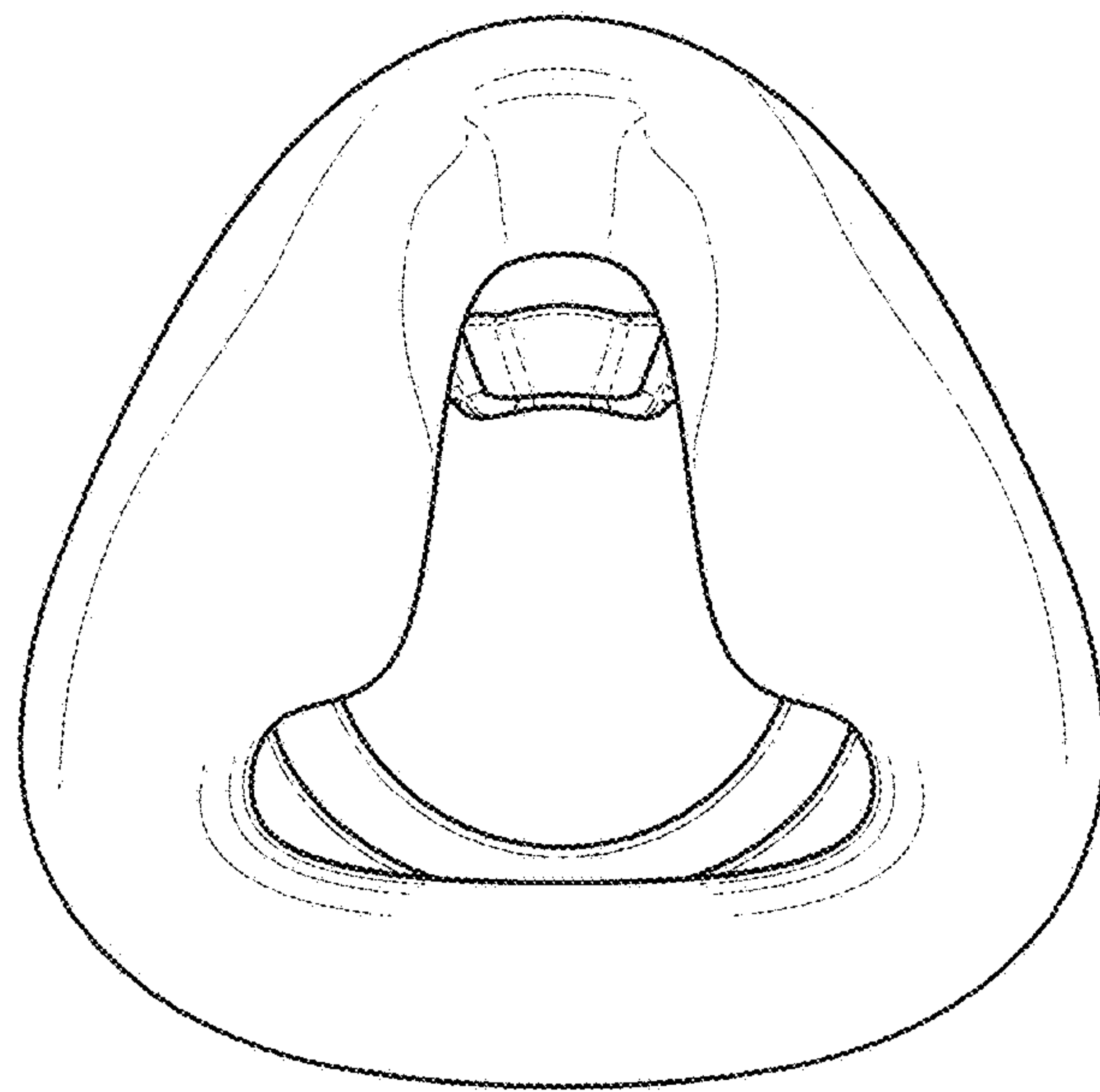


FIG. 12

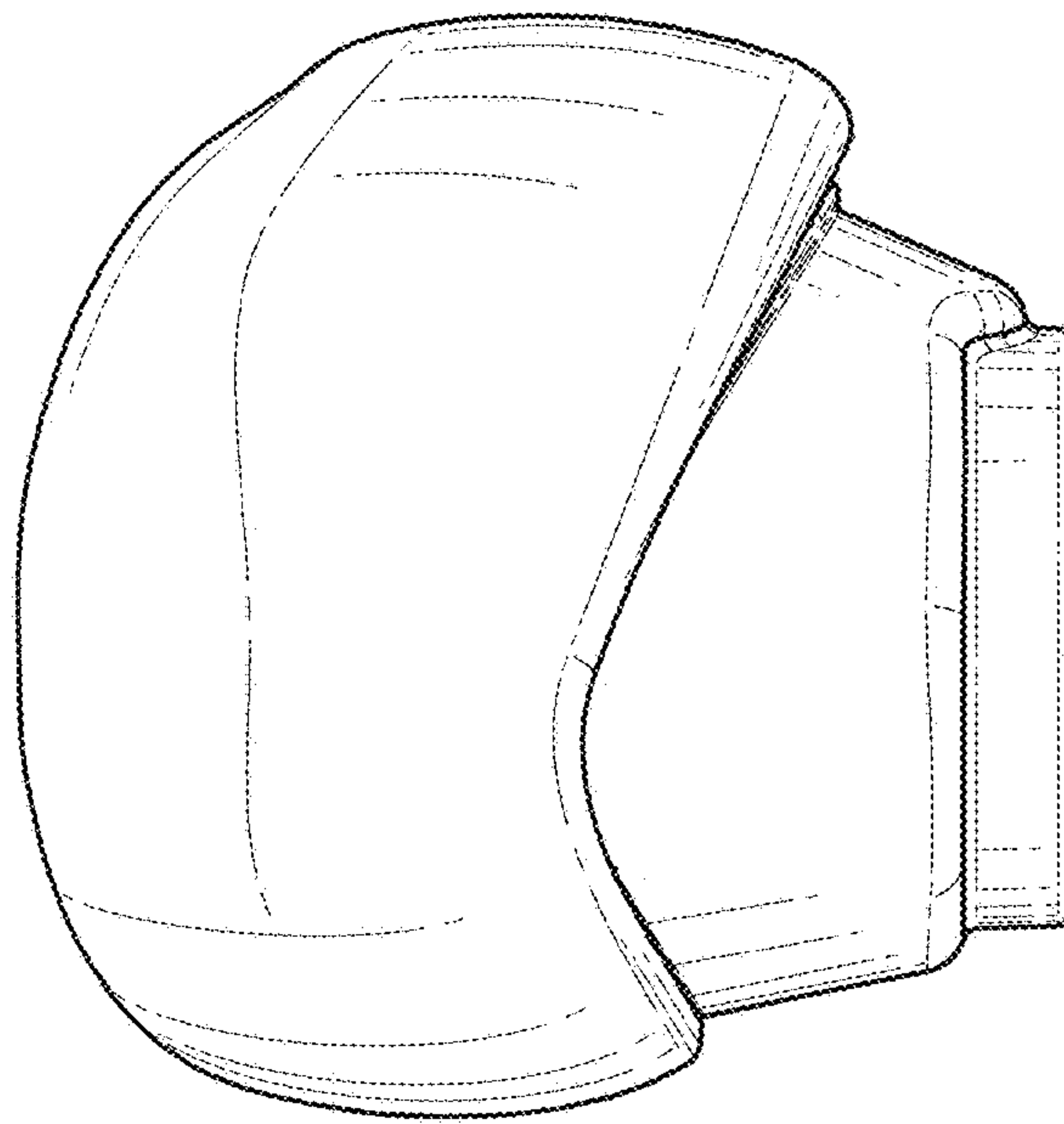


FIG. 13

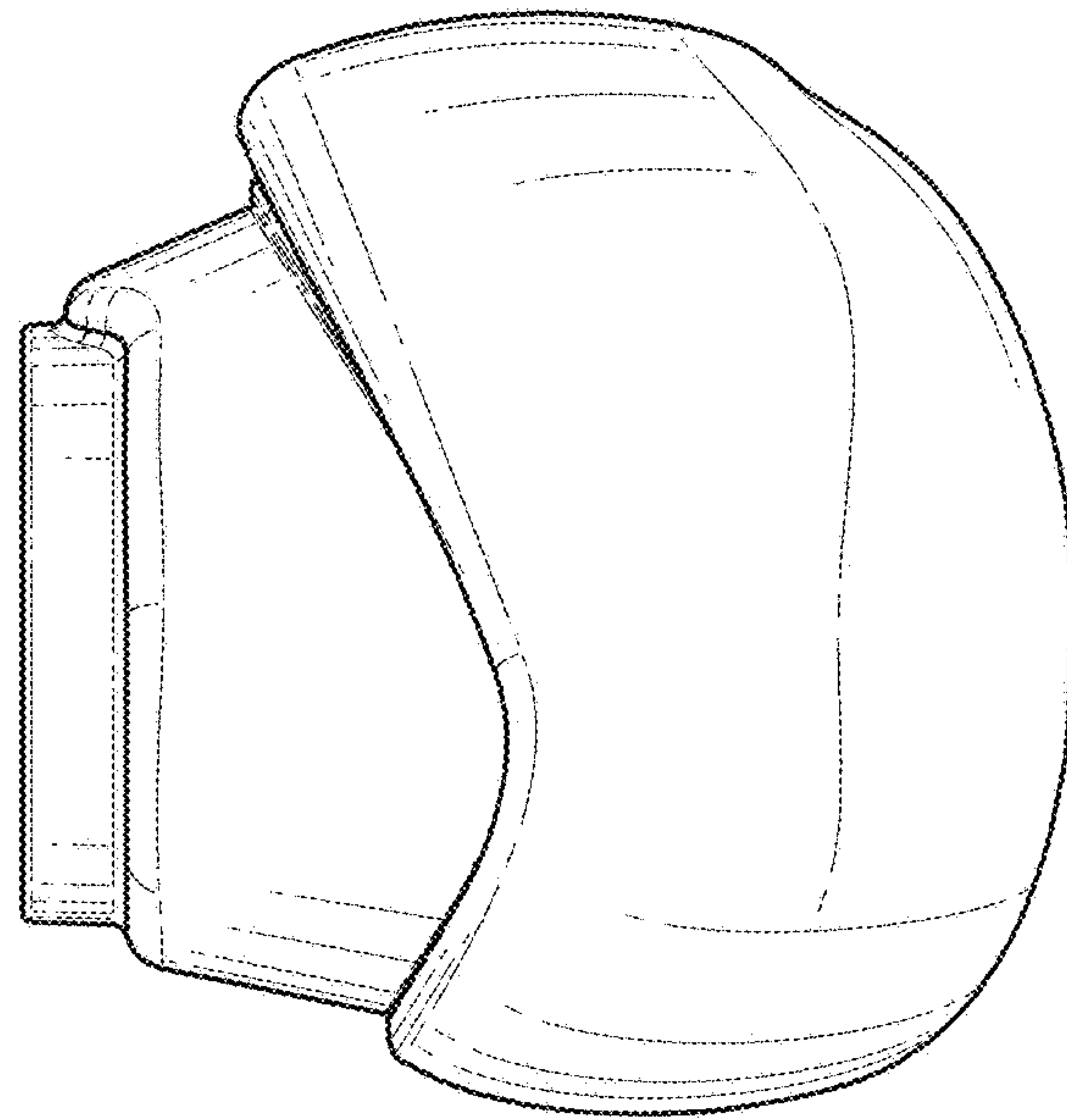


FIG. 14

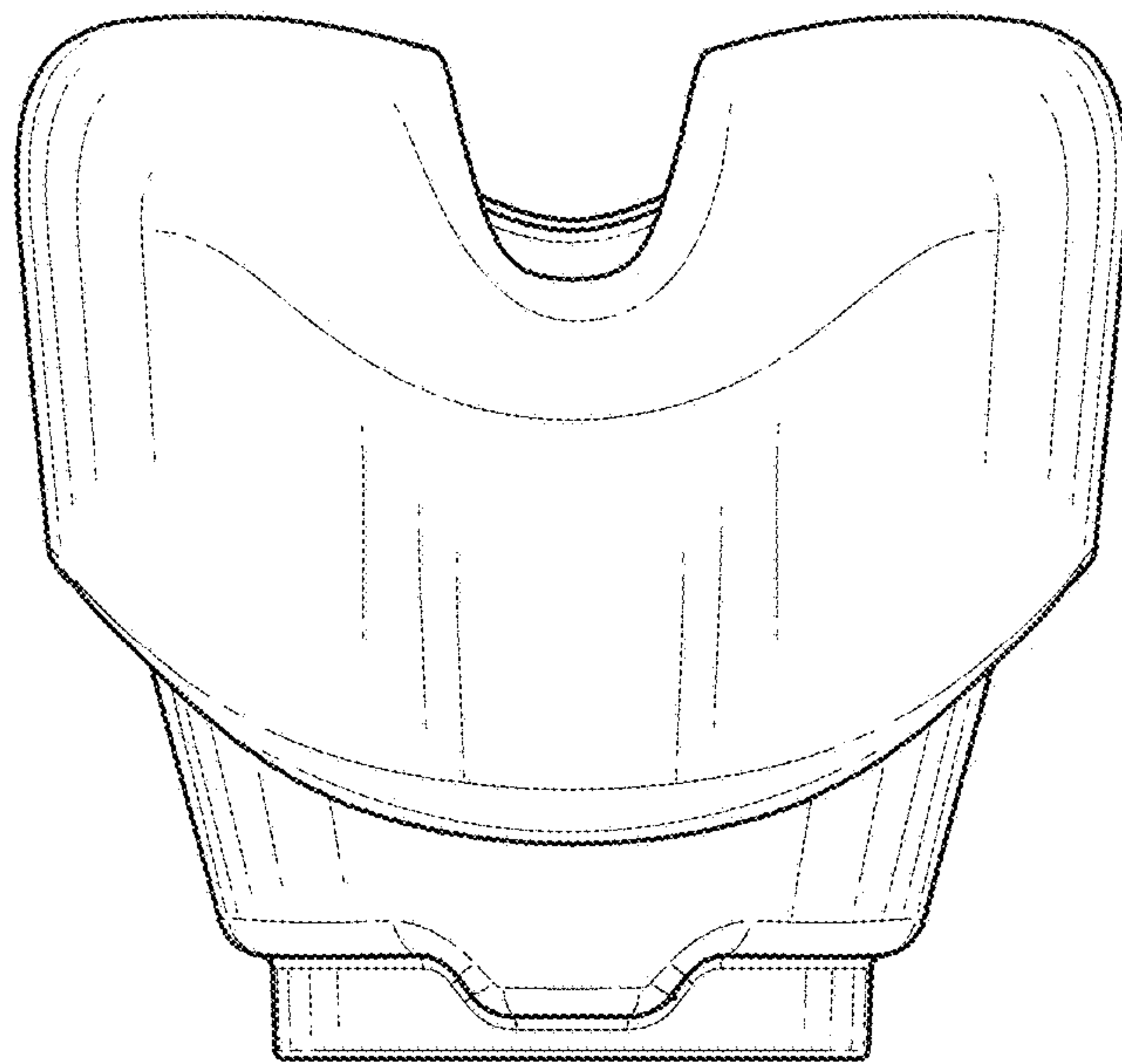


FIG. 15

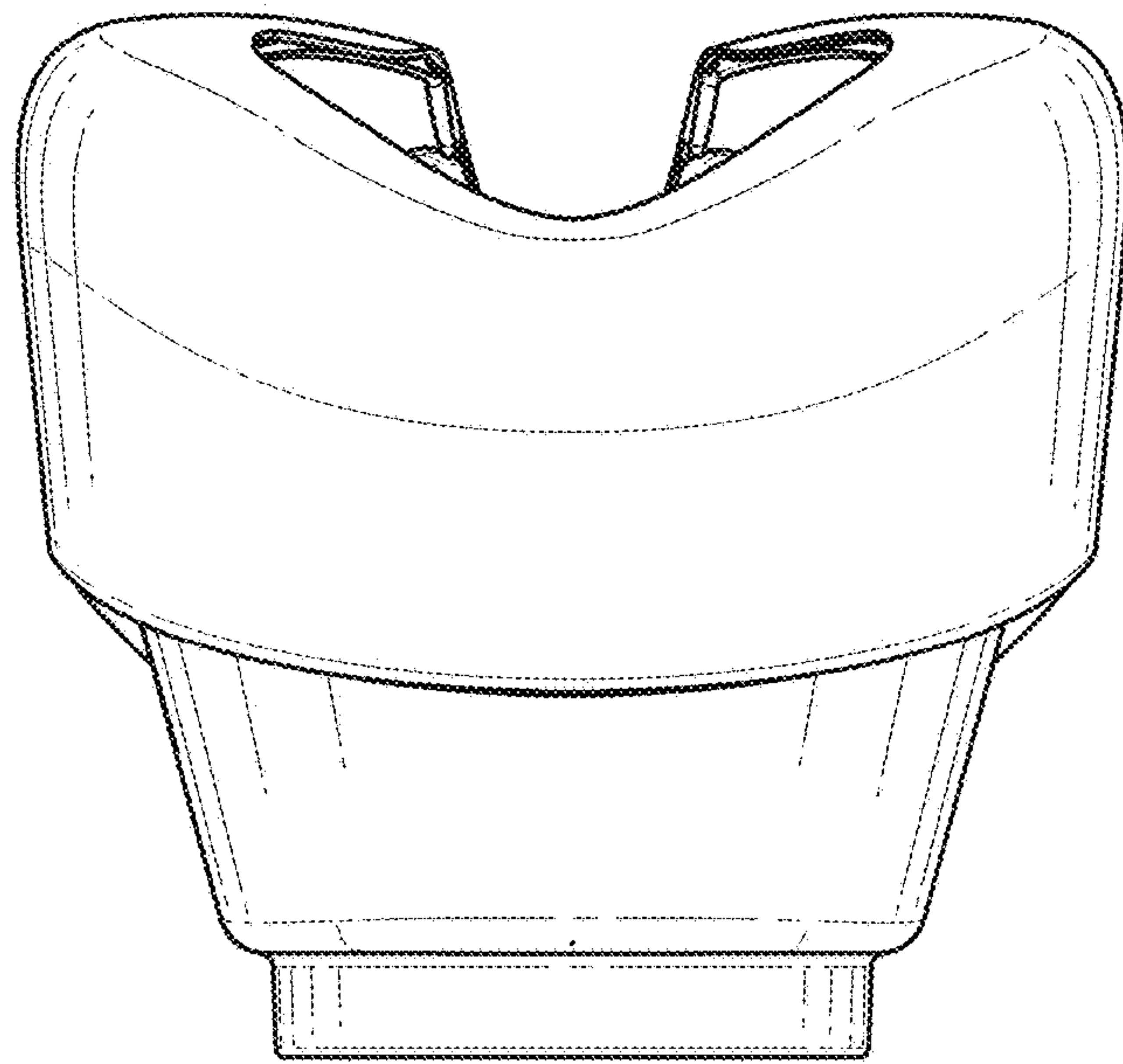


FIG. 16