



US00D849929S

(12) **United States Design Patent**
Collazo et al.

(10) **Patent No.:** **US D849,929 S**

(45) **Date of Patent:** **** May 28, 2019**

(54) **RESPIRATORY MASK**

(71) Applicant: **InnoMed Healthscience, Inc.**, Coconut Creek, FL (US)

(72) Inventors: **Louis Javier Collazo**, Pompano Beach, FL (US); **Christopher Agami**, Coral Springs, FL (US); **Bruce M. Sher**, North Palm Beach, FL (US); **Shara A. Hernandez**, Davie, FL (US)

(73) Assignee: **InnoMed Healthscience, Inc.**, Coconut Creek, FL (US)

(**) Term: **15 Years**

(21) Appl. No.: **29/626,224**

(22) Filed: **Nov. 15, 2017**

(51) **LOC (11) Cl.** **29-02**

(52) **U.S. Cl.**
USPC **D24/110.1**

(58) **Field of Classification Search**
USPC D24/110.1, 110.4–110.5, 106, 112, 135, D24/127
CPC A61M 16/0666; A61M 16/0683; A61M 16/06; A61M 2210/0618; A61M 16/0672; A61M 16/0622; A62B 23/06
See application file for complete search history.

(56) **References Cited**

U.S. PATENT DOCUMENTS

D486,227 S *	2/2004	Fu	D24/110.1
D550,352 S *	9/2007	Chandran	D24/110.1
D550,836 S *	9/2007	Chandran	D24/110.1
D564,089 S *	3/2008	Chandran	D24/110.1
D568,985 S *	5/2008	Chandran	D24/110.1
D583,047 S *	12/2008	Chandran	D24/110.1
D583,049 S *	12/2008	Chandran	D24/110.1
D589,139 S *	3/2009	Guney	D24/110.1
D612,933 S *	3/2010	Prentice	D24/110.1

D645,557 S *	9/2011	Scheiner	D24/110.1
D674,480 S *	1/2013	Prentice	D24/110.1
D770,608 S *	11/2016	Allum	D24/110.1
2006/0124131 A1 *	6/2006	Chandran	A61M 16/06 128/206.28
2008/0276938 A1 *	11/2008	Jeppesen	A61M 16/0666 128/204.18
2009/0095303 A1 *	4/2009	Sher	A61M 16/06 128/207.18
2009/0272386 A1 *	11/2009	Kurtz	A61F 5/56 128/848
2014/0083419 A1 *	3/2014	Collazo	A61M 16/208 128/202.22
2014/0360499 A1 *	12/2014	Peets	A61M 16/0672 128/204.12

(Continued)

Primary Examiner — Lilyana Bekic

(74) *Attorney, Agent, or Firm* — Maier & Maier, PLLC

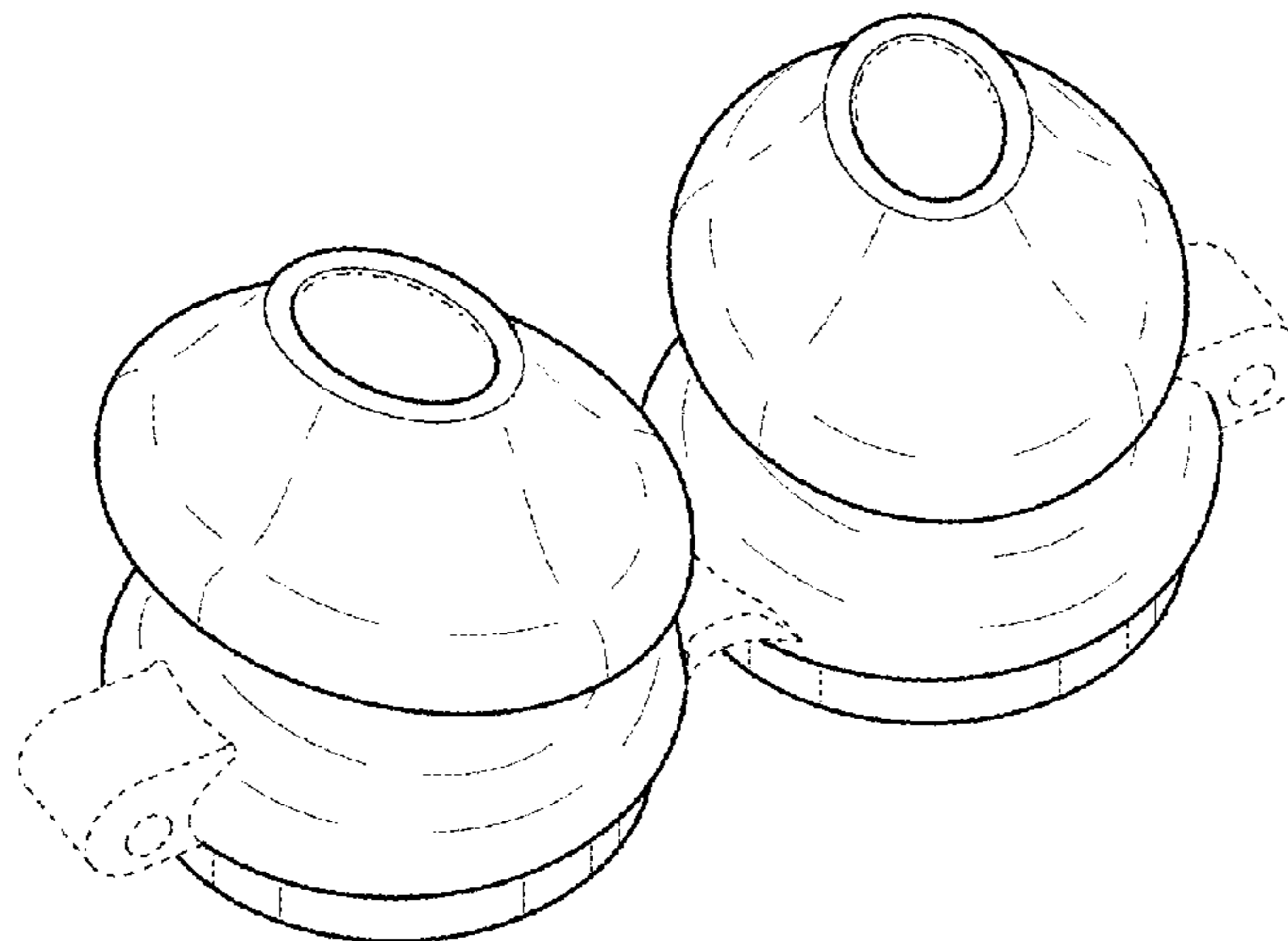
(57) **CLAIM**

The ornamental design for a respiratory mask, as shown and described.

DESCRIPTION

FIG. 1 is a top perspective view of a respiratory mask; FIG. 2 is a bottom perspective view thereof; FIG. 3 is a top plan view thereof; FIG. 4 is a bottom plan view thereof; FIG. 5 is a front elevation view thereof; FIG. 6 is a rear elevation view thereof; FIG. 7 is a left side elevation view thereof; and, FIG. 8 is a right side elevation view thereof. The broken line showing of portions of the respiratory mask form no part of the claimed design. The dot-dash-dot broken lines define the bounds of the claim and form no part thereof. The boundary lines appear on interior surfaces of the respiratory mask, where visible, and immediately adjacent to claimed edges, representing that the interior surface forms no part of the claimed design.

1 Claim, 4 Drawing Sheets



(56)

References Cited

U.S. PATENT DOCUMENTS

2015/0075530 A1* 3/2015 Collazo A61M 16/06
128/205.25
2015/0250973 A1* 9/2015 Allum A61M 16/0666
128/205.25
2017/0216634 A1* 8/2017 Wan A62B 23/06
2017/0368285 A1* 12/2017 Wood A61M 16/0666
2018/0008155 A1* 1/2018 Melker A61M 16/0627

* cited by examiner

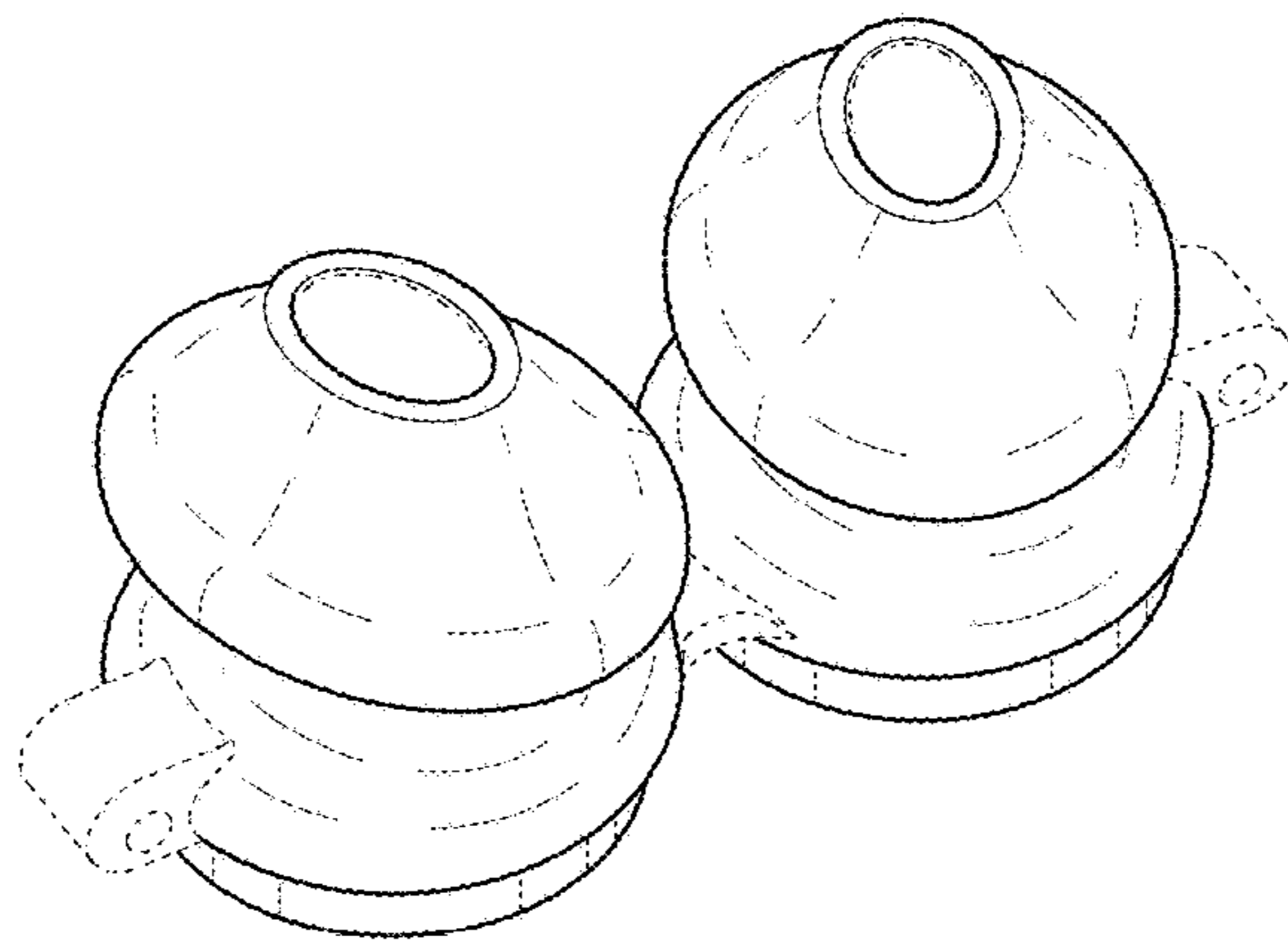


Fig. 1

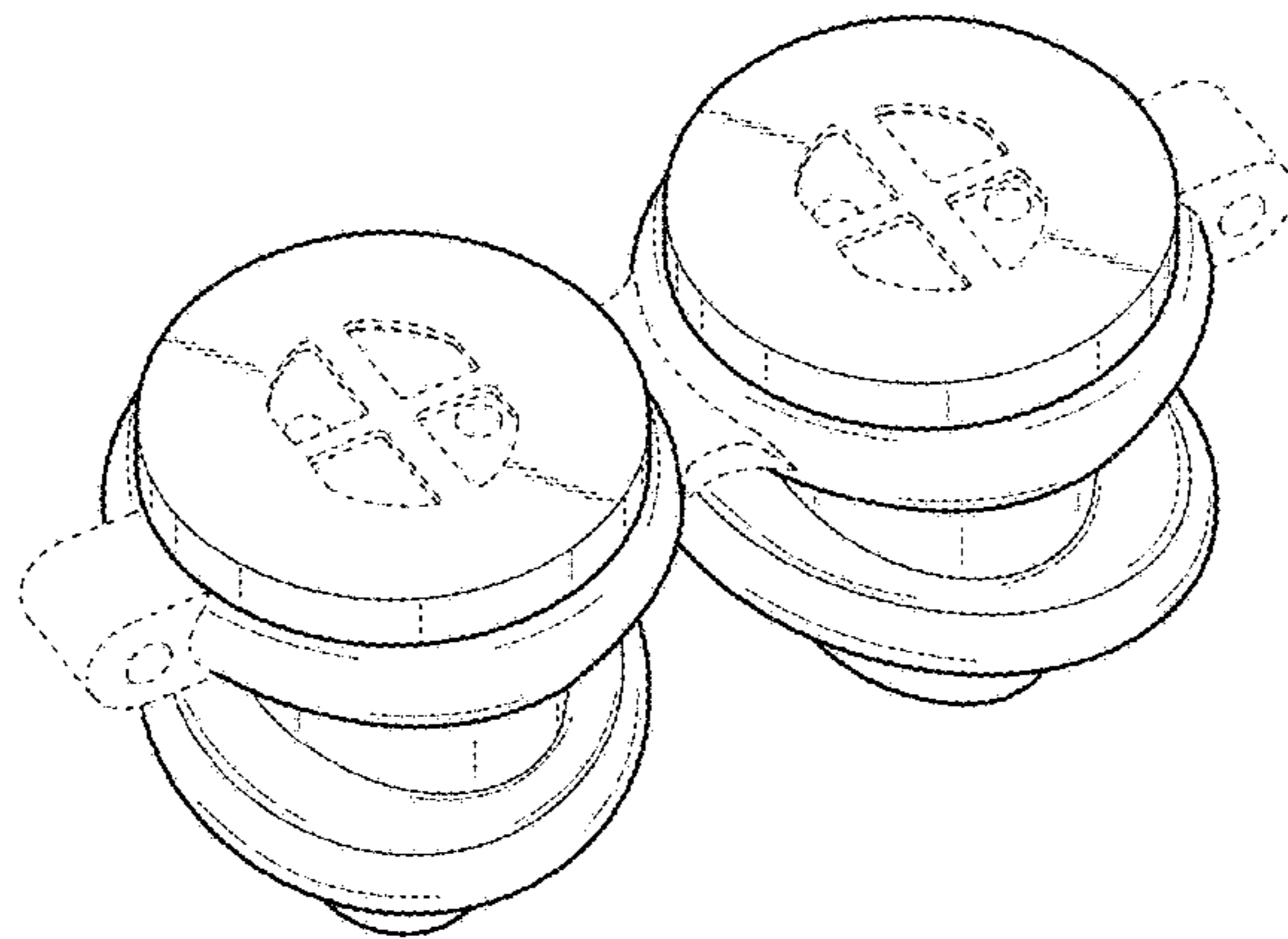


Fig. 2

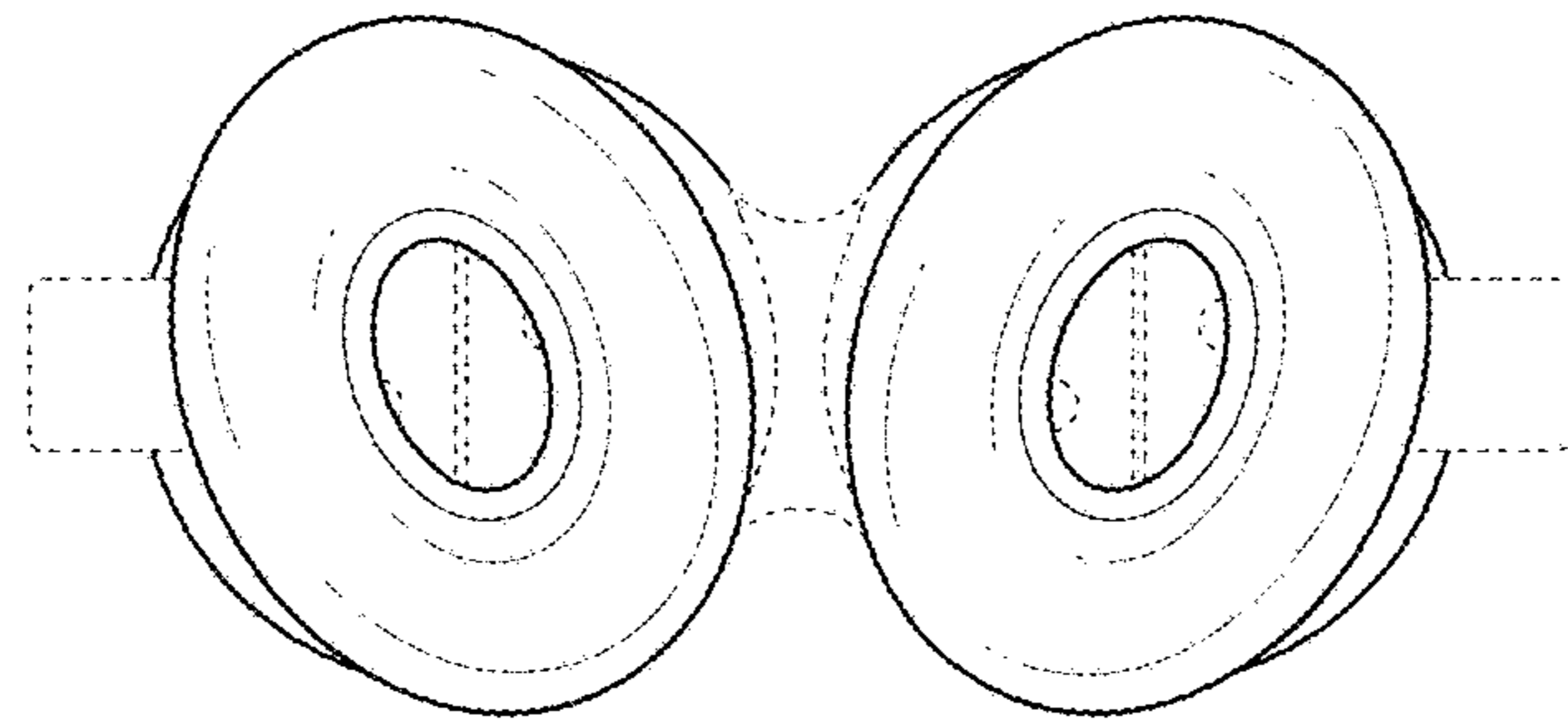


Fig. 3

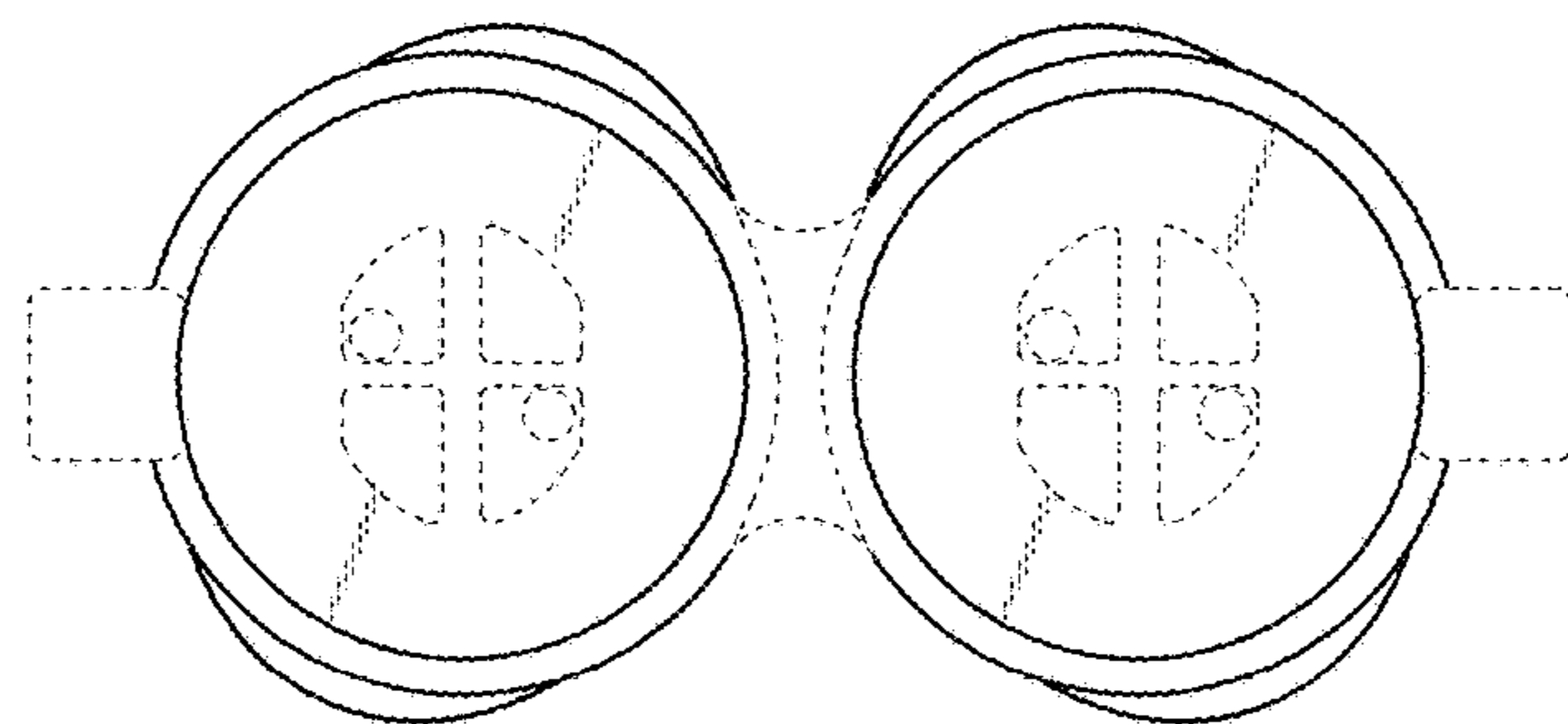


Fig. 4

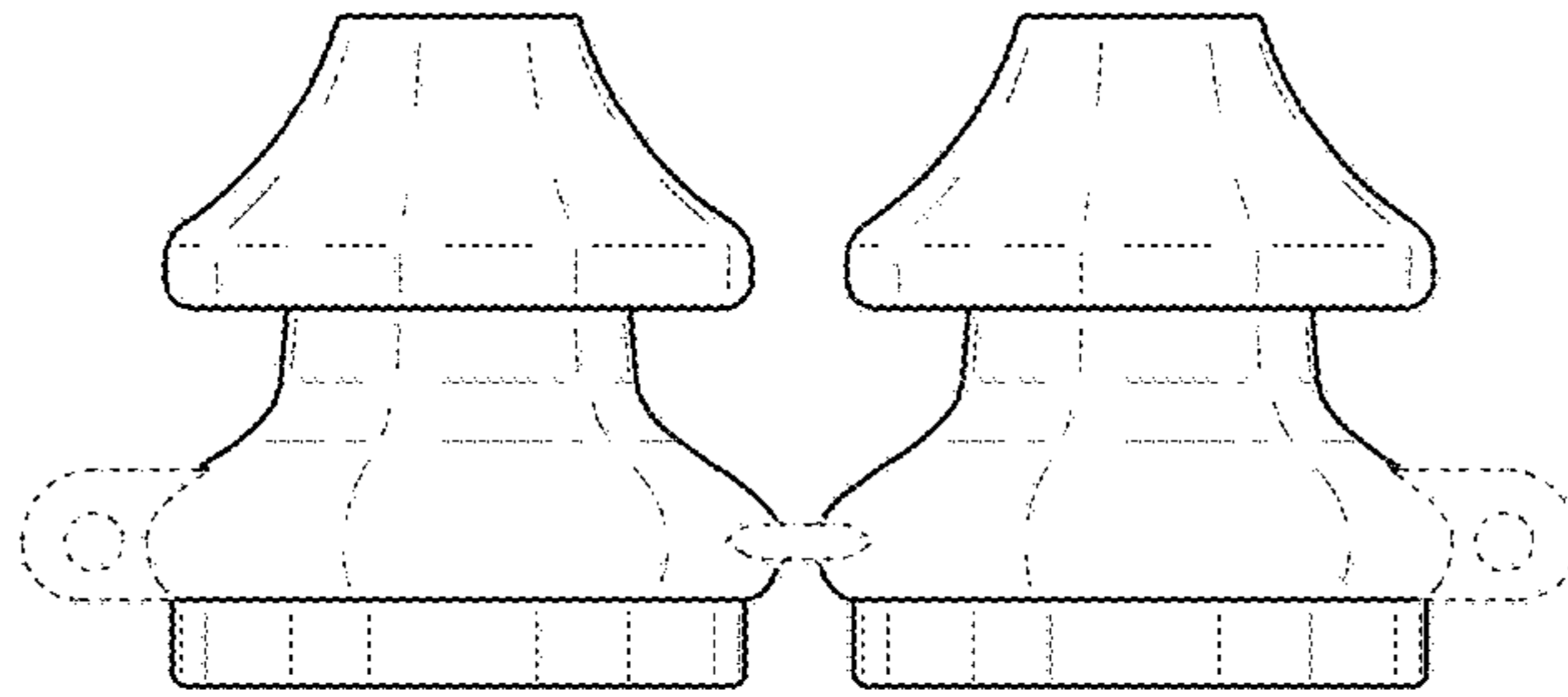


Fig. 5

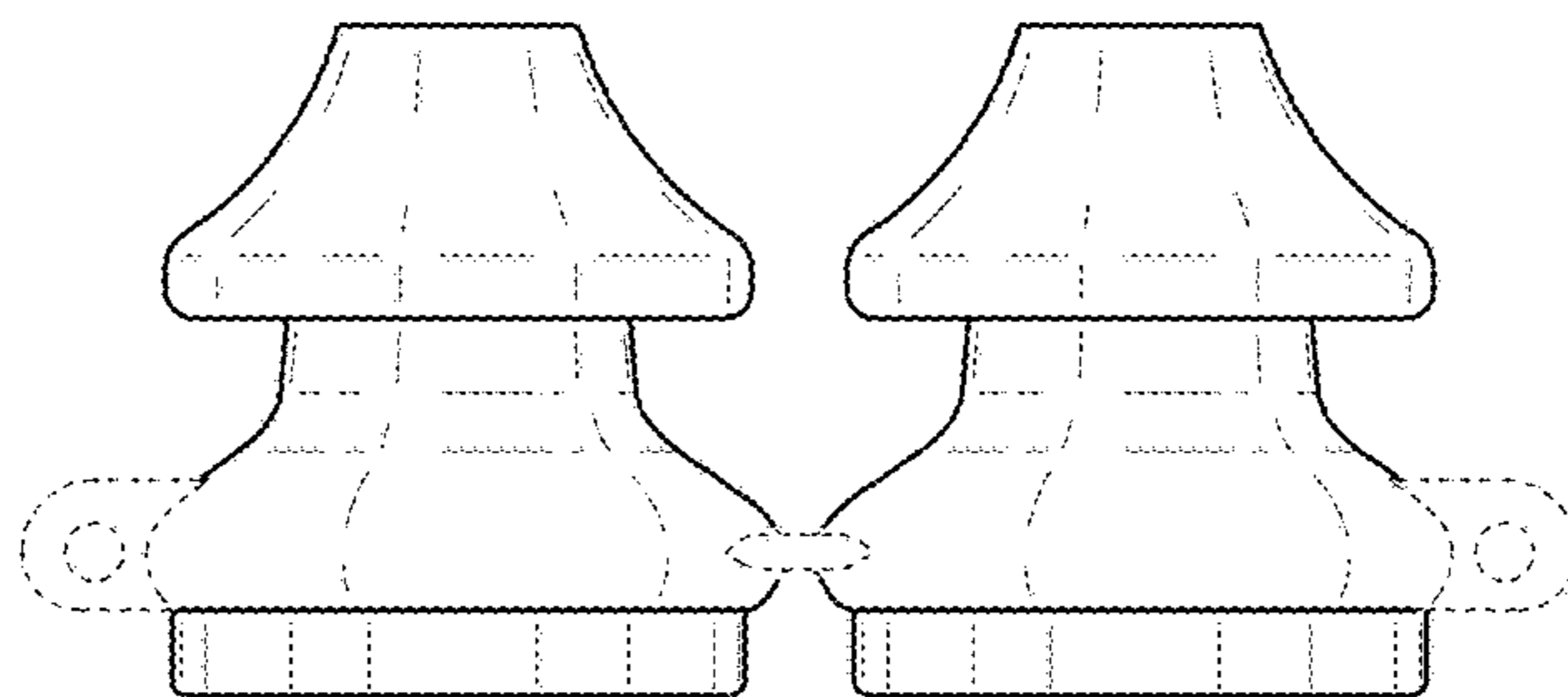


Fig. 6

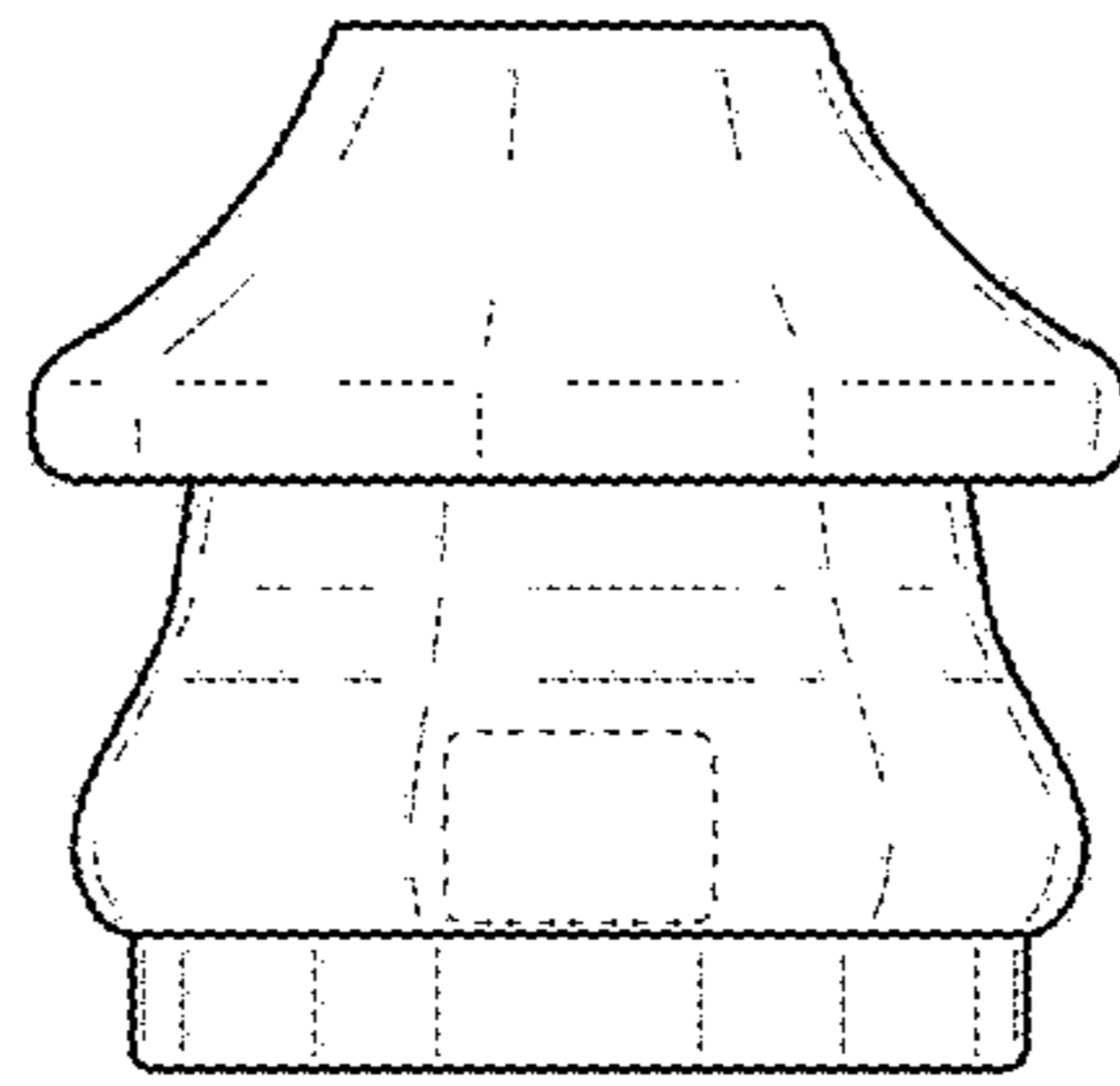


Fig. 7

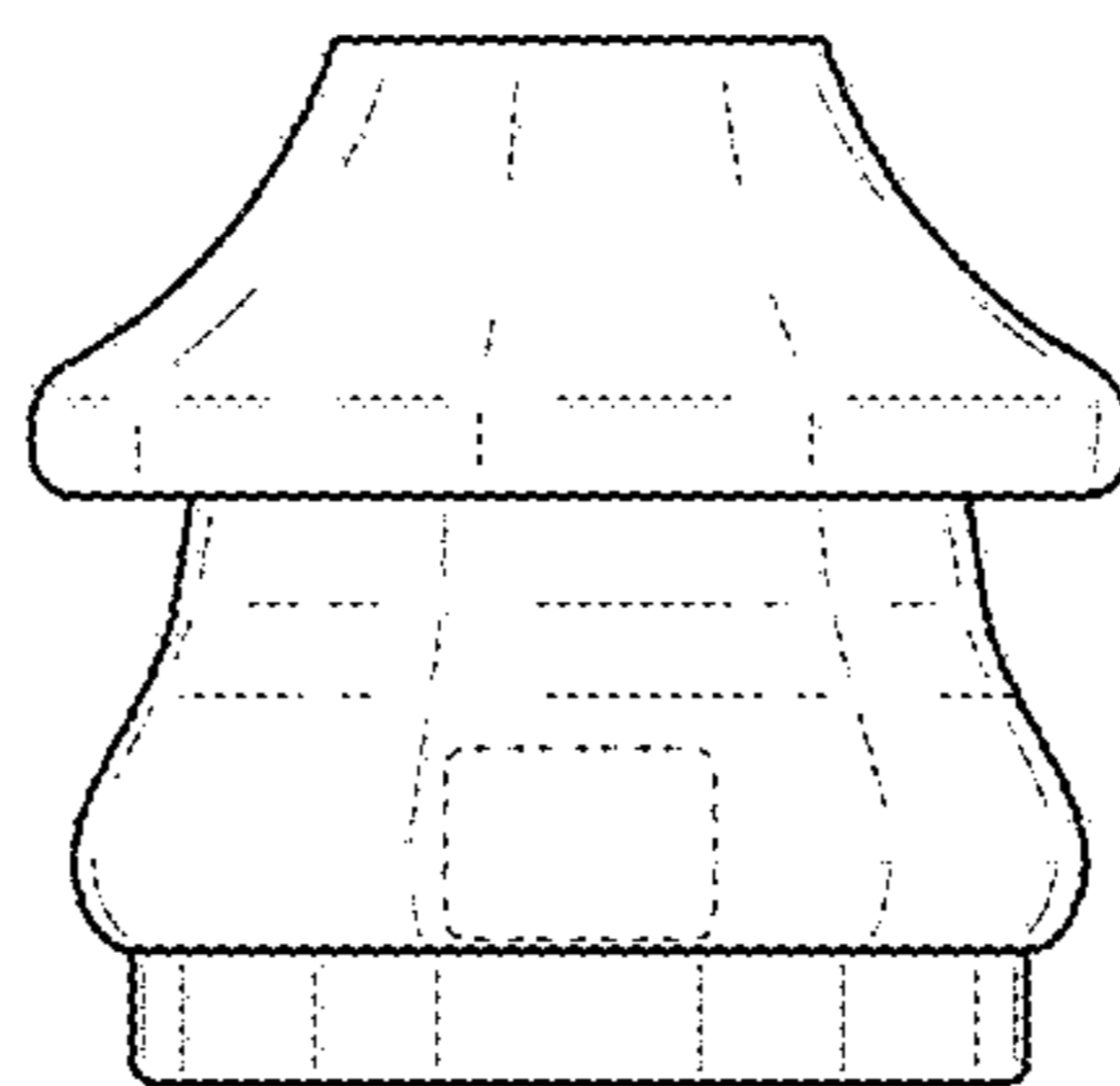


Fig. 8