



US00D849924S

(12) **United States Design Patent** (10) **Patent No.:** **US D849,924 S**
Sanders et al. (45) **Date of Patent:** **** May 28, 2019**

(54) **AIR MOVER**

(71) Applicant: **Emerson Electric Co.**, St. Louis, MO (US)

(72) Inventors: **Jeremy Sanders**, St. Louis, MO (US);
Douglas C. Schultz, Glen Carbon, IL (US); **Alex J. Wall**, St. Louis, MO (US)

(73) Assignee: **Emerson Electric Co.**, St. Louis, MO (US)

(**) Term: **15 Years**

(21) Appl. No.: **29/636,866**

(22) Filed: **Feb. 12, 2018**

(51) **LOC (11) Cl.** **23-04**

(52) **U.S. Cl.**
USPC **D23/383**; D32/15

(58) **Field of Classification Search**
USPC D32/15, 16; D23/370-385, 411-414,
D23/365, 364

CPC F26B 21/001; F26B 21/004; F04D 25/084;
A47L 5/22; B01D 21/0039; B01D
21/0042

See application file for complete search history.

(56) **References Cited**

U.S. PATENT DOCUMENTS

5,174,048	A *	12/1992	Shero	F26B 21/001 34/444
D340,326	S *	10/1993	Genovese	D32/15
5,265,895	A *	11/1993	Barrett	A47L 5/22 280/47.24
D361,414	S	8/1995	Trautloff et al.		
D417,044	S	11/1999	Ohi et al.		
D422,351	S *	4/2000	Griffin	D23/383
D482,772	S	11/2003	Dooley		
D517,677	S	3/2006	Bartholmey		
D530,002	S *	10/2006	Ching	D23/317
D532,897	S *	11/2006	Yoshida	D23/383

D566,823	S	4/2008	Lewis		
D594,962	S	6/2009	Lewis		
D596,283	S	7/2009	Martinez et al.		
7,785,064	B2 *	8/2010	Bartholmey	F04D 29/4246 415/1
D698,433	S	1/2014	Tomasiak et al.		

(Continued)

FOREIGN PATENT DOCUMENTS

CN 303218936 S 5/2015

OTHER PUBLICATIONS

XPOWER 700 CFM Multi-Purpose Blower Fan, The Home Depot, available at <http://www.homedepot.com/p/XPOWER-700-CFM-Multi-Purpose-Blower-Fan-P-130A/206879797> (accessed Dec. 8, 2016).

(Continued)

Primary Examiner — Michelle E. Wilson
(74) *Attorney, Agent, or Firm* — Armstrong Teasdale LLP

(57) **CLAIM**

We claim the ornamental design for an air mover, as shown and described.

DESCRIPTION

FIG. 1 is a front perspective view of an air mover showing the new design;

FIG. 2 is a front view thereof.

FIG. 3 is a rear view thereof.

FIG. 4 is a right side view thereof.

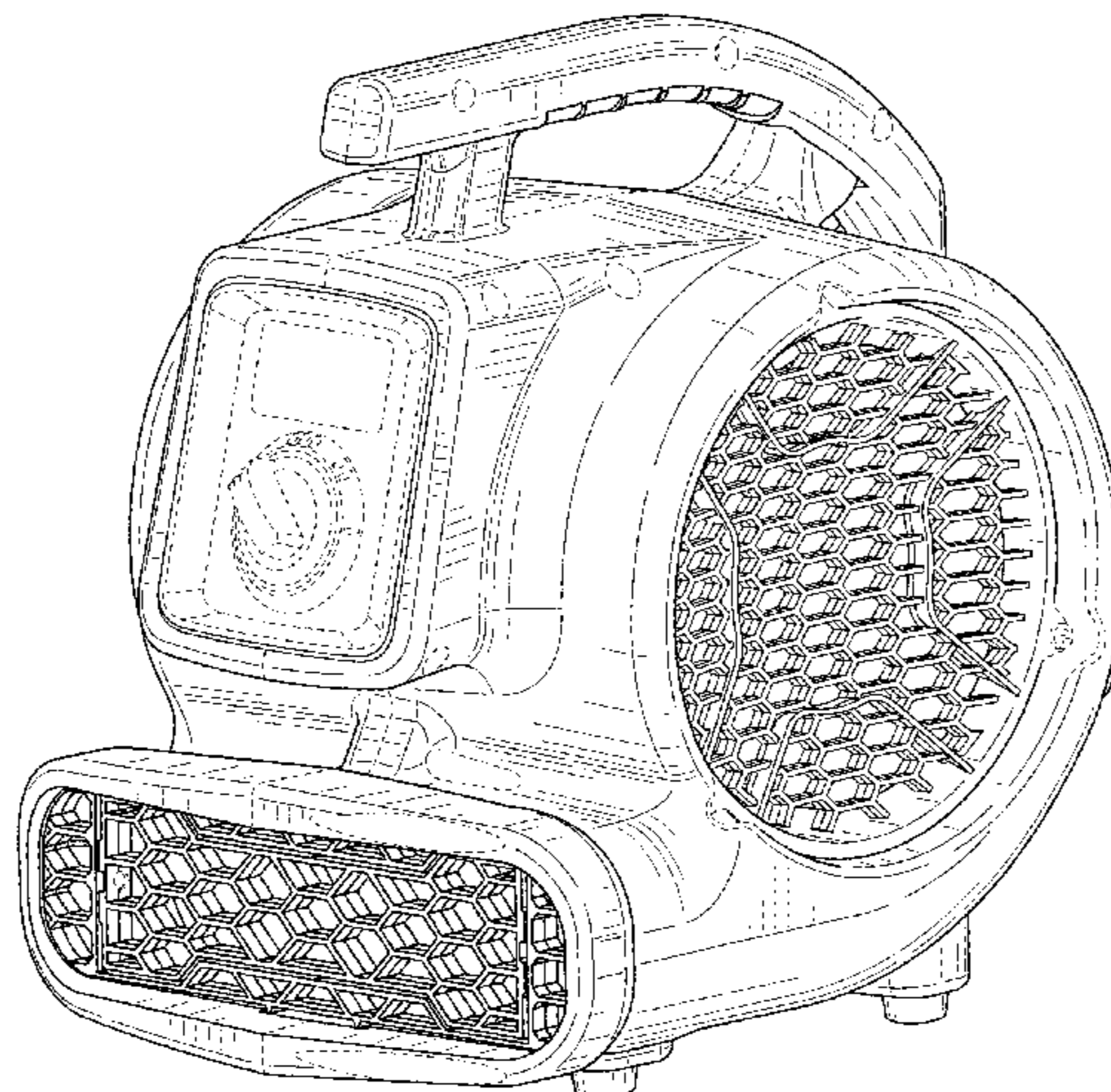
FIG. 5 is a left side view thereof.

FIG. 6 is a top view thereof; and,

FIG. 7 is a bottom view thereof.

The ornamental design which is claimed is shown in solid lines in the drawings. Broken lines, if present in the drawings, are for illustrative purposes only and form no part of the claimed design.

1 Claim, 7 Drawing Sheets



(56)

References Cited

U.S. PATENT DOCUMENTS

D704,908 S * 5/2014 Cui D23/383
D733,981 S * 7/2015 Sechere D32/8
9,121,638 B2 * 9/2015 Black F26B 9/02
D751,685 S 3/2016 Wanezaki
D761,950 S * 7/2016 Kulp D23/383
D810,269 S 2/2018 Sanders
2016/0175472 A1 6/2016 Tan

OTHER PUBLICATIONS

XPOWER 500 CFM Multi-Purpose Blower Fan, The Home Depot, available at http://www.homedepot.com/p/XPOWER-500-CFM-Multi-Purpose-Blower-Fan-P-100A/206879796?MERCH=REC-_-rv_gm_pip_rr_-202942745_-206879796_-N (accessed Dec. 8, 2016).

* cited by examiner

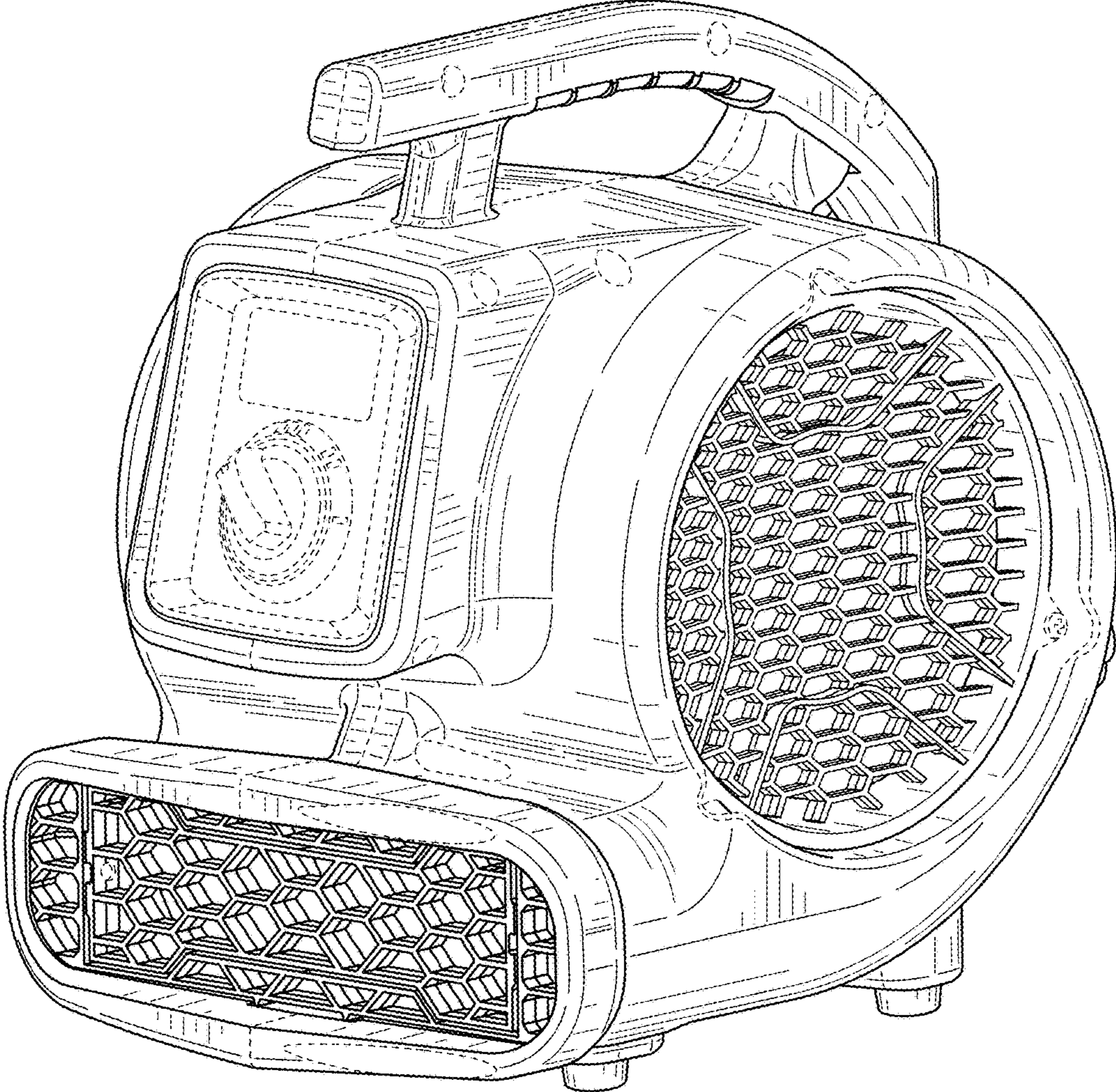


FIG. 1

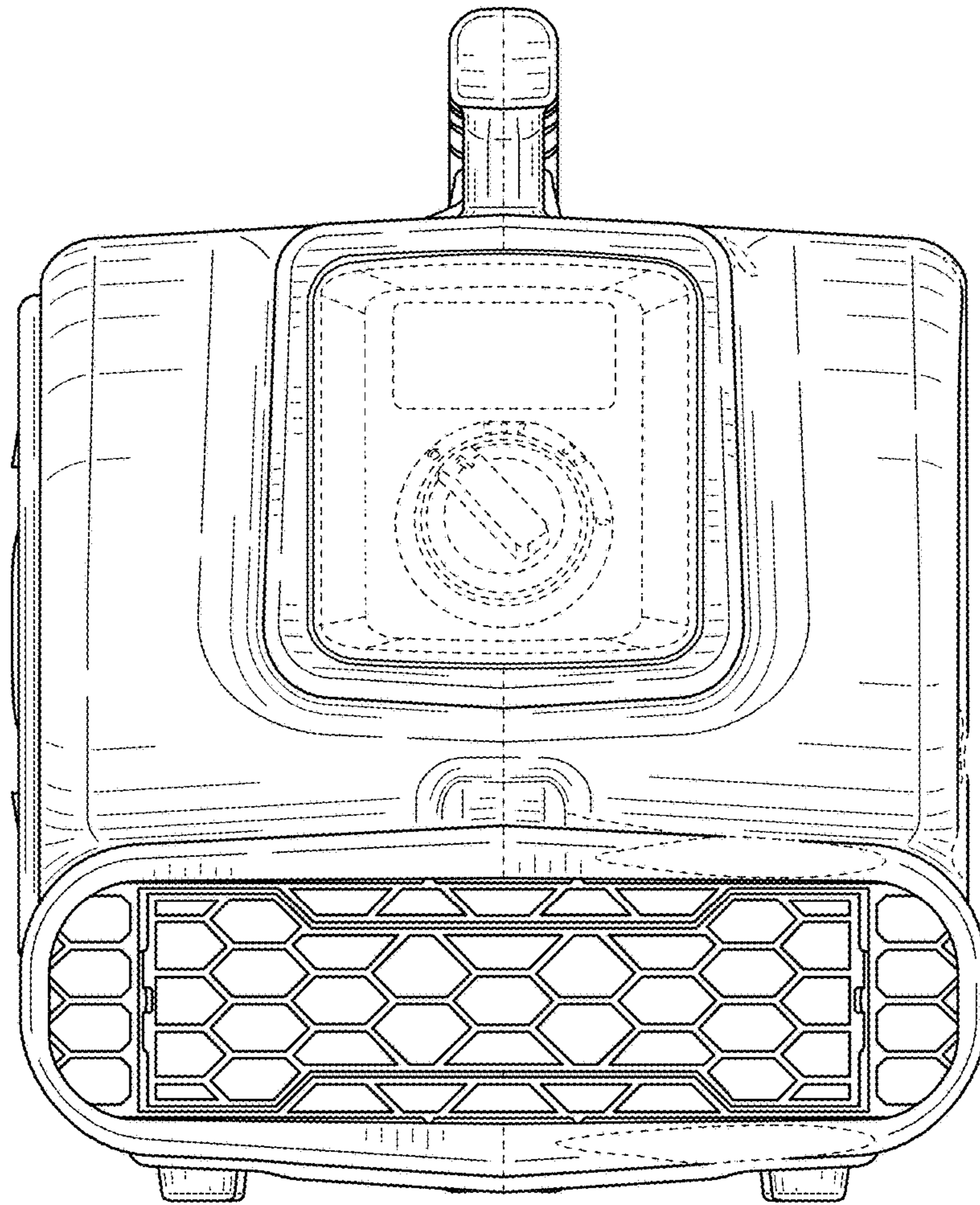


FIG. 2

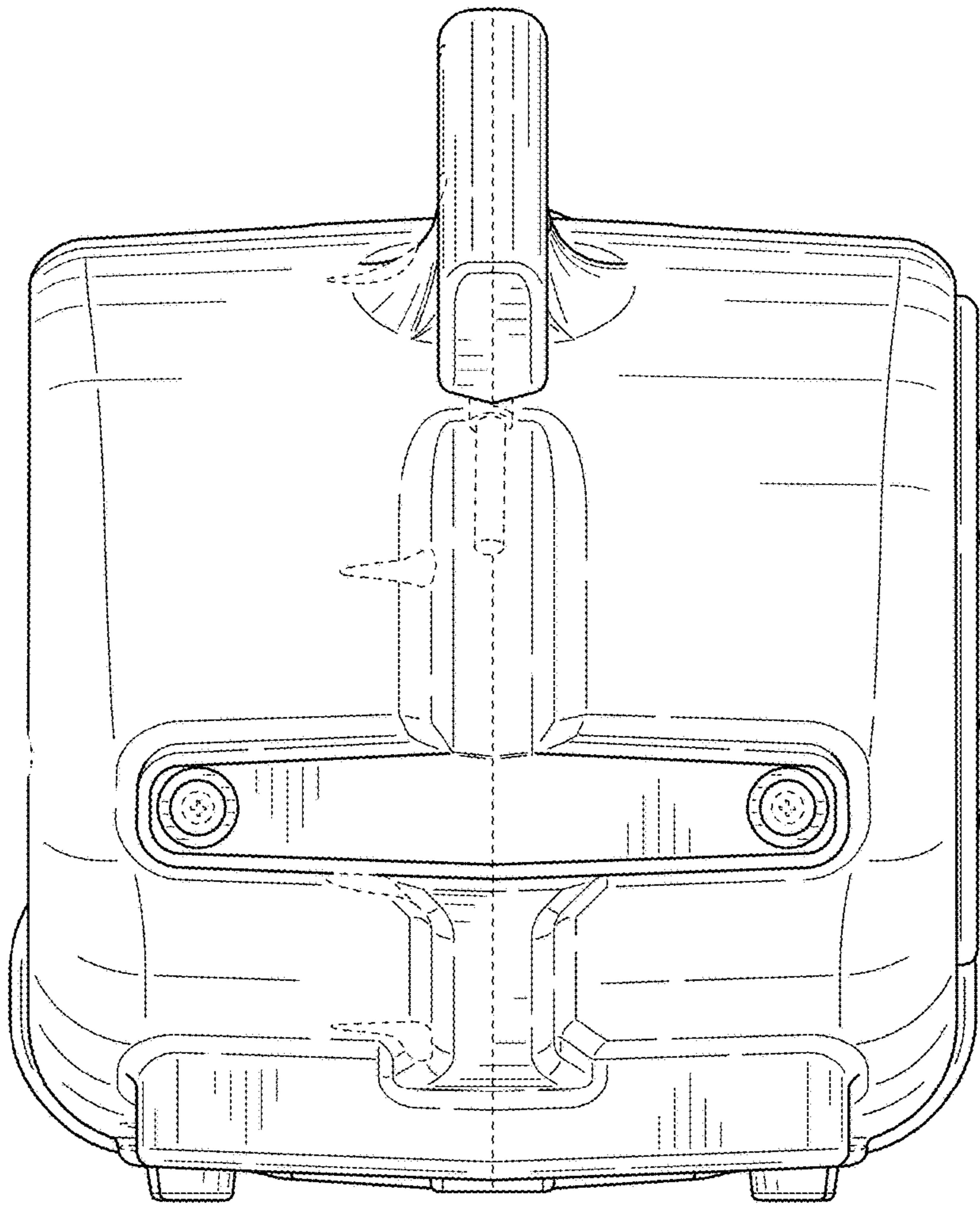


FIG. 3

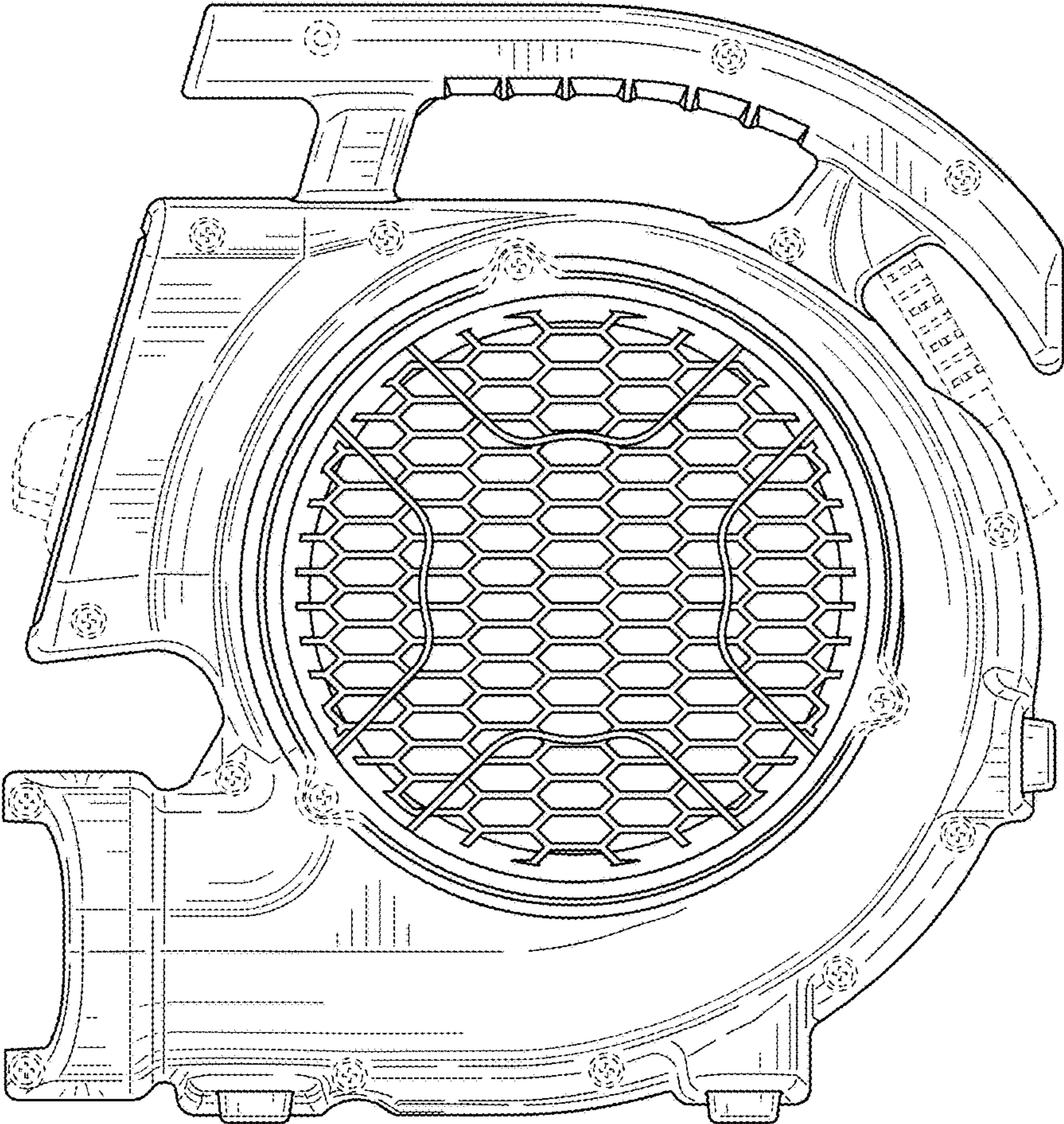


FIG. 4

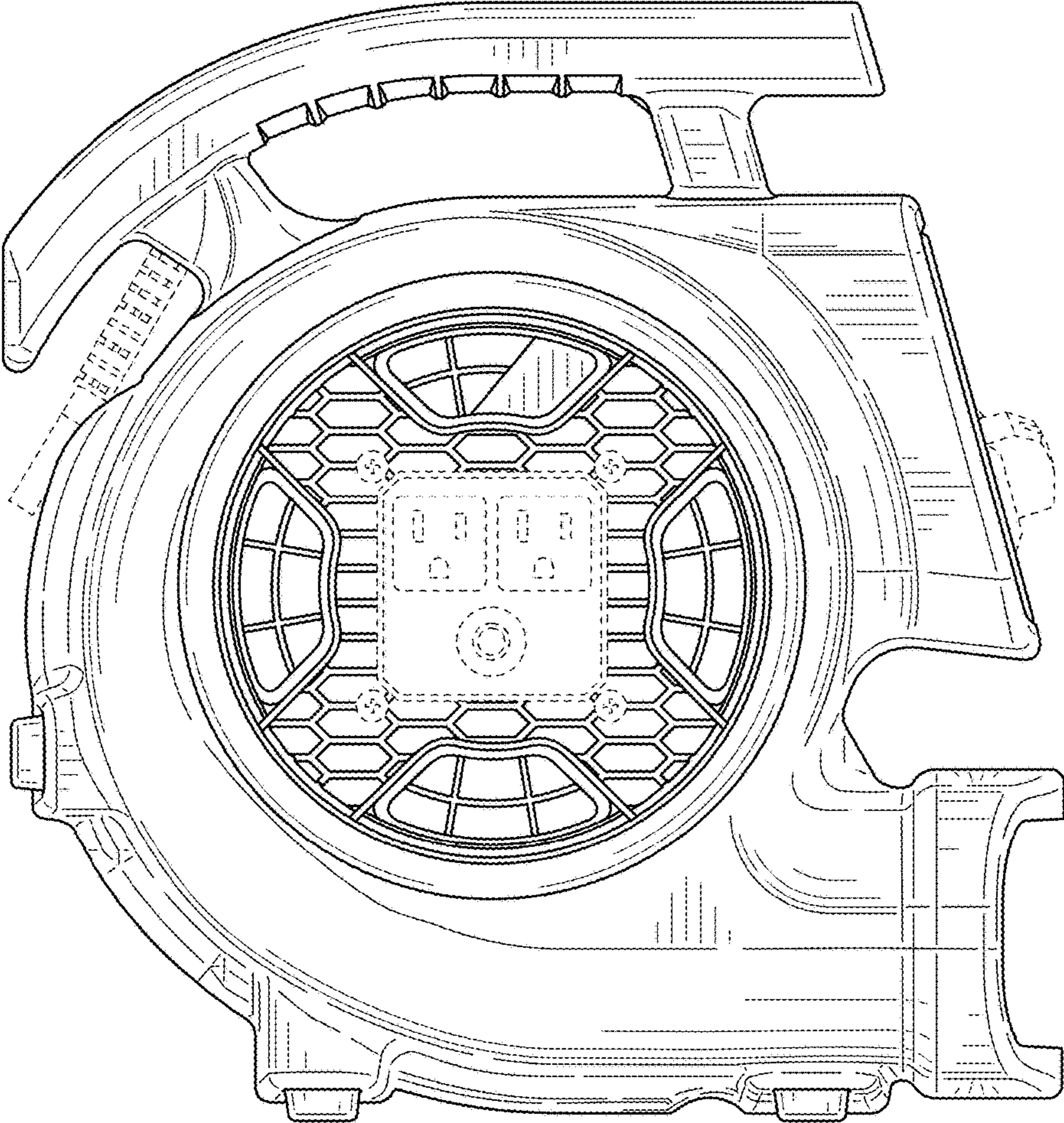


FIG. 5

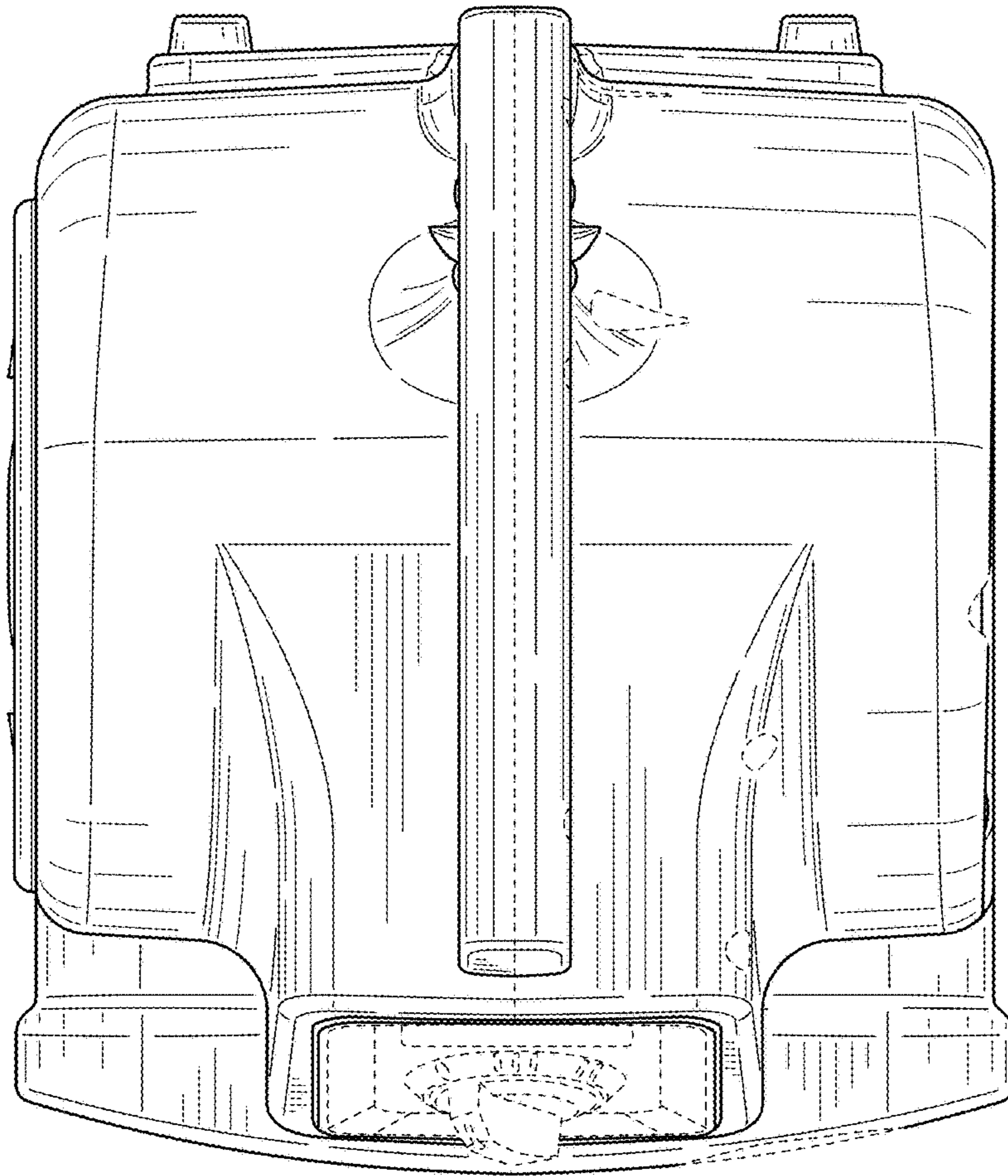


FIG. 6

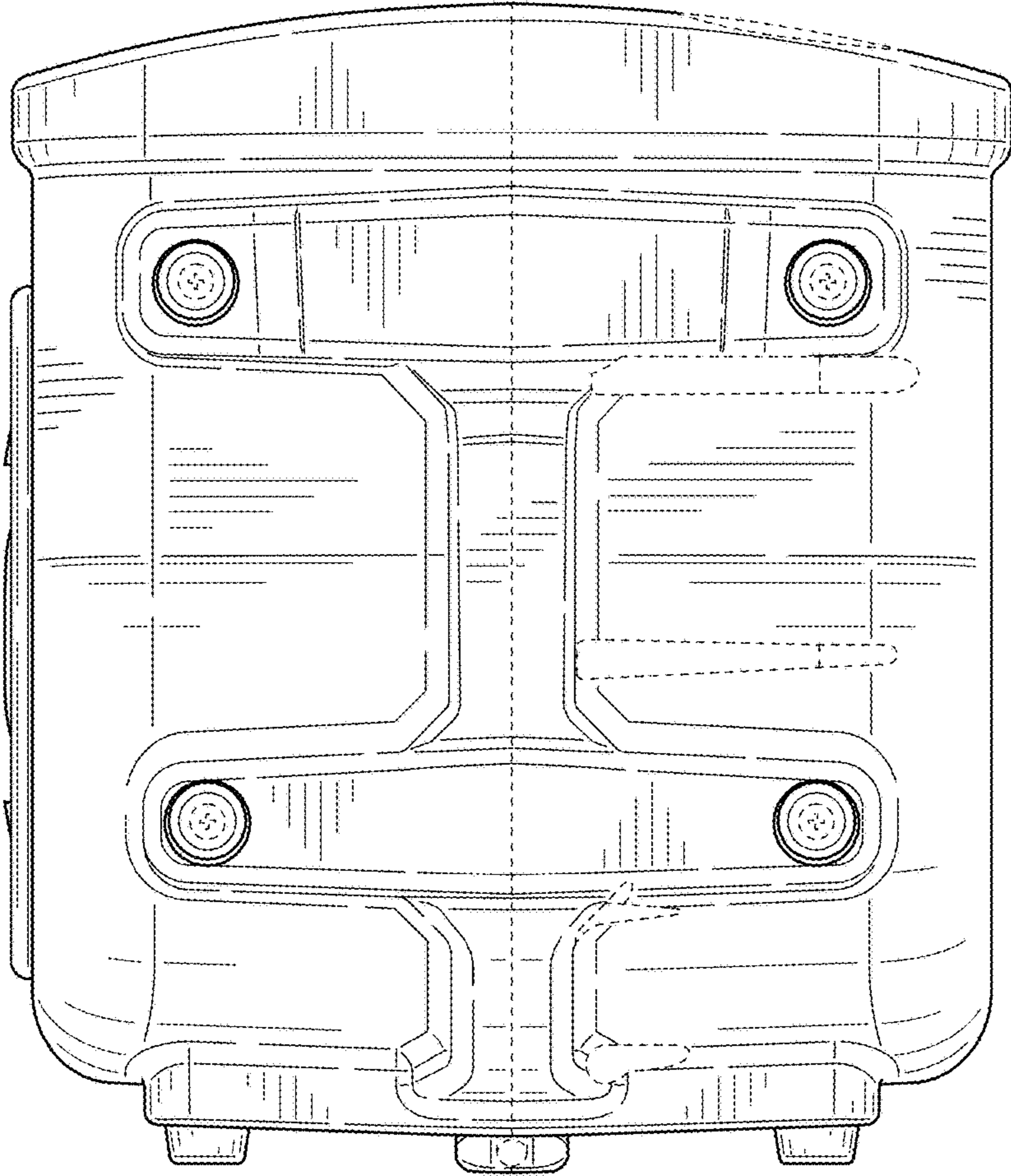


FIG. 7