



US00D849923S

(12) **United States Design Patent** (10) **Patent No.:** **US D849,923 S**
Gobber et al. (45) **Date of Patent:** **** May 28, 2019**

- (54) **AIR FRESHENER**
- (71) Applicant: **ZOBELE HOLDING SPA**, Trento (IT)
- (72) Inventors: **Cedric Gobber**, Barcelona (ES);
Joaquim Llorente Alonso, Barcelona (ES)
- (73) Assignee: **ZOBELE HOLDING S.P.A.**, Trento (IT)
- (**) Term: **15 Years**
- (21) Appl. No.: **29/655,254**
- (22) Filed: **Jul. 2, 2018**

9/22; B01D 46/00; B01D 46/0002; B01D 46/20; F02M 35/04; F24F 13/20; A62B 21/00

See application file for complete search history.

(56) **References Cited**

U.S. PATENT DOCUMENTS

D669,569 S *	10/2012	Levake	D23/366
D673,666 S *	1/2013	Gordon	D23/366
D721,428 S *	1/2015	Donovan	D23/368
D723,150 S *	2/2015	Furner	D23/366
D748,238 S *	1/2016	Mecker	D23/366
D751,683 S *	3/2016	Furner	D23/368
D783,139 S *	4/2017	Muller	D23/366

* cited by examiner

Primary Examiner — Keli L Hill

(74) *Attorney, Agent, or Firm* — Ostrolenk Faber LLP

(57) **CLAIM**

The ornamental design for air freshener, as shown and described.

DESCRIPTION

FIG. 1 is a bottom view illustration of an air freshener, according to an aspect of our new design.
 FIG. 2 is a left side view illustration thereof.
 FIG. 3 is a right side view illustration thereof.
 FIG. 4 is a top view illustration thereof.
 FIG. 5 is top, front and left side perspective view illustration thereof; and,
 FIG. 6 is a front view illustration thereof.

1 Claim, 6 Drawing Sheets

Related U.S. Application Data

- (62) Division of application No. 35/502,078, filed on Jun. 14, 2016 (U.S. filing date under 35 U.S.C. 384), and having an international filing date of Jun. 14, 2016, now Pat. No. Des. 825,732.

Foreign Application Priority Data

- Dec. 15, 2015 (ES) D0522446
- (51) **LOC (11) Cl.** **23-99**
- (52) **U.S. Cl.**
USPC **D23/368**
- (58) **Field of Classification Search**
USPC D23/207, 208, 360, 364-369, 388;
D22/119, 122
CPC A61L 9/00; A61L 9/02; A61L 9/03; A61L 9/034; A61L 9/04; A61L 9/12; A61L 9/032; A61L 9/122; A61L 9/127; A61L

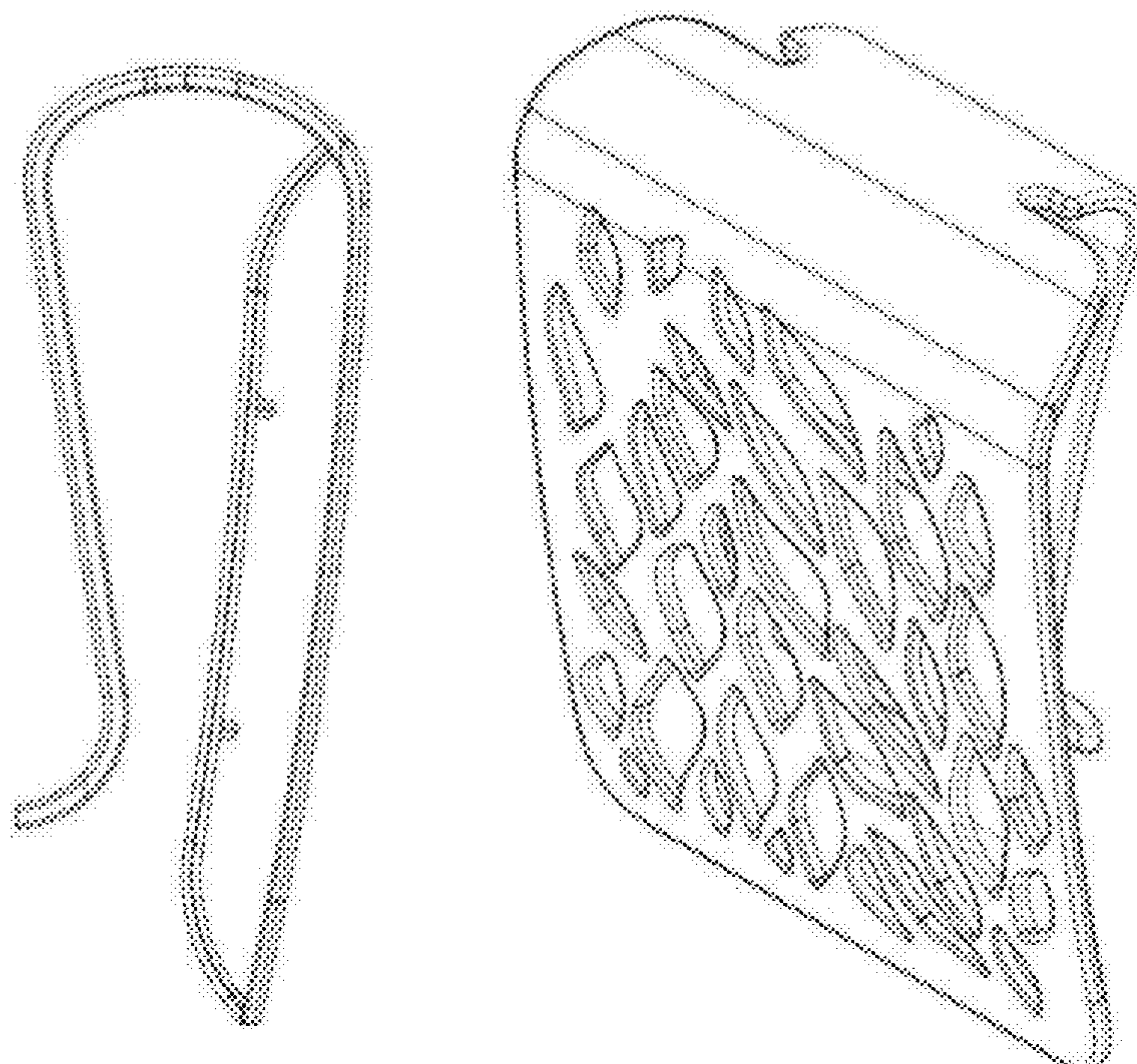


FIG. 1

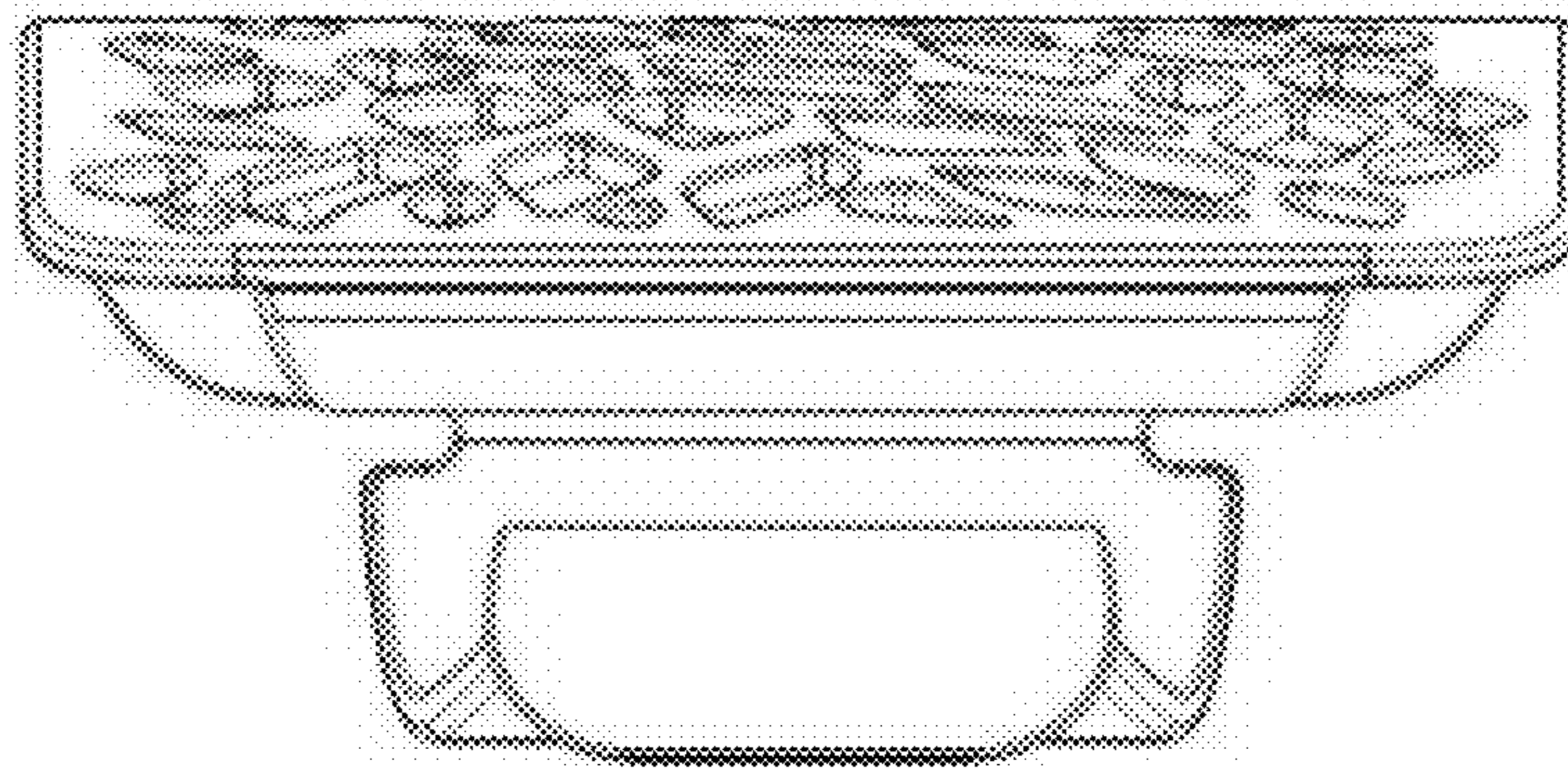


FIG. 2

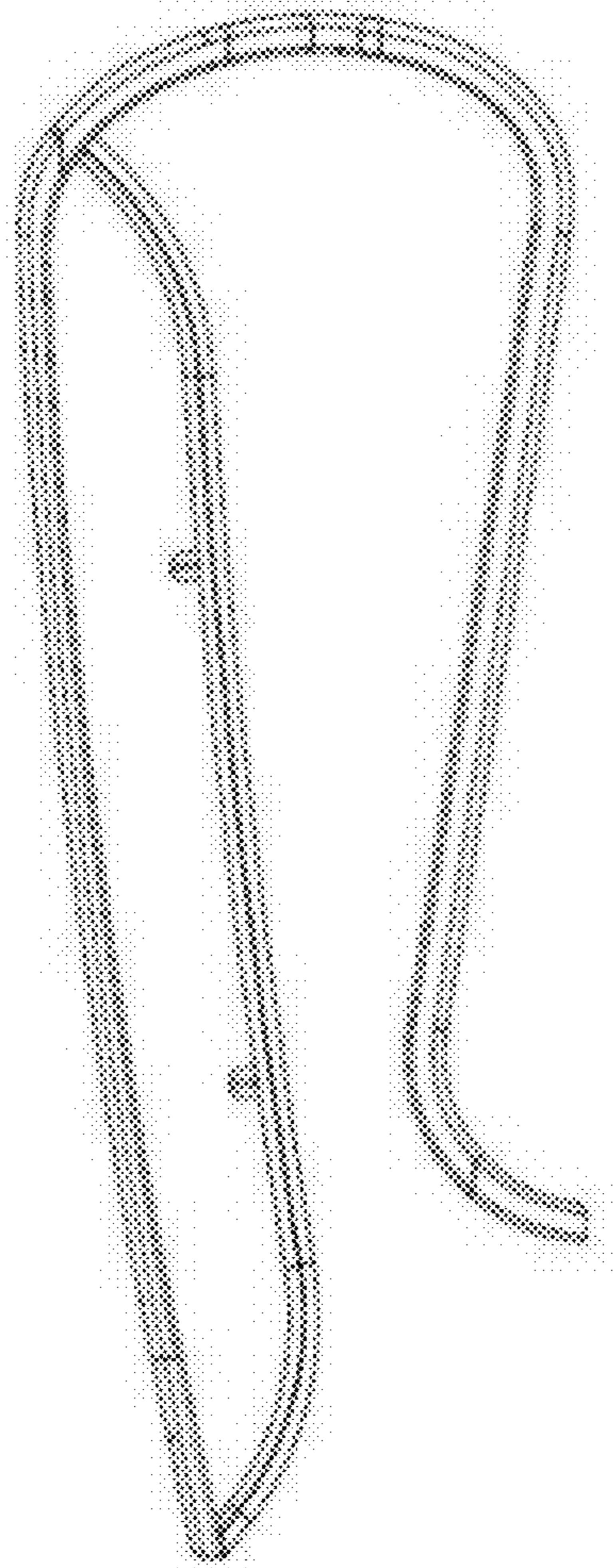


FIG. 3

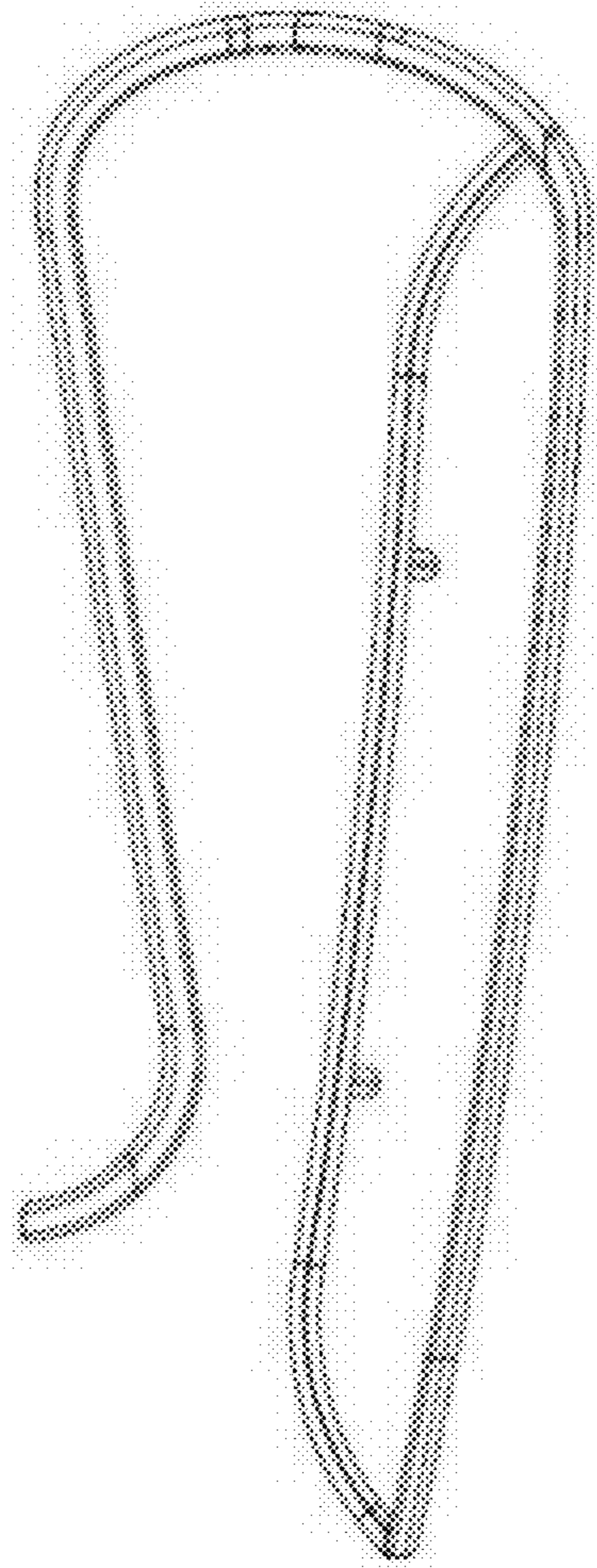


FIG. 4

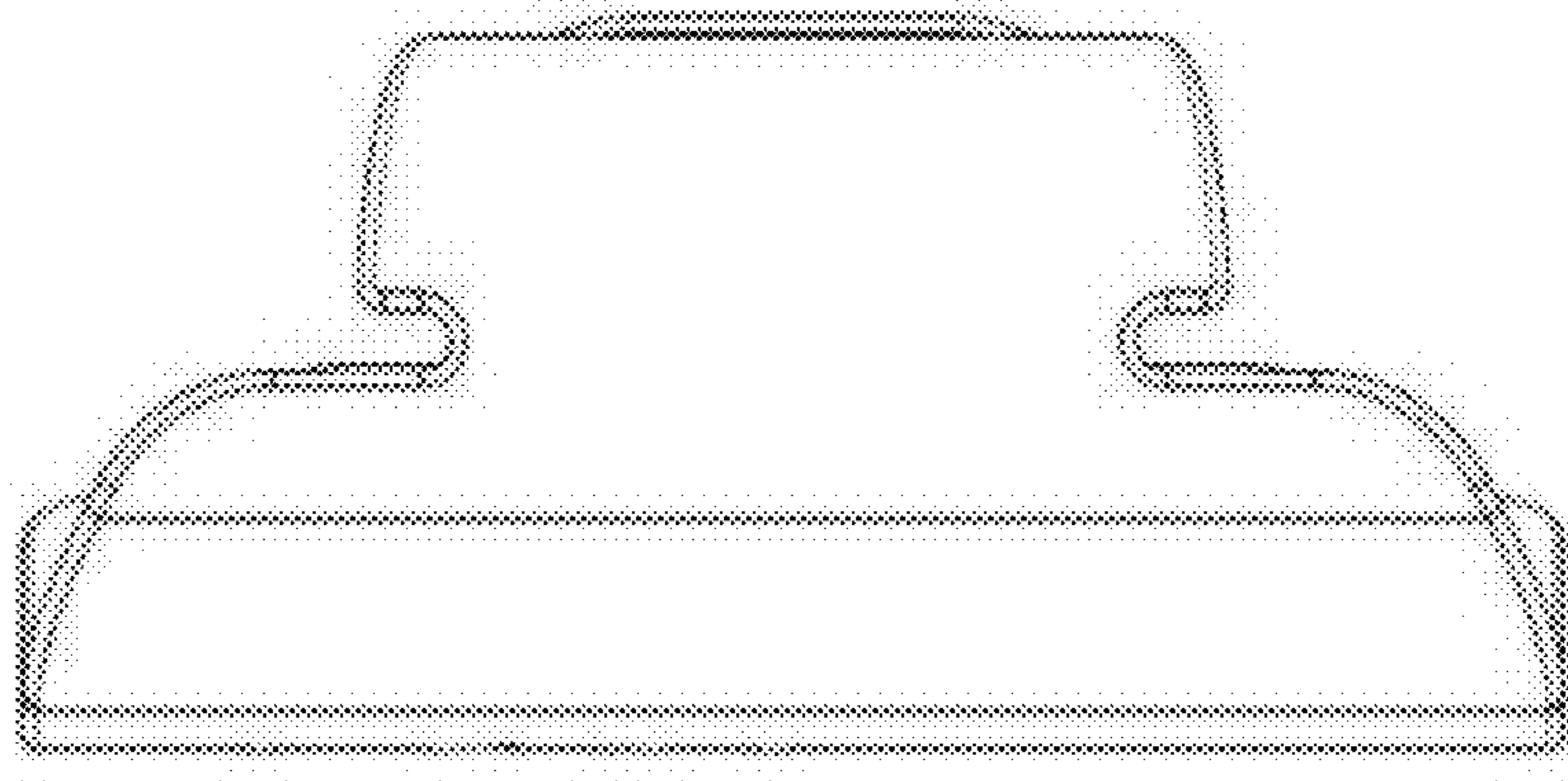


FIG. 5

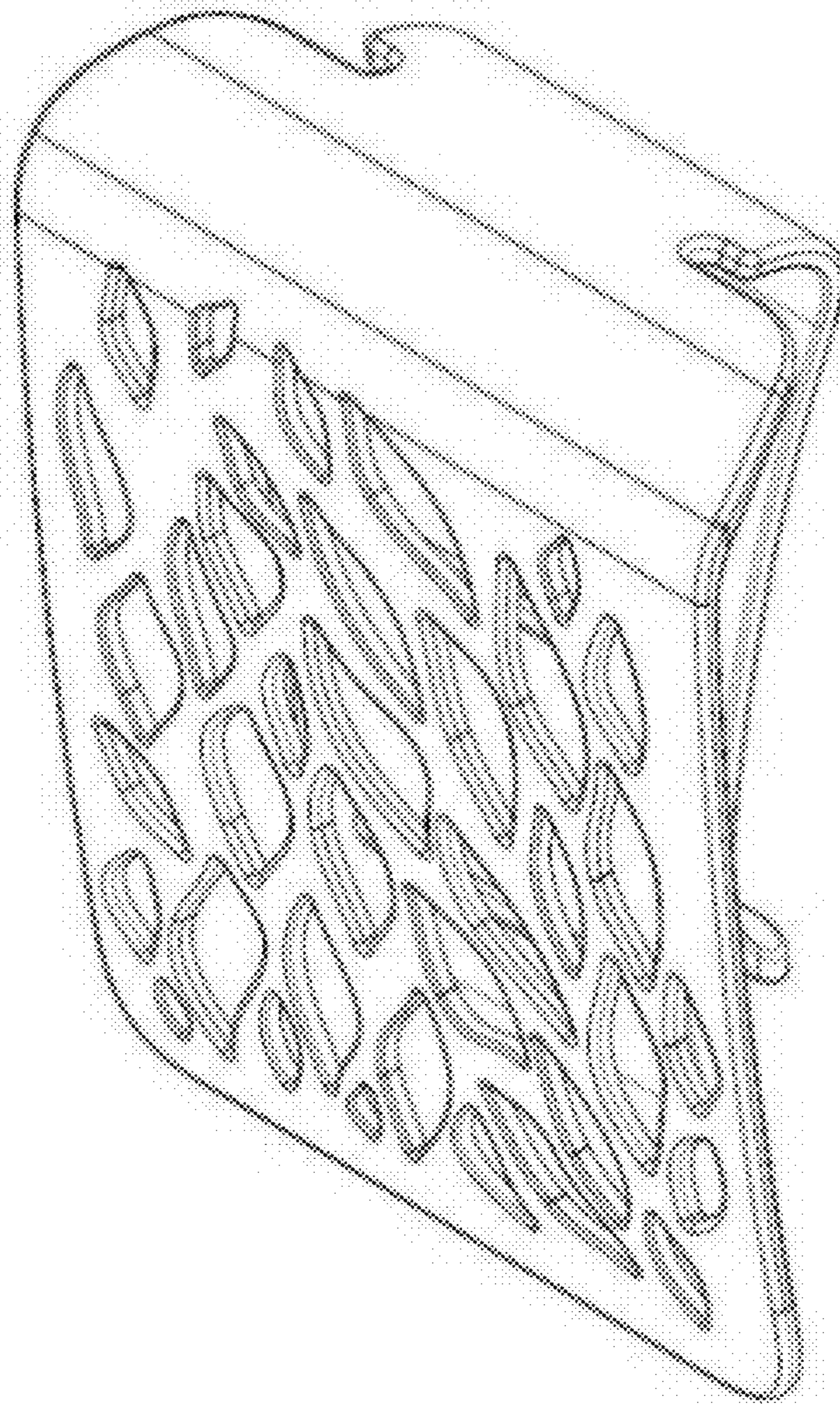


FIG. 6

