



US00D849922S

(12) **United States Design Patent**  
**Gobber et al.**

(10) **Patent No.:** **US D849,922 S**

(45) **Date of Patent:** **\*\* May 28, 2019**

(54) **AIR FRESHENER**

9/22; B01D 46/00; B01D 46/0002; B01D 46/20; F02M 35/04; F24F 13/20; A62B 21/00

(71) Applicant: **ZOBELE HOLDING SPA**, Trento (IT)

See application file for complete search history.

(72) Inventors: **Cedric Gobber**, Barcelona (ES);  
**Joaquim Llorente Alonso**, Barcelona (ES); **Åsa Jonsson**, Trento (IT)

(56) **References Cited**

U.S. PATENT DOCUMENTS

(73) Assignee: **ZOBELE HOLDING S.P.A.**, Trento (IT)

D660,407 S *	5/2012	Tebe Poves	.....	D23/366
D663,816 S *	7/2012	Tebe Poves	.....	D23/366
D677,774 S *	3/2013	Postma	.....	D23/360
D698,431 S *	1/2014	Garbusi	.....	D23/366
D734,445 S *	7/2015	Huang	.....	D23/364
D748,324 S *	1/2016	Choi	.....	D27/163
D816,823 S *	5/2018	Gobber	.....	D23/366
D825,047 S *	8/2018	Brooks	.....	D23/366

(\*\*) Term: **15 Years**

\* cited by examiner

(21) Appl. No.: **35/503,921**

*Primary Examiner* — Keli L Hill

(22) Filed: **May 10, 2017**

(74) *Attorney, Agent, or Firm* — Ostrolenk Faber LLP

(80) **Hague Agreement Data**

Int. Filing Date: **May 10, 2017**

Int. Reg. No.: **DM/095998**

Int. Reg. Date: **May 10, 2017**

Int. Reg. Pub. Date: **Nov. 10, 2017**

(57) **CLAIM**

The ornamental design for air freshener, as shown and described.

(30) **Foreign Application Priority Data**

Nov. 10, 2016 (ES) ..... D0524413

(51) **LOC (11) Cl.** ..... **23-99**

(52) **U.S. Cl.**  
USPC ..... **D23/366**

(58) **Field of Classification Search**  
USPC ..... D23/207, 208, 360, 364–369, 388;  
D22/119, 122

CPC ..... A61L 9/00; A61L 9/02; A61L 9/03; A61L 9/034; A61L 9/04; A61L 9/12; A61L 9/032; A61L 9/122; A61L 9/127; A61L

**DESCRIPTION**

4. Air Freshener

4.1 is a front elevation view.

4.2 is a bottom plan view.

4.3 is a right side elevation view.

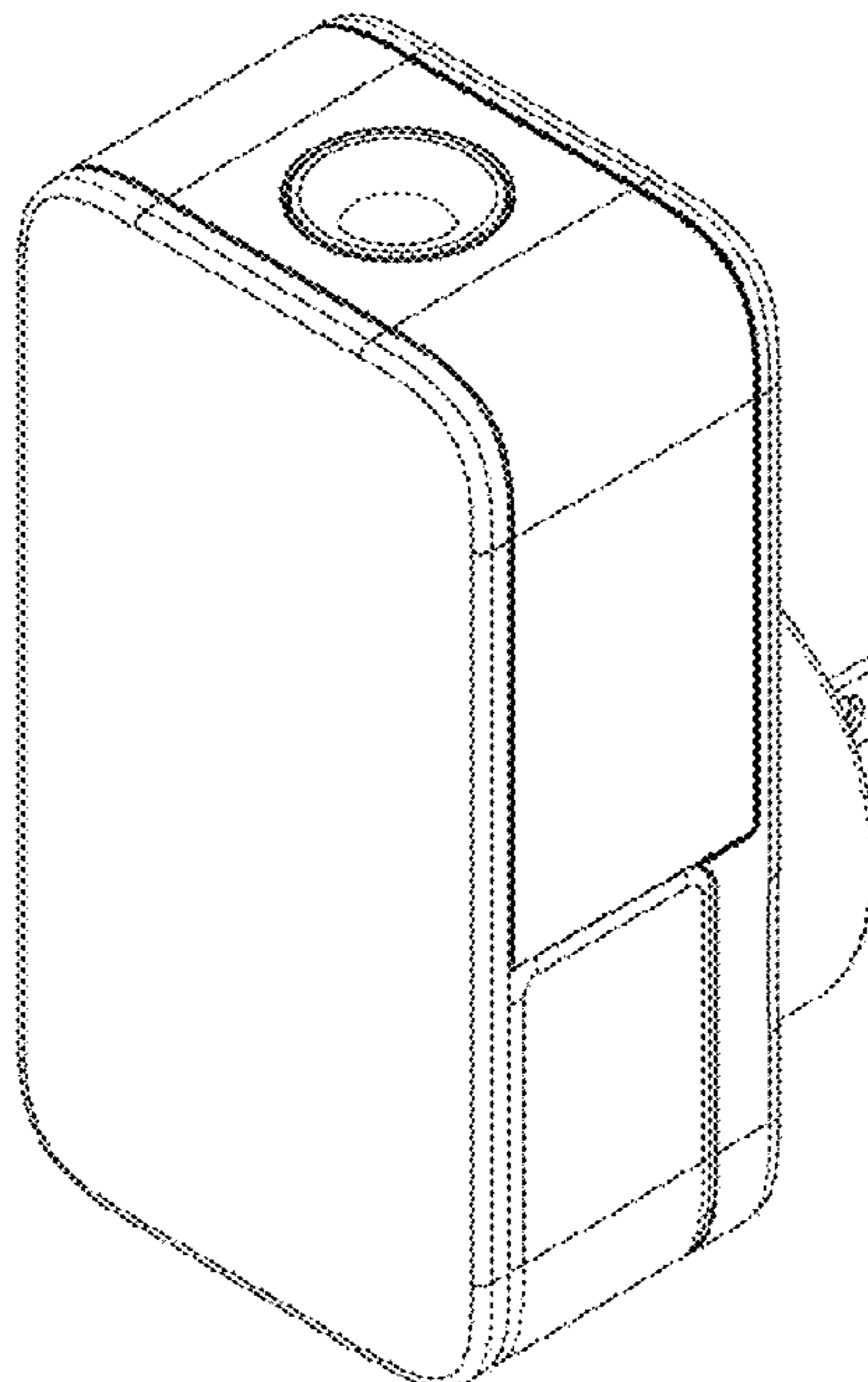
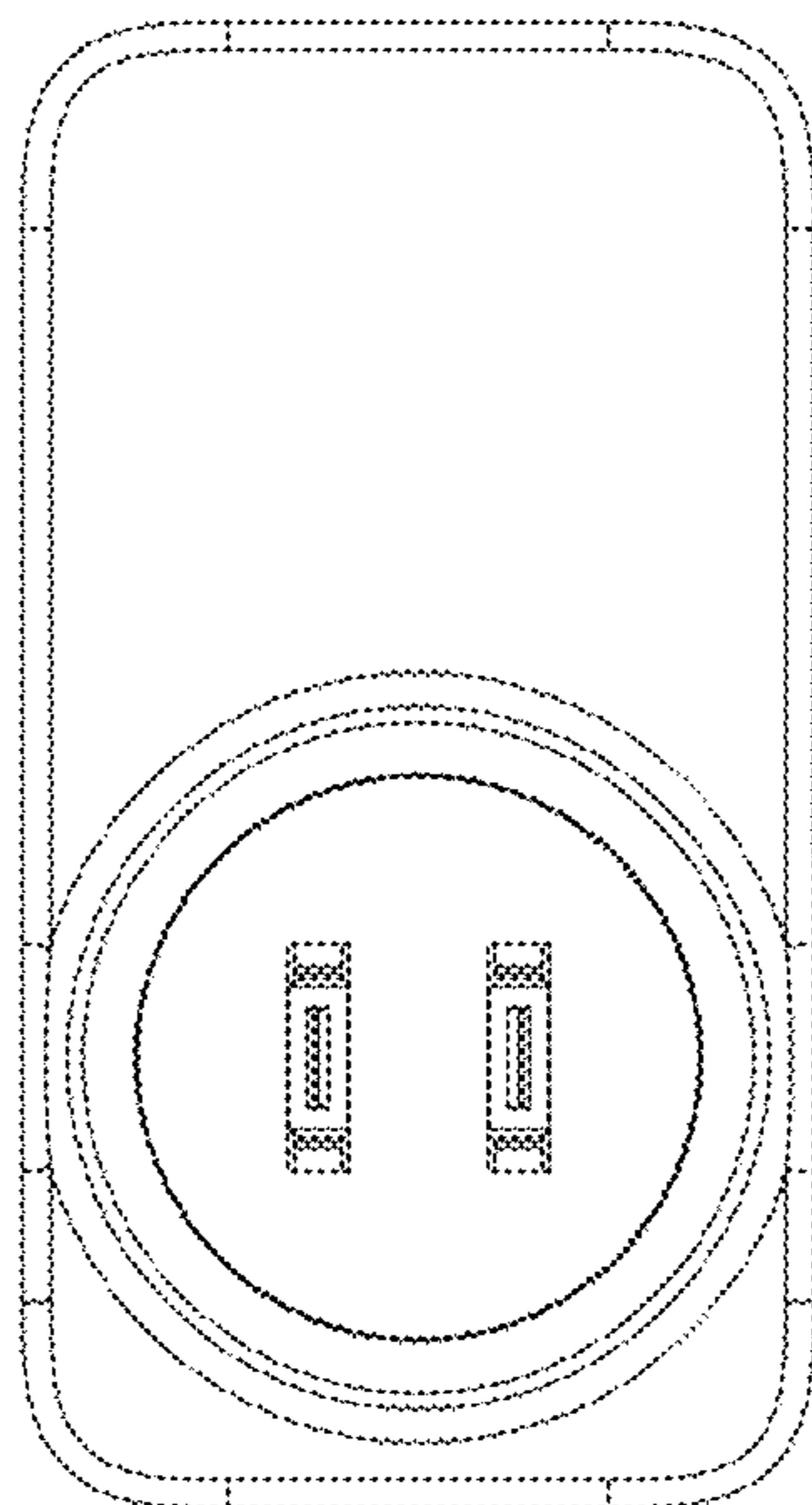
4.4 is a top plan view.

4.5 is a rear elevation view.

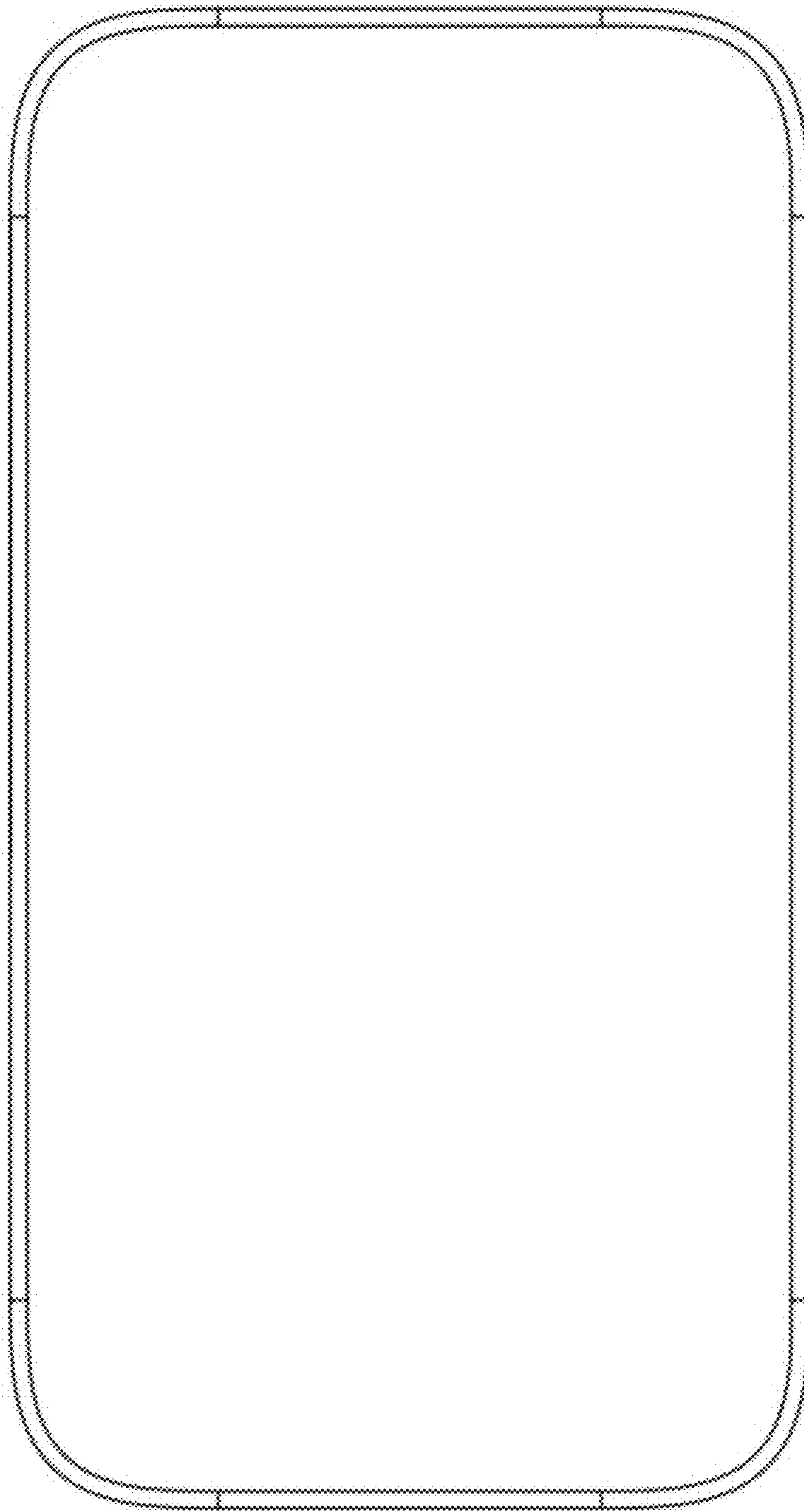
4.6 is a top, front and right side perspective view.

4.7 is a left side elevation view.

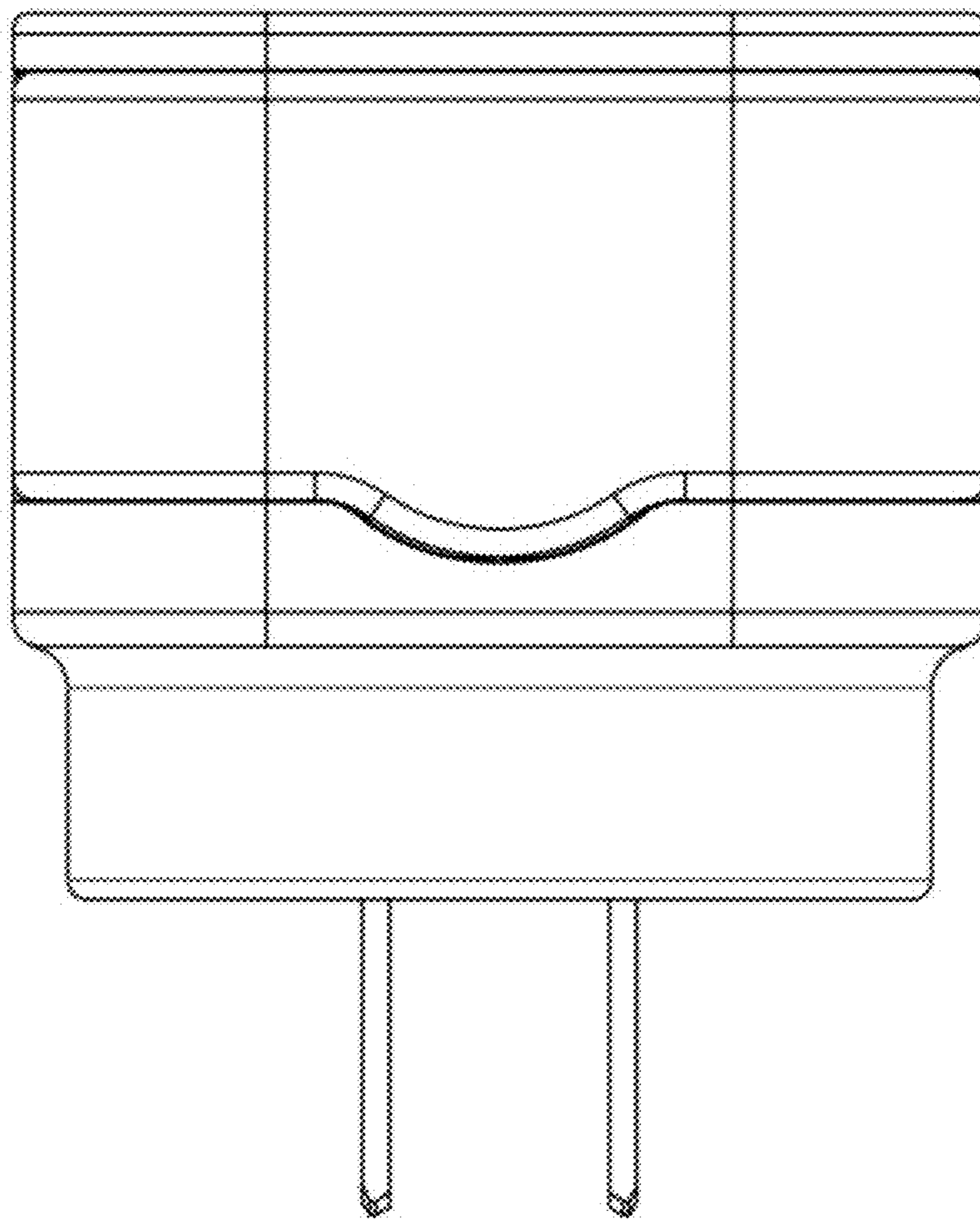
**1 Claim, 7 Drawing Sheets**



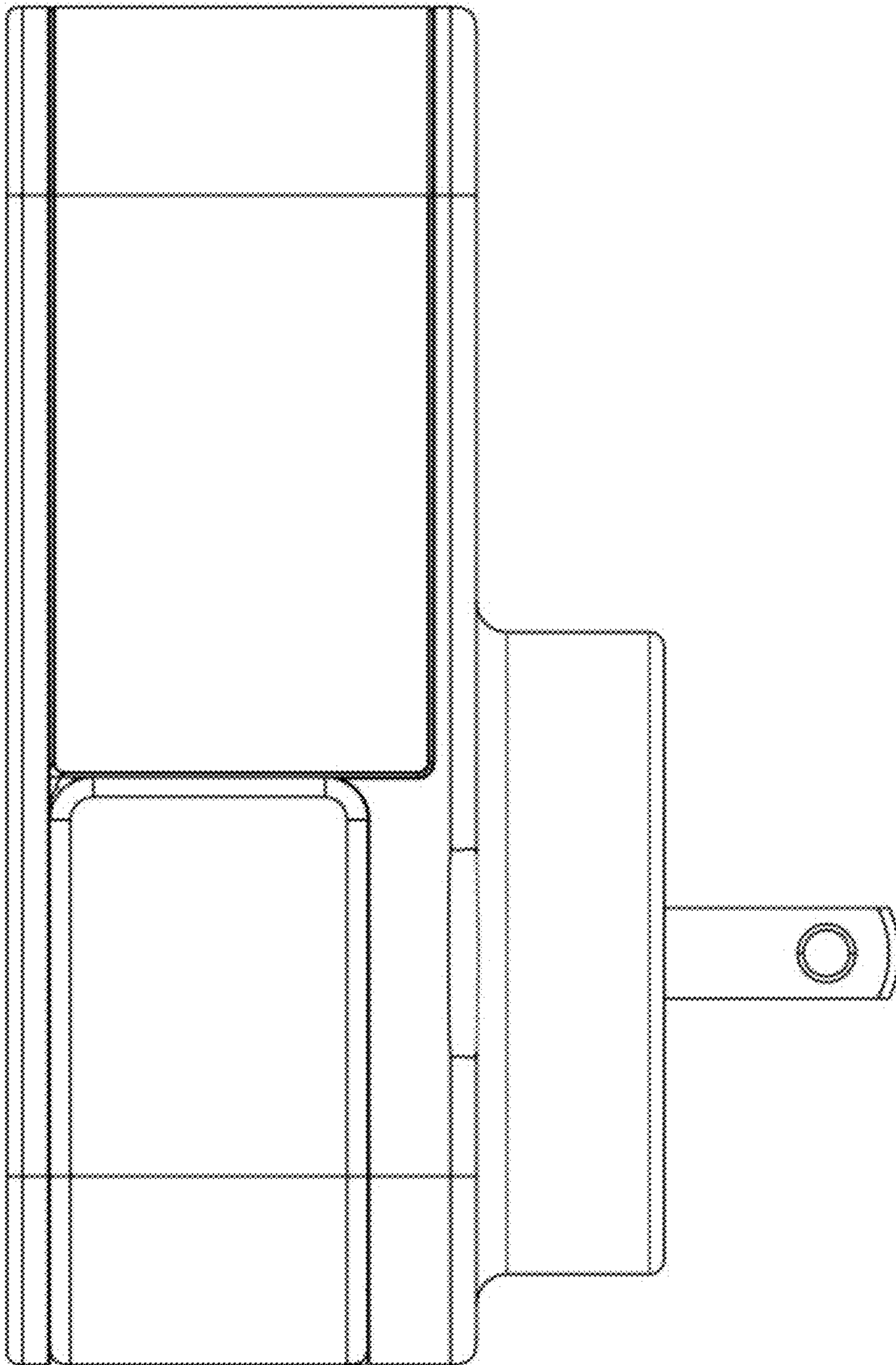
4.1



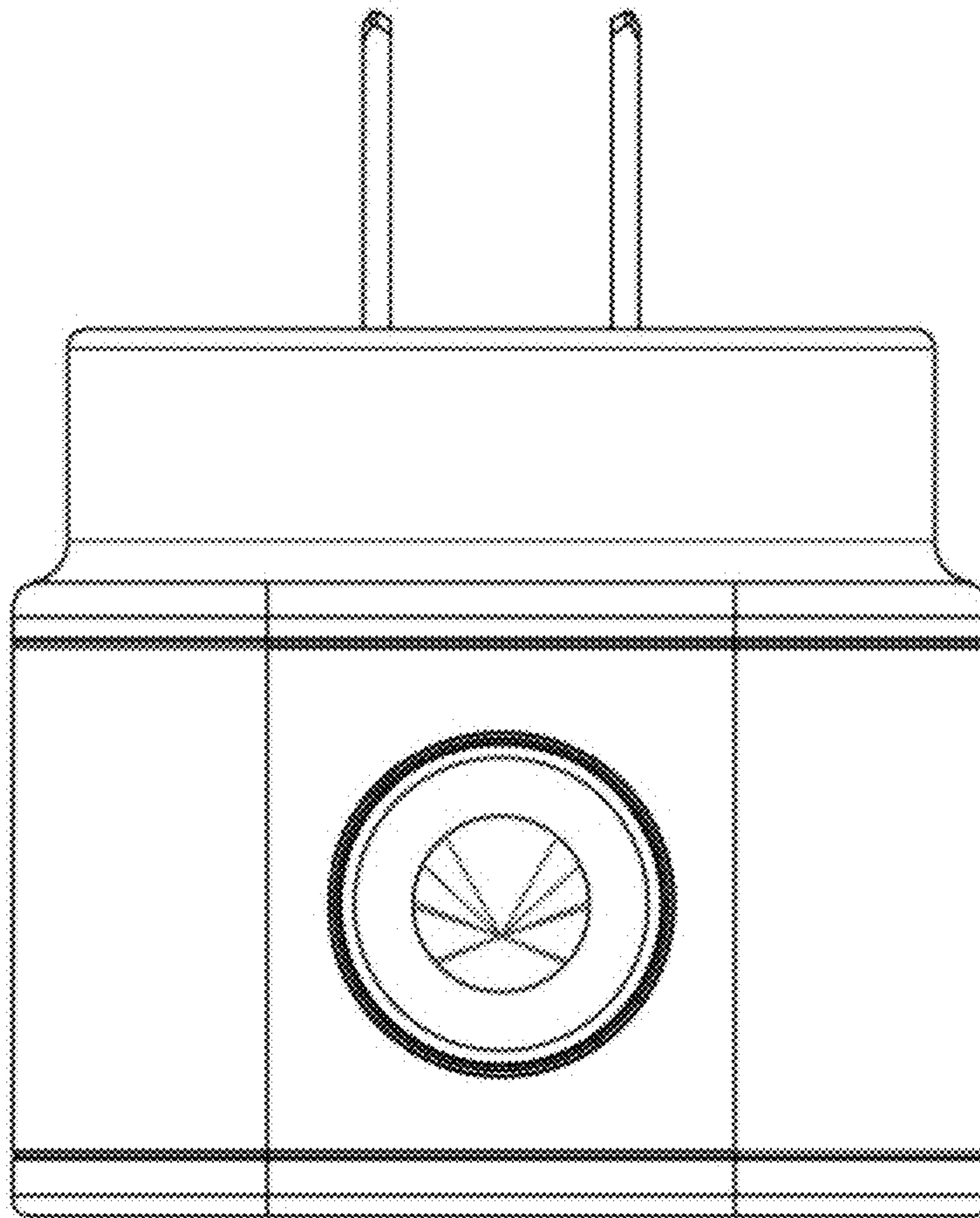
4.2



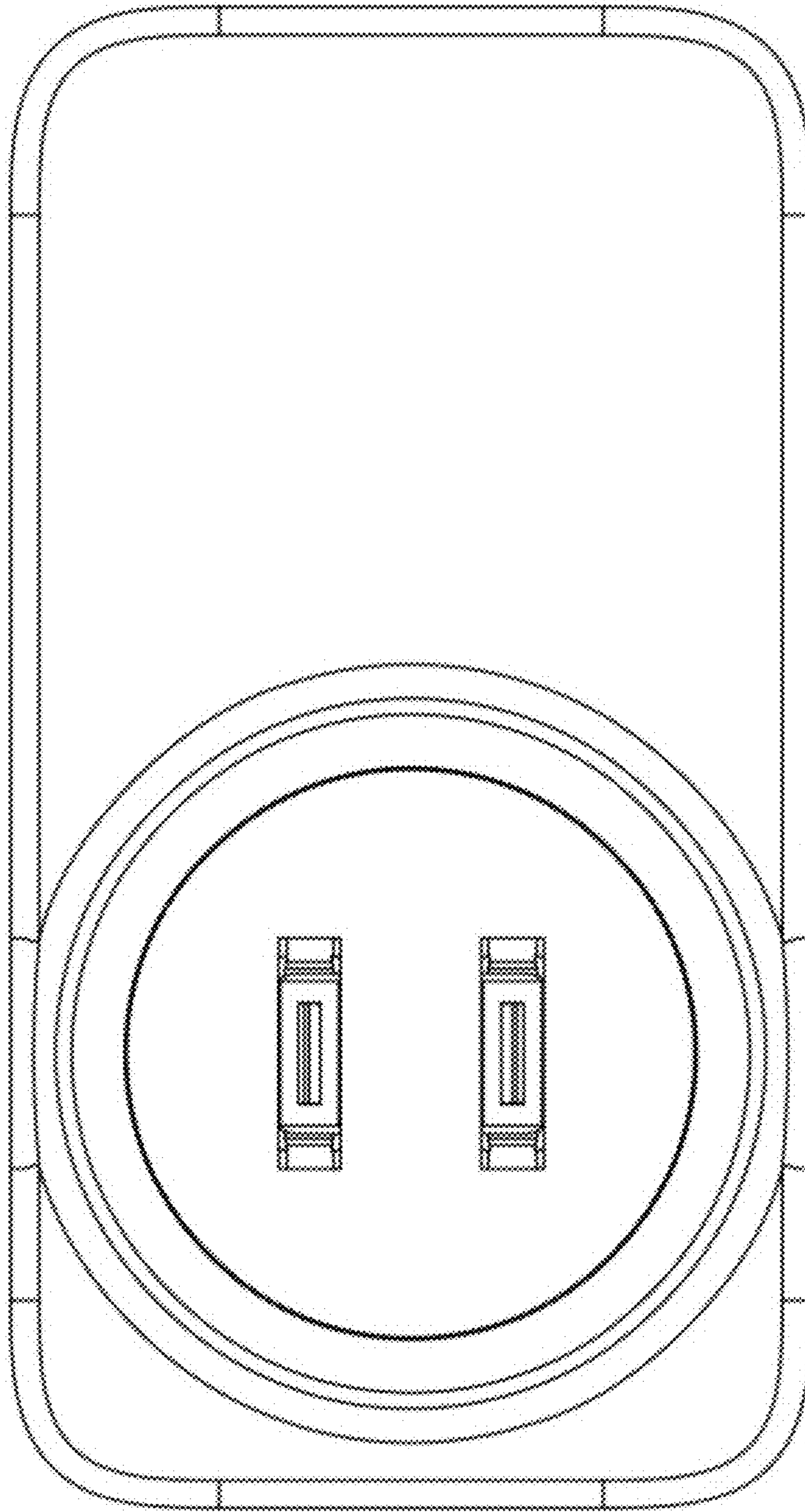
4.3



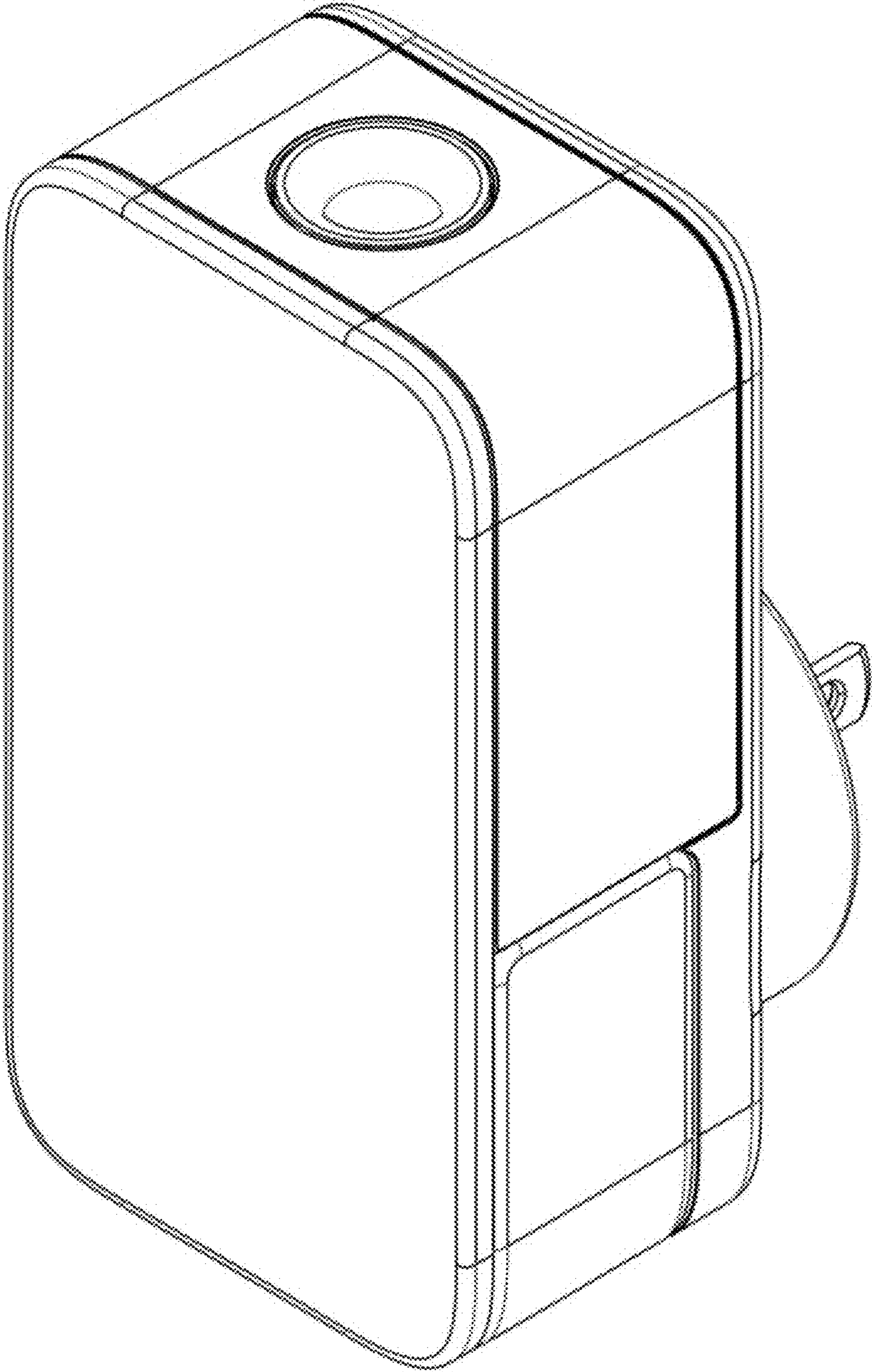
4.4



4.5



4.6



4.7

